



US00D762076S

(12) **United States Design Patent**
Adam et al.

(10) **Patent No.:** **US D762,076 S**
(45) **Date of Patent:** **** Jul. 26, 2016**

(54) **MAGNETIC FIREARM AND MAGAZINE
HOLDER**

D609,516 S * 2/2010 Vining D6/552
D687,247 S * 8/2013 Meeks D6/552
8,727,294 B1 * 5/2014 Harms F41A 23/18
206/317

(71) Applicant: **A Z Industries, Inc.**, Ash Flat, AR (US)

* cited by examiner

(72) Inventors: **Jim Adam**, Ash Flat, AR (US); **Mark
Miller**, Ash Flat, AR (US)

Primary Examiner — Wan Laymon
Assistant Examiner — Mark Booker

(73) Assignee: **AZ Industries, Inc.**, Ash Flat, AR (US)

(**) Term: **14 Years**

(57) **CLAIM**

The ornamental design of the magnetic firearm and magazine holder, as shown.

(21) Appl. No.: **29/503,567**

DESCRIPTION

(22) Filed: **Sep. 26, 2014**

(51) **LOC (10) Cl.** **06-04**

(52) **U.S. Cl.**
USPC **D6/552**

(58) **Field of Classification Search**
USPC D6/552; D22/109, 110; 42/99;
211/13.1, 60.1, 64; 248/206.5, 309.4,
248/467, 537, 683
CPC F41A 23/18; B60R 7/14
See application file for complete search history.

FIG. 1 is a front perspective view of a first embodiment of the magnetic firearm and magazine holder.
FIG. 2 is a rear perspective view thereof.
FIG. 3 is a front view thereof.
FIG. 4 is a side view taken along a longer side thereof.
FIG. 5 is a side view taken along a shorter side thereof.
FIG. 6 is a rear view thereof.
FIG. 7 is a front perspective view of a second embodiment of the magnetic firearm and magazine holder.
FIG. 8 is a rear perspective view thereof.
FIG. 9 is a front view thereof.
FIG. 10 is a side view taken along a longer side thereof.
FIG. 11 is a side view taken along a shorter side thereof; and,
FIG. 12 is a rear view thereof.

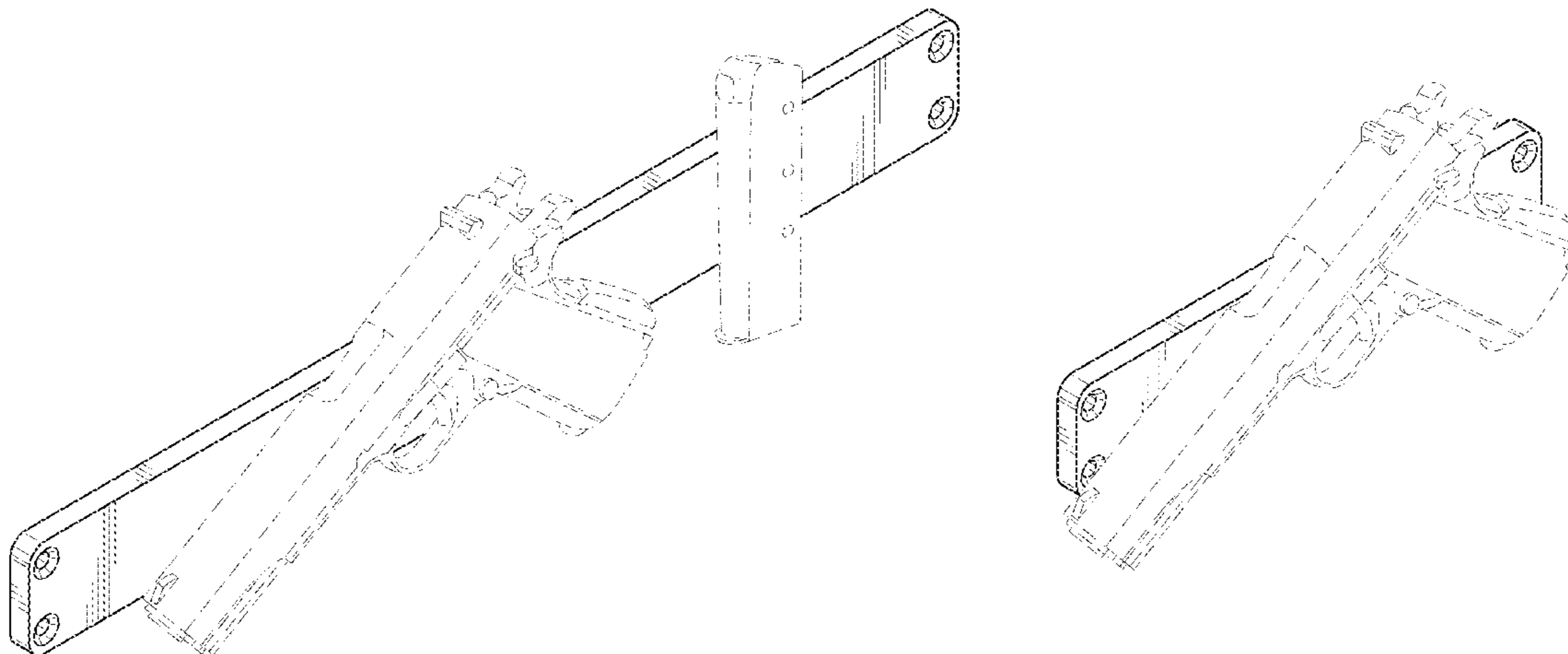
(56) **References Cited**

U.S. PATENT DOCUMENTS

4,375,268 A * 3/1983 Speck B60R 7/12
211/62
D365,715 S * 1/1996 Zebbedies D6/552
D372,616 S * 8/1996 Cute D6/552
D457,369 S * 5/2002 Fiscus D6/552
D458,789 S * 6/2002 Loika D6/552
D459,625 S * 7/2002 Zebbedies D6/552
D557,541 S * 12/2007 Corbell D6/552

The broken lines shown in FIGS. 1, 2, 7, and 8 indicate a firearm and magazine to provide environment for the design, but form no part of the claimed design.
The invention pertains to an ornamental design for an article of manufacture, which can be scaled to different sizes.

1 Claim, 5 Drawing Sheets



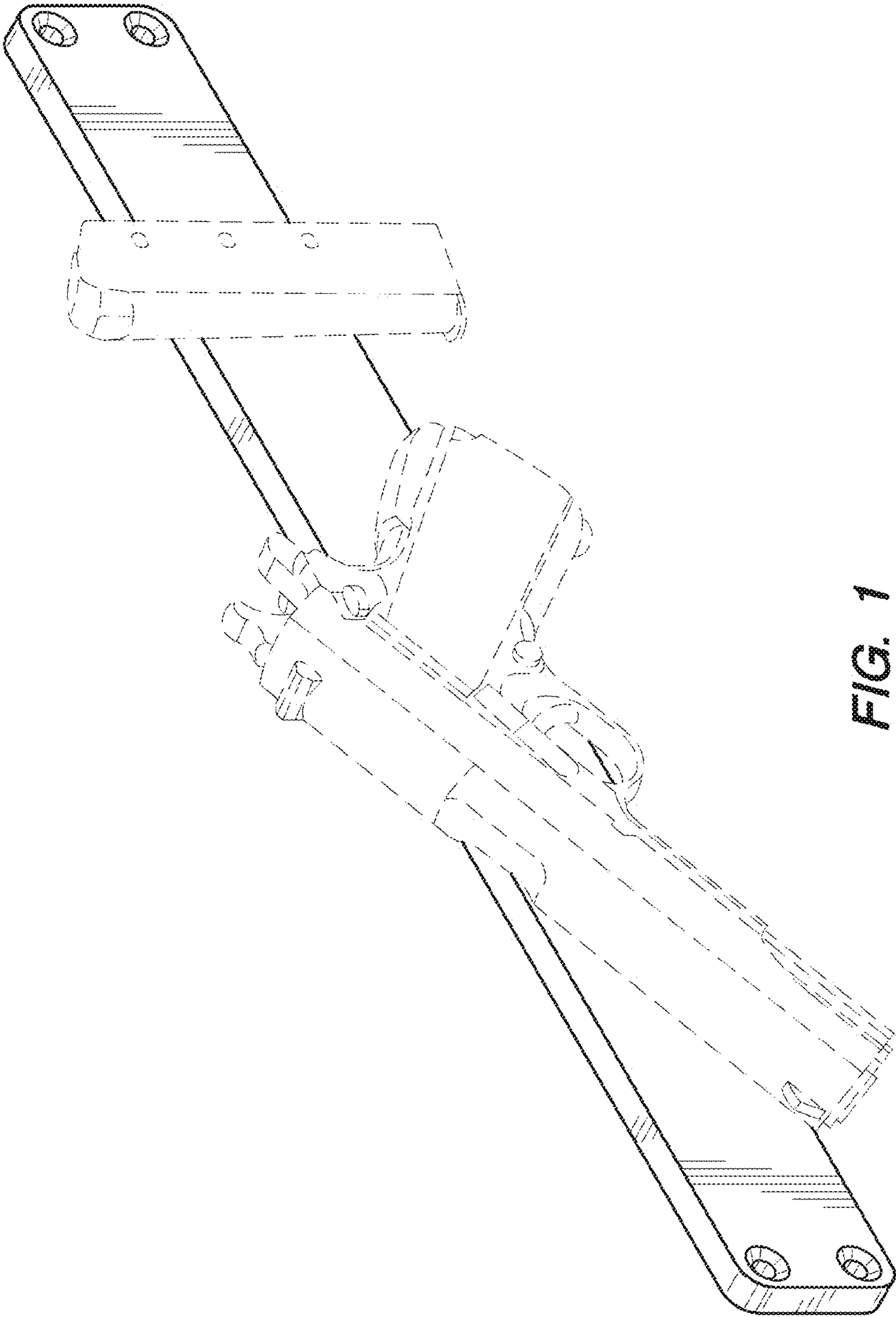


FIG. 1

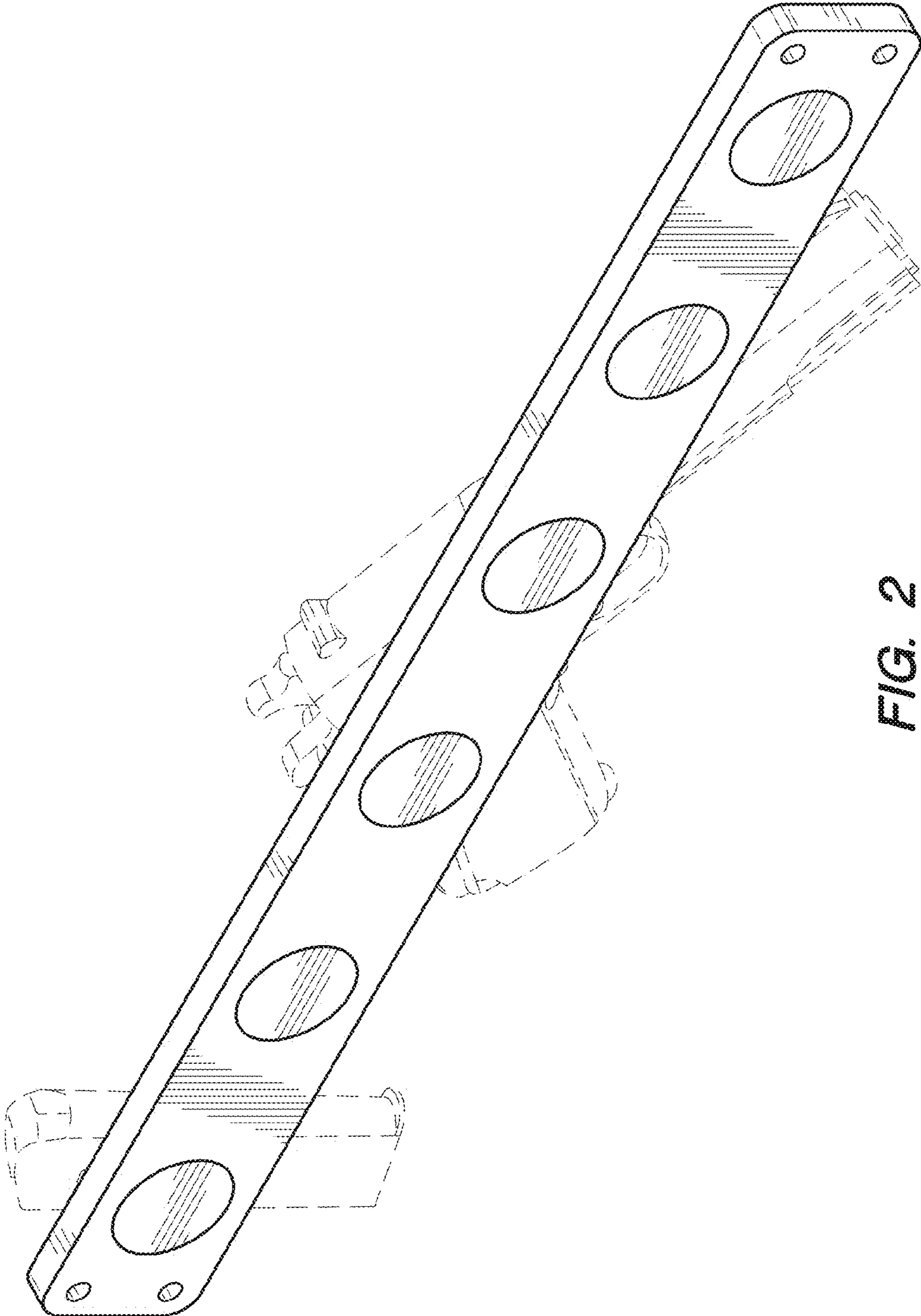


FIG. 2

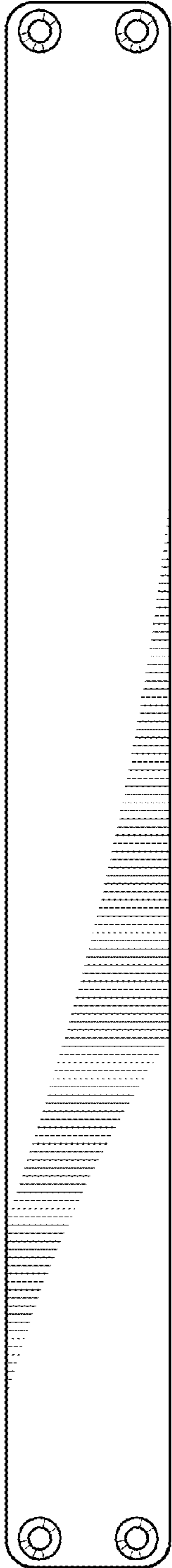


FIG. 3

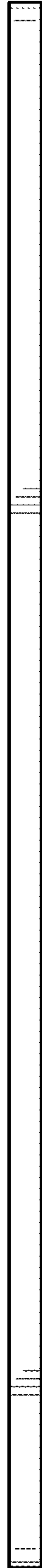


FIG. 4



FIG. 5

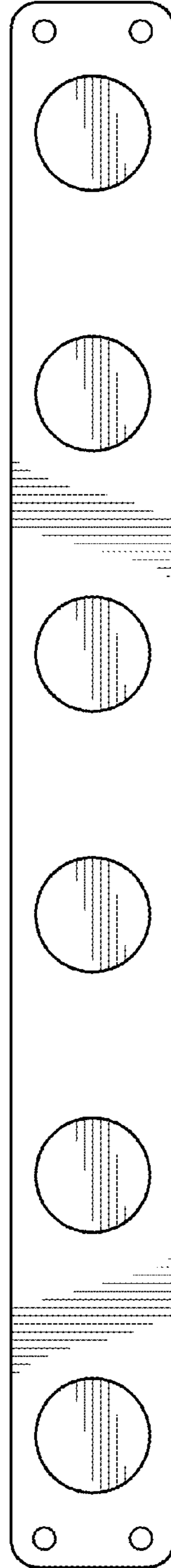


FIG. 6

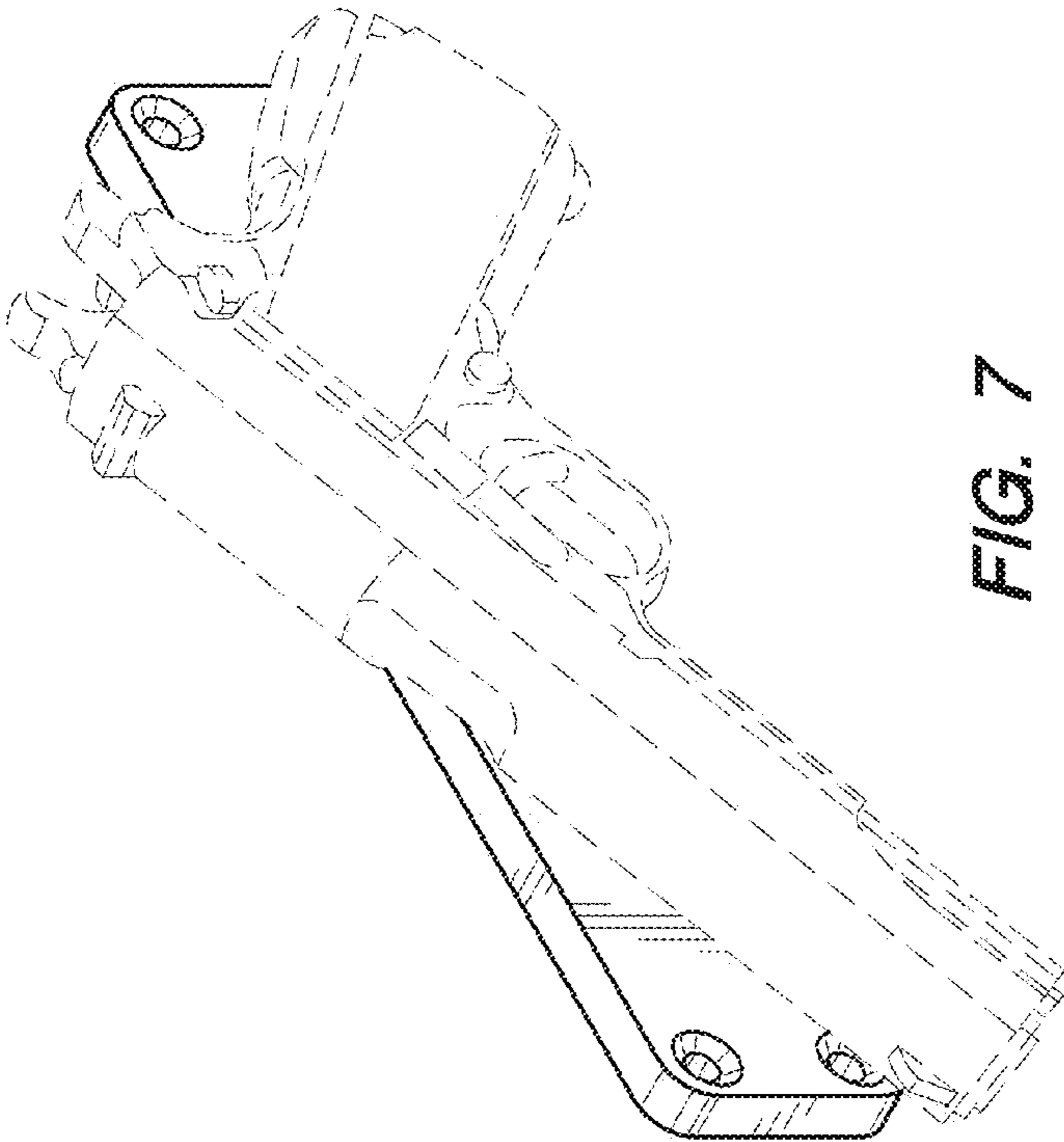


FIG. 7

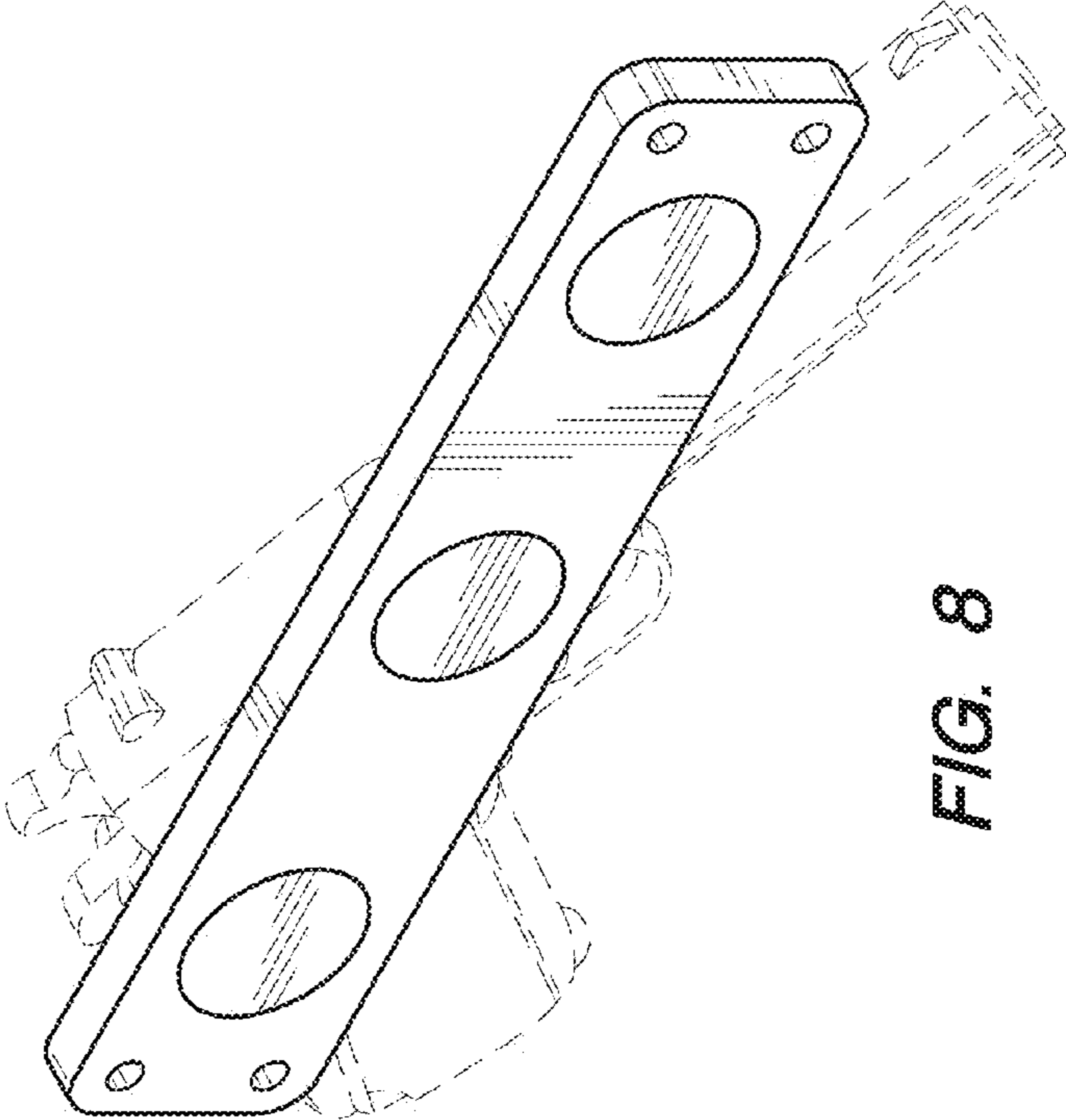


FIG. 8

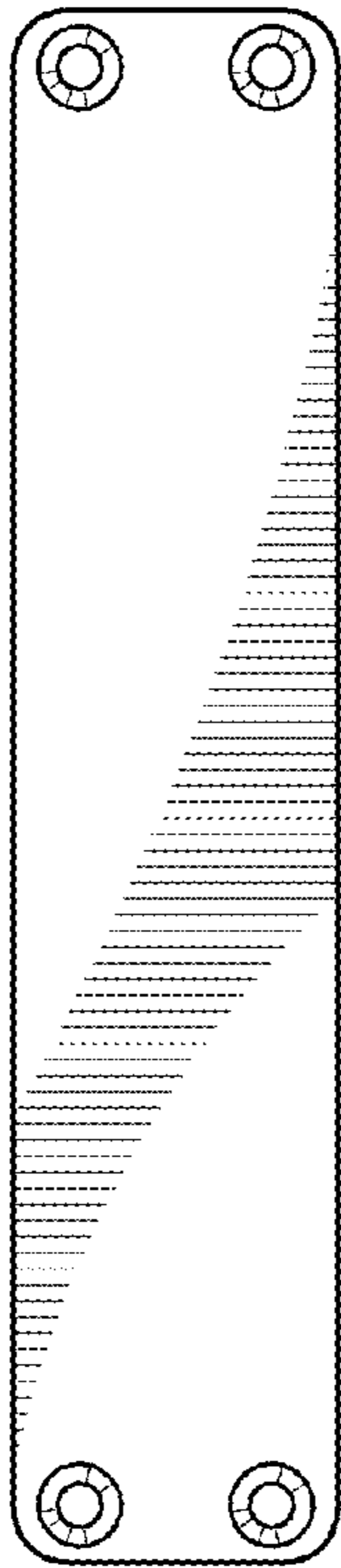


FIG. 9



FIG. 10



FIG. 11

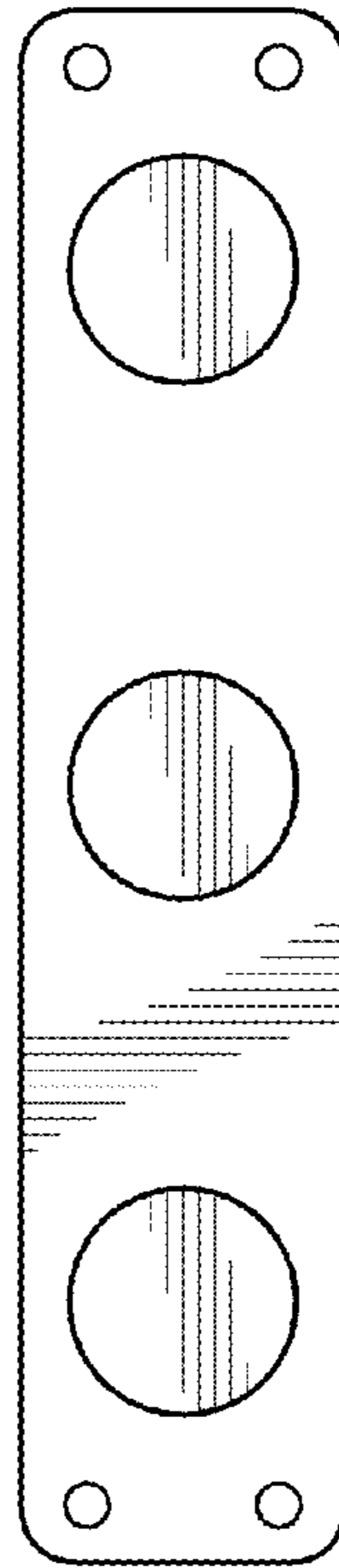


FIG. 12