



US00D762075S

(12) **United States Design Patent**
Beck et al.

(10) **Patent No.:** **US D762,075 S**
(45) **Date of Patent:** **** Jul. 26, 2016**

(54) **DISPENSER**
(71) Applicant: **Sage Products, LLC**, Cary, IL (US)
(72) Inventors: **David Beck**, Crystal Lake, IL (US); **Ron Cagle**, Crystal Lake, IL (US)
(73) Assignee: **Sage Products, LLC**, Cary, IL (US)
(**) Term: **15 Years**
(21) Appl. No.: **29/527,790**

6,883,563 B2 * 4/2005 Smith A47K 5/1202
141/102
D511,301 S * 11/2005 Jones D9/698
D512,648 S 12/2005 Smith et al.
D564,087 S * 3/2008 Yodfat D24/108
D571,926 S * 6/2008 Wu D24/215
7,597,122 B1 * 10/2009 Smith A47K 5/1202
141/114
8,020,733 B2 9/2011 Snodgrass
D654,743 S 2/2012 Rospierski
D661,933 S * 6/2012 DelGigante D6/542
D672,251 S * 12/2012 Nukuto D9/562
D674,701 S * 1/2013 Claassen D9/453
8,342,365 B2 * 1/2013 Snodgrass B65D 83/262
222/1

(22) Filed: **May 21, 2015**
(51) **LOC (10) Cl.** **23-02**
(52) **U.S. Cl.**
USPC **D6/542**
(58) **Field of Classification Search**
USPC D6/512, 542, 545; D3/201, 203.1, 205;
D9/719, 739, 517, 696, 729, 731, 733,
D9/521, 398
CPC A47K 10/424; A47K 5/00; A47K 5/06;
A47K 5/12; A47K 5/14; A47K 5/02; B65D
1/00; B65D 1/02; B65D 1/0223; B65D 23/00;
B65D 23/003; B67D 7/303; B67D 3/0029;
B03D 1/14
See application file for complete search history.

(Continued)

Primary Examiner — John Windmuller
Assistant Examiner — Steven Czyz
(74) *Attorney, Agent, or Firm* — Brinks Gilson & Lione

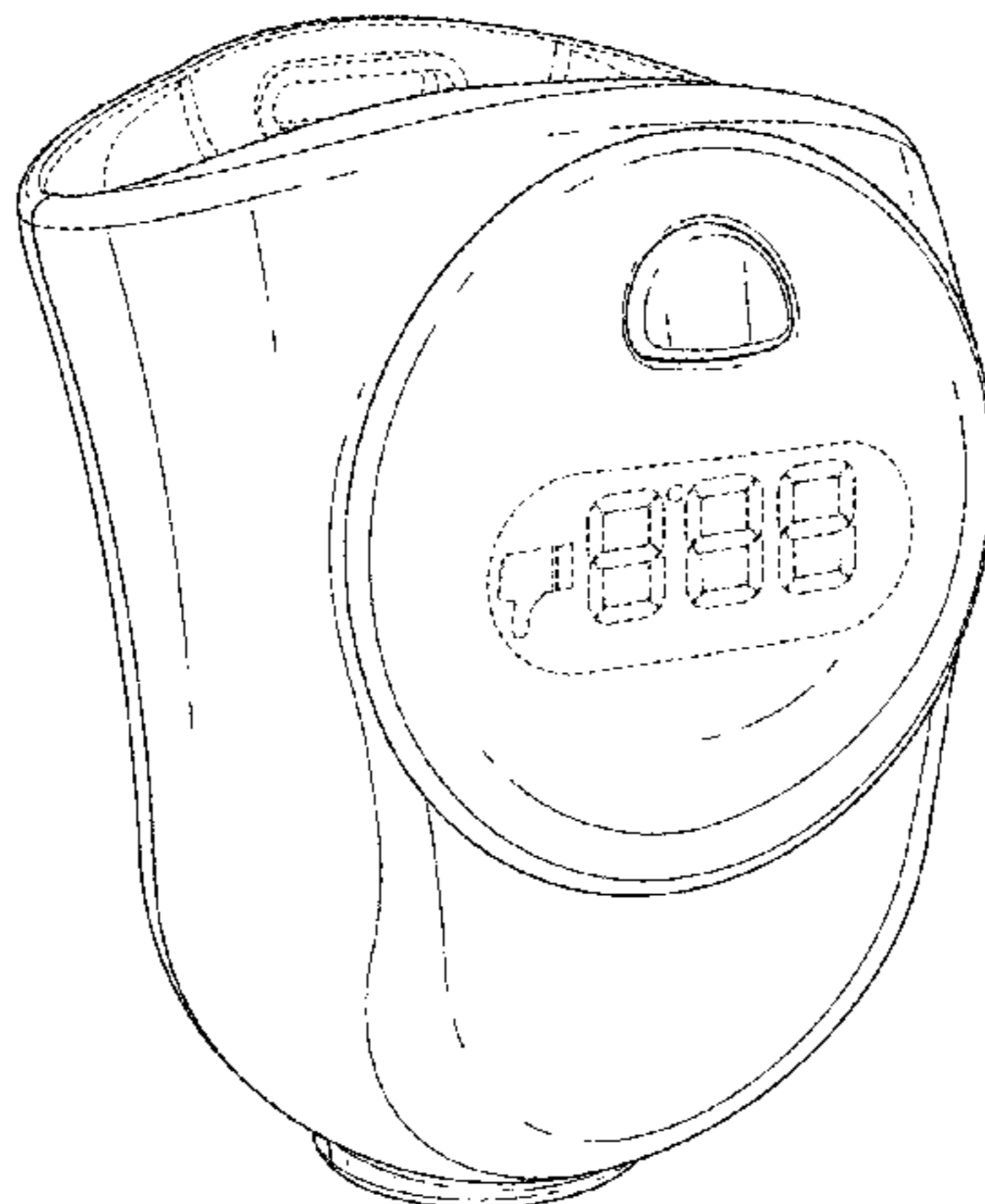
(57) **CLAIM**
We claim the ornamental design for a dispenser, as shown and described.

DESCRIPTION

FIG. 1 is a perspective view of a dispenser of the present invention.
FIG. 2 is a front view thereof.
FIG. 3 is a rear view thereof.
FIG. 4 is a left side view thereof.
FIG. 5 is a right side view thereof.
FIG. 6 is a top view thereof.
FIG. 7 is a bottom view thereof.
FIG. 8 is a perspective view of the dispenser of FIG. 1, shown with an exemplary refill insert;
FIG. 9 is a front view thereof.
FIG. 10 is a rear view thereof.
FIG. 11 is a left side view thereof.
FIG. 12 is a right side view thereof.
FIG. 13 is a top view thereof; and,
FIG. 14 is a bottom view thereof.
The broken lines depict portions of the article that form no part of the claimed design.

(56) **References Cited**
U.S. PATENT DOCUMENTS
D201,261 S 6/1965 Roberts
D291,964 S * 9/1987 Albright D9/440
D323,455 S 1/1992 Eichler
D358,654 S * 5/1995 Smith D24/200
D395,819 S * 7/1998 Fenton D24/121
D396,003 S * 7/1998 Fenton D24/121
D396,009 S * 7/1998 Reubens D9/530
D451,736 S * 12/2001 Mast D6/545
6,347,724 B1 2/2002 Chen et al.
6,431,400 B1 8/2002 O'Maley et al.
D471,047 S * 3/2003 Gordon D6/545
D481,463 S * 10/2003 Cook D24/200
6,766,199 B2 * 7/2004 Cook A61H 7/003
607/150

1 Claim, 6 Drawing Sheets



(56)

References Cited

U.S. PATENT DOCUMENTS

D675,853 S *	2/2013	Bunoz	D6/545	D734,056 S *	7/2015	Davis	D6/542
D682,590 S *	5/2013	Gilboe	D6/545	D734,057 S *	7/2015	Davis	D6/542
D683,227 S	5/2013	Balini		D734,058 S *	7/2015	Davis	D6/542
D683,628 S *	6/2013	Claassen	D9/453	D739,281 S *	9/2015	Payne	D10/80
D693,689 S *	11/2013	Kim	D9/516	2009/0184134 A1	7/2009	Ciavarella et al.	
D697,809 S *	1/2014	de Cleir	D9/521	2010/0094581 A1	4/2010	Cagle	
D713,653 S *	9/2014	Sun Ting Kung	D6/545	2010/0173581 A1	7/2010	Dolan	
D718,045 S *	11/2014	Fasciglione	D3/205	2011/0063106 A1	3/2011	Snodgrass	
D722,270 S *	2/2015	Davis	D9/516	2011/0169643 A1	7/2011	Cartner	
D722,271 S *	2/2015	Davis	D9/521	2011/0169645 A1	7/2011	Cartner et al.	
D730,048 S *	5/2015	Muller	D3/201	2012/0112914 A1 *	5/2012	Wegelin	A47K 5/1217 340/573.1
D731,203 S *	6/2015	Watson	D6/542	2012/0241470 A1	9/2012	Snodgrass et al.	
D731,204 S *	6/2015	Watson	D6/542	2012/0275568 A1	11/2012	Mazor et al.	
D732,307 S *	6/2015	Enga	D6/542	2014/0081653 A1 *	3/2014	Davis	G09F 19/327 705/2
D734,055 S *	7/2015	Davis	D6/542	2015/0134357 A1 *	5/2015	Davis	A61B 90/80 705/2

* cited by examiner

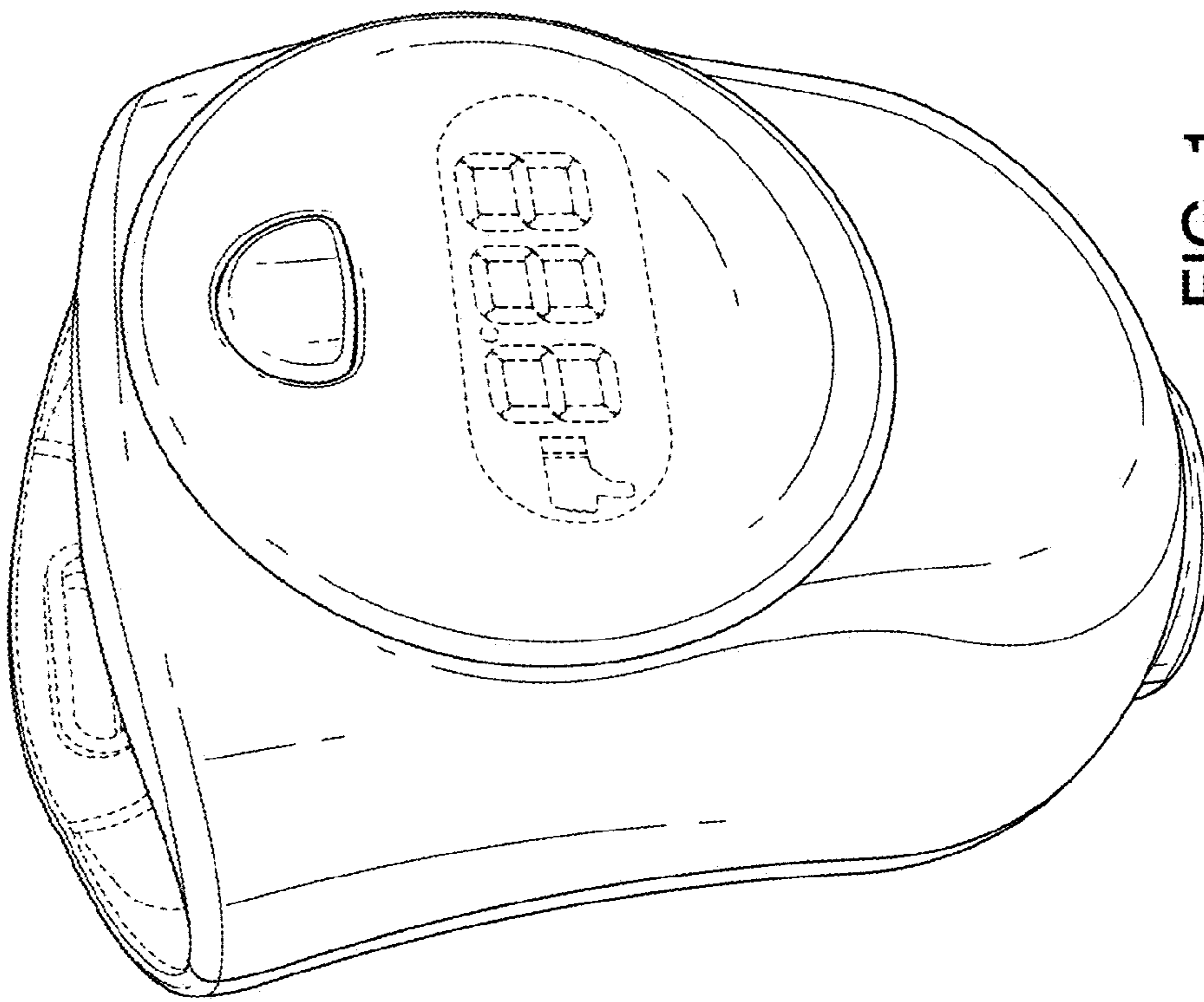


FIG. 1

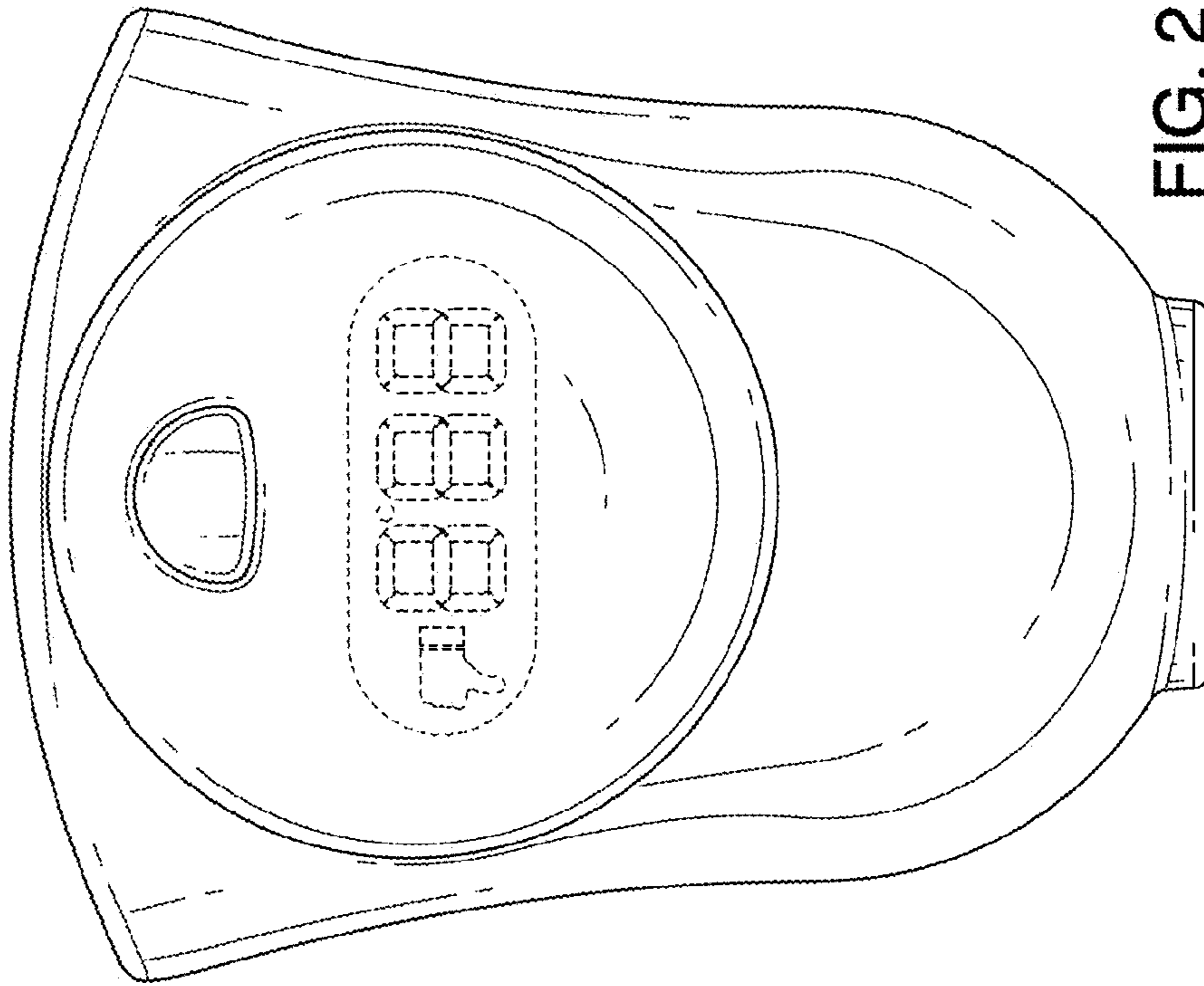


FIG. 2

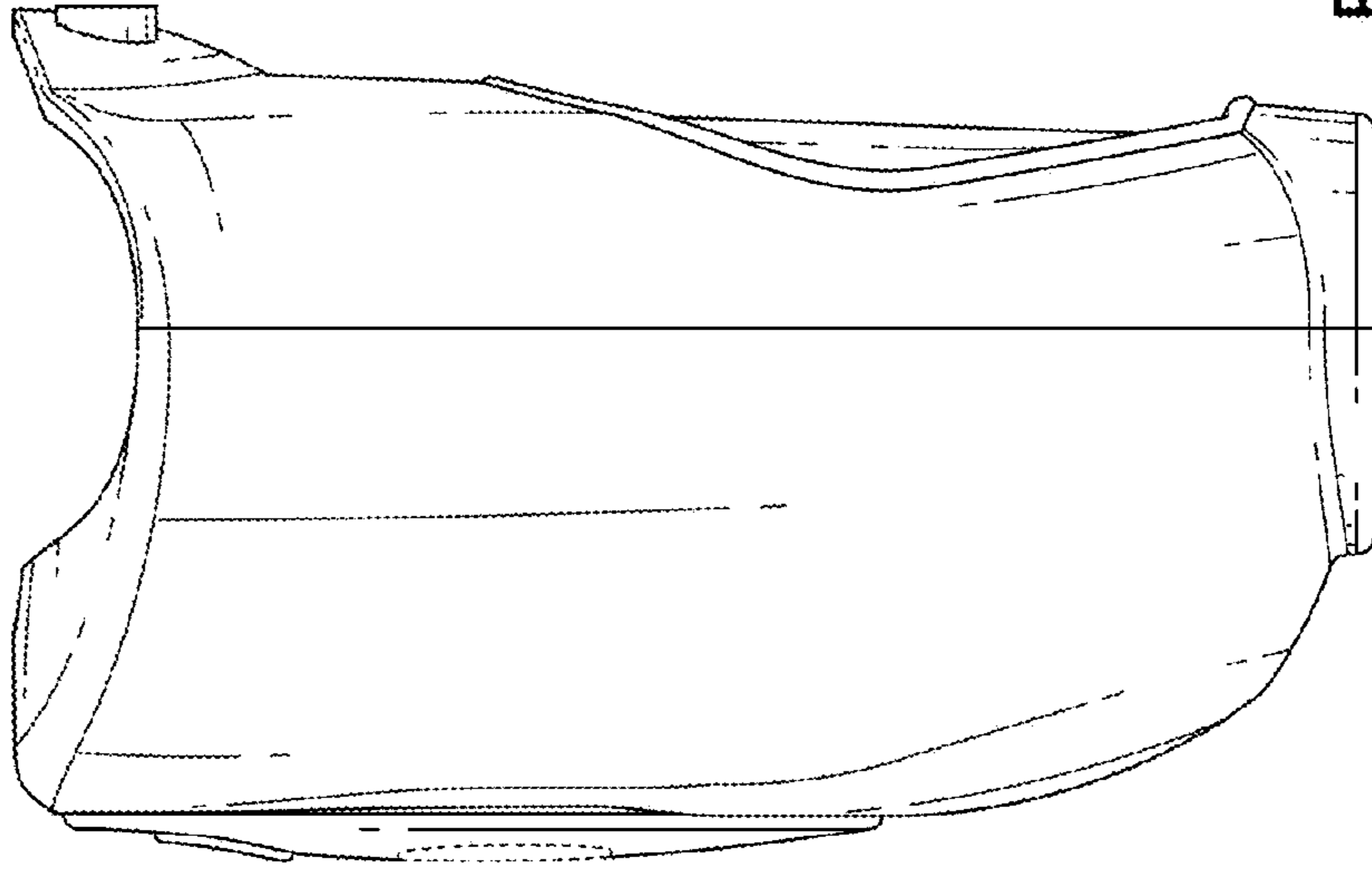


FIG. 4

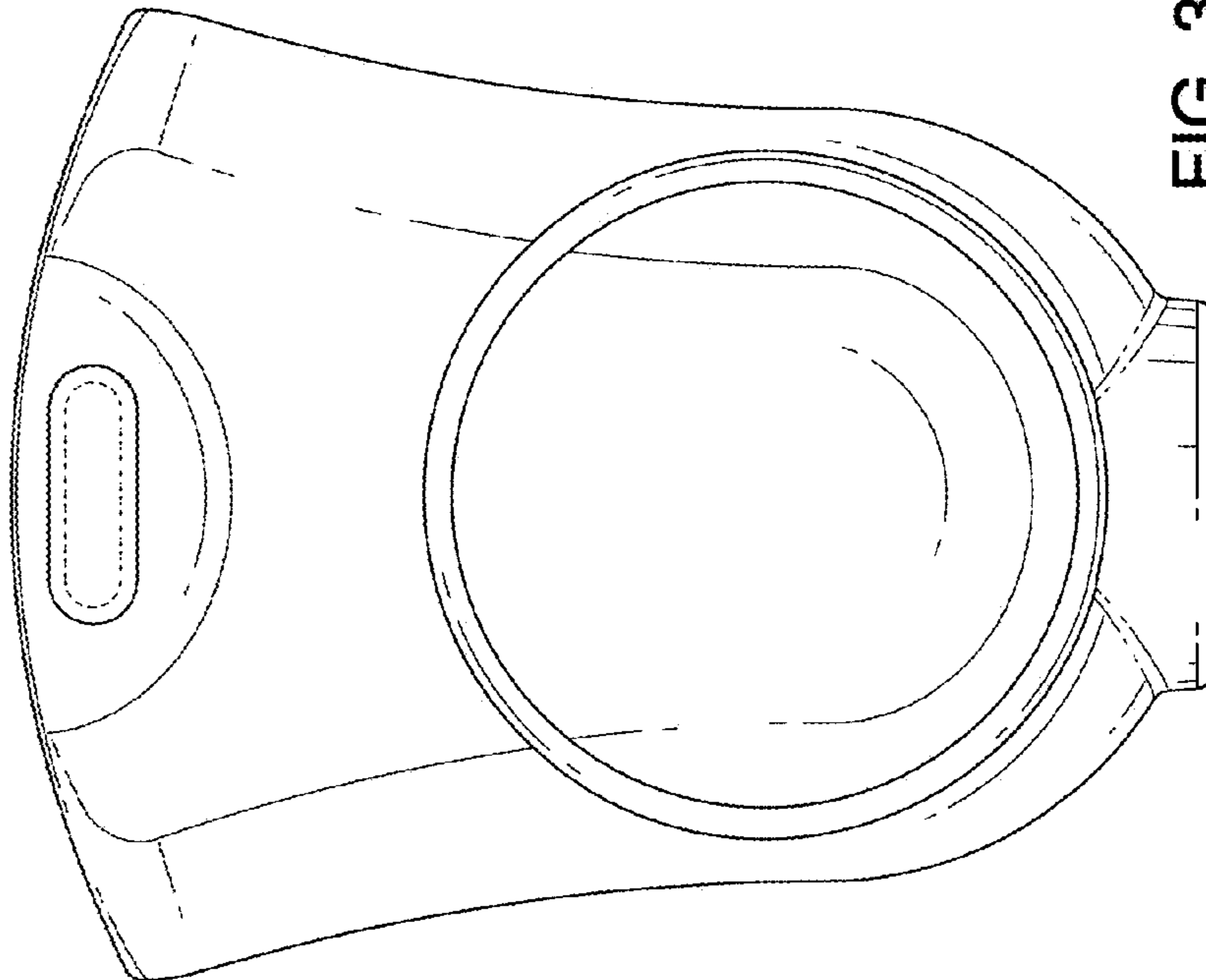


FIG. 3

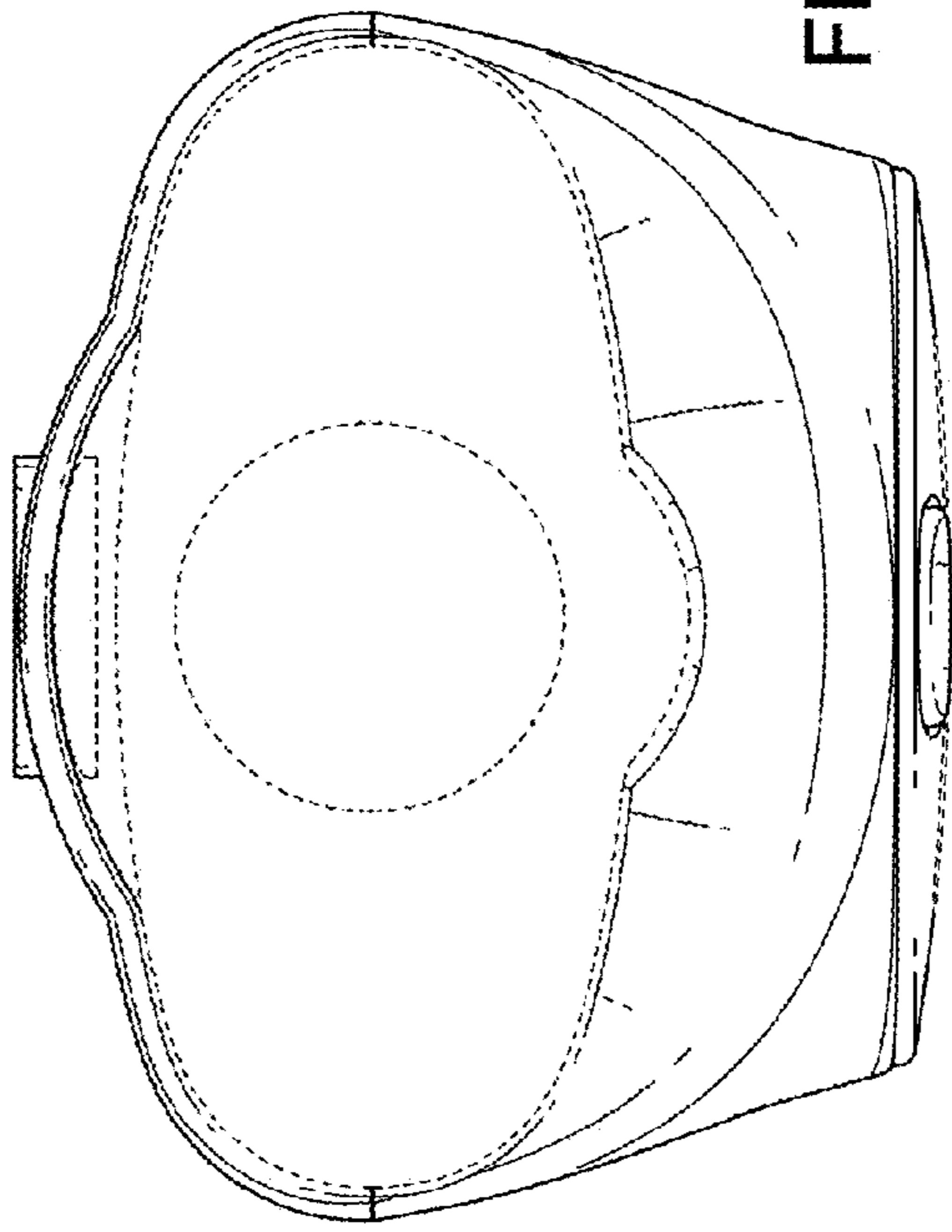


FIG. 6

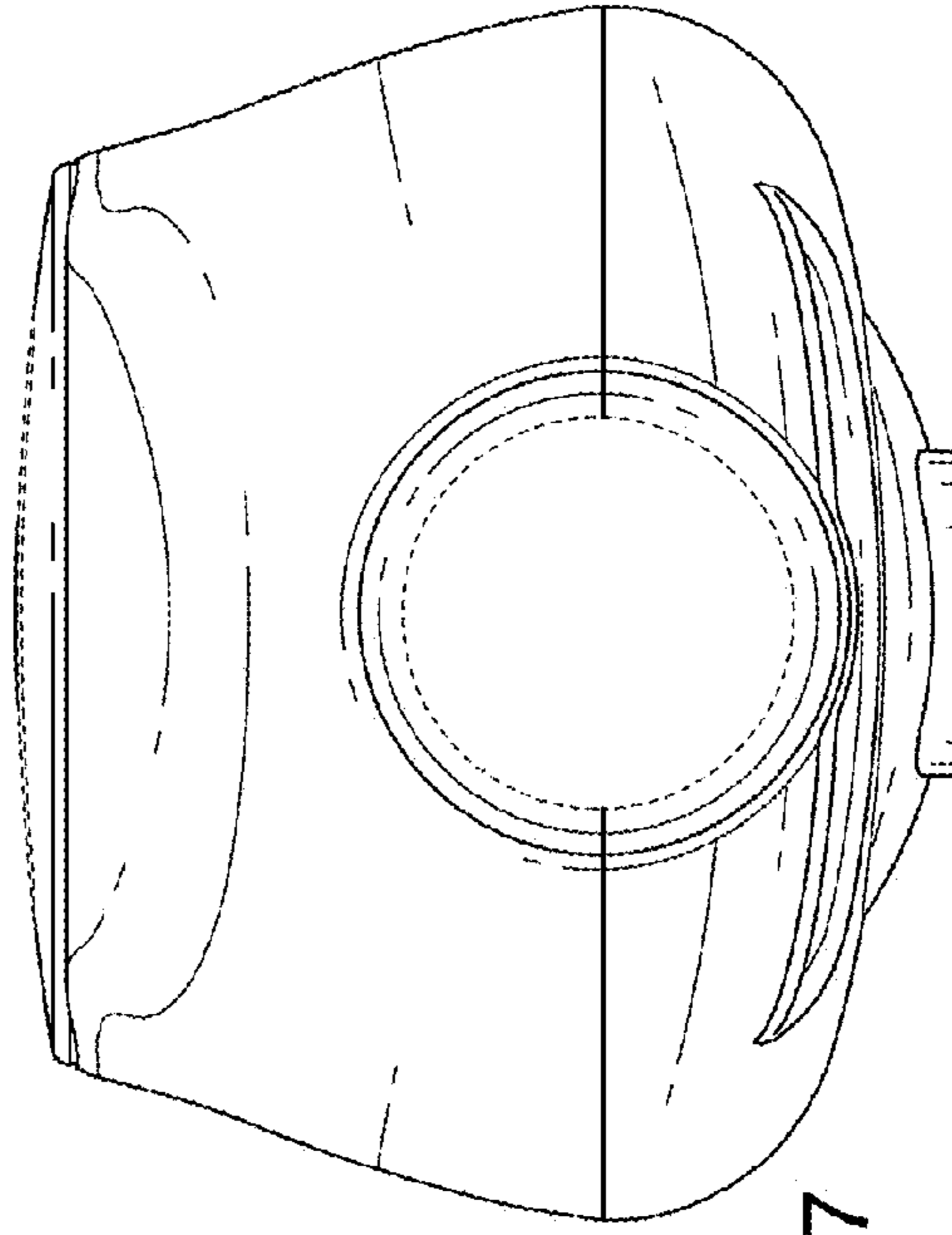


FIG. 7

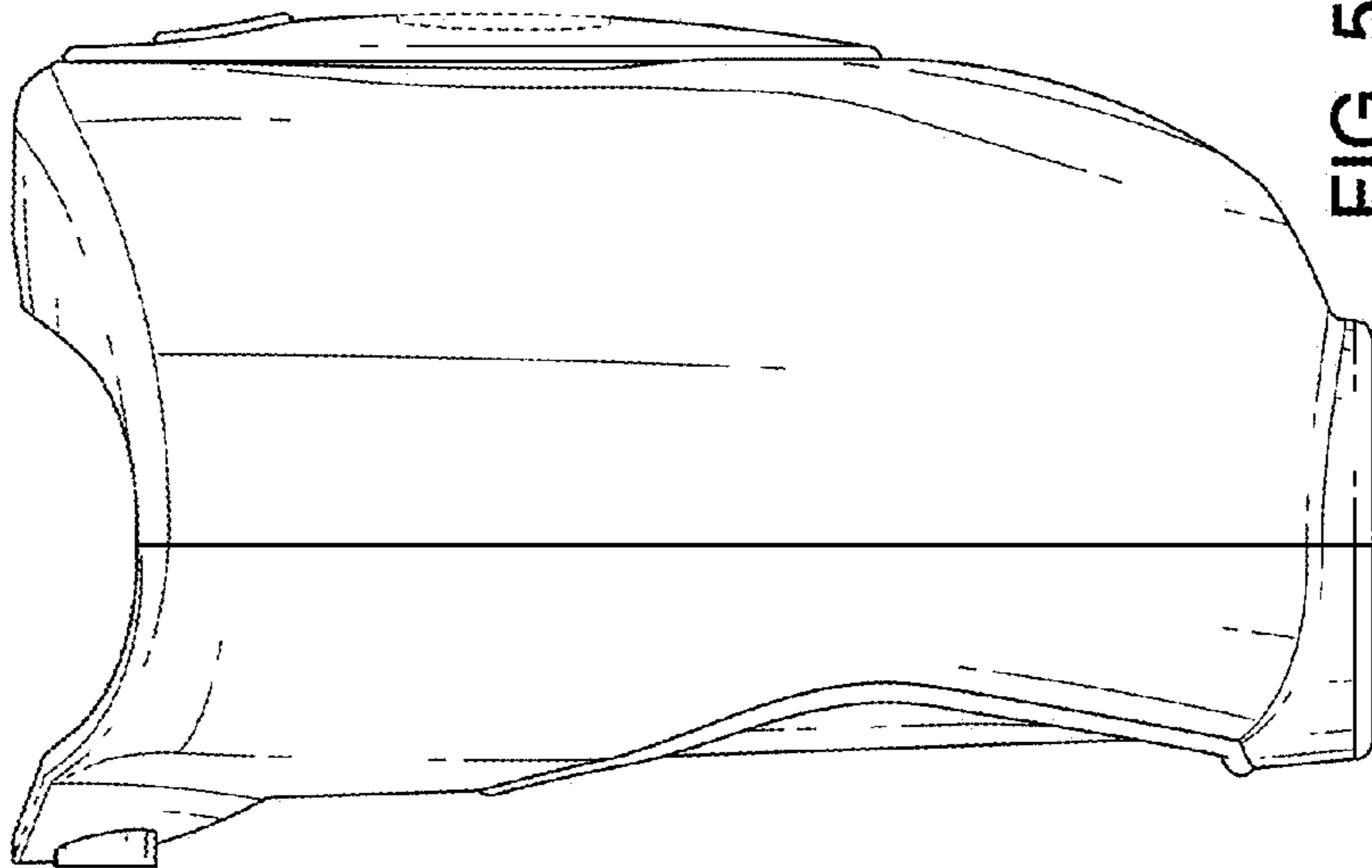
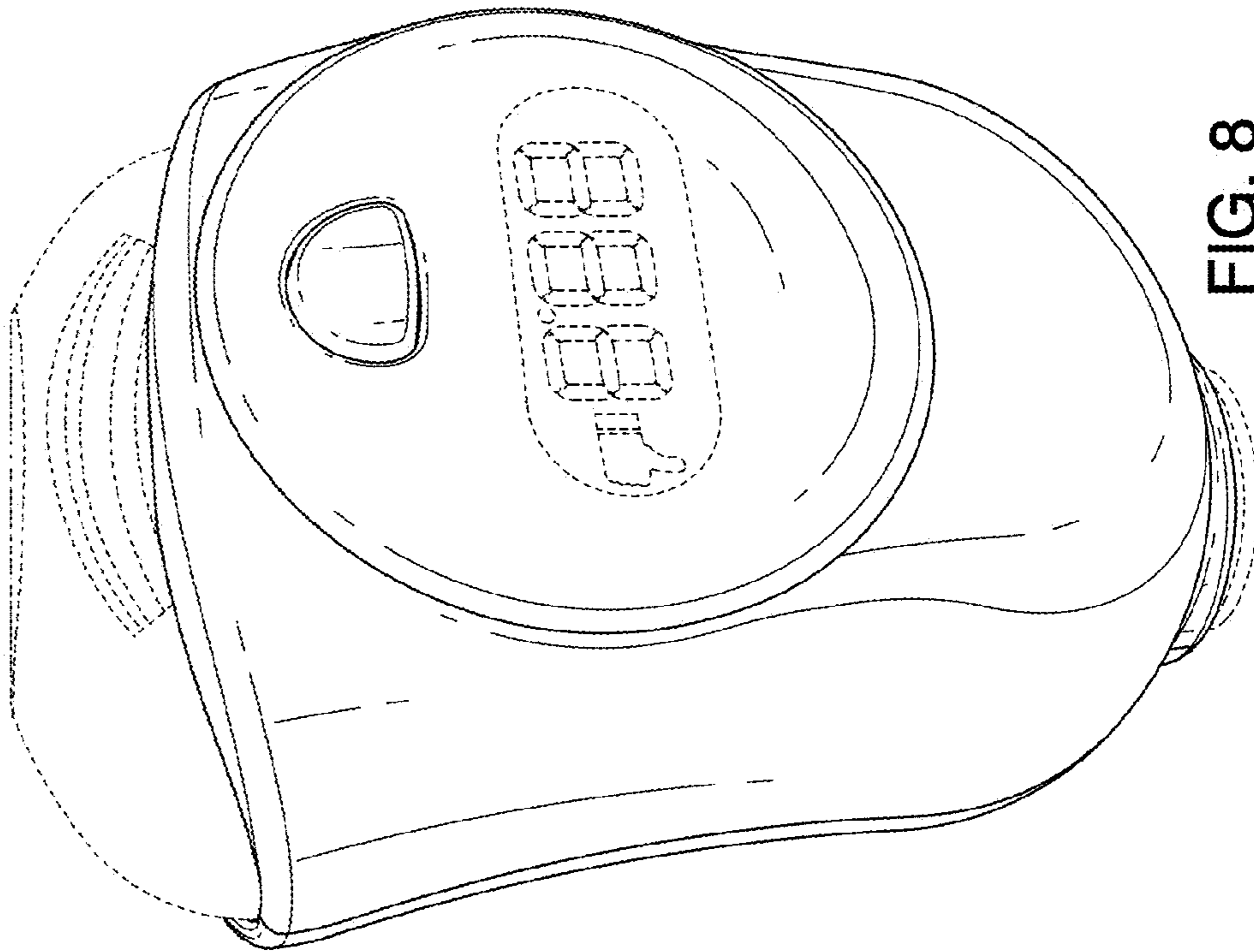
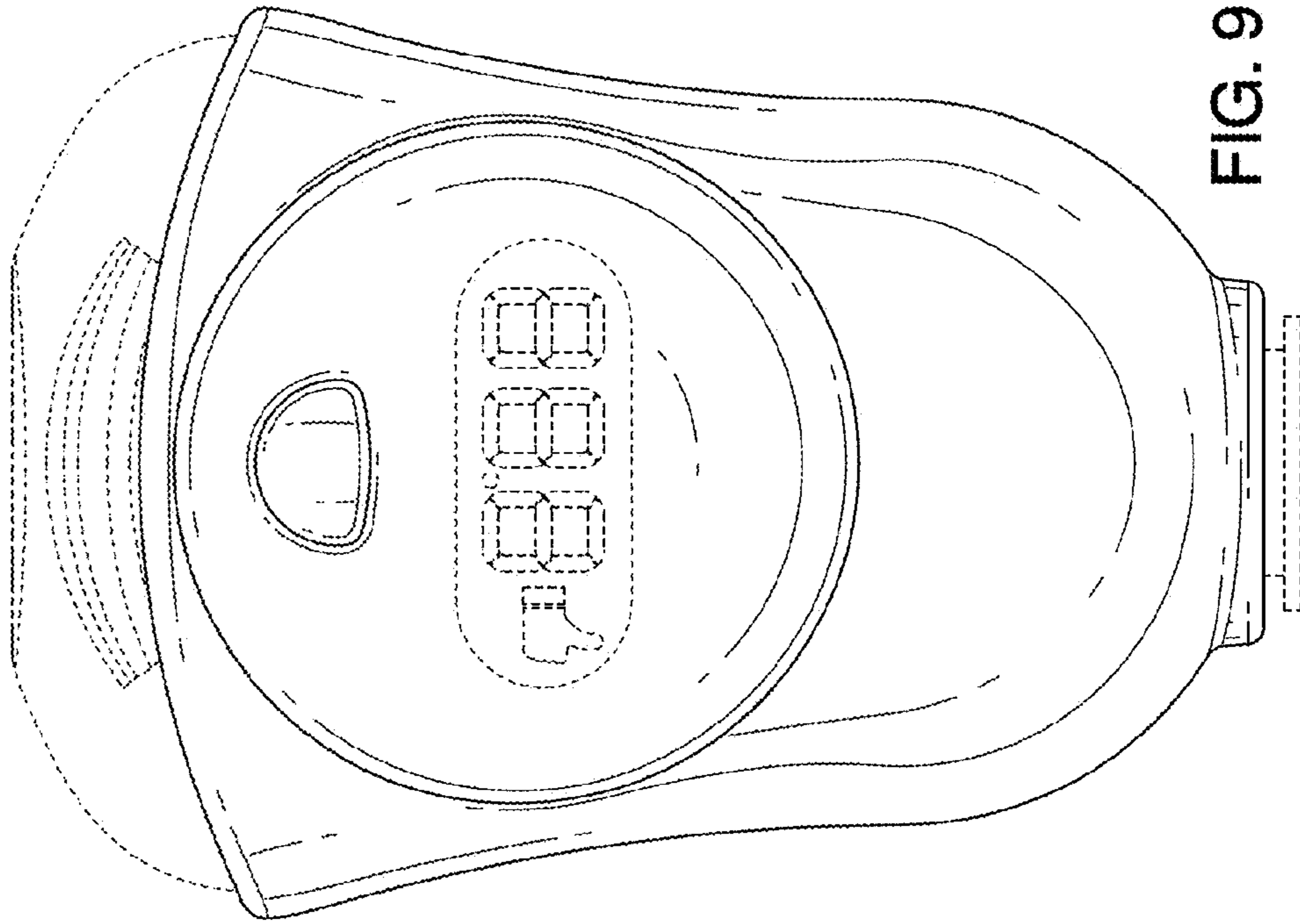


FIG. 5



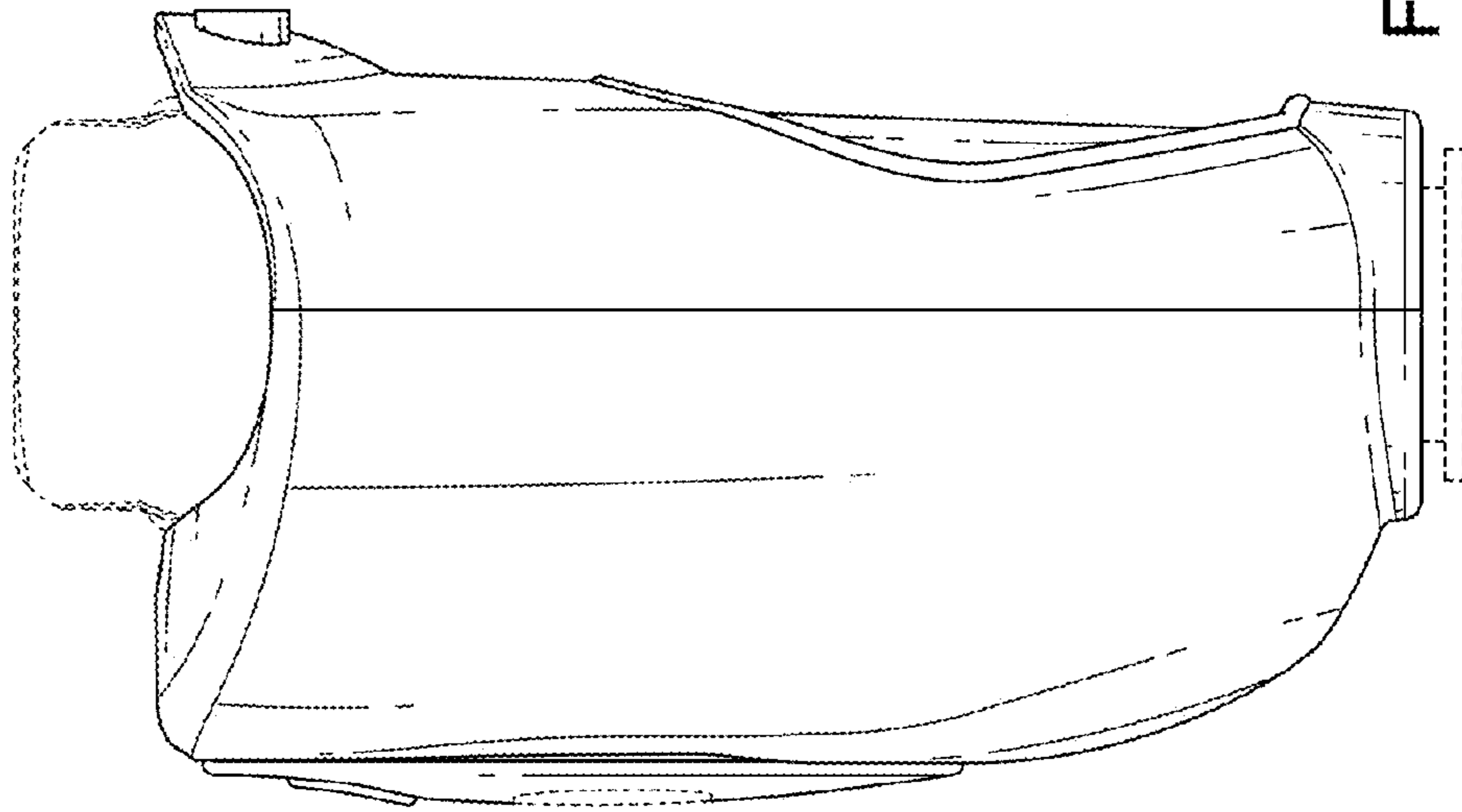


FIG. 11

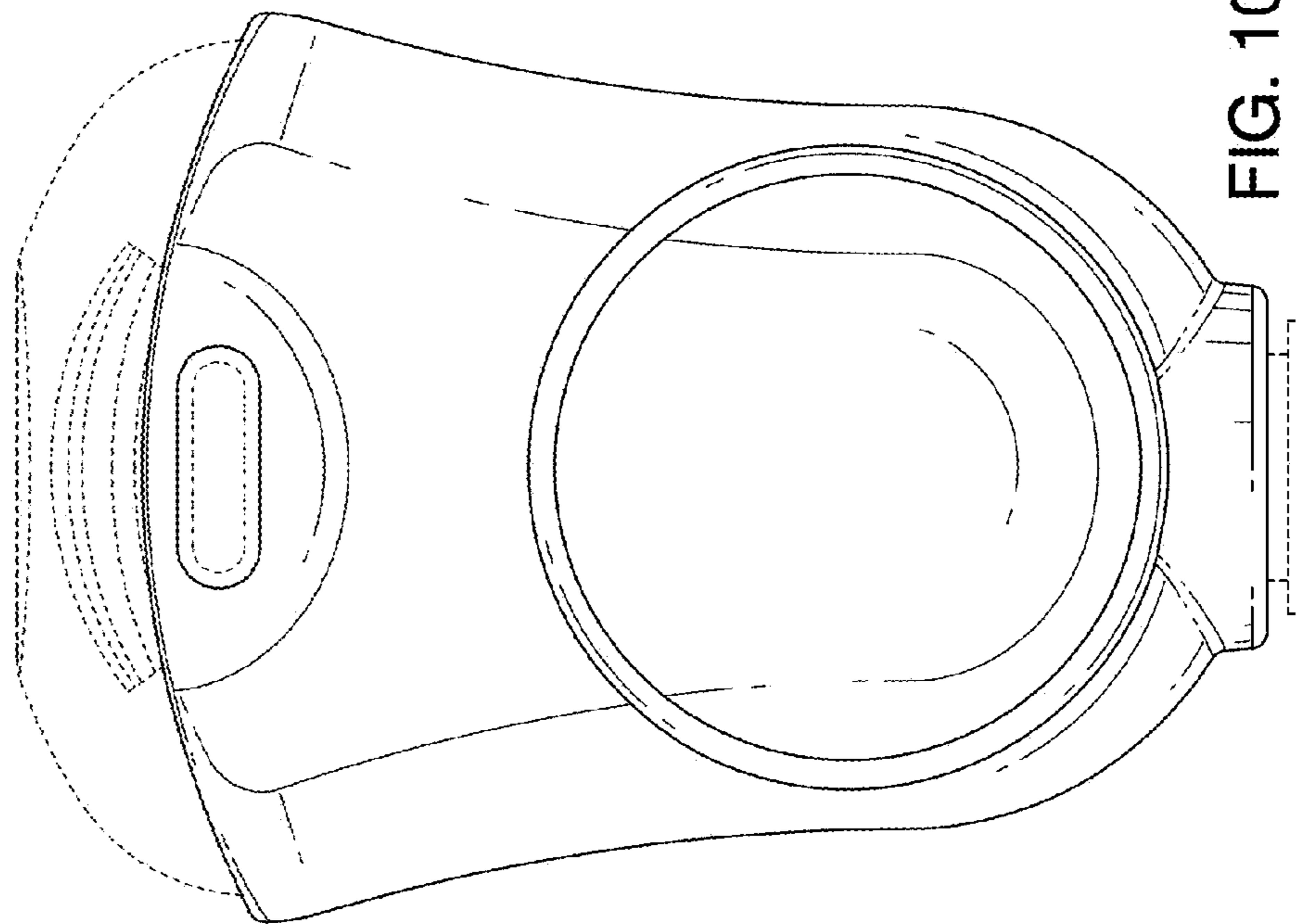


FIG. 10

