



US00D762074S

(12) **United States Design Patent**  
**Gibilterra**

(10) **Patent No.:** **US D762,074 S**

(45) **Date of Patent:** **\*\* Jul. 26, 2016**

(54) **MODULAR PUBLIC SEATING**

(71) Applicant: **Charles Augustus Gibilterra**, Carmel,  
CA (US)

(72) Inventor: **Charles Augustus Gibilterra**, Carmel,  
CA (US)

(\*\*) Term: **15 Years**

(21) Appl. No.: **29/505,401**

(22) Filed: **Oct. 9, 2015**

(51) **LOC (10) Cl.** ..... **06-01**

(52) **U.S. Cl.**  
USPC ..... **D6/381**

(58) **Field of Classification Search**  
USPC ..... D6/335, 336, 337, 338, 640, 643, 643.1,  
D6/644, 406.1, 406.2, 406.3, 356, 334,  
D6/381, 716, 717; D12/318, 345; D25/16  
CPC ..... A47C 17/00; A47C 17/02; A47C 17/12;  
A47C 17/18; A47C 7/021; A47C 31/00;  
A47C 3/16

See application file for complete search history.

(56) **References Cited**

**U.S. PATENT DOCUMENTS**

3,124,390	A *	3/1964	Eames et al.	.....	A47C 7/185 160/404
3,226,071	A *	12/1965	Eames	.....	A47C 1/12 248/163.1
3,990,741	A *	11/1976	Snyder	.....	A47C 1/12 297/248
D253,859	S *	1/1980	Hosoe	.....	D6/372
5,671,975	A *	9/1997	Muller	.....	A47C 1/12 297/232
D412,622	S *	8/1999	DeJule	.....	D6/371
6,095,603	A *	8/2000	Hock	.....	A47C 1/12 297/232
D440,422	S *	4/2001	DeJule	.....	D6/371
D441,211	S *	5/2001	Mitjans	.....	D6/381
D445,574	S *	7/2001	Foster	.....	D6/336
D498,077	S *	11/2004	Tonizzo	.....	D6/381
D537,648	S *	3/2007	Moschini	.....	D6/381

D575,073	S *	8/2008	Mitjans	.....	D6/381
D609,491	S *	2/2010	Lievore	.....	D6/381
7,845,725	B1 *	12/2010	Sawhney	.....	A47C 1/12 297/248
D635,788	S *	4/2011	Schwamkrug	.....	D6/371
8,764,107	B2 *	7/2014	Kusch	.....	A47C 11/005 297/248
D723,827	S *	3/2015	Gibilterra	.....	D6/381
9,060,614	B1 *	6/2015	Gibilterra	.....	A47C 11/005
2005/0146180	A1 *	7/2005	Fisher	.....	A47C 1/12 297/248

\* cited by examiner

*Primary Examiner* — Sandra Snapp

(57) **CLAIM**

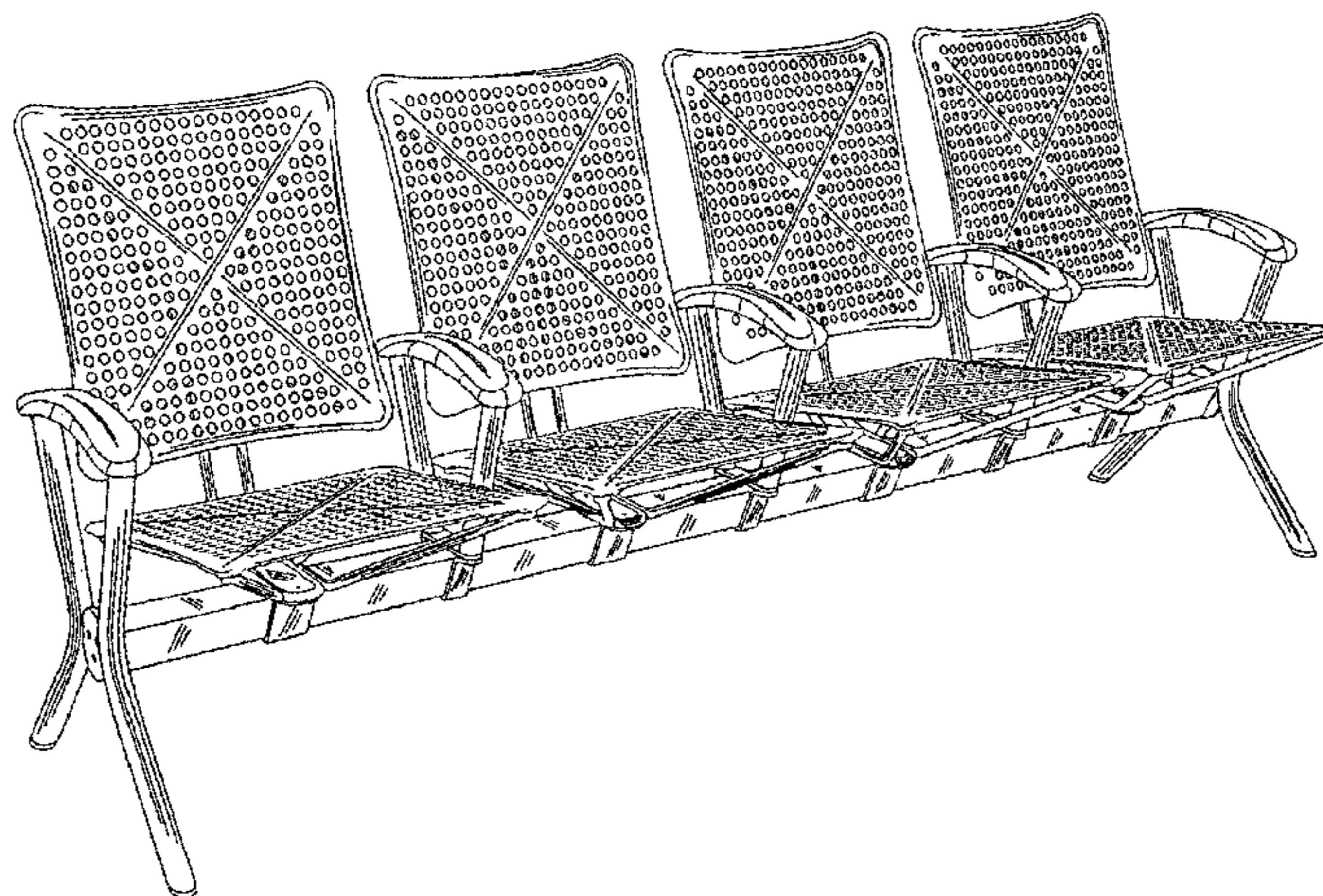
The ornamental design for modular public seating, as shown and described.

**DESCRIPTION**

FIG. 1 is a front-left perspective view of the modular public seating;  
 FIG. 2 is a front elevation view thereof;  
 FIG. 3 is a left side elevation view thereof; the right side being a mirror image thereof;  
 FIG. 4 is a top-downward looking plan view thereof;  
 FIG. 5 is a bottom plan view thereof;  
 FIG. 6 is a rear elevation view thereof;  
 FIG. 7 is a front, left exploded perspective view thereof showing all the component parts separated in spatial relation to one another;  
 FIG. 8 is a cross-sectional view taken along line A-A' in FIG. 7;  
 FIG. 9 is a cross-sectional view taken along line B-B' in FIG. 7; and,  
 FIG. 10 is a cross-sectional view taken along line C-C' in FIG. 7.  
 FIGS. 1-10 show the modular public seating of the claimed design.

The modular public seating system is intended for use in any public seating area such as an airport terminal, train station, bus depot, waiting room, sports arenas, and the like.

**1 Claim, 10 Drawing Sheets**



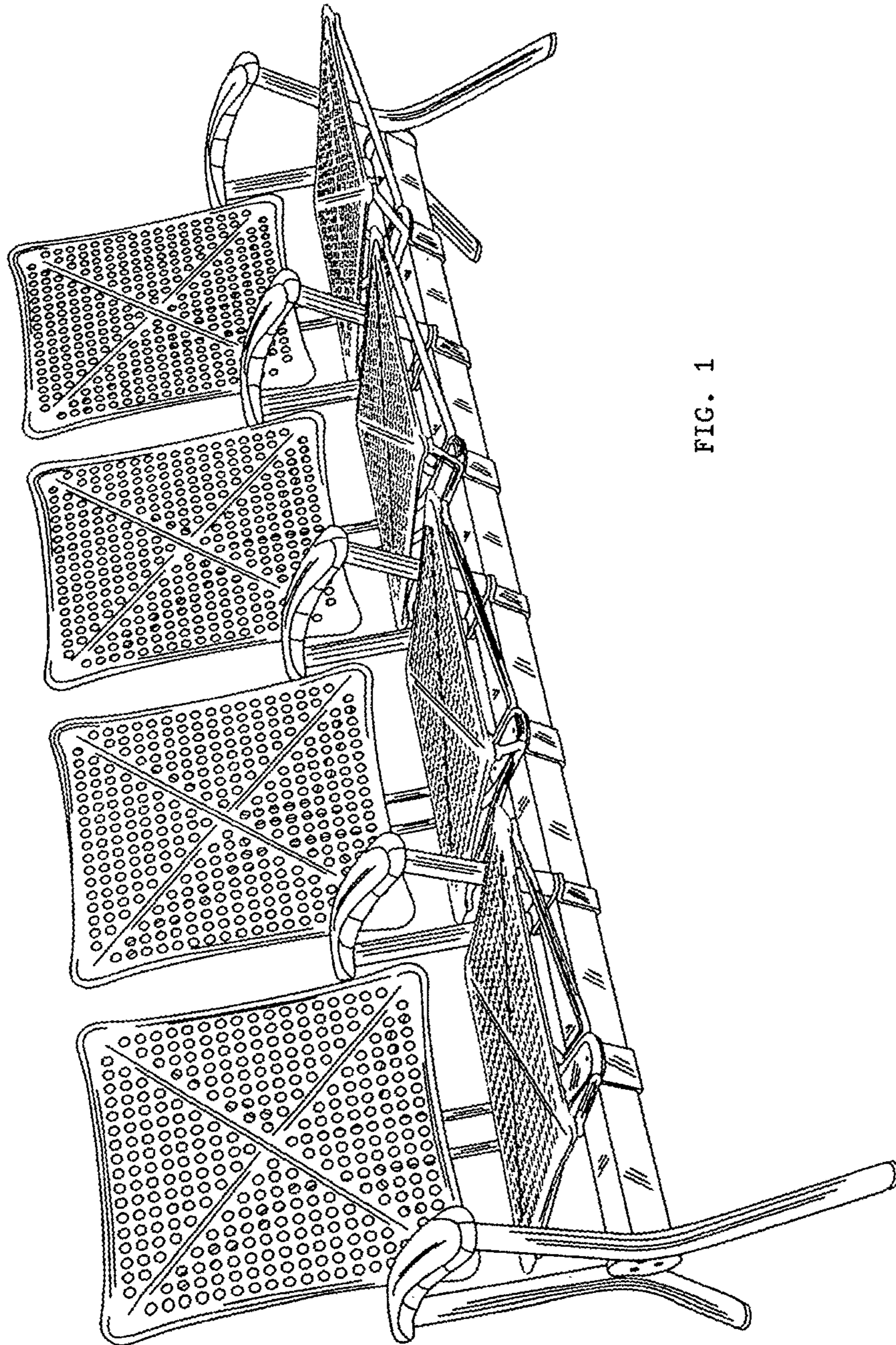


FIG. 1

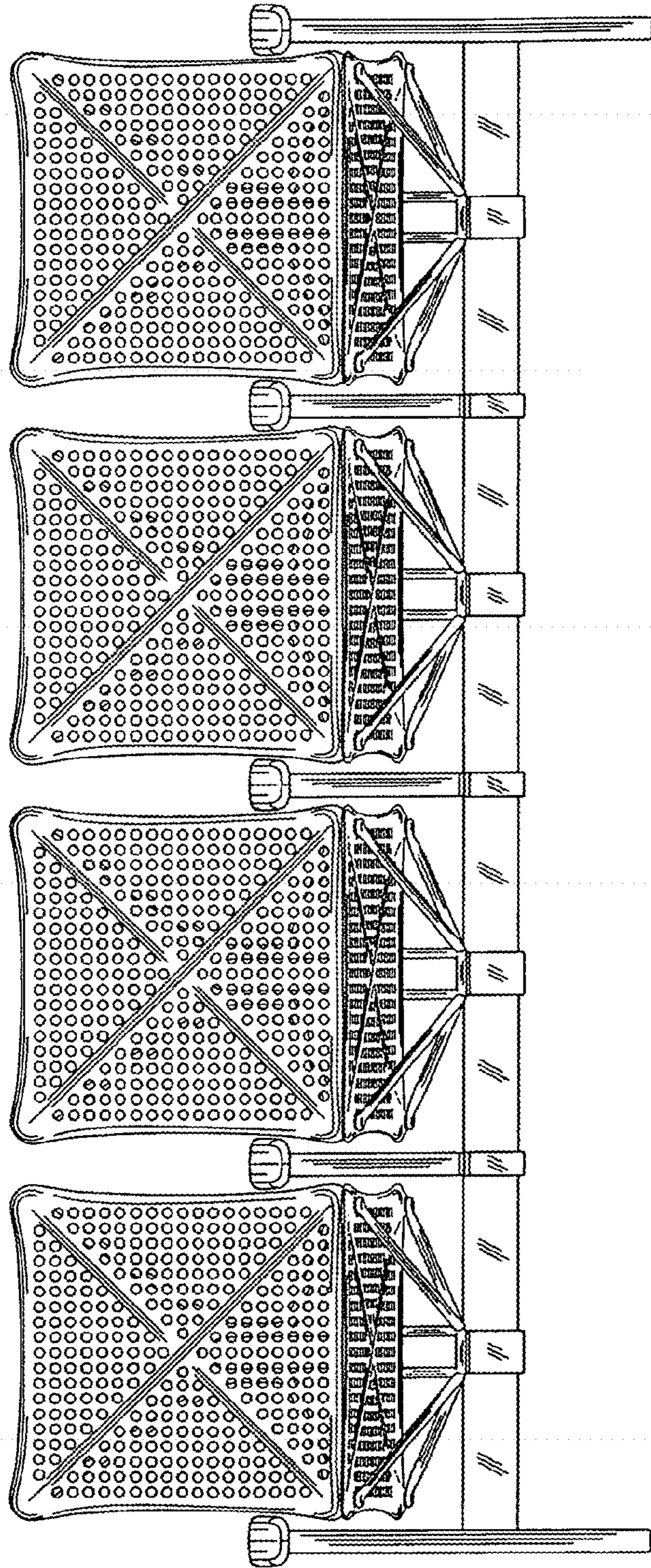
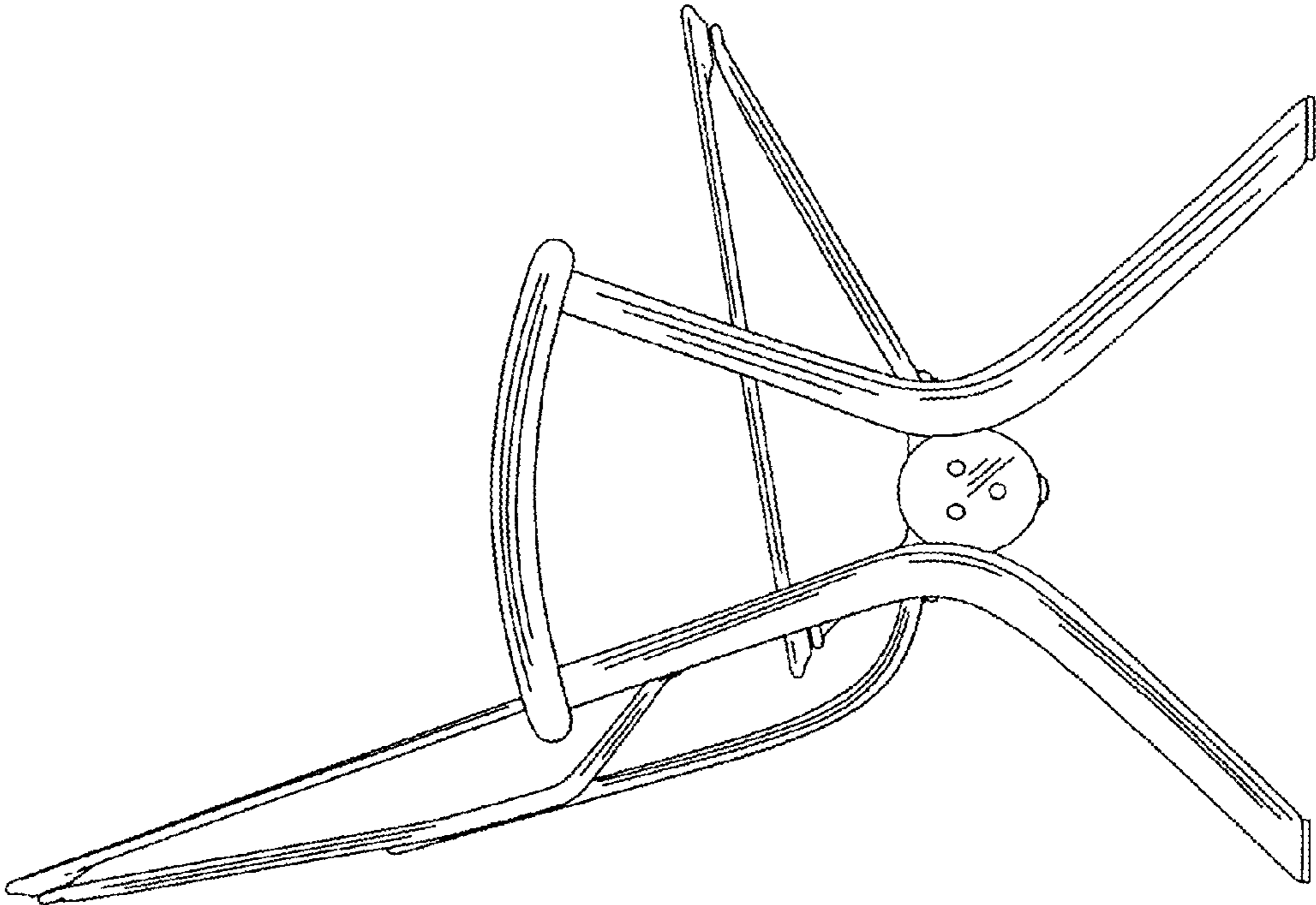


FIG. 2

FIG. 3



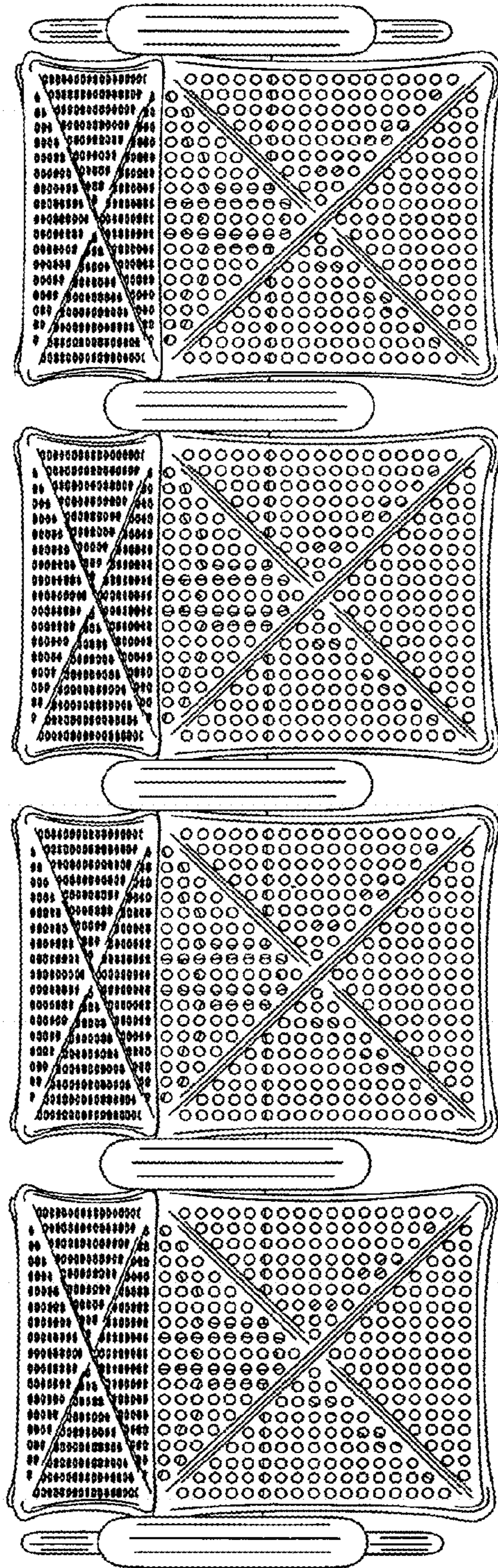


FIG. 4

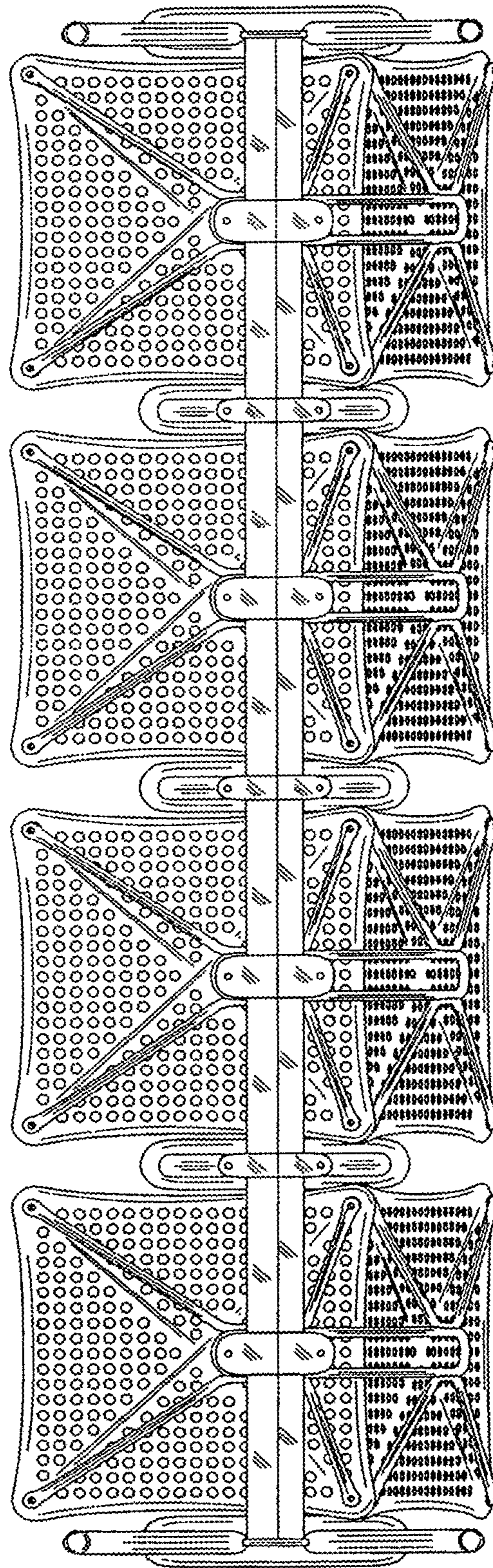


FIG. 5

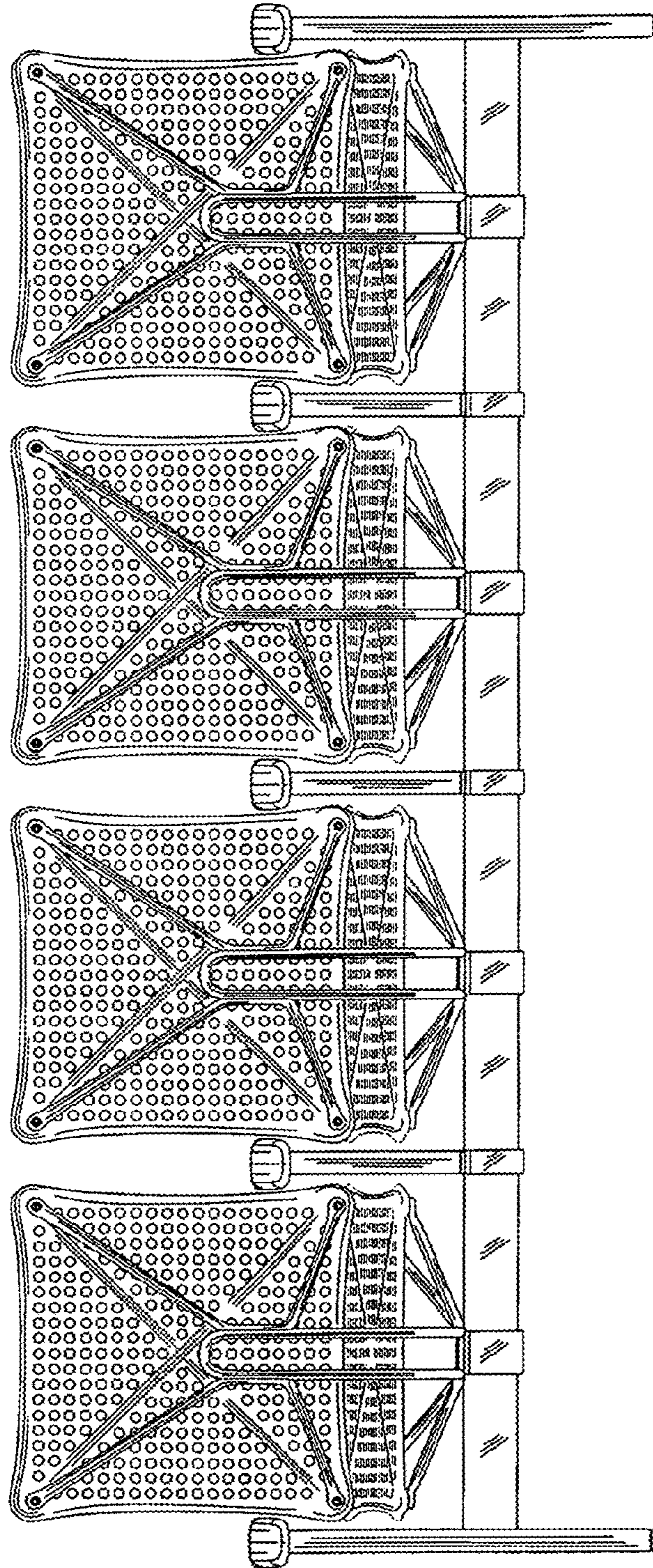
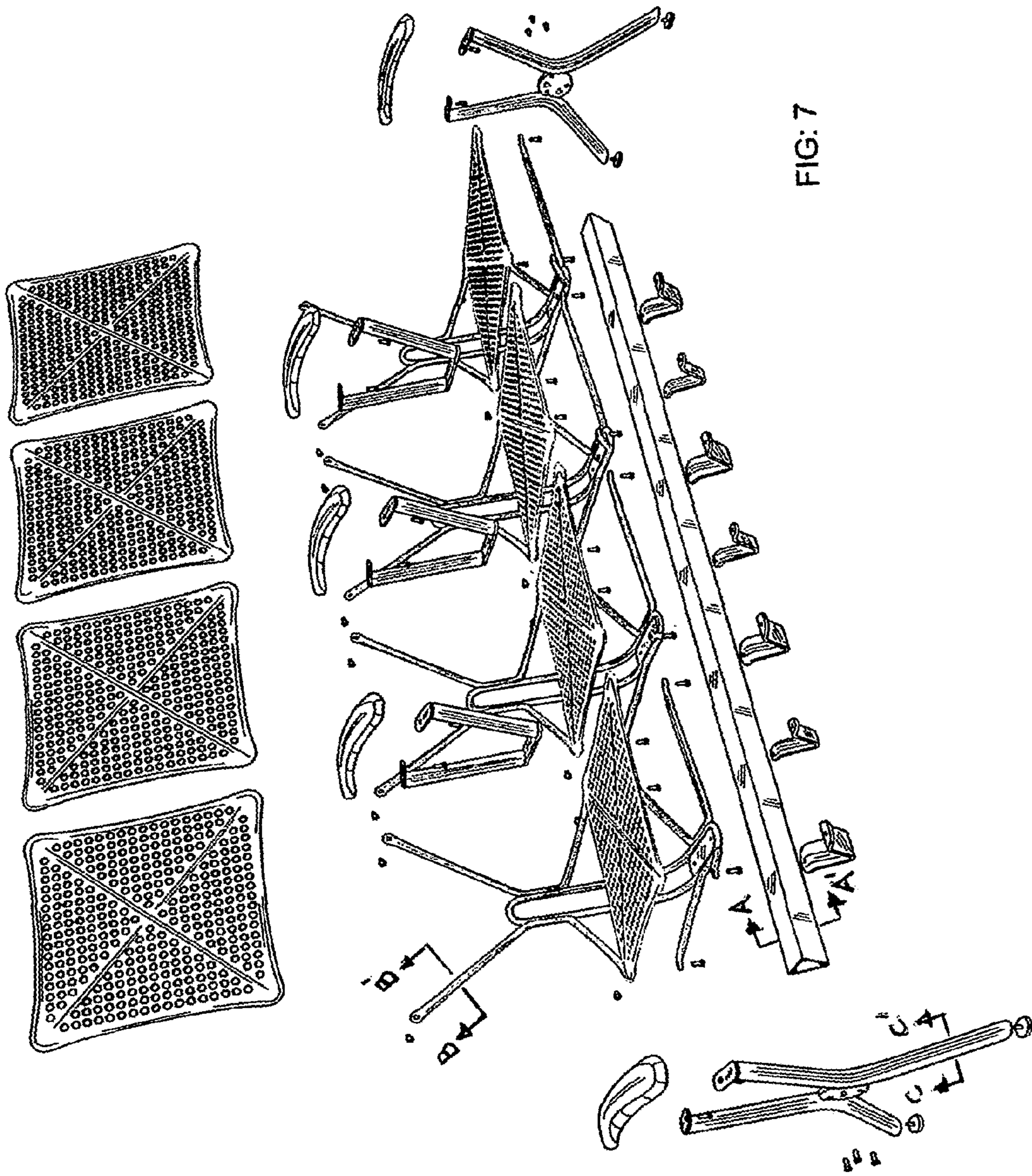


FIG. 6





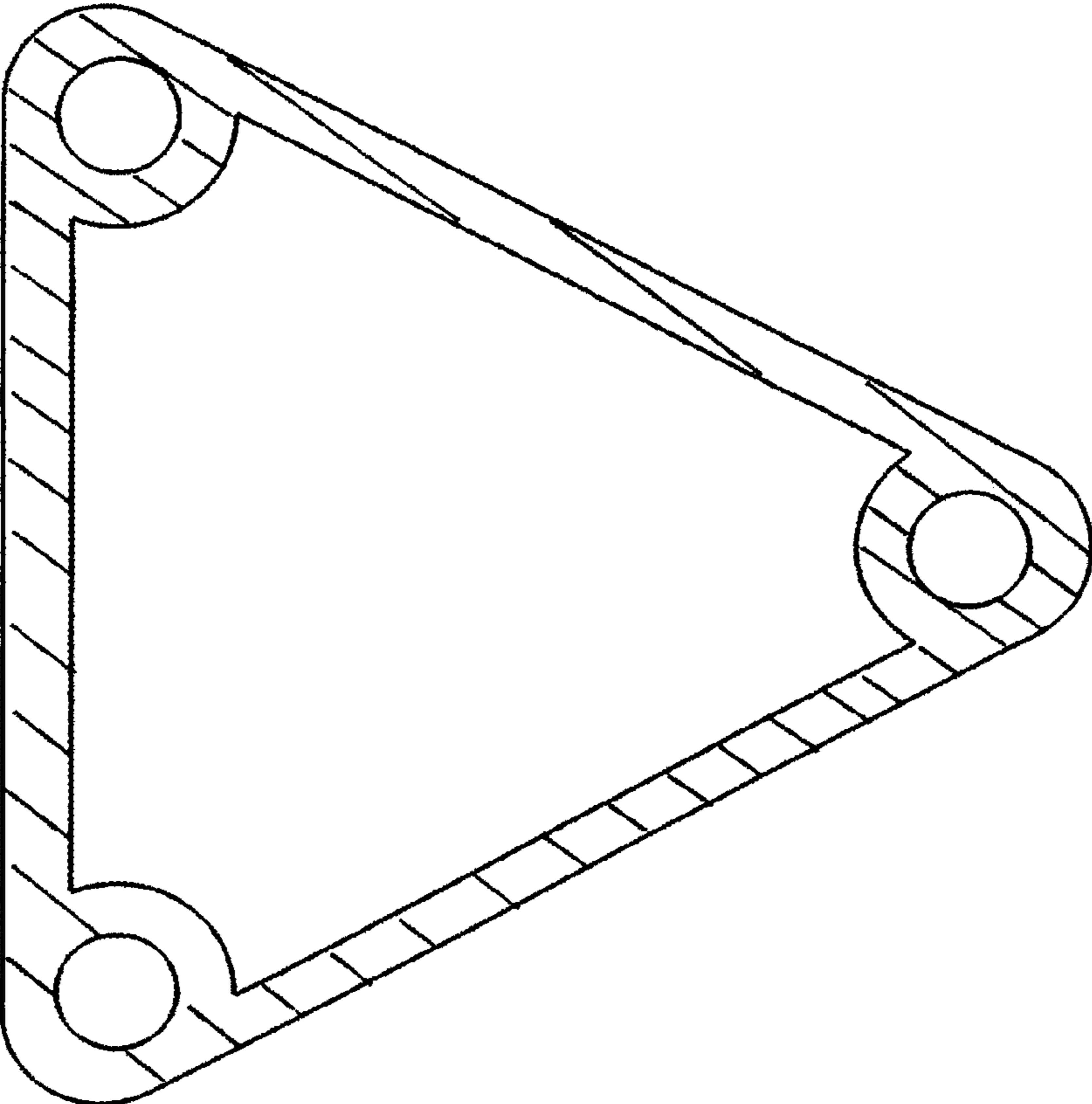


FIG. 8

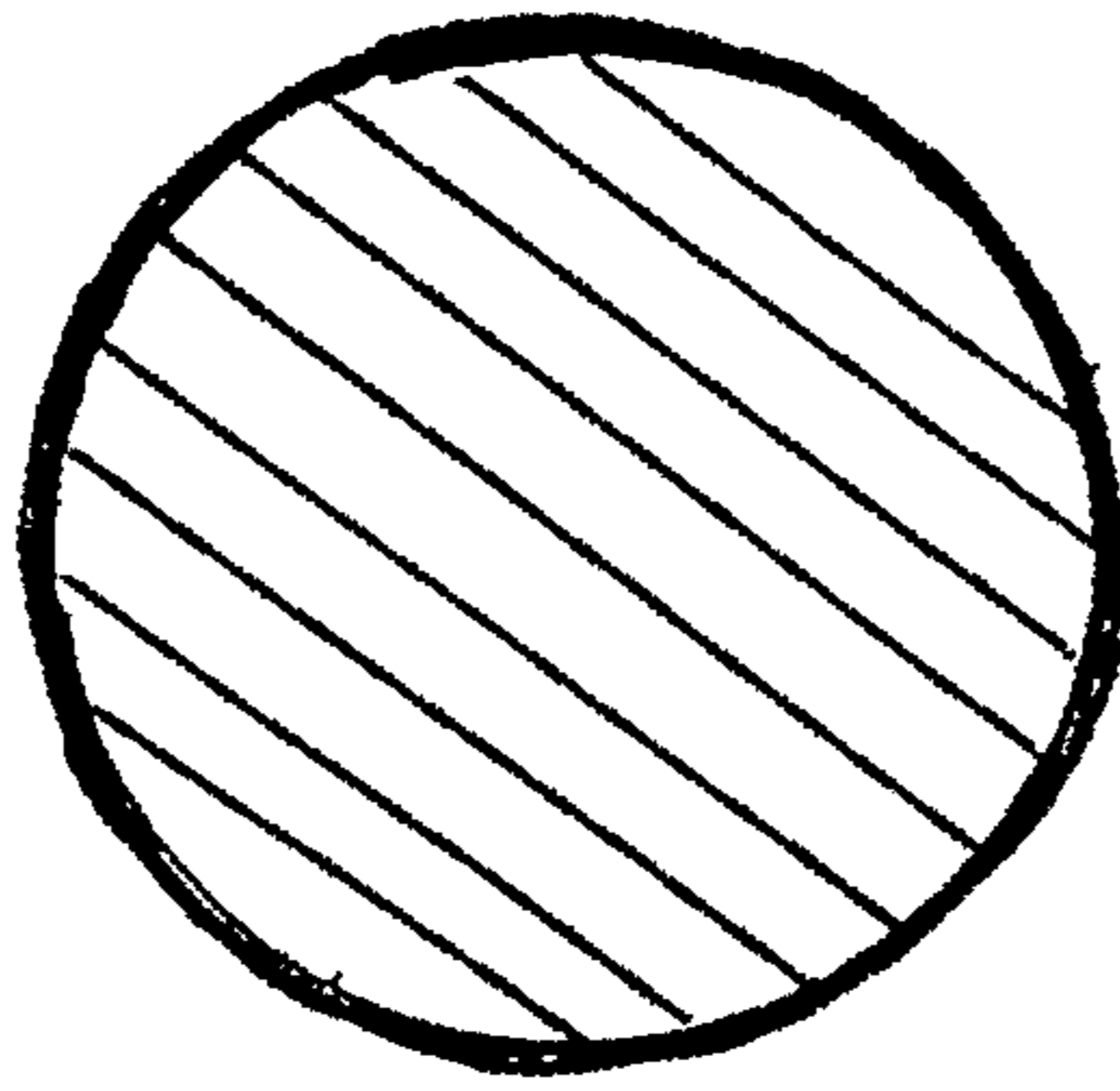


FIG. 9

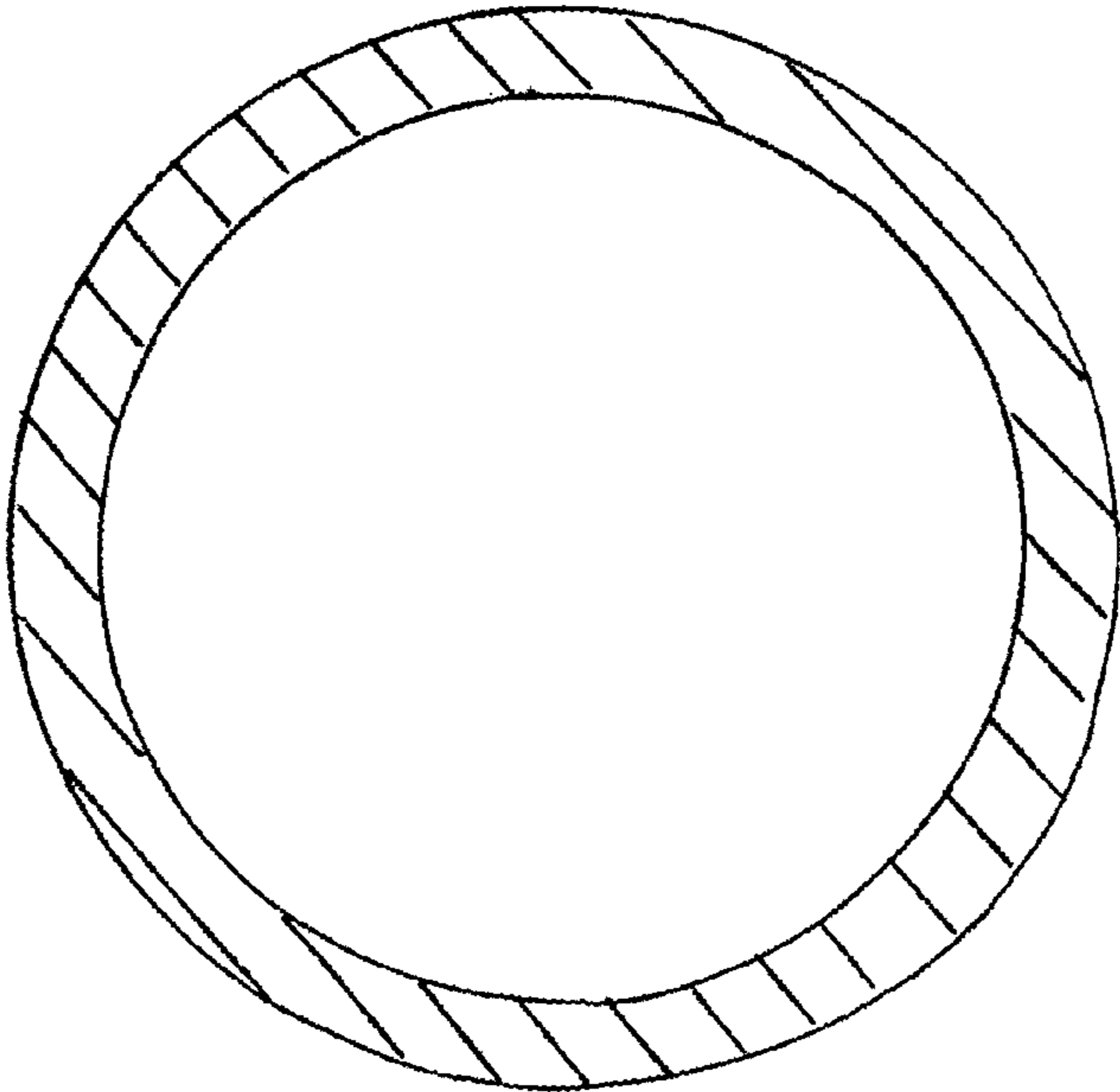


FIG. 10