



US00D762070S

(12) **United States Design Patent**  
**Katsuma**

(10) **Patent No.:** **US D762,070 S**  
(45) **Date of Patent:** **\*\* Jul. 26, 2016**

- (54) **BRUSH FERRULE**
- (71) Applicant: **LINZER PRODUCTS CORP.**, West Babylon, NY (US)
- (72) Inventor: **Takashi Katsuma**, Port Washington, NY (US)
- (73) Assignee: **LINZEN PRODUCTS CORP.**, West Babylon, NY (US)
- (\*\*) Term: **14 Years**
- (21) Appl. No.: **29/504,918**
- (22) Filed: **Oct. 10, 2014**
- (51) **LOC (10) Cl.** ..... **04-99**
- (52) **U.S. Cl.**  
USPC ..... **D4/199**
- (58) **Field of Classification Search**  
USPC ..... D3/228, 269, 300; D4/199; D9/702, D9/711, 712; 15/246, 247; 150/161; 206/15.3, 284, 361, 362.2, 362.3, 206/362.4; 428/34.3  
CPC . A46B 17/04; A46B 2200/202; B65D 25/105  
See application file for complete search history.

- D562,010 S \* 2/2008 Goulet ..... D4/199
- D572,907 S \* 7/2008 Byrne ..... D4/199
- D591,515 S \* 5/2009 Belley ..... D4/135
- 8,926,117 B2 \* 1/2015 Blanchette ..... F21L 4/02  
15/106
- D735,382 S \* 7/2015 Blanchette ..... D26/38
- 2006/0000042 A1 \* 1/2006 Rekart ..... A46B 7/04  
15/160

\* cited by examiner

*Primary Examiner* — Austin Murphy

(74) *Attorney, Agent, or Firm* — Donald J. Ranft; Kristen A. Mogavero; Collen IP

(57) **CLAIM**

The ornamental design for a brush ferrule, as shown.

**DESCRIPTION**

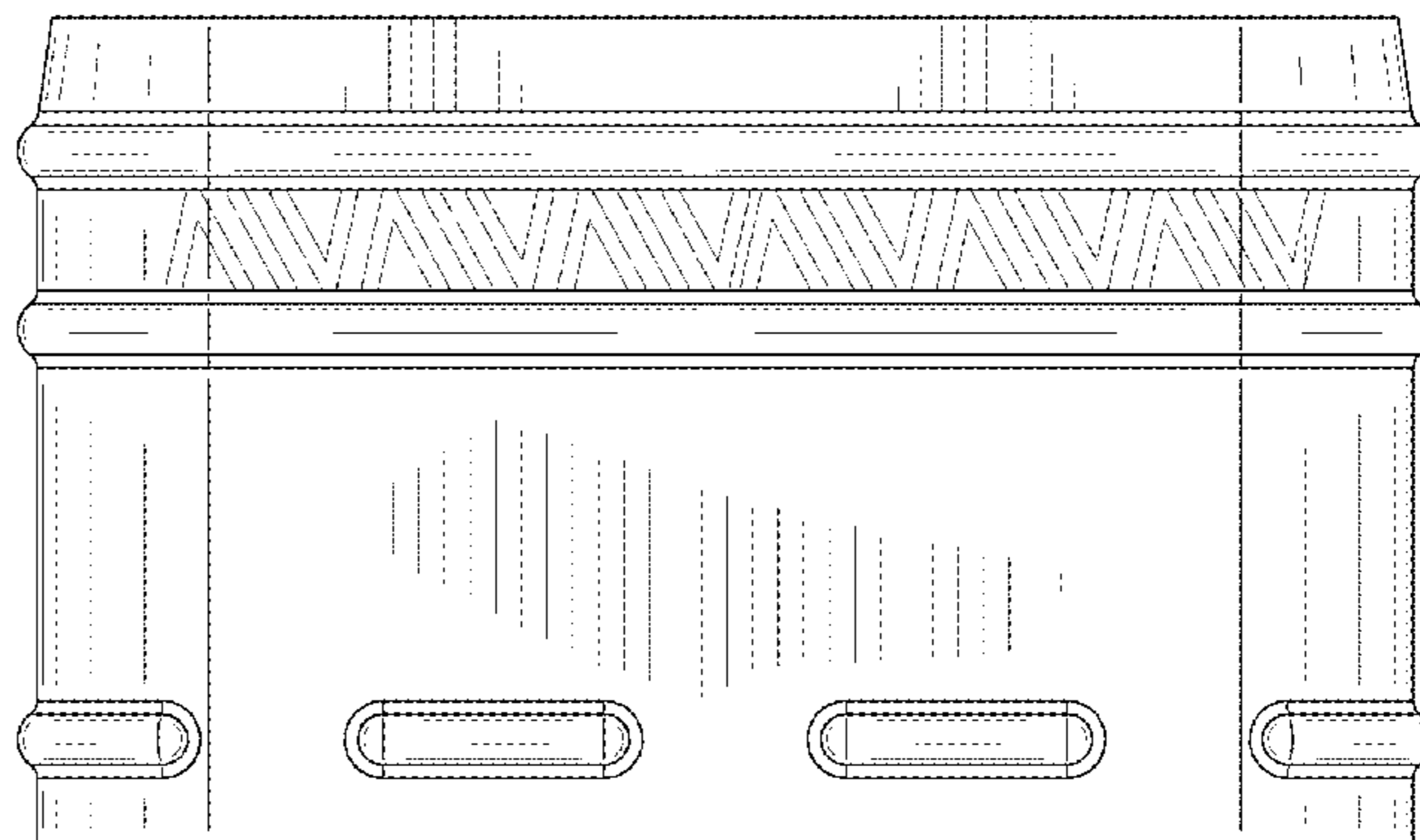
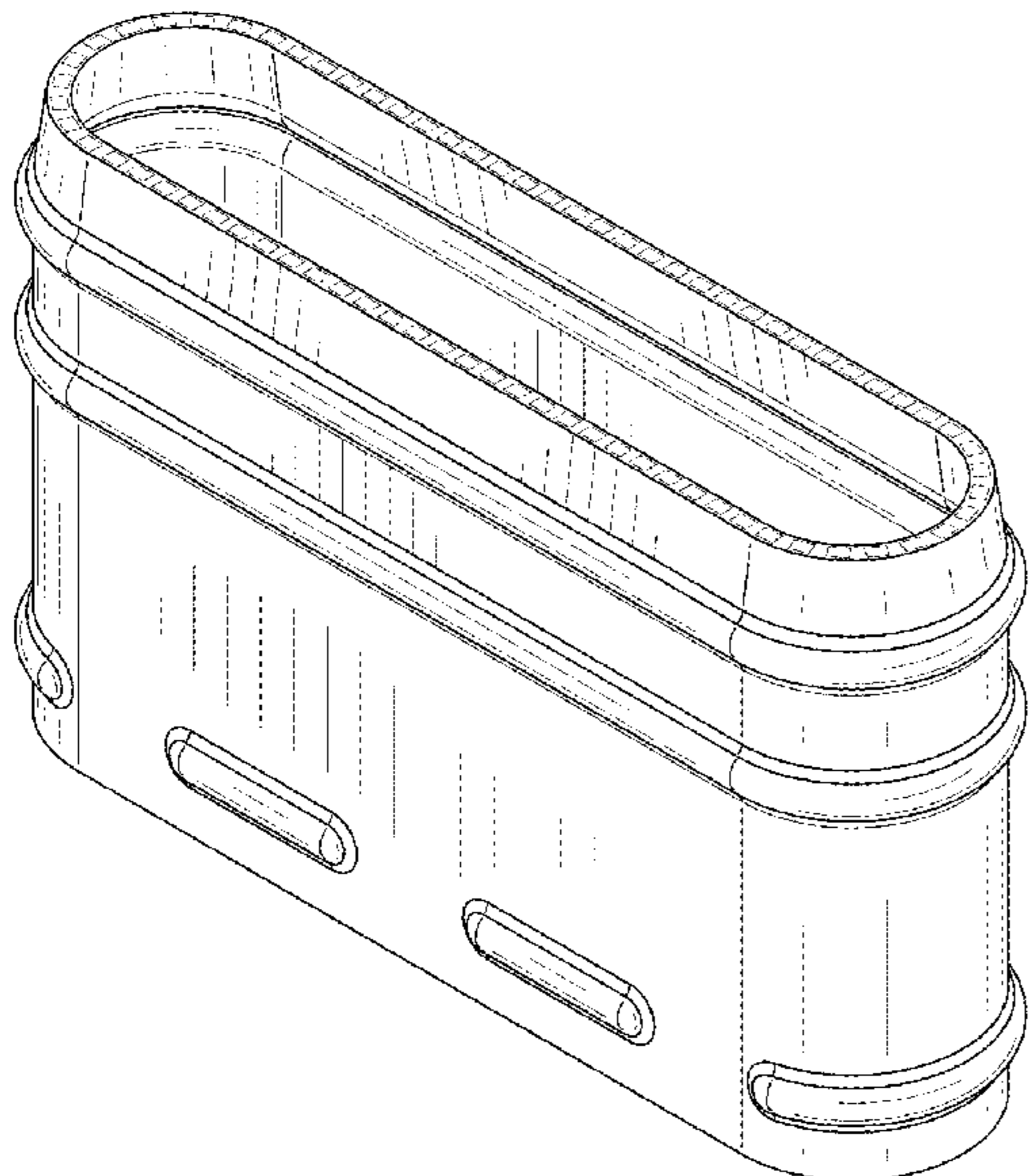
FIG. 1 is a first embodiment of a top perspective view of a brush ferrule showing my new design;  
 FIG. 2 is another top perspective view thereof;  
 FIG. 3 is a bottom perspective view thereof;  
 FIG. 4 is a top view thereof;  
 FIG. 5 is a bottom view thereof;  
 FIG. 6 is a side view thereof; and  
 FIG. 7 is a front/rear view thereof.  
 FIG. 8 is a top perspective view of a second embodiment of a brush ferrule showing my new design;  
 FIG. 9 is another top perspective view thereof;  
 FIG. 10 is a bottom perspective view thereof;  
 FIG. 11 is a top view thereof;  
 FIG. 12 is a bottom view thereof;  
 FIG. 13 is a left side view thereof;  
 FIG. 14 is a right side view thereof;  
 FIG. 15 is a front view thereof; and,  
 FIG. 16 is a rear view thereof.

**1 Claim, 9 Drawing Sheets**

(56) **References Cited**

**U.S. PATENT DOCUMENTS**

- 1,468,716 A \* 9/1923 Kersting ..... A46B 9/08  
16/108
- 2,874,399 A \* 2/1959 Friedman ..... A46B 15/00  
15/169
- 4,253,213 A 3/1981 Marino
- 5,315,733 A \* 5/1994 Ledingham ..... A46B 9/12  
15/168
- D511,412 S \* 11/2005 Madrid ..... D3/228



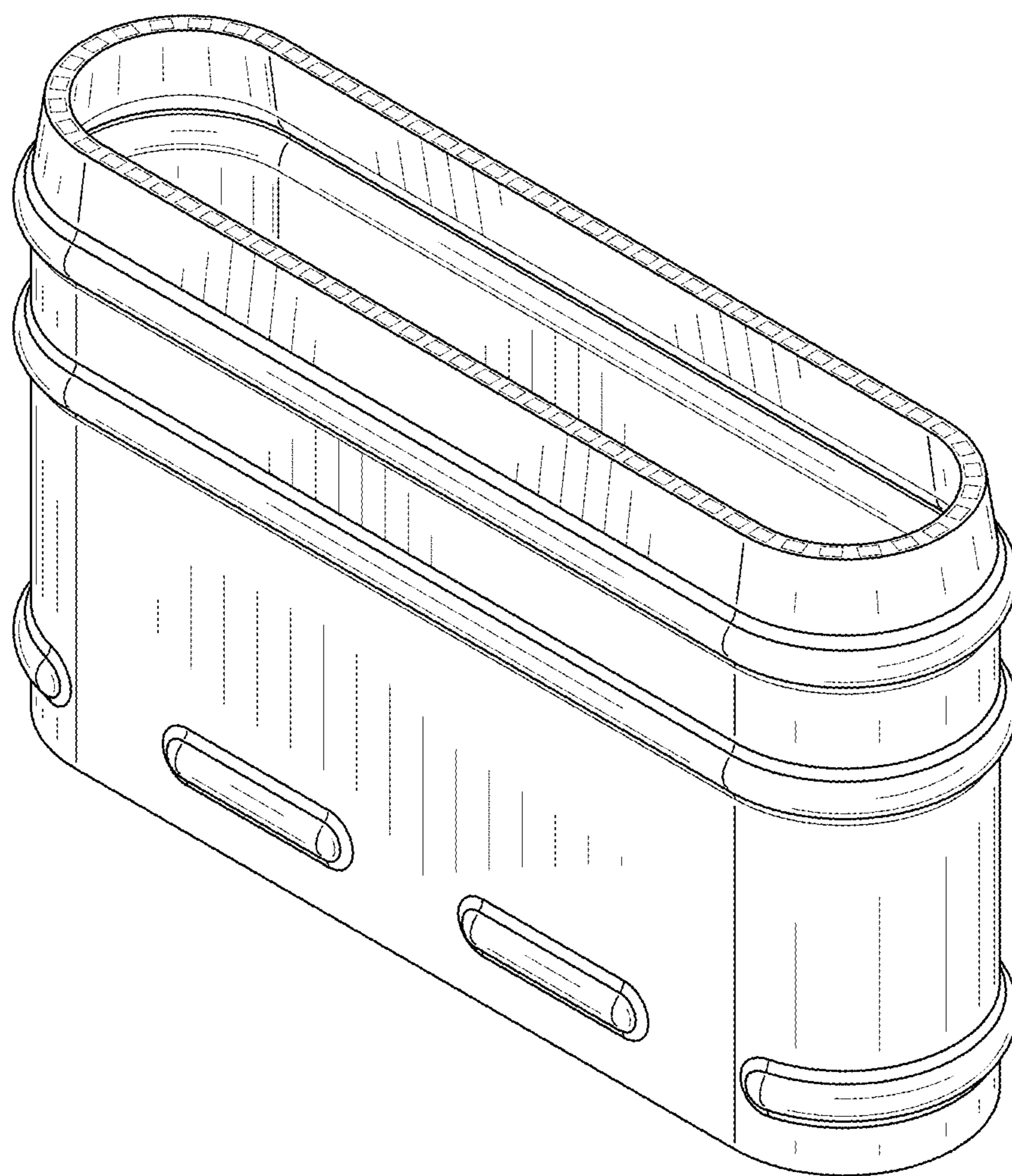


FIG. 1

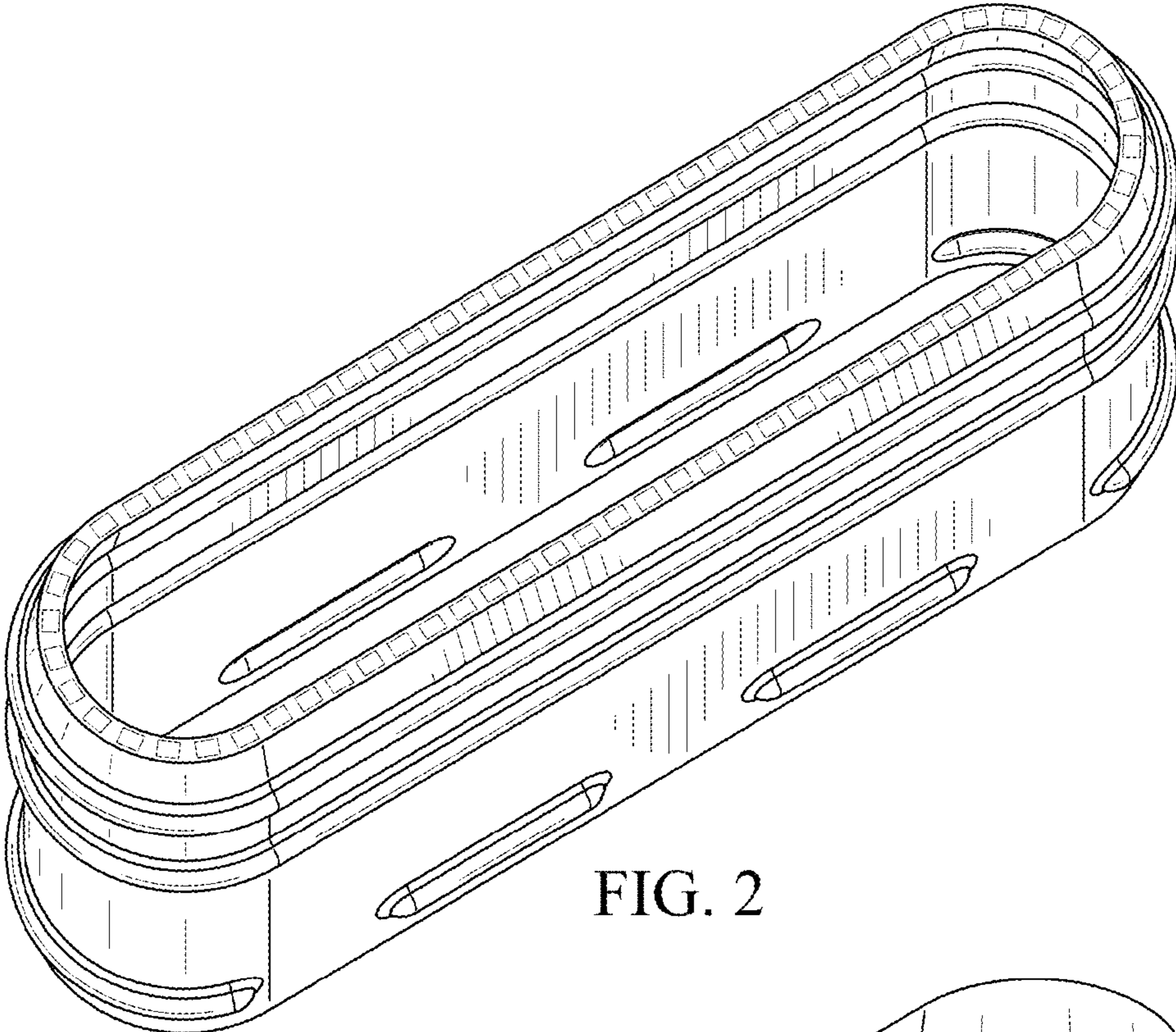


FIG. 2

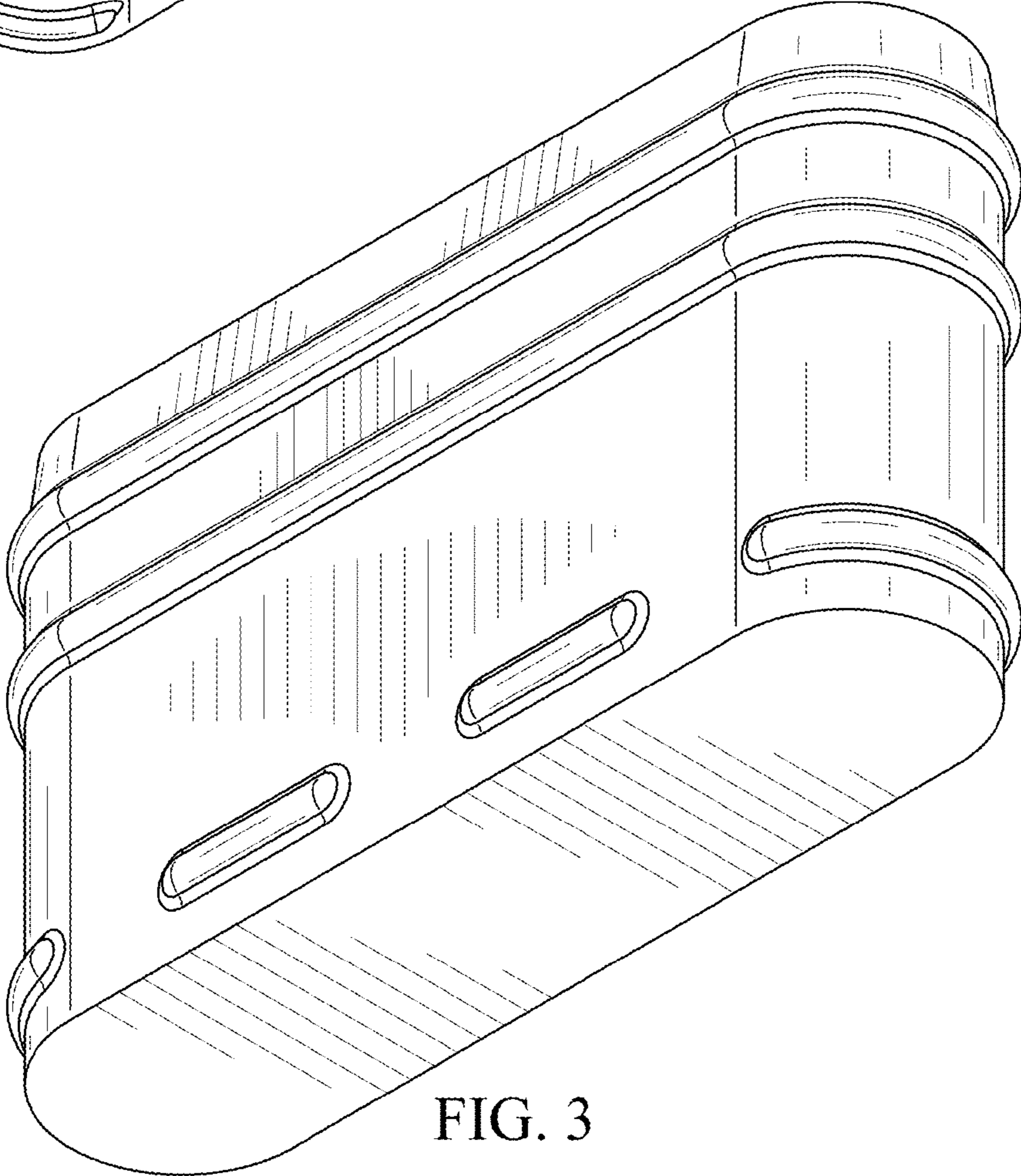


FIG. 3

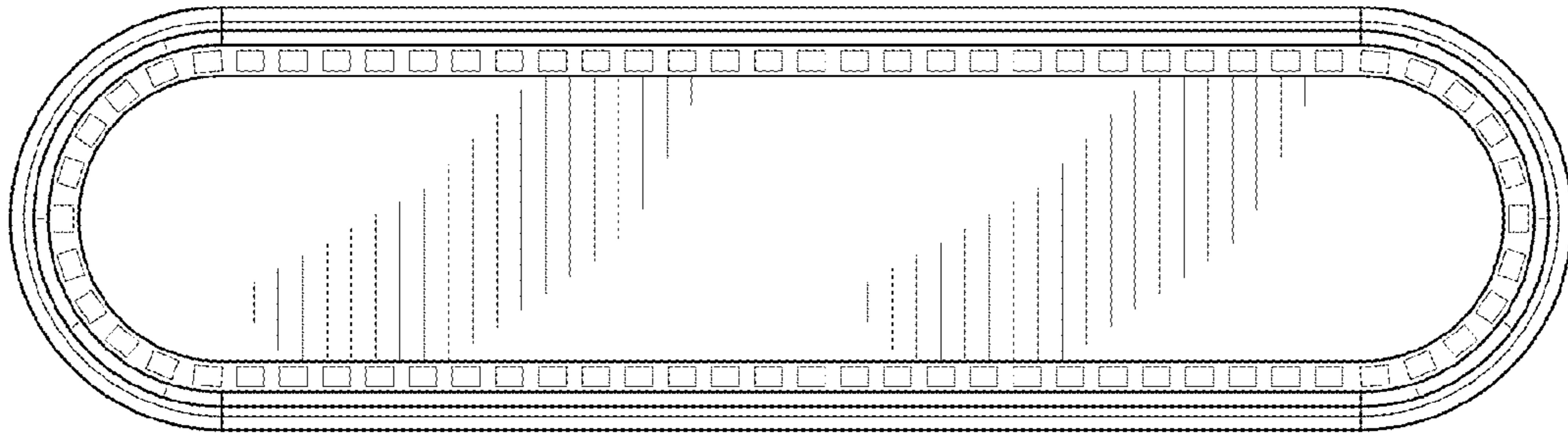


FIG. 4

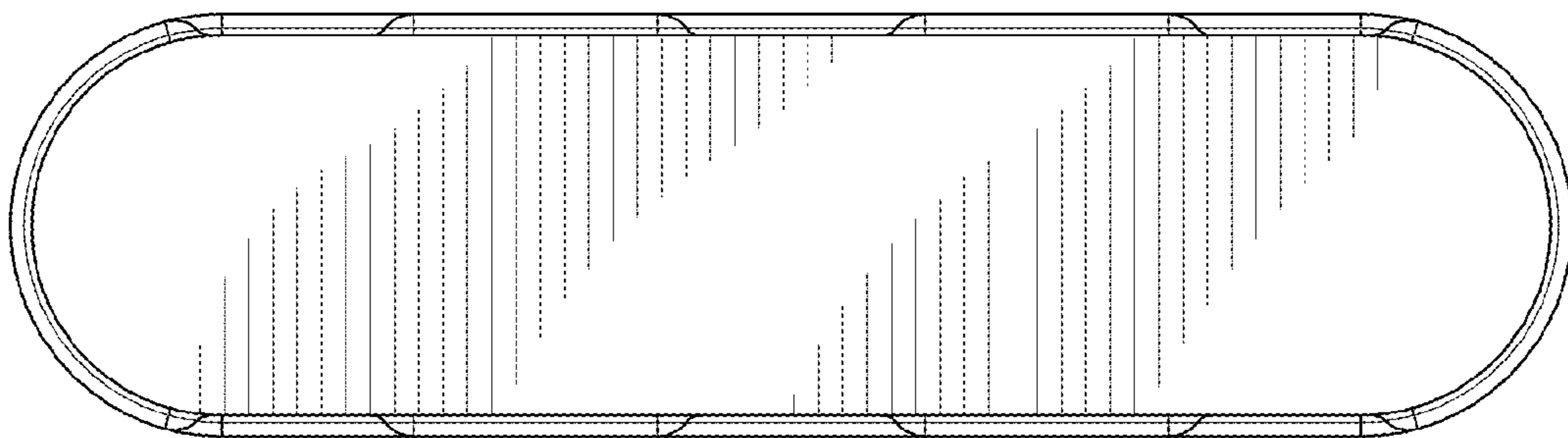


FIG. 5

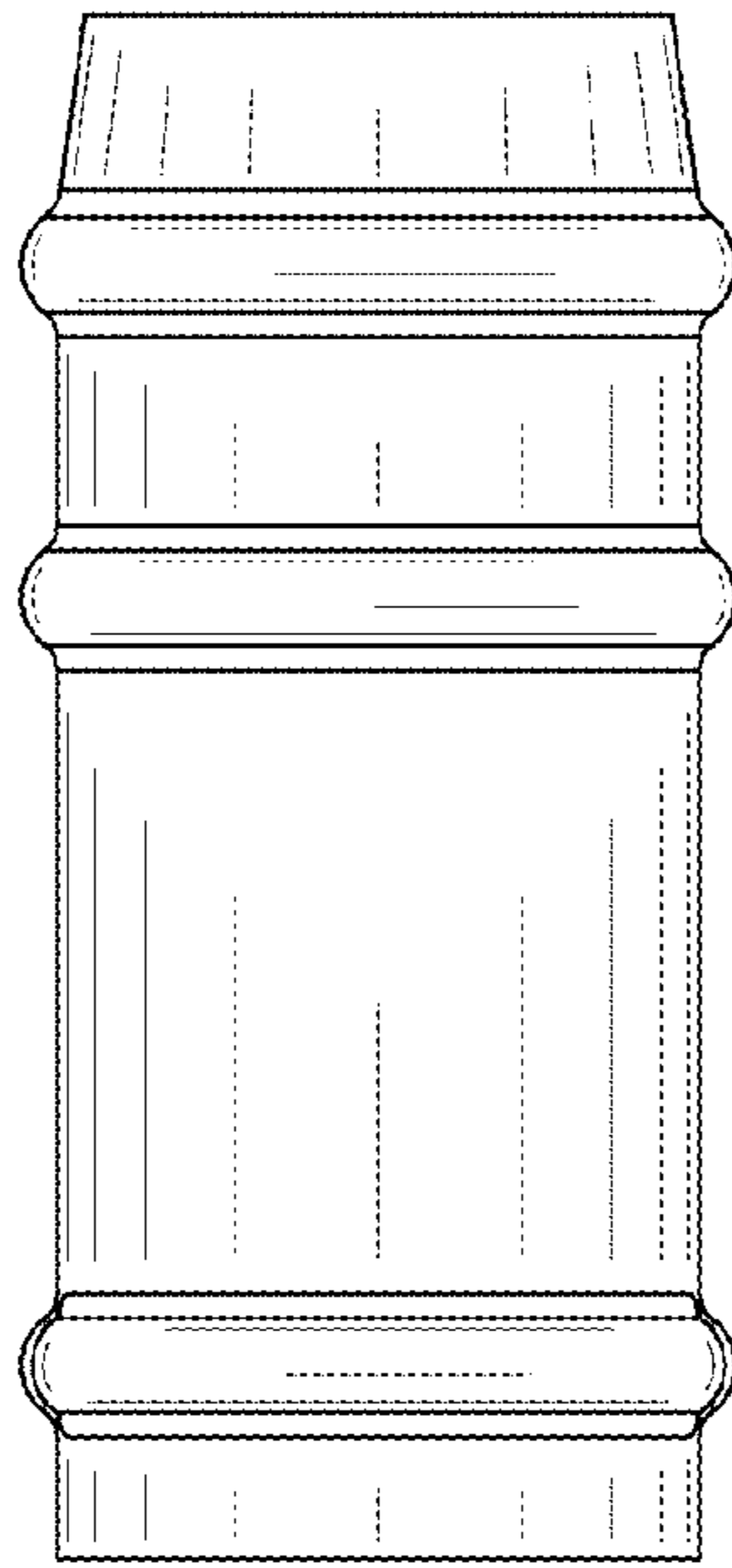


FIG. 6

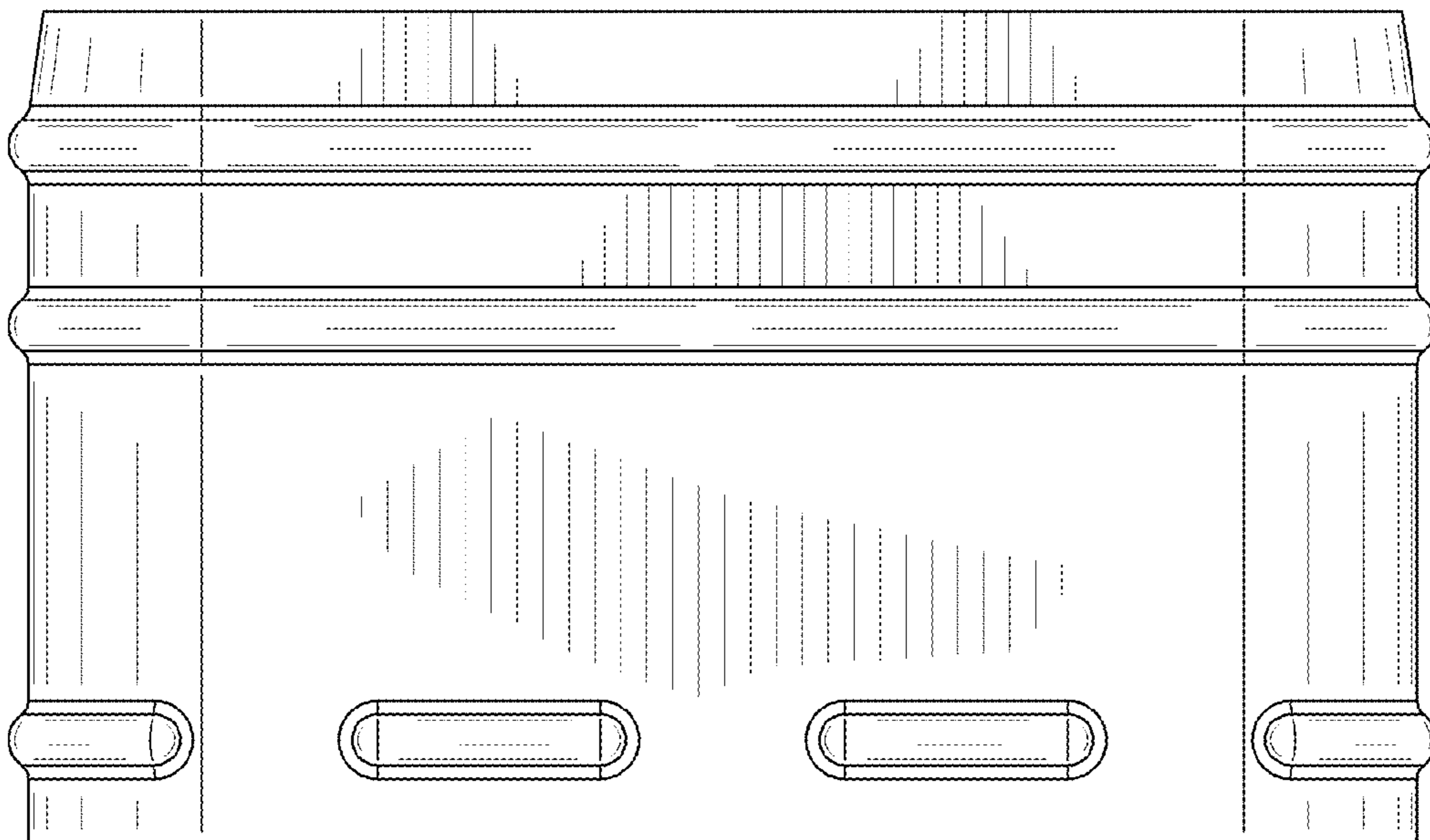


FIG. 7

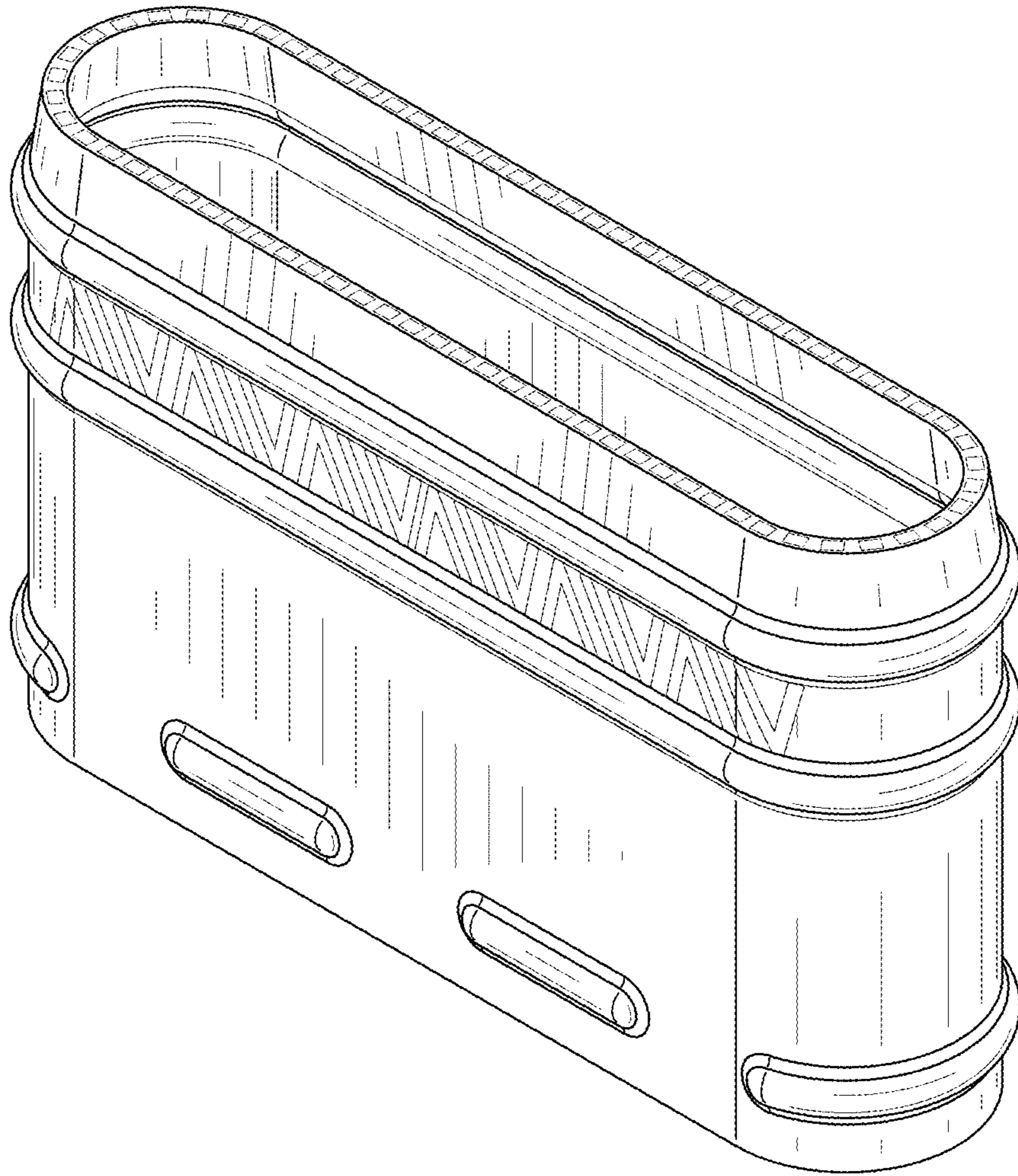


FIG. 8

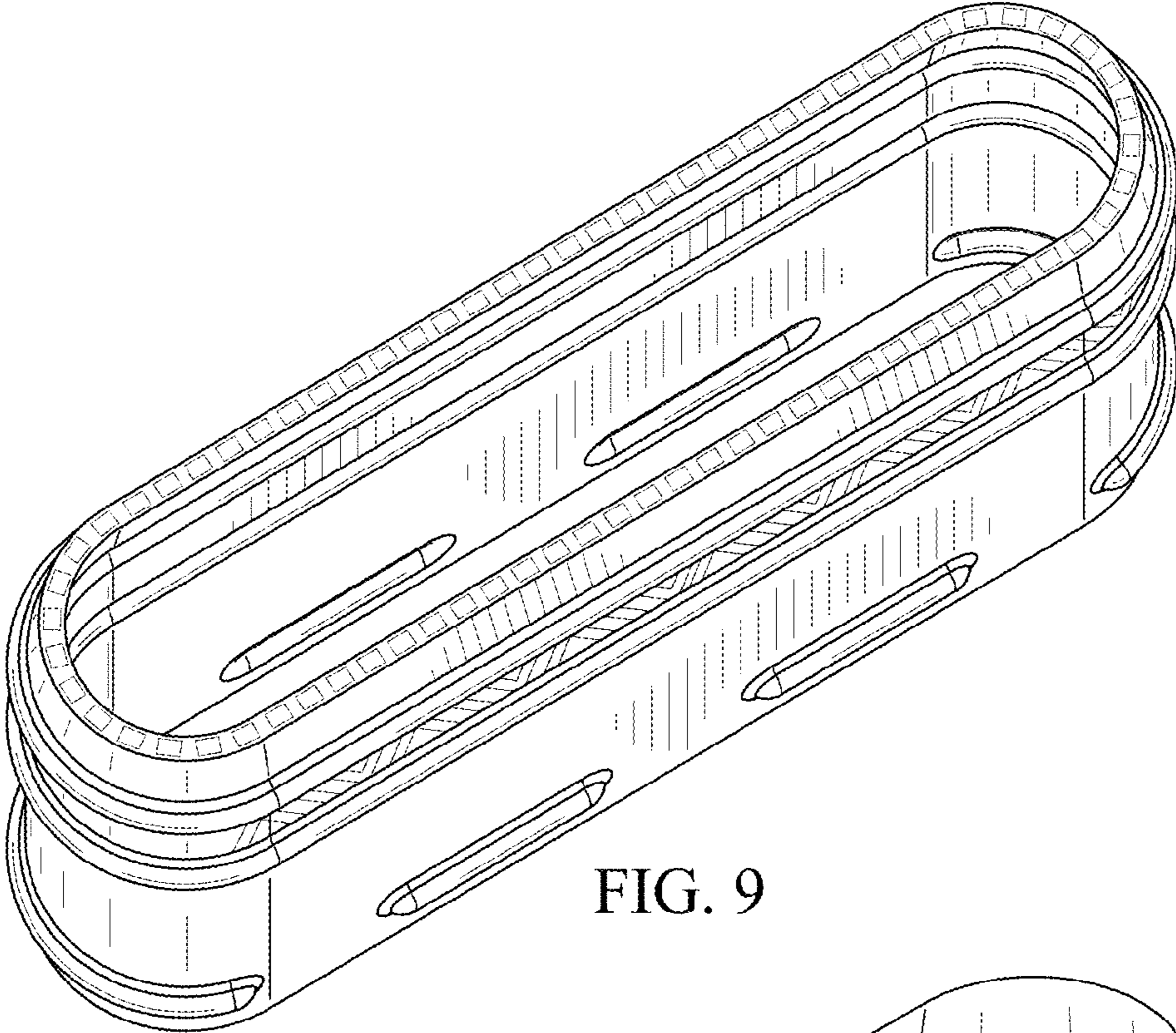


FIG. 9

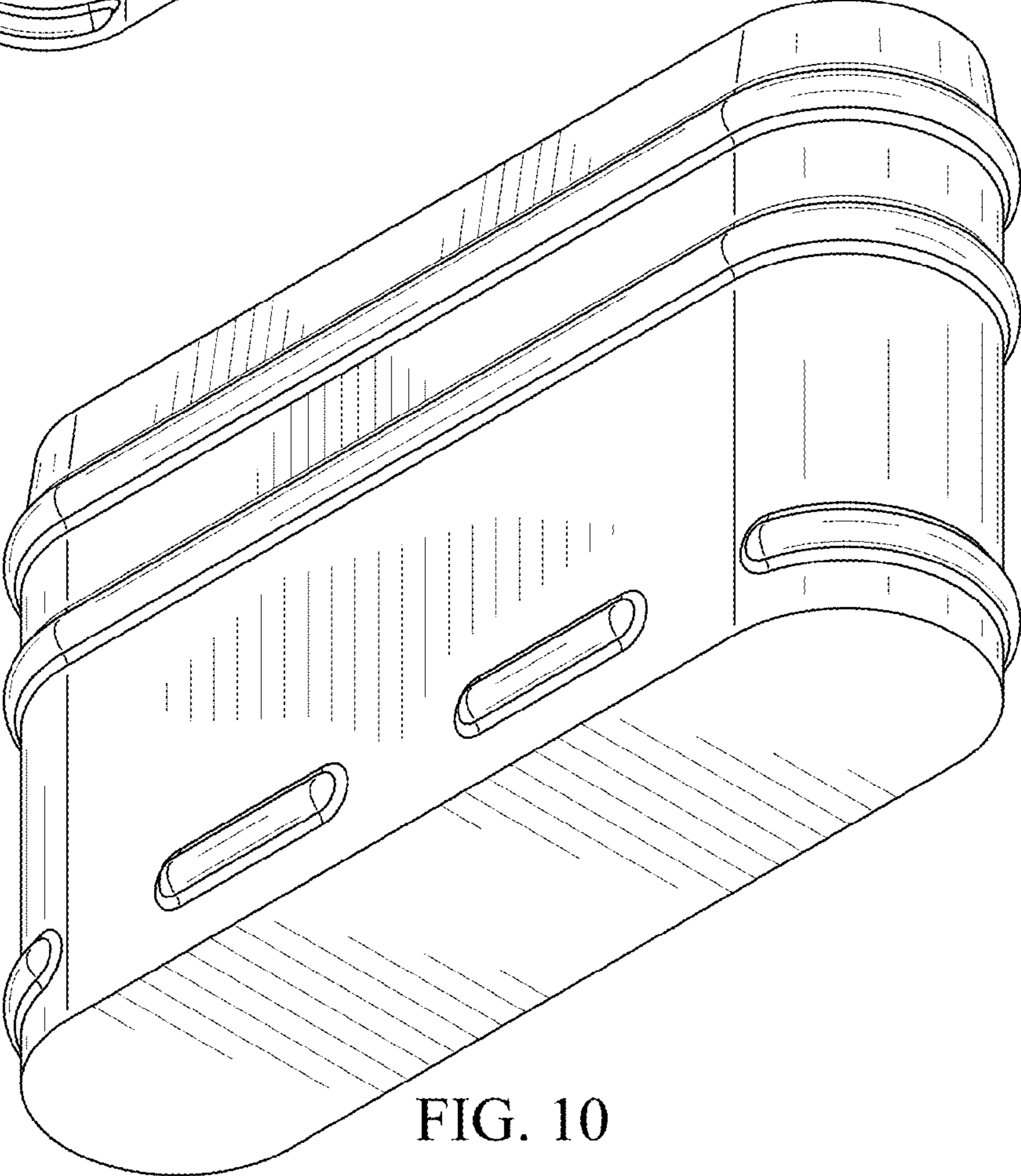


FIG. 10

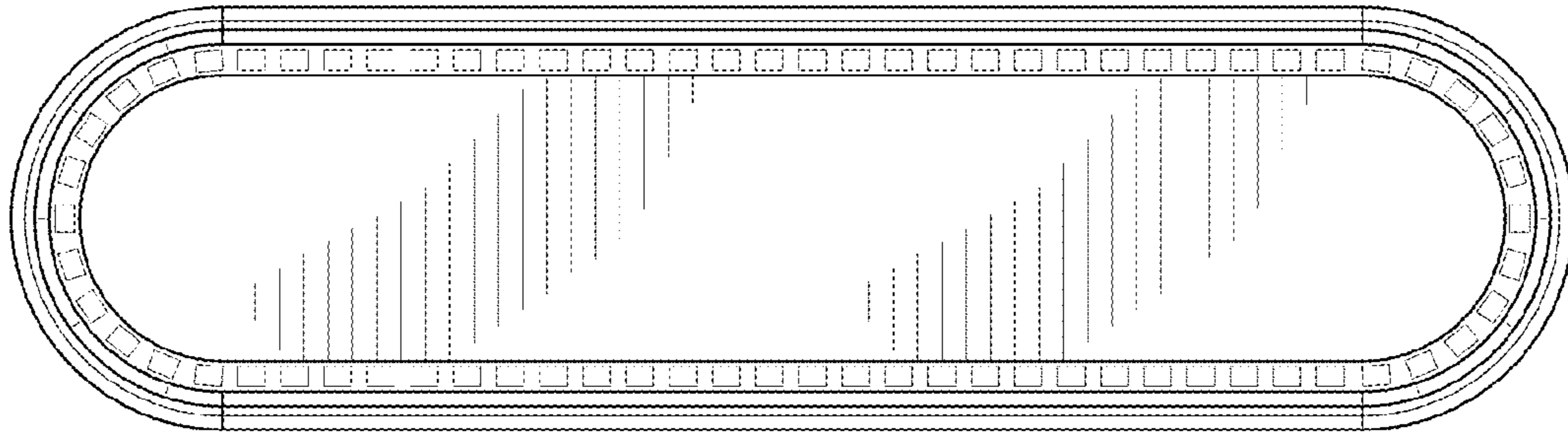


FIG. 11

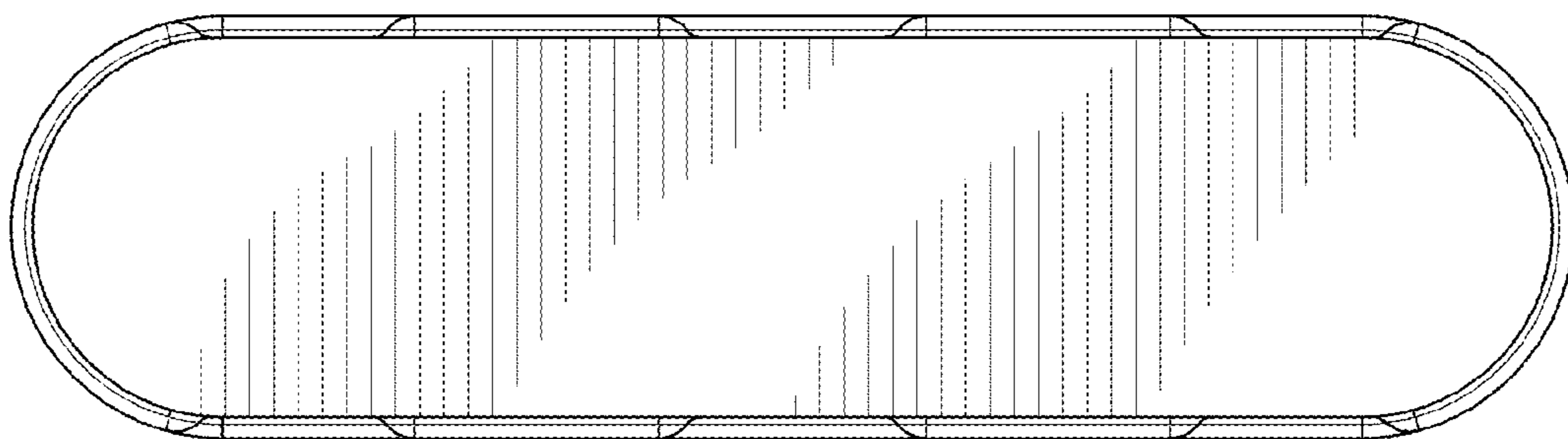


FIG. 12



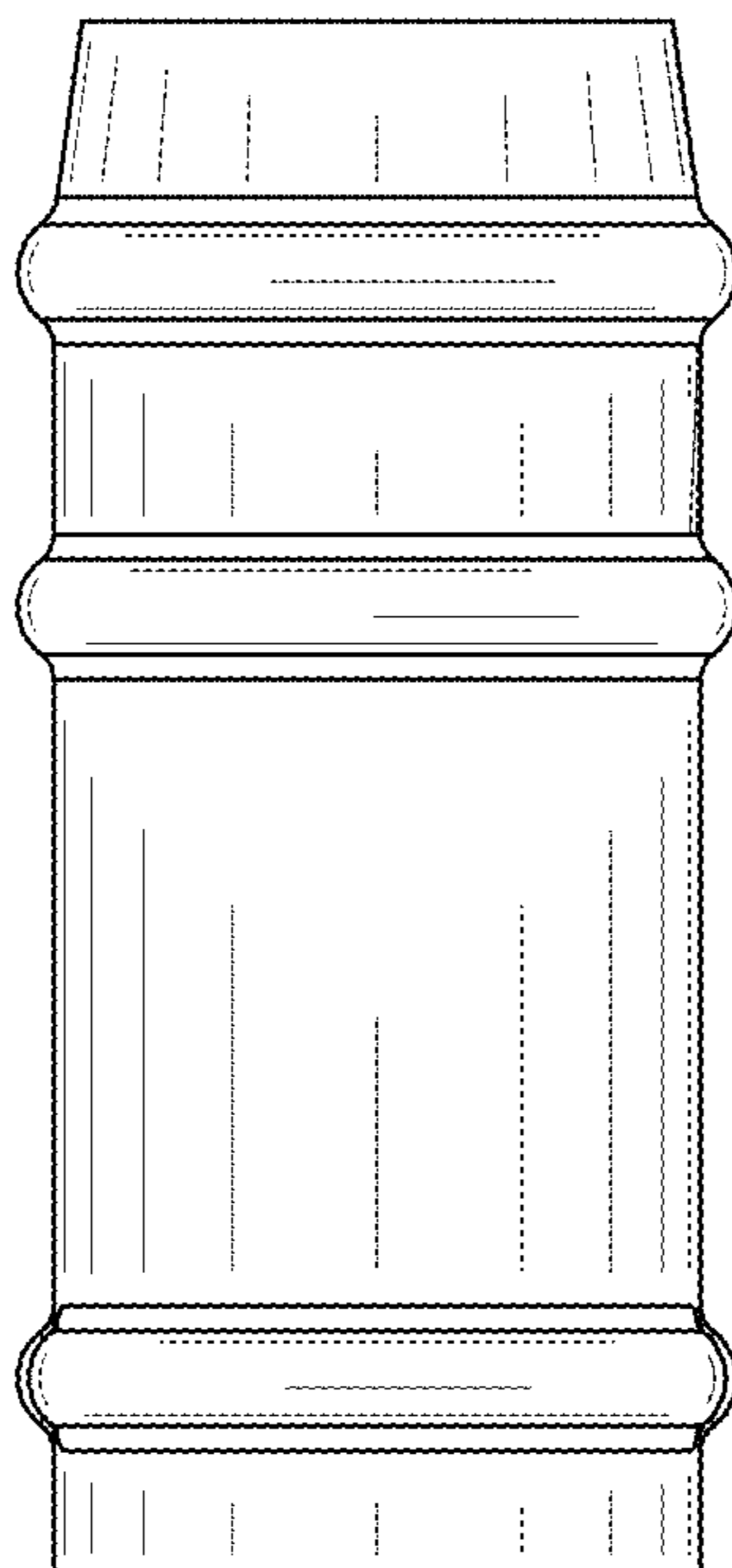


FIG. 13

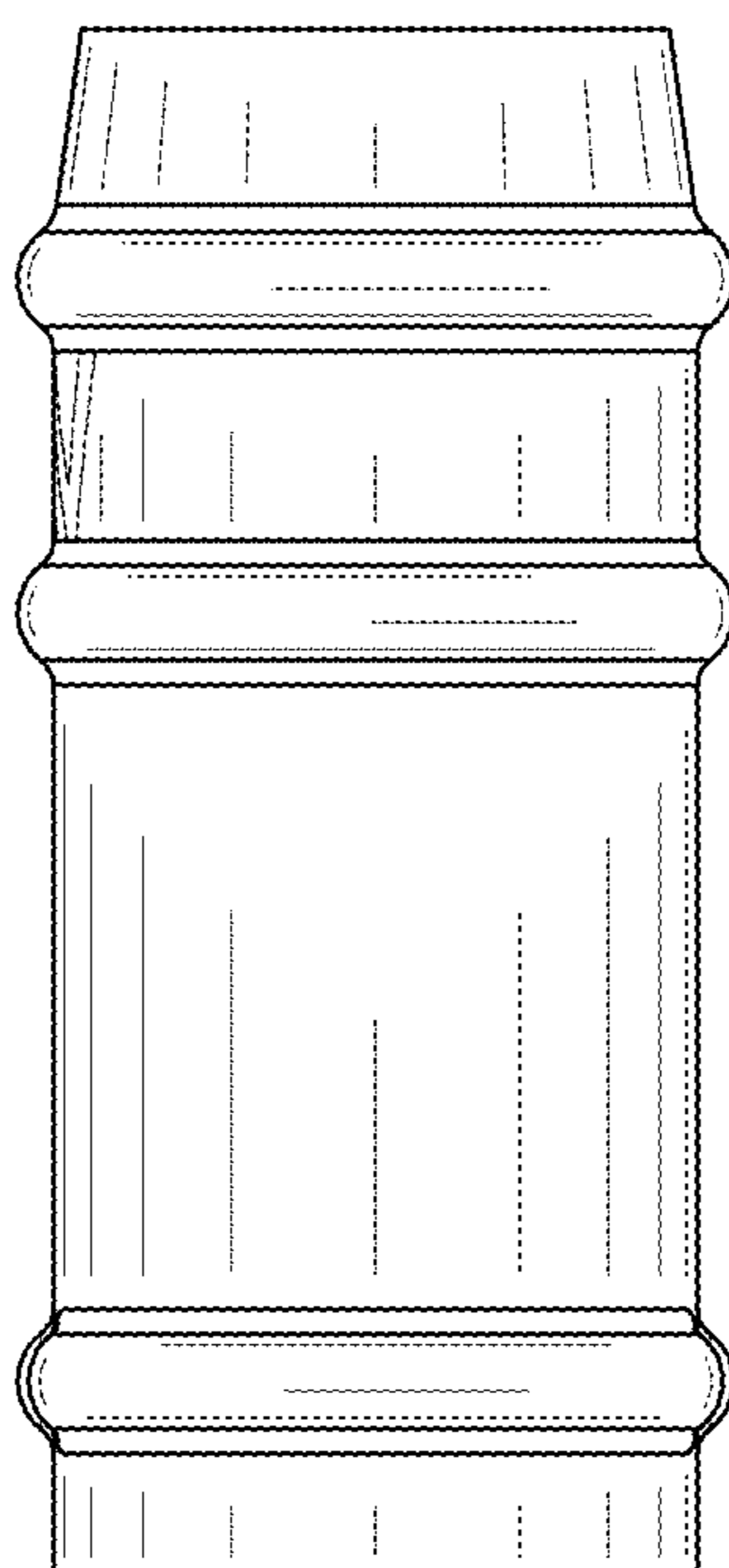


FIG. 14

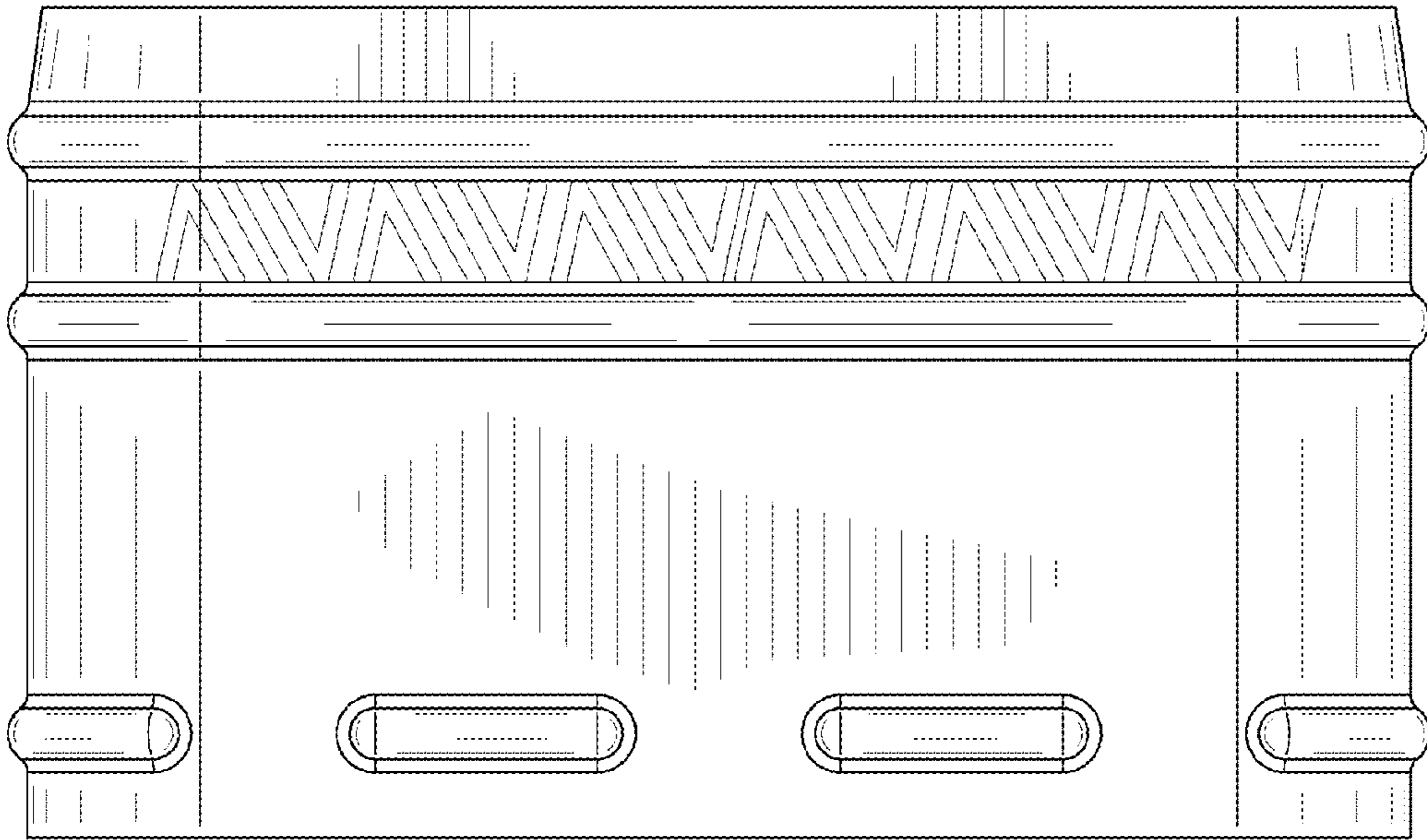


FIG. 15

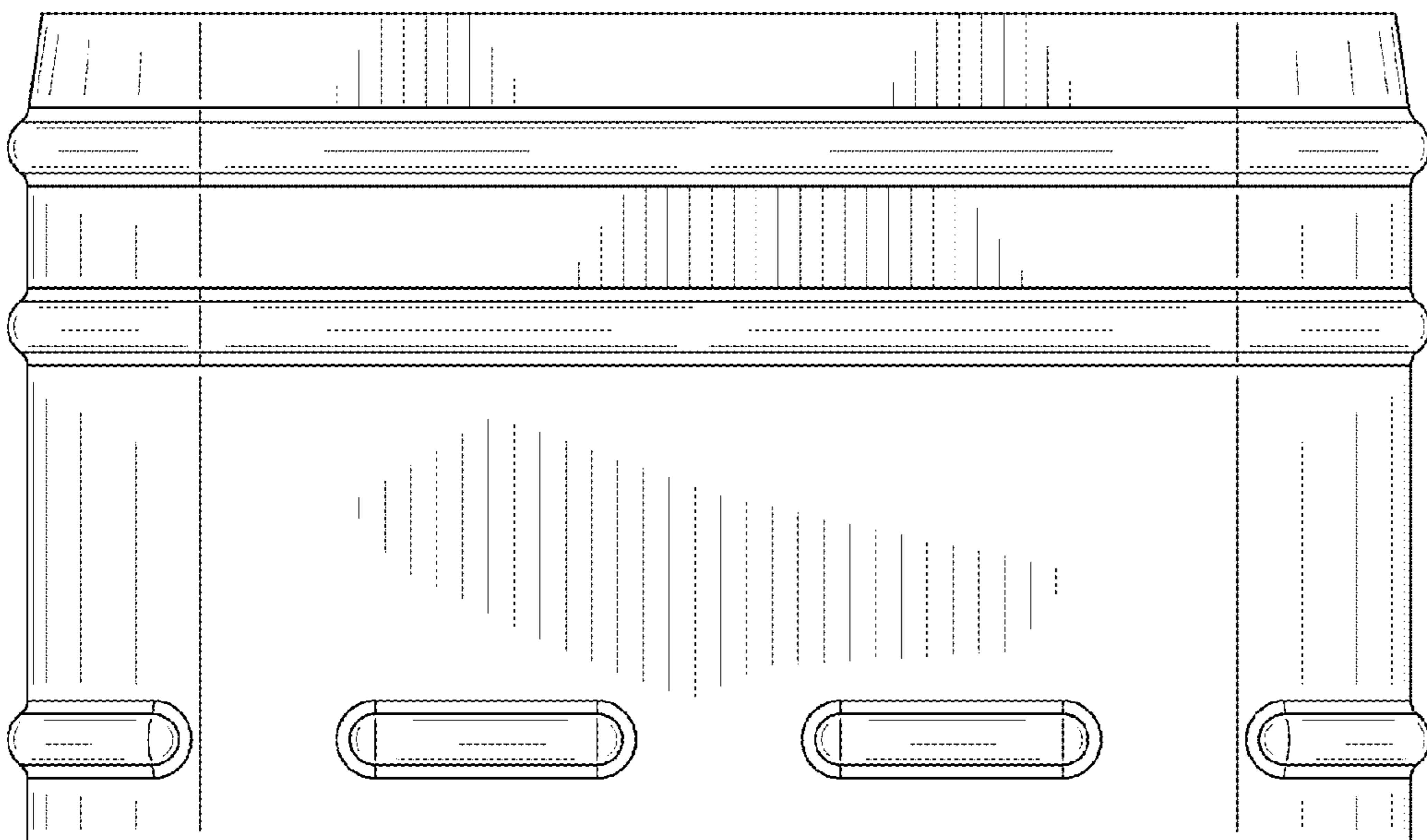


FIG. 16