



US00D762068S

(12) **United States Design Patent**
Bruce

(10) **Patent No.:** **US D762,068 S**
(45) **Date of Patent:** **** Jul. 26, 2016**

(54) **GOLF BAG TOP**
(71) Applicant: **KARSTEN MANUFACTURING CORPORATION**, Phoenix, AZ (US)
(72) Inventor: **Ryan J. Bruce**, Phoenix, AZ (US)
(73) Assignee: **Karsten Manufacturing Corporation**, Phoenix, AZ (US)
(**) Term: **14 Years**

5,099,990 A 3/1992 Antonious
5,431,278 A 7/1995 Gretz
5,450,955 A 9/1995 Olson
D372,362 S 8/1996 Bryant
D373,667 S 9/1996 Hunsaker
D382,406 S 8/1997 Kim
D382,707 S 8/1997 Wang
D385,113 S 10/1997 Beck
D385,114 S 10/1997 Su
D389,311 S 1/1998 Wang
D389,650 S 1/1998 Rhee
5,725,095 A 3/1998 Beck
D402,469 S 12/1998 Suk

(Continued)

(21) Appl. No.: **29/503,877**

(22) Filed: **Sep. 30, 2014**

(51) **LOC (10) Cl.** **03-01**

(52) **U.S. Cl.**
USPC **D3/320**

(58) **Field of Classification Search**
USPC D3/318-320, 254, 255, 259
CPC A63B 55/04; A63B 55/10; A63B 55/40;
A63B 55/408; A63B 55/008; A63B 57/00;
A63B 57/20; A63B 57/203; A63B 57/207;
A63B 2071/024; A45F 5/021; A45F
2005/025; A45F 2005/026; A45F 2005/027;
Y10T 24/3449

See application file for complete search history.

(56) **References Cited**

U.S. PATENT DOCUMENTS

D118,815 S 2/1940 Ferguson
3,331,419 A 7/1967 Bencriscutto
4,596,328 A 6/1986 Solheim
4,600,100 A 7/1986 Solheim
4,667,820 A 5/1987 Solheim
4,834,235 A 5/1989 Solheim
4,844,253 A 7/1989 Reimers
D308,441 S 6/1990 Quellais

OTHER PUBLICATIONS

Ryan J. Bruce et al., "Golf Bag Top," U.S. Appl. No. 29/465,820, filed Aug. 30, 2013.

(Continued)

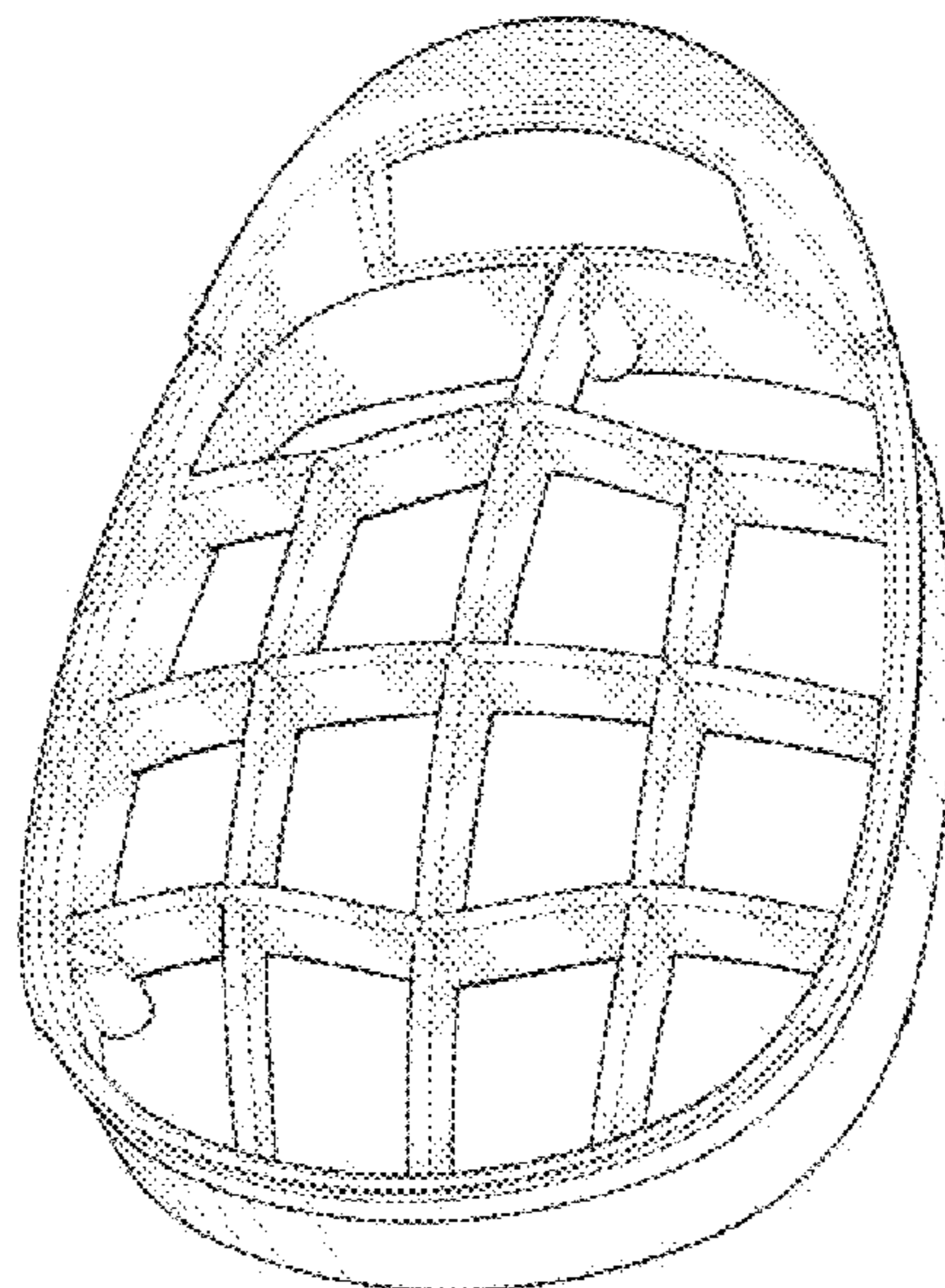
Primary Examiner — Karen S Acker
Assistant Examiner — Carmen Arellano-Lado

(57) **CLAIM**
The ornamental design for a golf bag top, as shown and described.

DESCRIPTION

FIG. 1 is a top perspective view of a golf bag top;
FIG. 2 is a bottom perspective view of the golf bag top of FIG. 1;
FIG. 3 is a bottom view of the golf bag top of FIG. 1;
FIG. 4 is a top view of the golf bag top of FIG. 1;
FIG. 5 is a front view of the golf bag top of FIG. 1;
FIG. 6 is a rear view of the golf bag top of FIG. 1;
FIG. 7 is a left side view of the golf bag top of FIG. 1; and,
FIG. 8 is a right side view of the golf bag top of FIG. 1.

1 Claim, 6 Drawing Sheets



(56)

References Cited

U.S. PATENT DOCUMENTS

D406,459 S 3/1999 Sundara
 5,941,383 A 8/1999 Chen
 D421,839 S 3/2000 Beck
 D422,789 S 4/2000 Sundara
 D422,791 S 4/2000 Han
 D429,416 S 8/2000 Heidenreich
 6,148,998 A 11/2000 Tan
 D434,905 S 12/2000 Ryan
 6,199,690 B1 3/2001 Shin
 D442,783 S 5/2001 Pratt et al.
 D450,188 S 11/2001 Maeng
 D454,249 S 3/2002 Schmidt
 6,450,334 B1 9/2002 Chang
 6,494,416 B2 12/2002 Wang
 6,513,653 B1 2/2003 Chen
 6,564,936 B1 5/2003 Campbell
 6,568,527 B1 5/2003 Te-Pin
 D478,422 S 8/2003 Chen
 D487,543 S 3/2004 Chang
 6,726,009 B1 4/2004 Larson
 D493,620 S 8/2004 Reimers
 D494,761 S 8/2004 Gray
 6,817,469 B2 11/2004 Chang
 D501,604 S 2/2005 Kadoya
 6,877,604 B2 4/2005 Pratt
 D512,838 S 12/2005 Schmidt
 D513,125 S 12/2005 Anderson
 D513,876 S 1/2006 Solheim
 D513,877 S 1/2006 Solheim
 D513,878 S 1/2006 Anderson
 D515,316 S 2/2006 Chang
 D517,808 S 3/2006 Reimers
 7,014,040 B2 3/2006 Anderson
 D520,751 S 5/2006 Chang
 D520,752 S 5/2006 Solheim
 D522,754 S 6/2006 Anderson
 D523,639 S 6/2006 Vosloo
 D523,640 S 6/2006 Vosloo
 D525,034 S 7/2006 Vosloo
 D526,124 S 8/2006 Vosloo
 D530,922 S 10/2006 Anderson
 7,124,887 B2 10/2006 Reimers

D534,355 S 1/2007 Renahan
 D537,252 S 2/2007 Vosloo
 D537,634 S 3/2007 Renahan
 D538,042 S 3/2007 Suggs
 7,216,762 B2 5/2007 Chen
 D544,210 S 6/2007 McGuire
 D546,064 S 7/2007 Vosloo
 D546,561 S 7/2007 Vosloo
 D557,501 S 12/2007 Suggs
 D557,502 S 12/2007 Quartarone
 D566,398 S 4/2008 Hooley
 D566,965 S 4/2008 Hooley
 D566,966 S 4/2008 Hooley
 7,357,251 B2 4/2008 Vosloo
 D577,916 S 10/2008 Quartarone
 D580,656 S 11/2008 Quartarone
 D613,063 S 4/2010 Quartarone
 D613,064 S 4/2010 Quartarone
 D613,065 S 4/2010 McGuire
 D613,066 S 4/2010 McGuire
 D632,890 S 2/2011 Reimers
 D632,891 S 2/2011 Reimers
 7,909,215 B2 3/2011 McGuire
 D649,353 S 11/2011 Loudenslager
 D649,354 S 11/2011 Loudenslager
 D649,355 S 11/2011 Loudenslager
 D649,356 S 11/2011 Loudenslager
 D654,268 S 2/2012 Boncimino et al.
 D669,266 S 10/2012 Loudenslager
 D688,463 S 8/2013 Seidner et al.
 D713,148 S 9/2014 Bruce
 D715,055 S * 10/2014 Bruce D3/255
 D718,534 S * 12/2014 Bruce D3/320
 2001/0025802 A1 10/2001 Sutter
 2002/0179466 A1 12/2002 Maeng
 2002/0189962 A1 12/2002 Chen
 2004/0211688 A1 10/2004 Doss
 2005/0092630 A1 5/2005 Chen

OTHER PUBLICATIONS

Big Max Golf. Web May 22, 2014. <<http://bigmaxgolf.com/en/products/golf-bags/concourse>>.

* cited by examiner

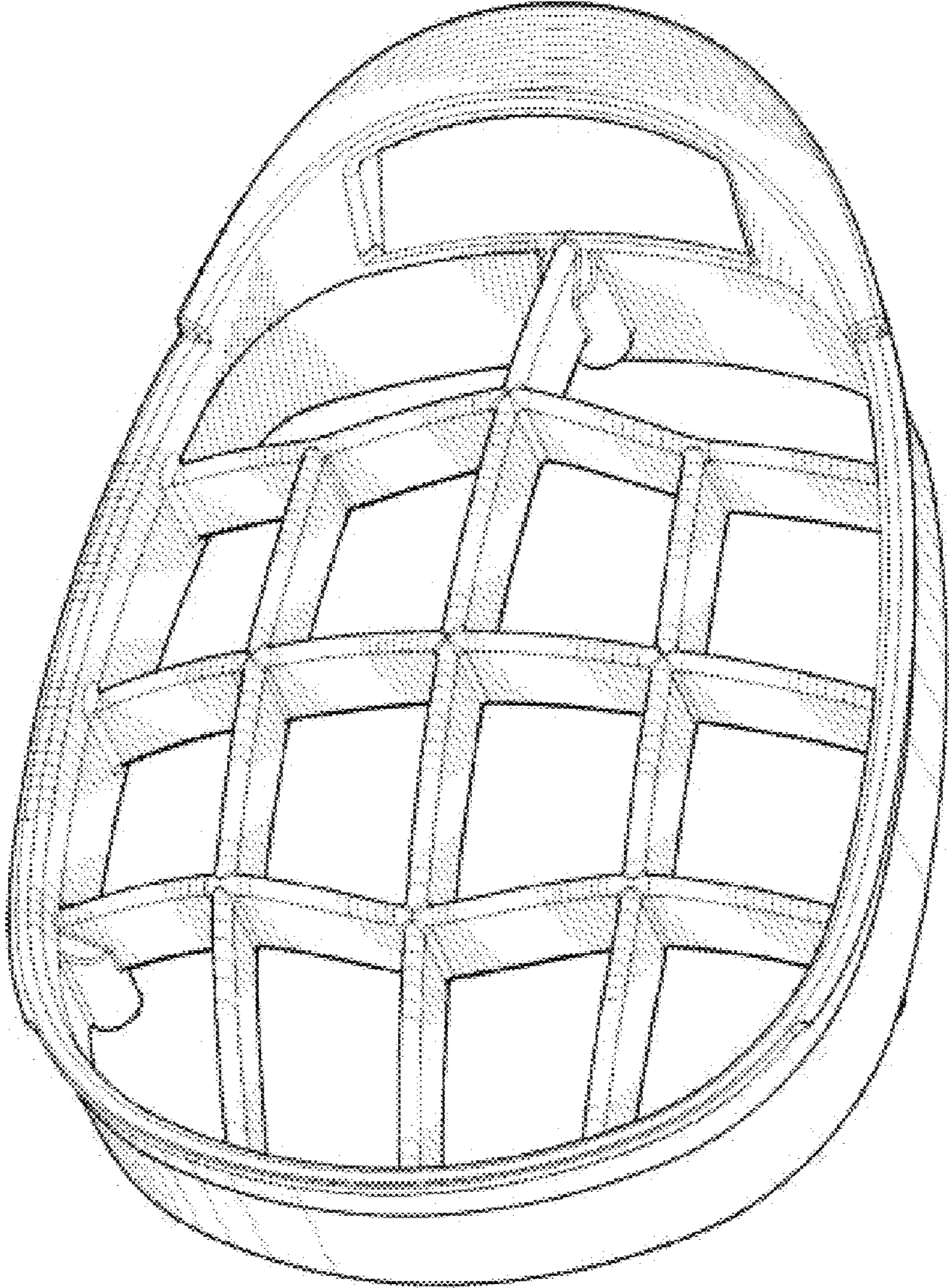


Fig. 1

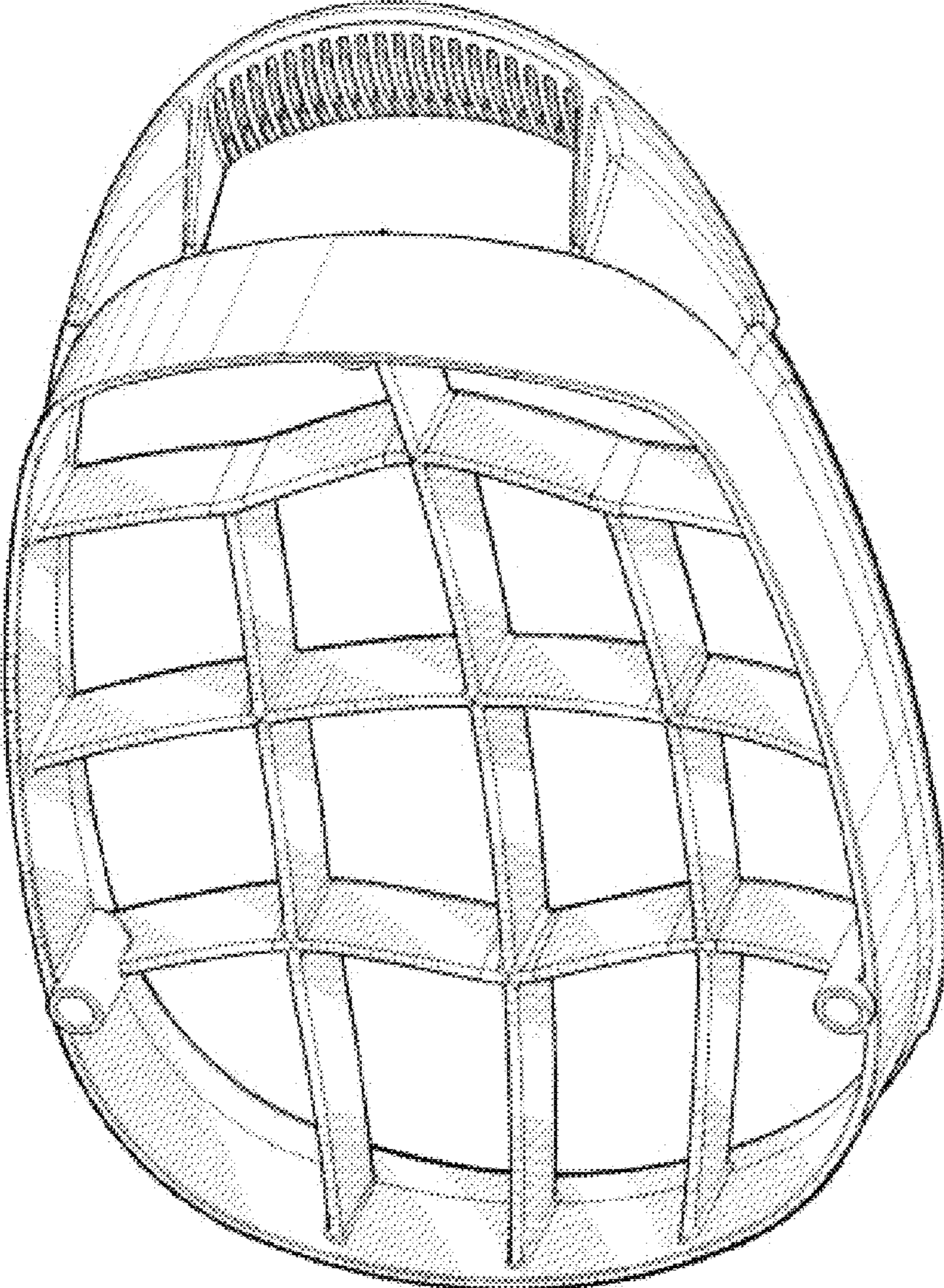


Fig. 2

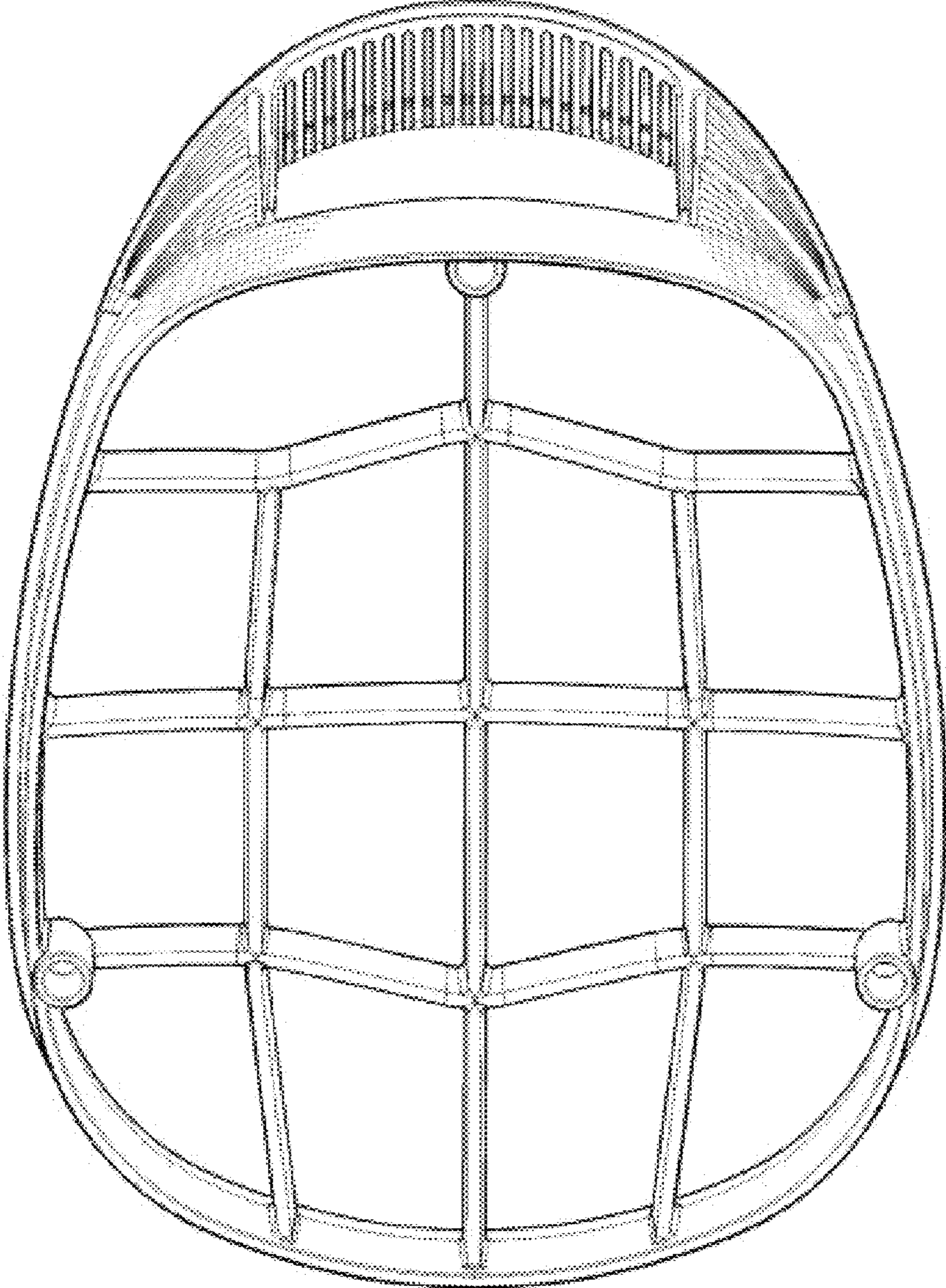


Fig. 3

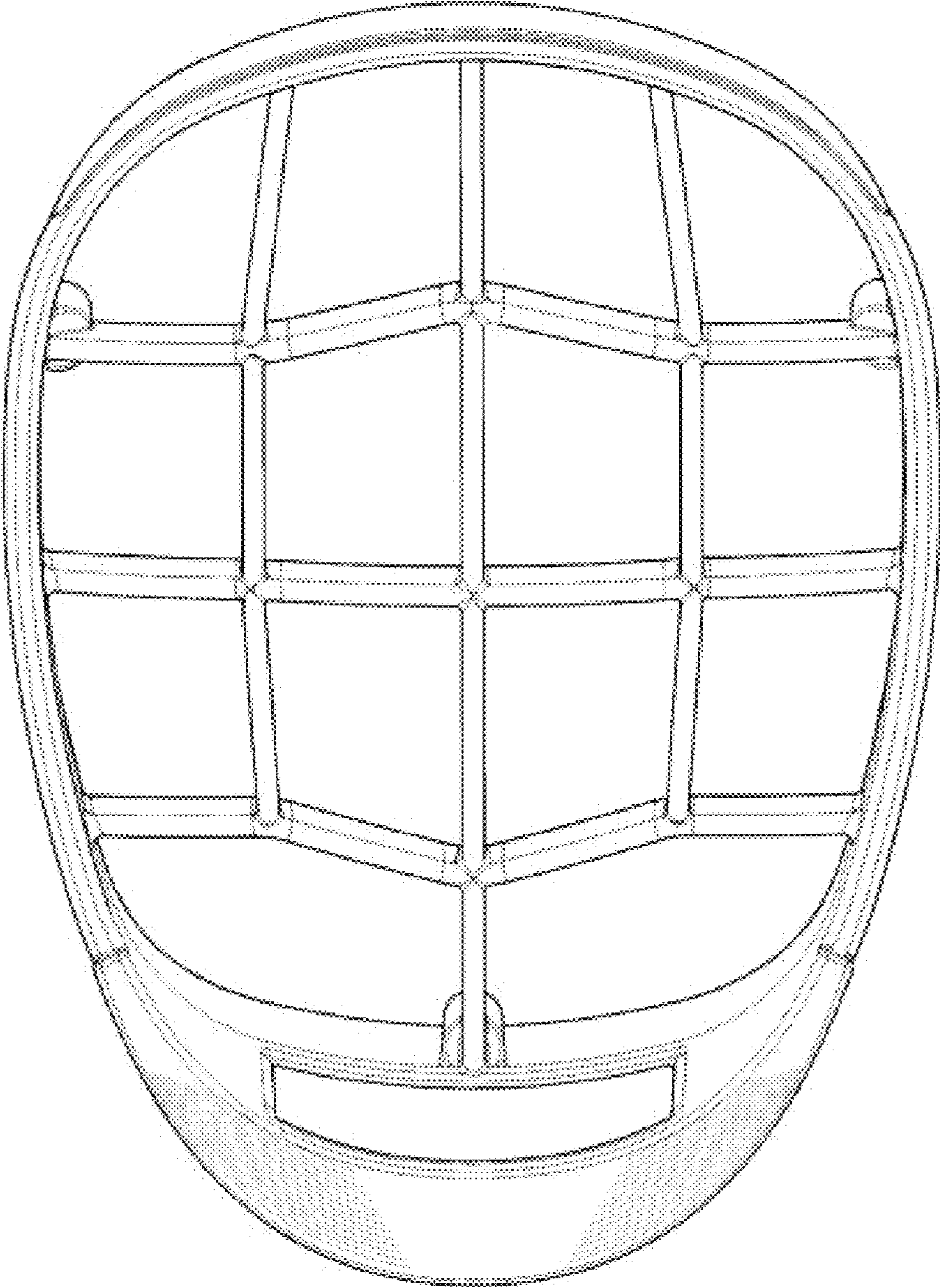


Fig. 4

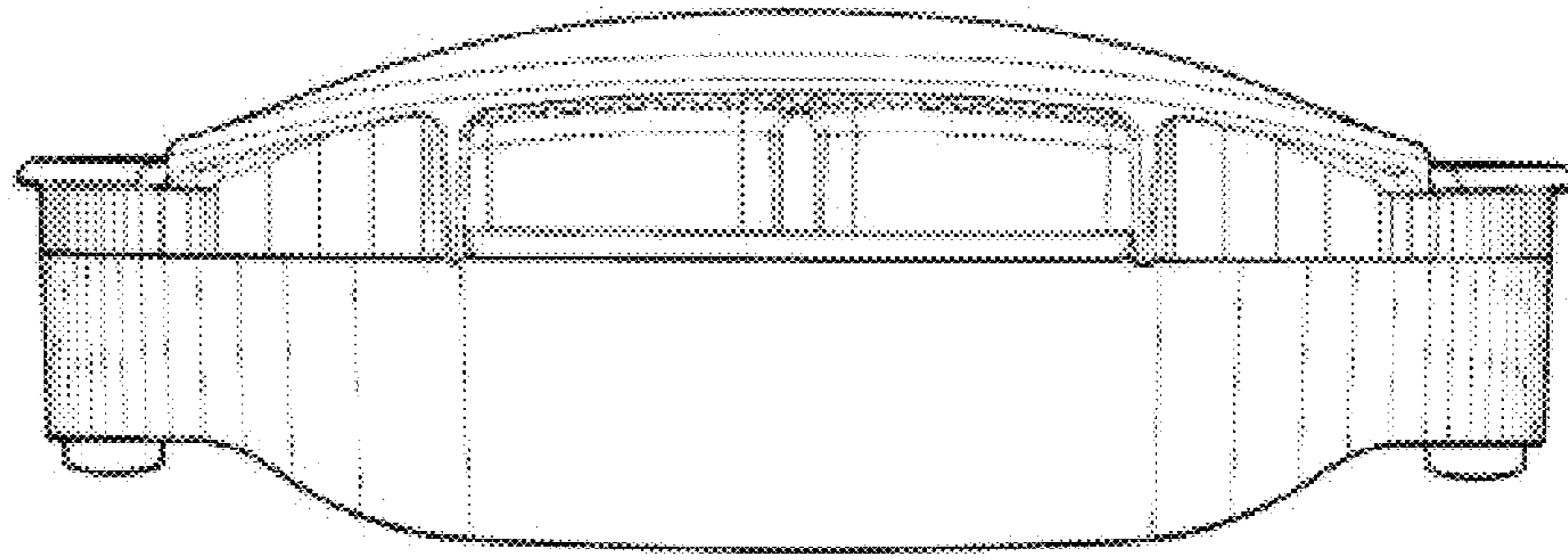


Fig. 5

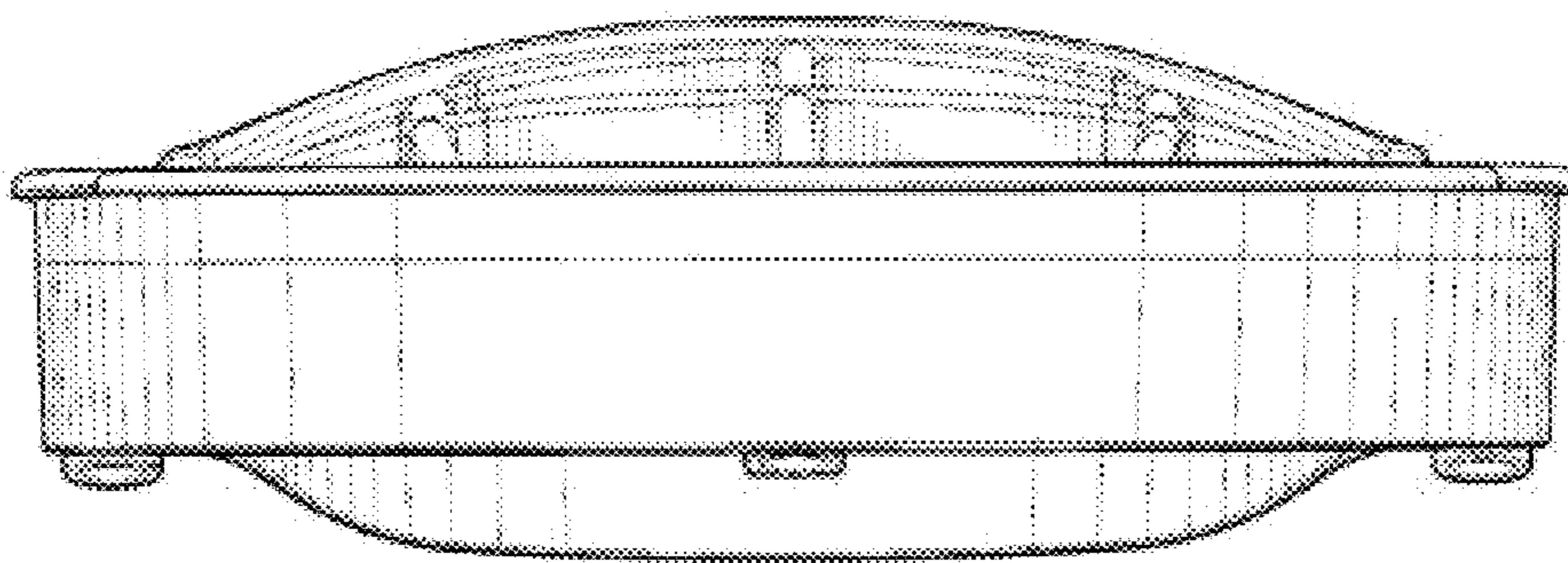


Fig. 6

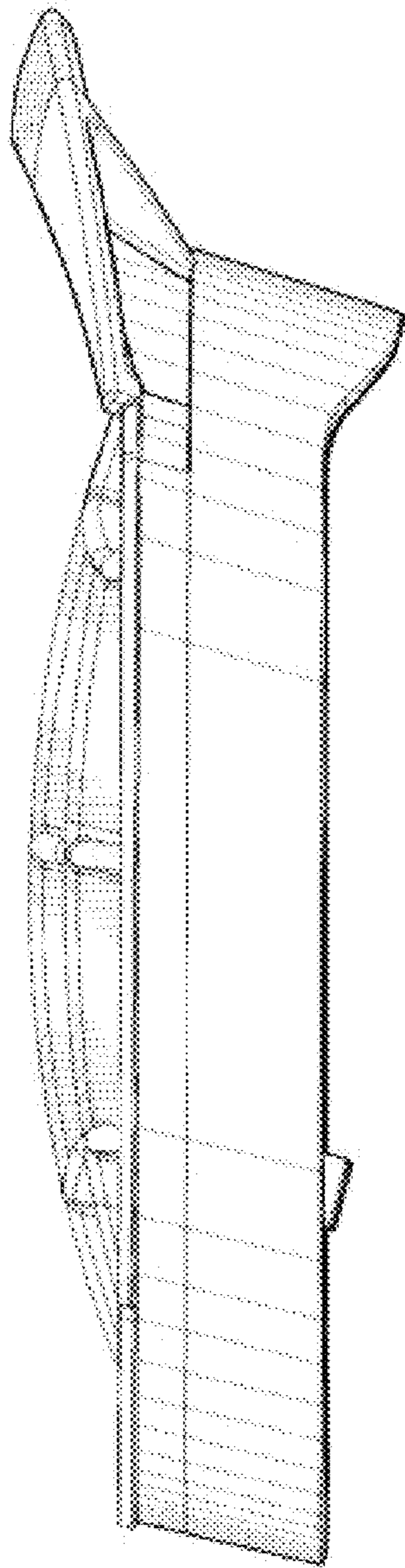


Fig. 7

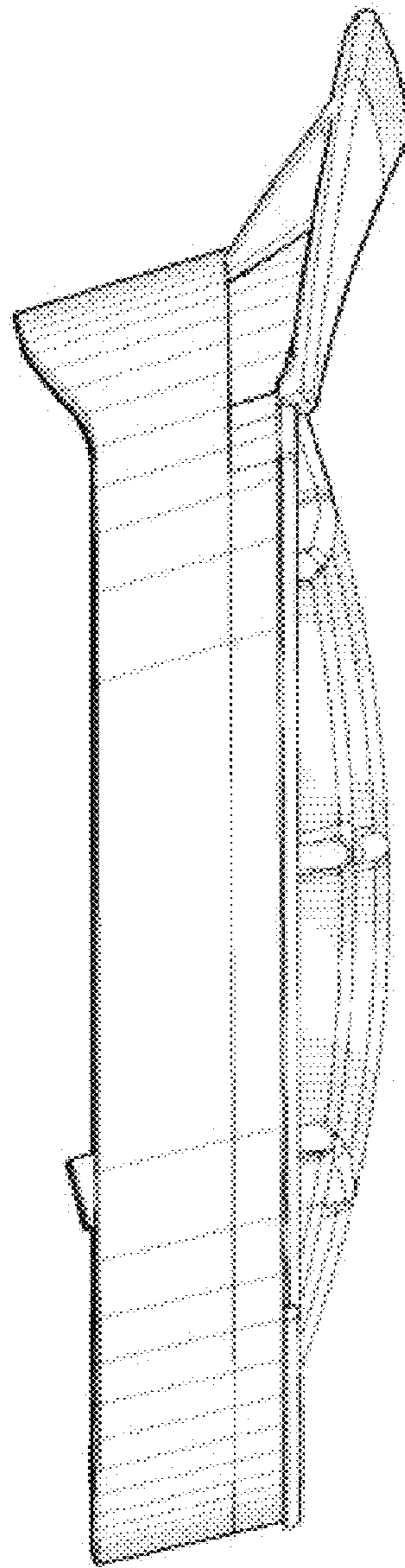


Fig. 8