



US00D762065S

(12) **United States Design Patent**  
**Hsu**

(10) **Patent No.:** **US D762,065 S**  
(45) **Date of Patent:** **\*\* Jul. 26, 2016**

(54) **CONTAINER**

(71) Applicant: **L&F PLASTICS, CO., LTD.**, Miaoli County (TW)

(72) Inventor: **Mu-Chuan Hsu**, Miaoli County (TW)

(73) Assignee: **L&F Plastics, Co., Ltd.**, Miaoli County (TW)

(\*\*) Term: **14 Years**

(21) Appl. No.: **29/522,254**

(22) Filed: **Mar. 30, 2015**

(30) **Foreign Application Priority Data**

Dec. 9, 2014 (TW) ..... 103306829 D01  
Dec. 9, 2014 (TW) ..... 103306829 D02  
Dec. 12, 2014 (TW) ..... 103306829 D03  
Dec. 12, 2014 (TW) ..... 103306829 D04

(51) **LOC (10) Cl.** ..... **03-01**

(52) **U.S. Cl.**  
USPC ..... **D3/304**

(58) **Field of Classification Search**  
USPC ..... D3/203.1, 203.6, 225, 218, 273, 302,  
D3/304, 314; 206/503–506, 508, 510, 512,  
206/514–515; D30/161  
CPC .... A45C 13/083; A47F 1/04; B65D 71/0003;  
B65D 2543/00222; B65D 2543/00296  
See application file for complete search history.

(56) **References Cited**

**U.S. PATENT DOCUMENTS**

1,862,609 A \* 6/1932 Shaw ..... B65D 21/0213  
206/509  
2,677,483 A \* 5/1954 Shaw ..... A47B 88/06  
15/DIG. 9  
D309,970 S \* 8/1990 Embree ..... D3/304

D311,799 S \* 10/1990 Embree ..... D3/294  
5,147,044 A \* 9/1992 DiSesa, Jr. .... B65D 21/064  
206/501  
D361,664 S \* 8/1995 Brown ..... D3/315  
5,445,397 A \* 8/1995 Evans ..... B62B 1/10  
206/505  
D429,882 S \* 8/2000 Lee ..... D3/294  
D515,313 S \* 2/2006 Uffner ..... D3/273  
7,789,238 B2 \* 9/2010 Claypool ..... A47F 3/145  
206/508  
D636,198 S \* 4/2011 Gibbs ..... D6/513  
D645,902 S \* 9/2011 Tsai ..... D19/90  
D646,057 S \* 10/2011 Loaiza ..... D3/273  
D651,801 S \* 1/2012 Brown ..... D3/304  
D676,238 S \* 2/2013 Wu ..... D3/294

(Continued)

*Primary Examiner* — Kelley Donnelly

(74) *Attorney, Agent, or Firm* — Alan D. Kamrath; Kamrath IP Lawfirm, P.A.

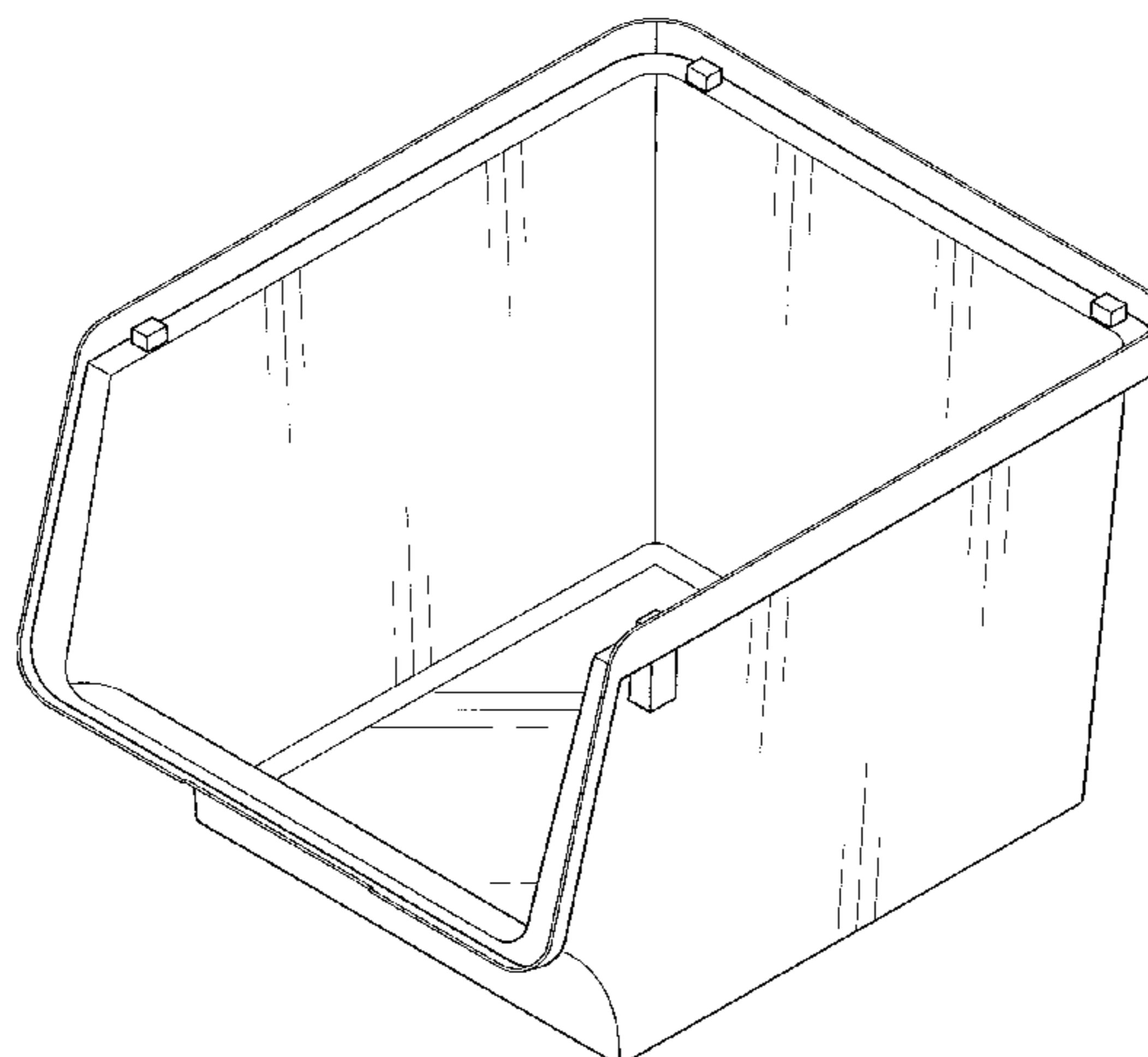
(57) **CLAIM**

The ornamental design for container, as shown and described.

**DESCRIPTION**

FIG. 1 is a perspective view of a first embodiment of a container showing my new design;  
FIG. 2 is a front view thereof;  
FIG. 3 is a rear view thereof;  
FIG. 4 is a left view thereof;  
FIG. 5 is a right view thereof;  
FIG. 6 is a top plan view thereof;  
FIG. 7 is a bottom plan view thereof;  
FIG. 8 is a perspective view of a second embodiment of a container showing my new design;  
FIG. 9 is a front view of the container of FIG. 8;  
FIG. 10 is a rear view of the container of FIG. 8;  
FIG. 11 is a left view of the container of FIG. 8;  
FIG. 12 is a right view of the container of FIG. 8;  
FIG. 13 is a top plan view of the container of FIG. 8; and,  
FIG. 14 is a bottom plan view of the container of FIG. 8.

**1 Claim, 10 Drawing Sheets**



# US D762,065 S

Page 2

---

(56)

## References Cited

### U.S. PATENT DOCUMENTS

D677,055 S *	3/2013	Nowicky .....	D3/304	D699,045 S *	2/2014	Gomes .....	D6/513
D689,194 S *	9/2013	Vivenzio .....	D24/229	D719,731 S *	12/2014	Burgess .....	D3/299
D694,975 S *	12/2013	Lambertson, Jr. ....	D32/53	D720,358 S *	12/2014	Ginsterblum .....	D14/447
D697,310 S *	1/2014	Snider .....	D3/306	2006/0124653 A1 *	6/2006	McRorie, III .....	B65F 1/1607 220/735
				2010/0006467 A1 *	1/2010	Joseph .....	B65D 1/22 206/508

\* cited by examiner

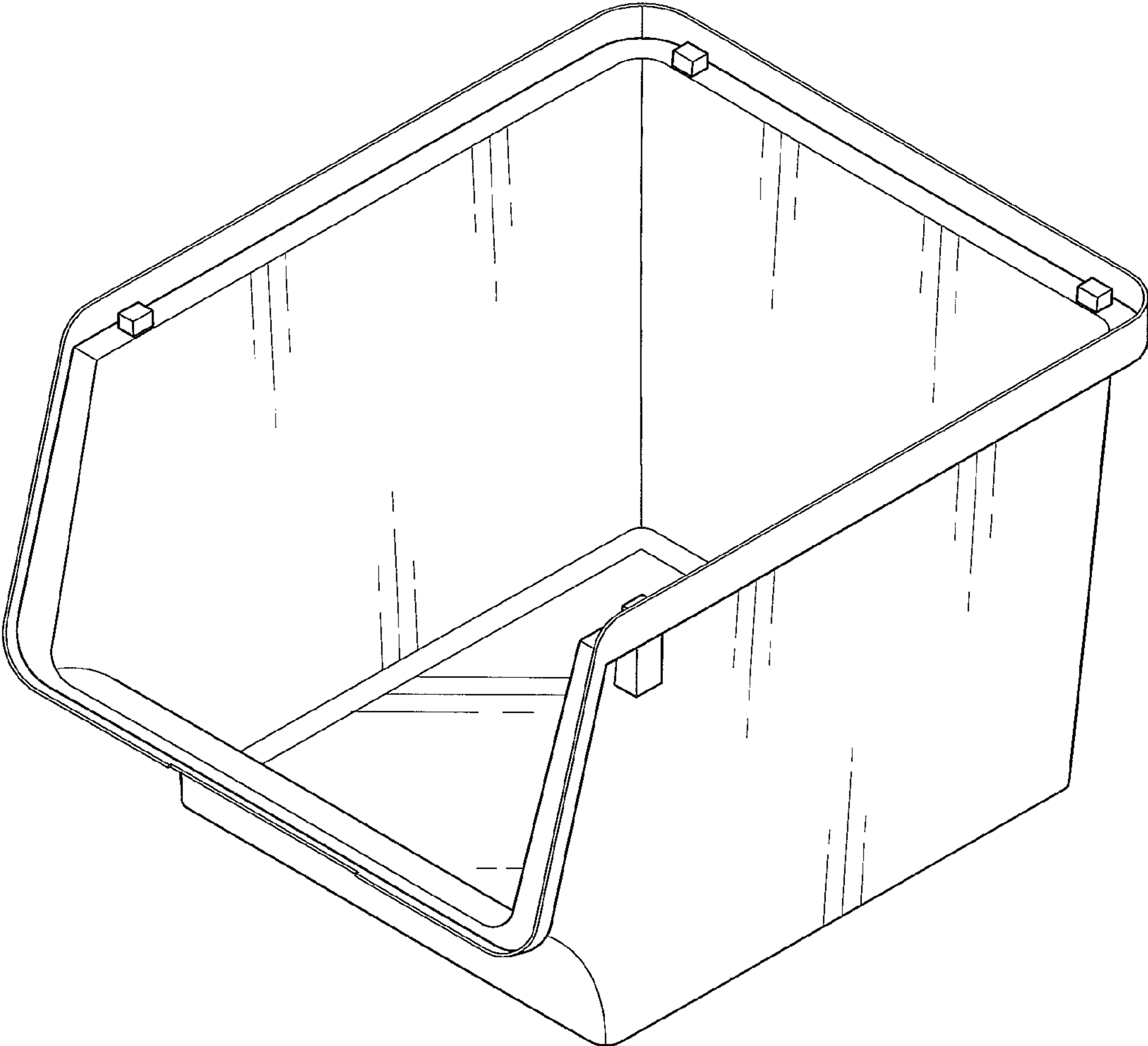


FIG. 1

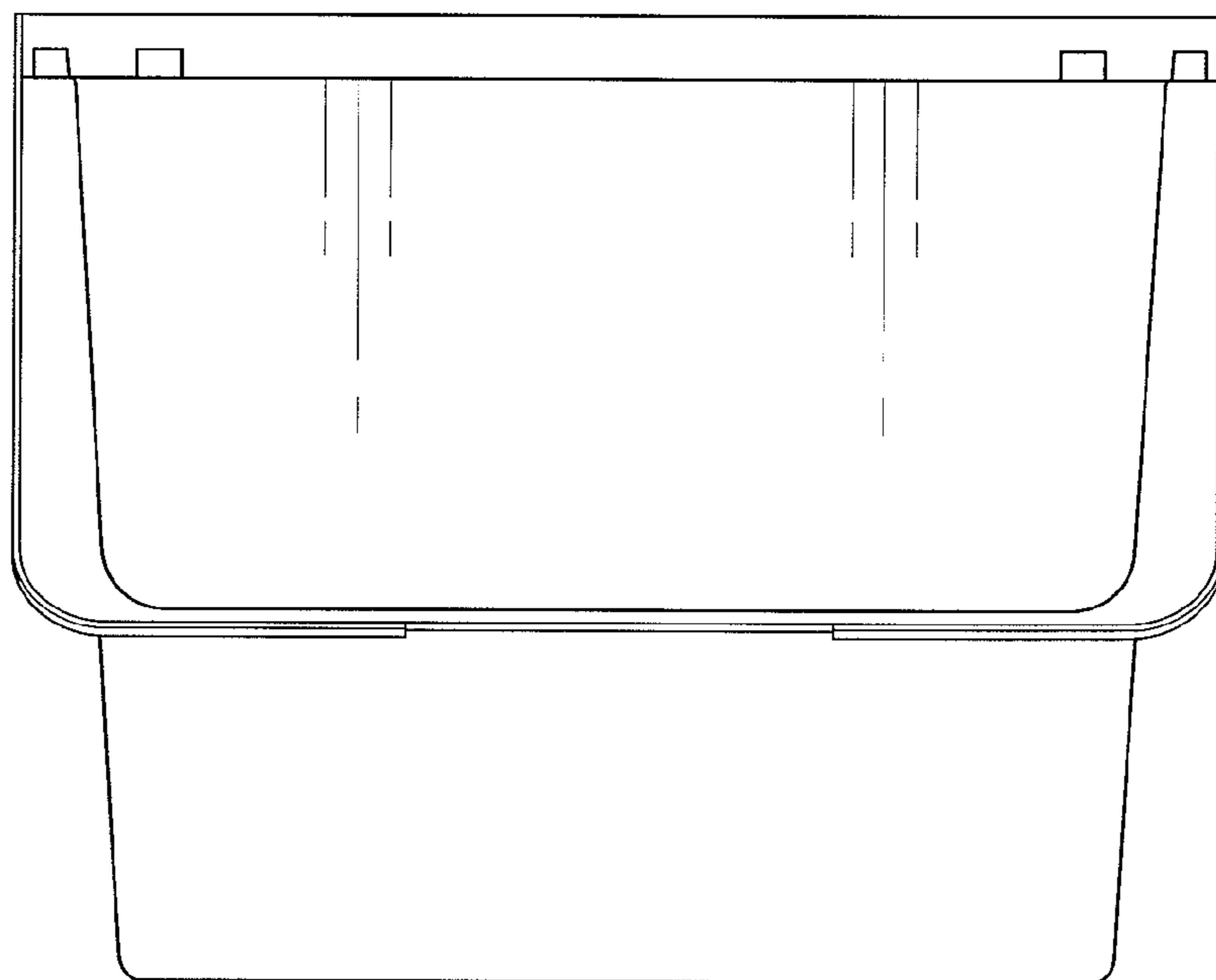


FIG. 2

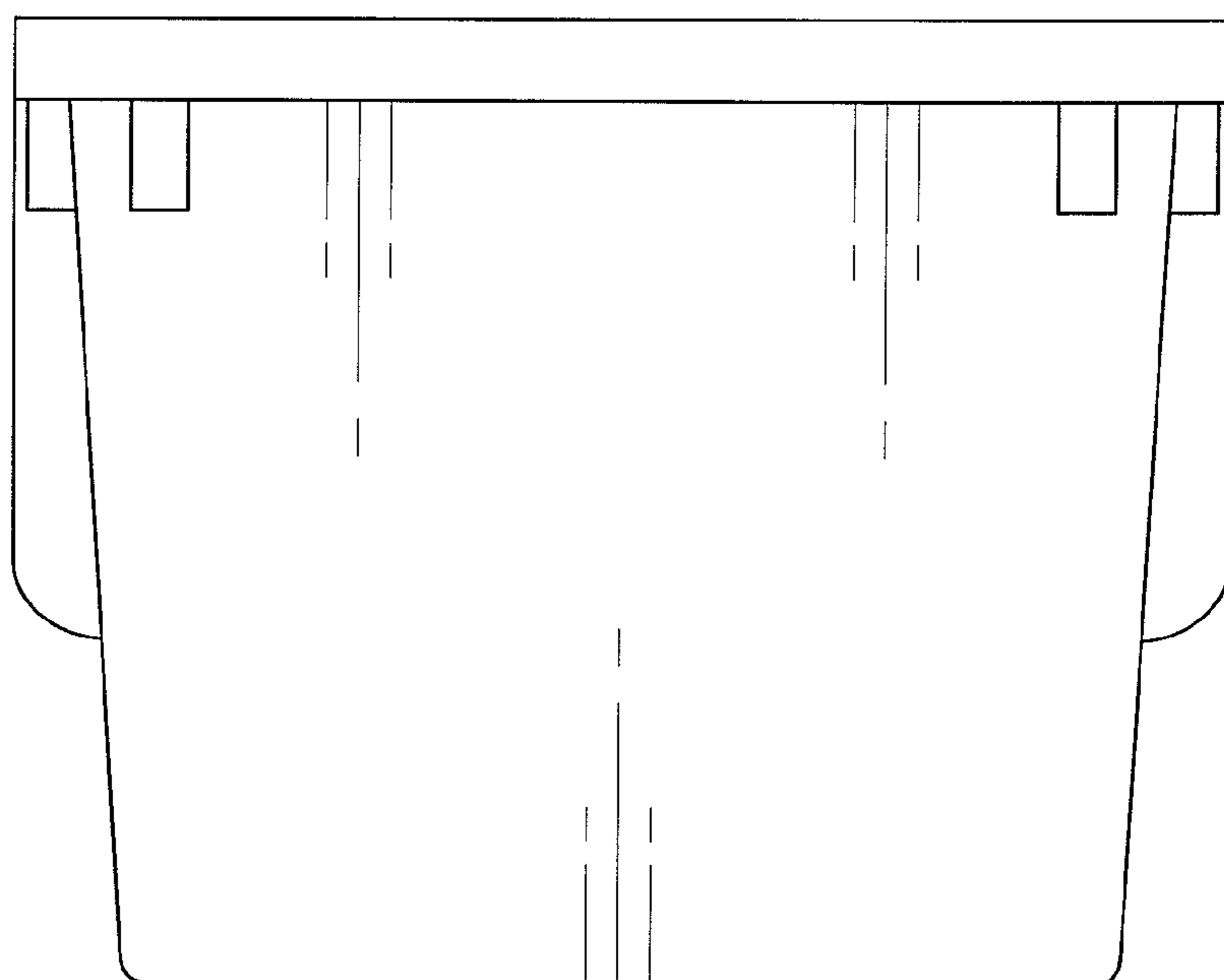


FIG. 3

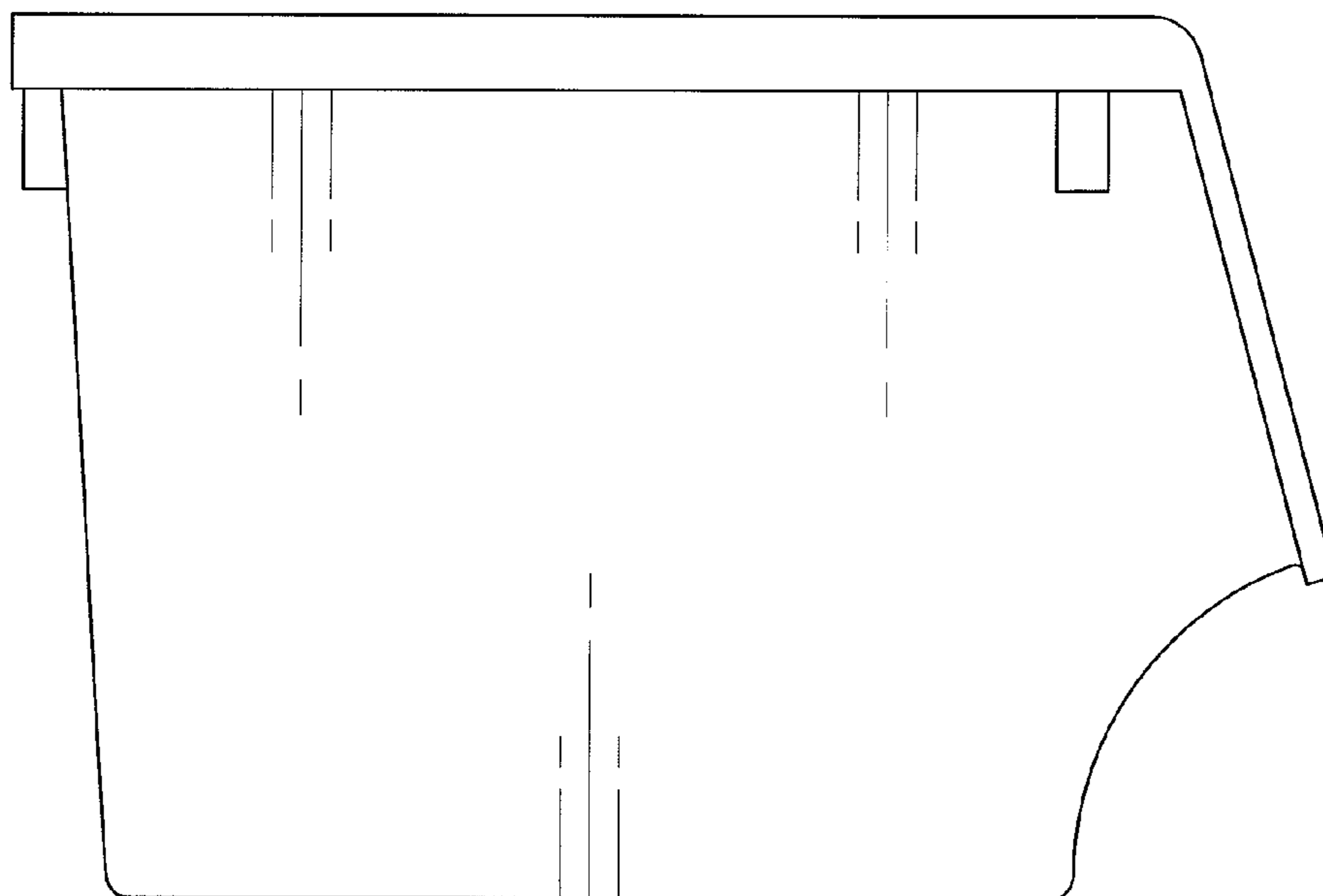


FIG. 4

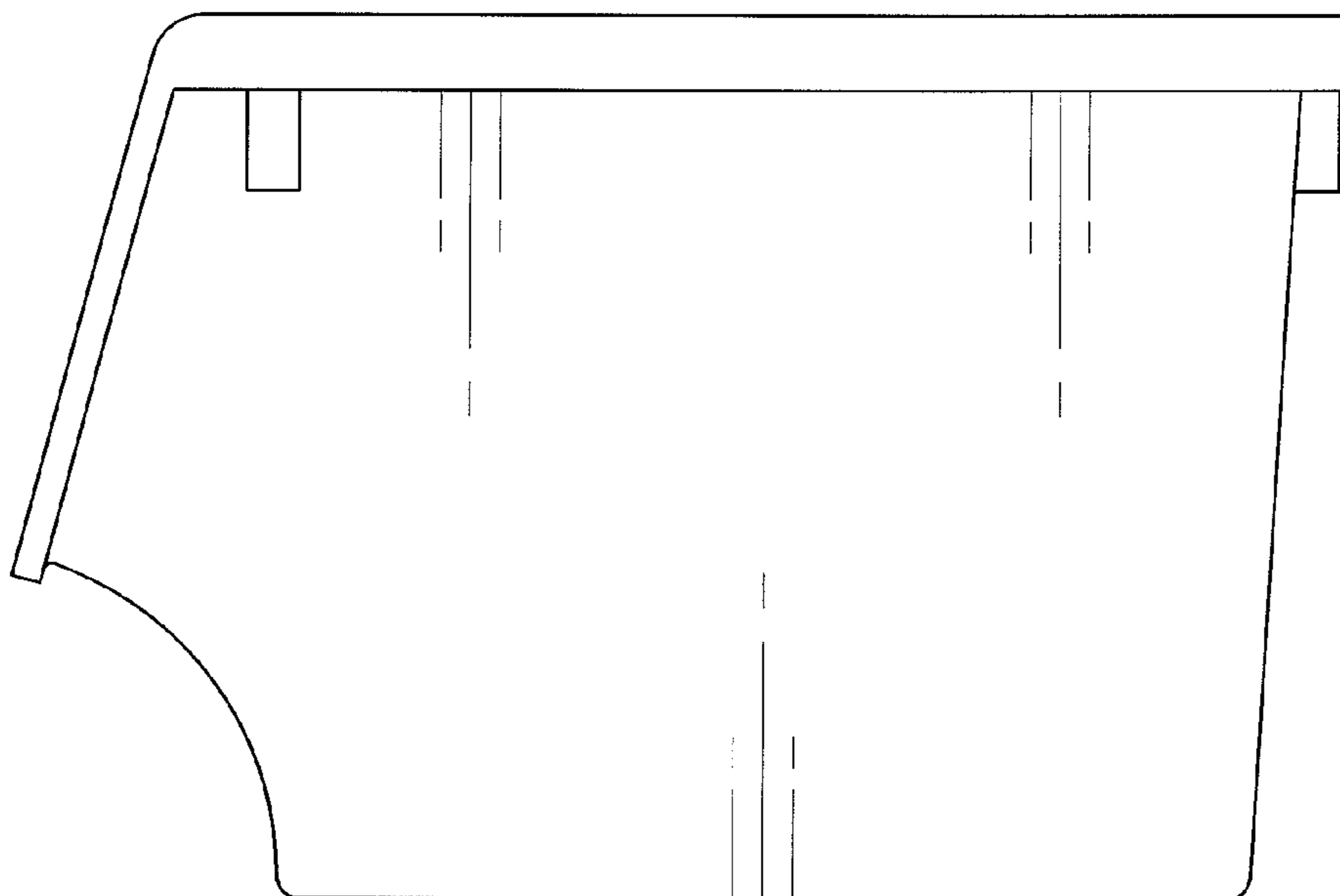


FIG. 5

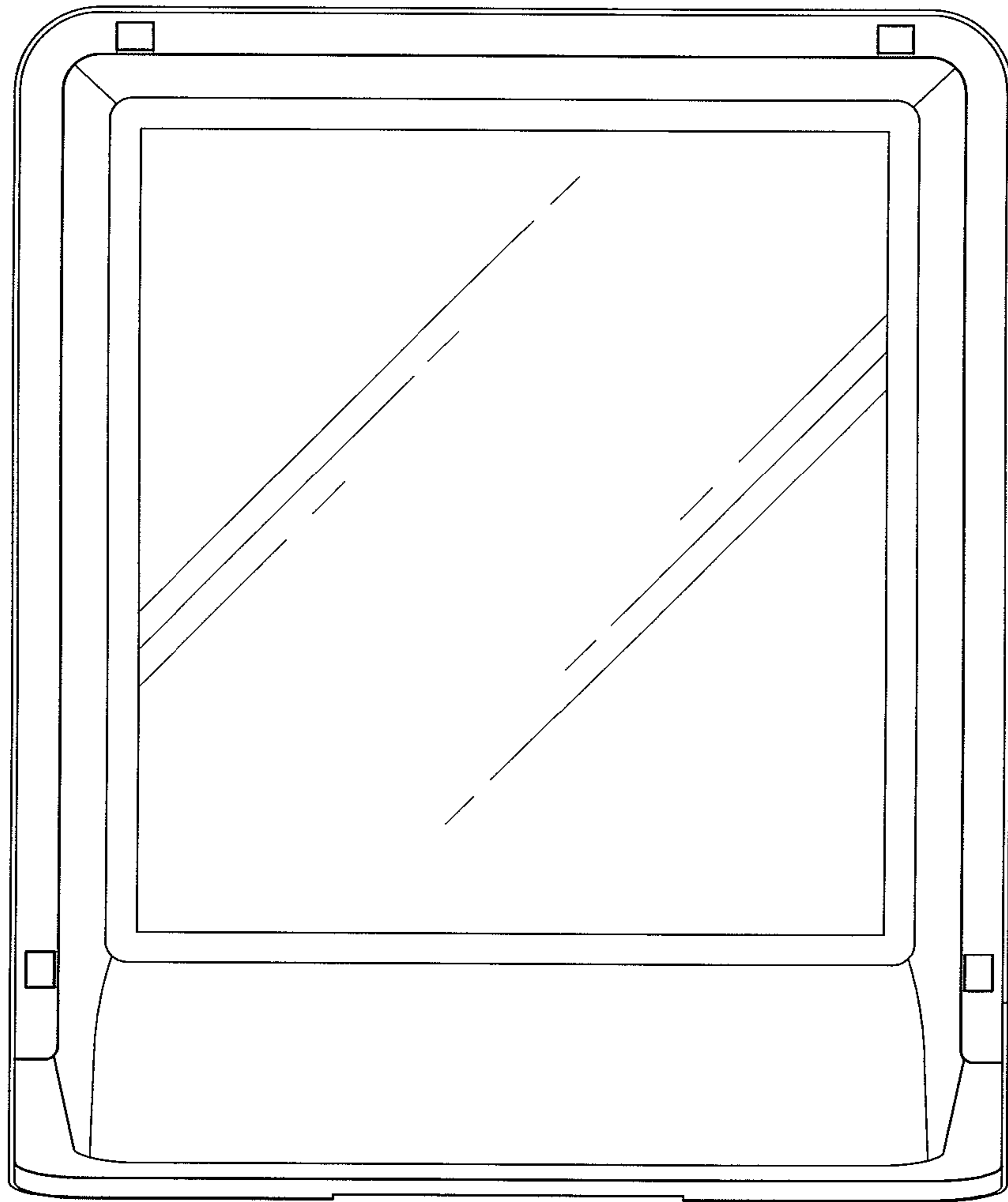


FIG. 6

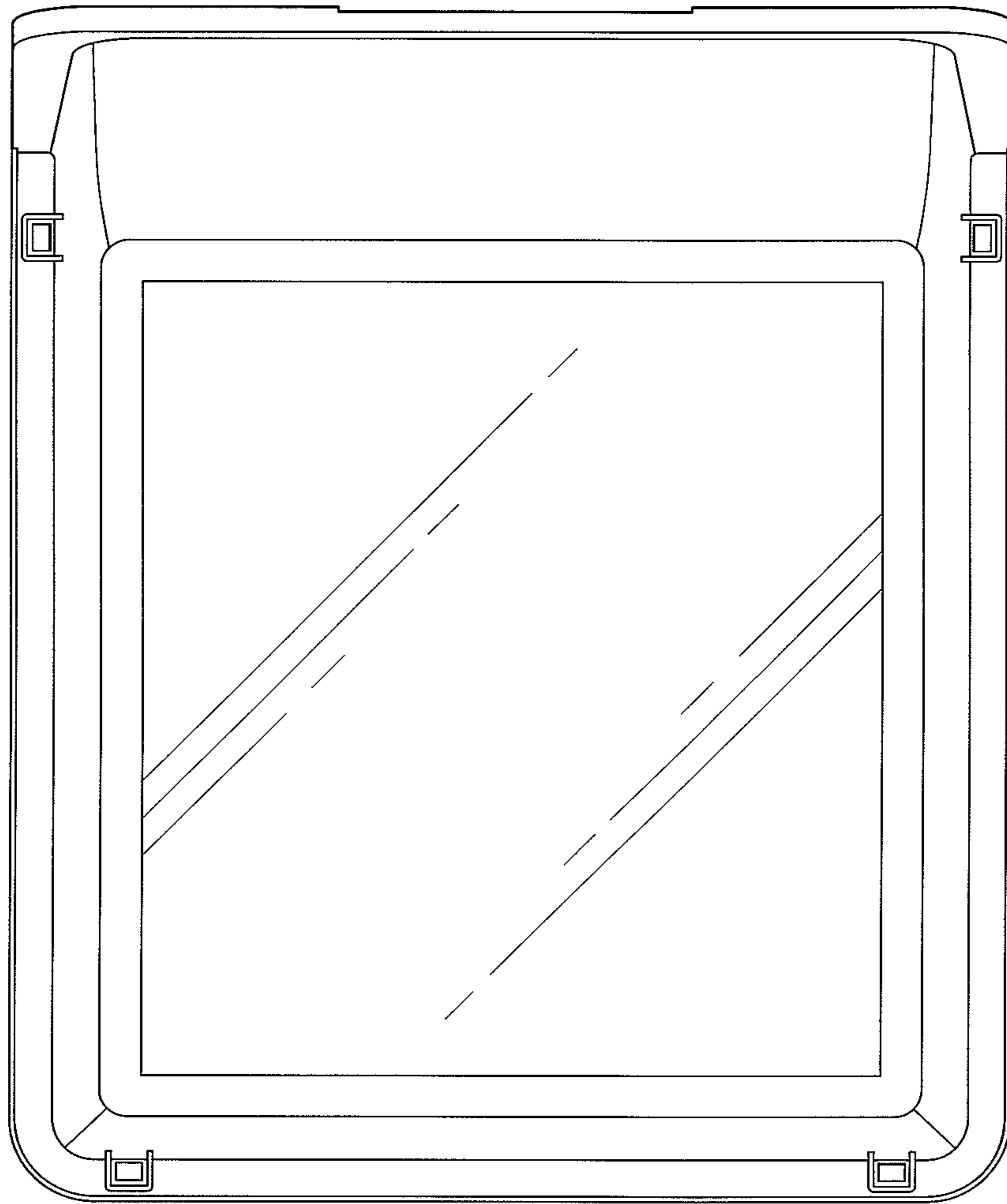


FIG. 7



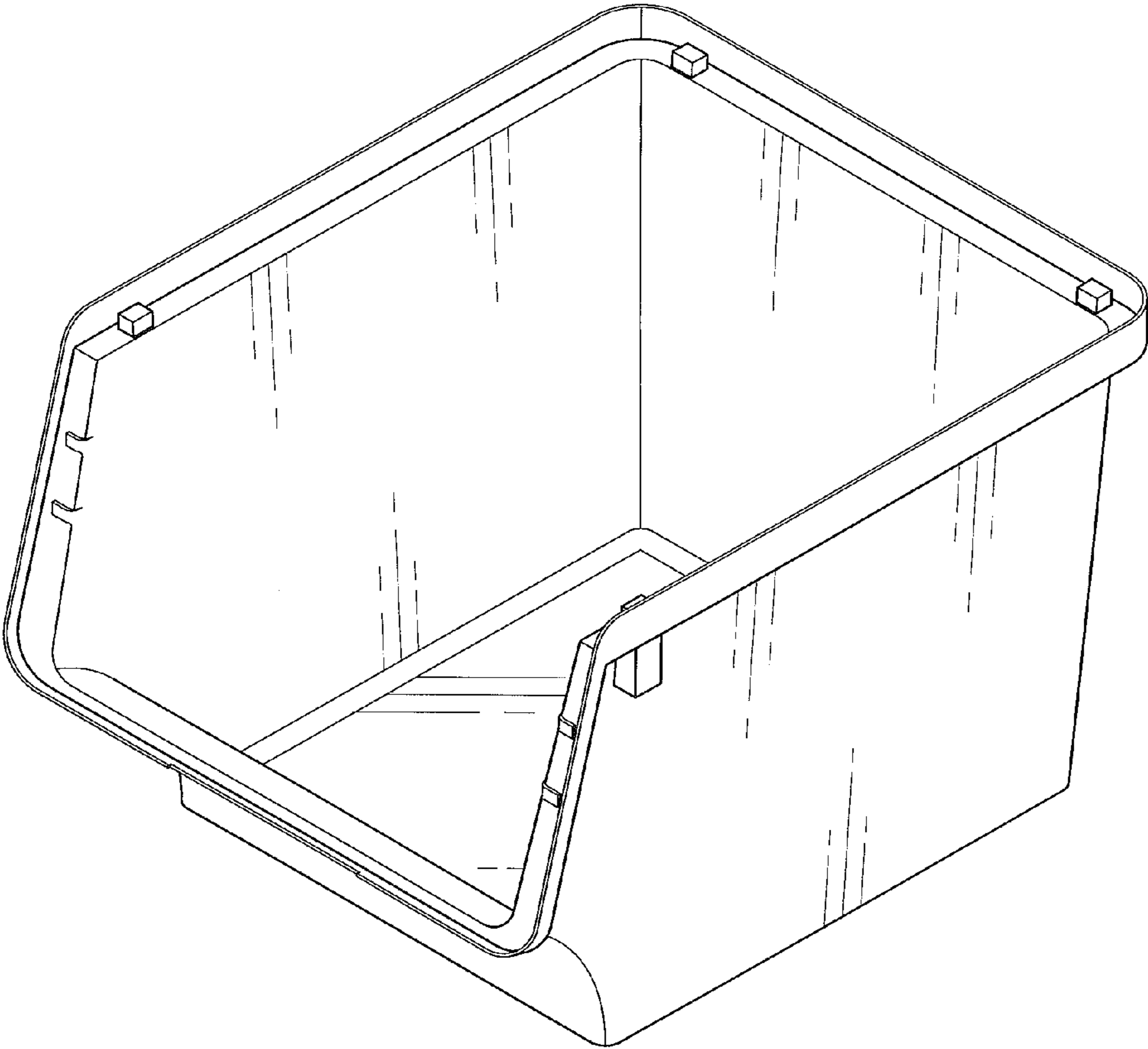


FIG. 8



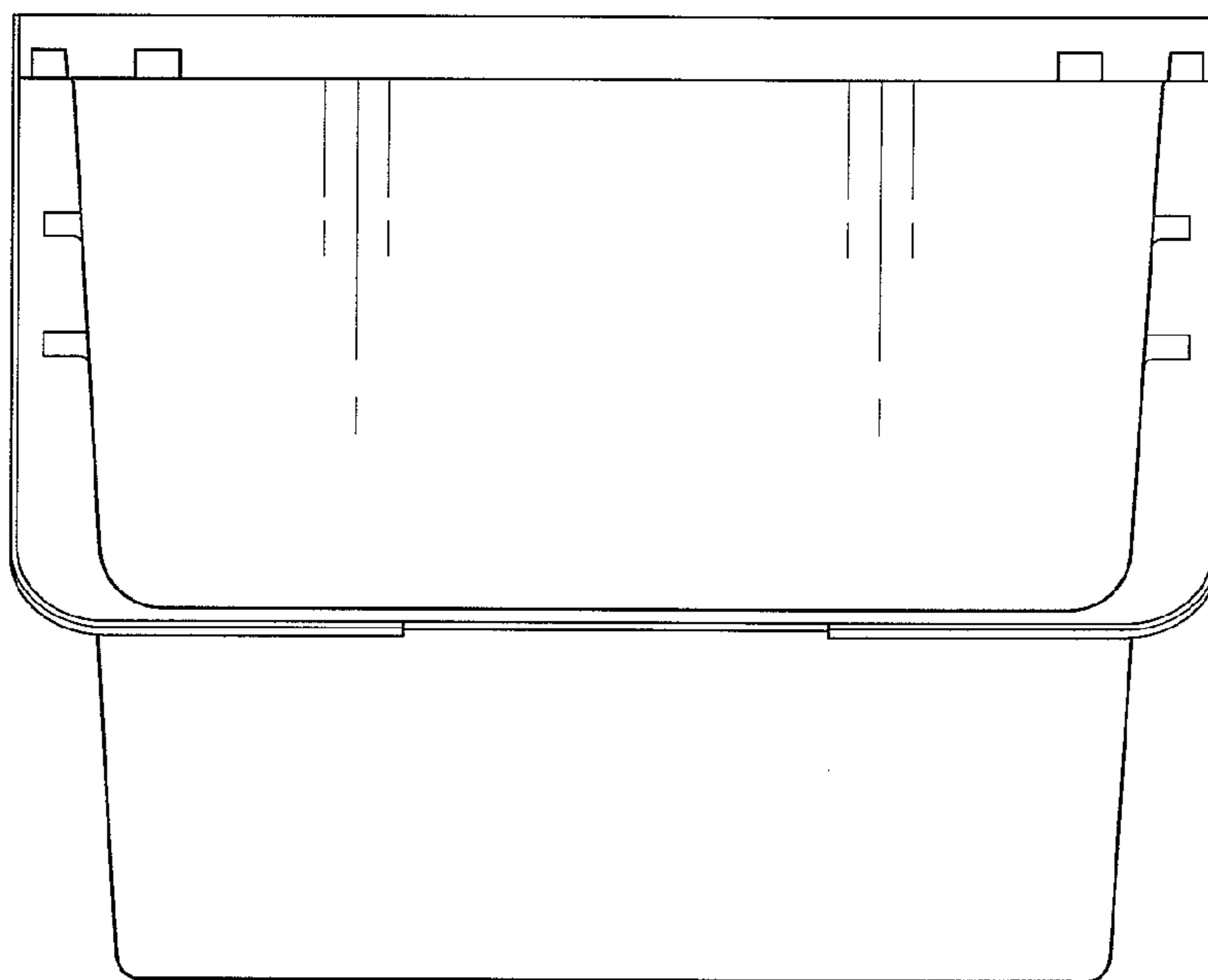


FIG. 9

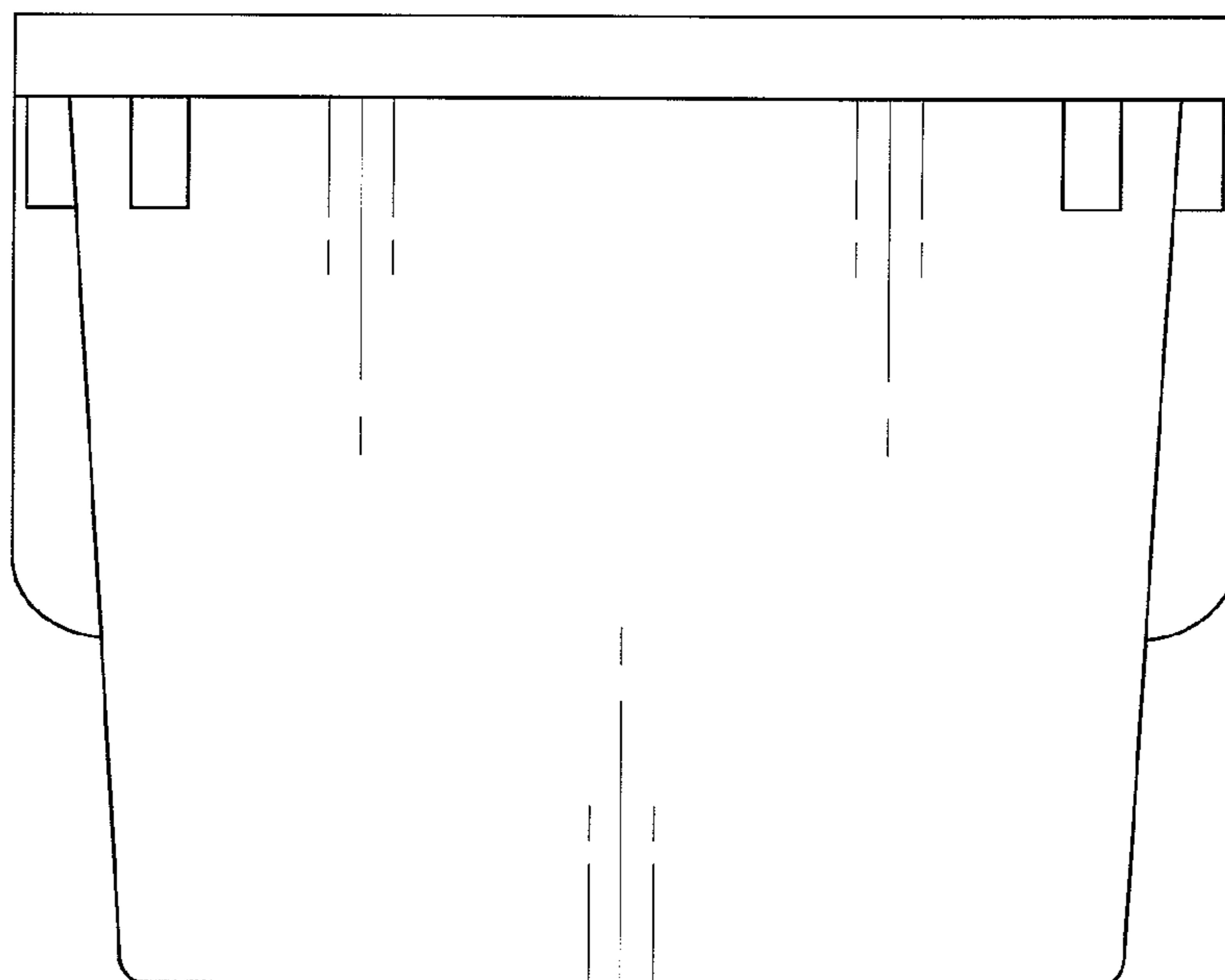


FIG. 10

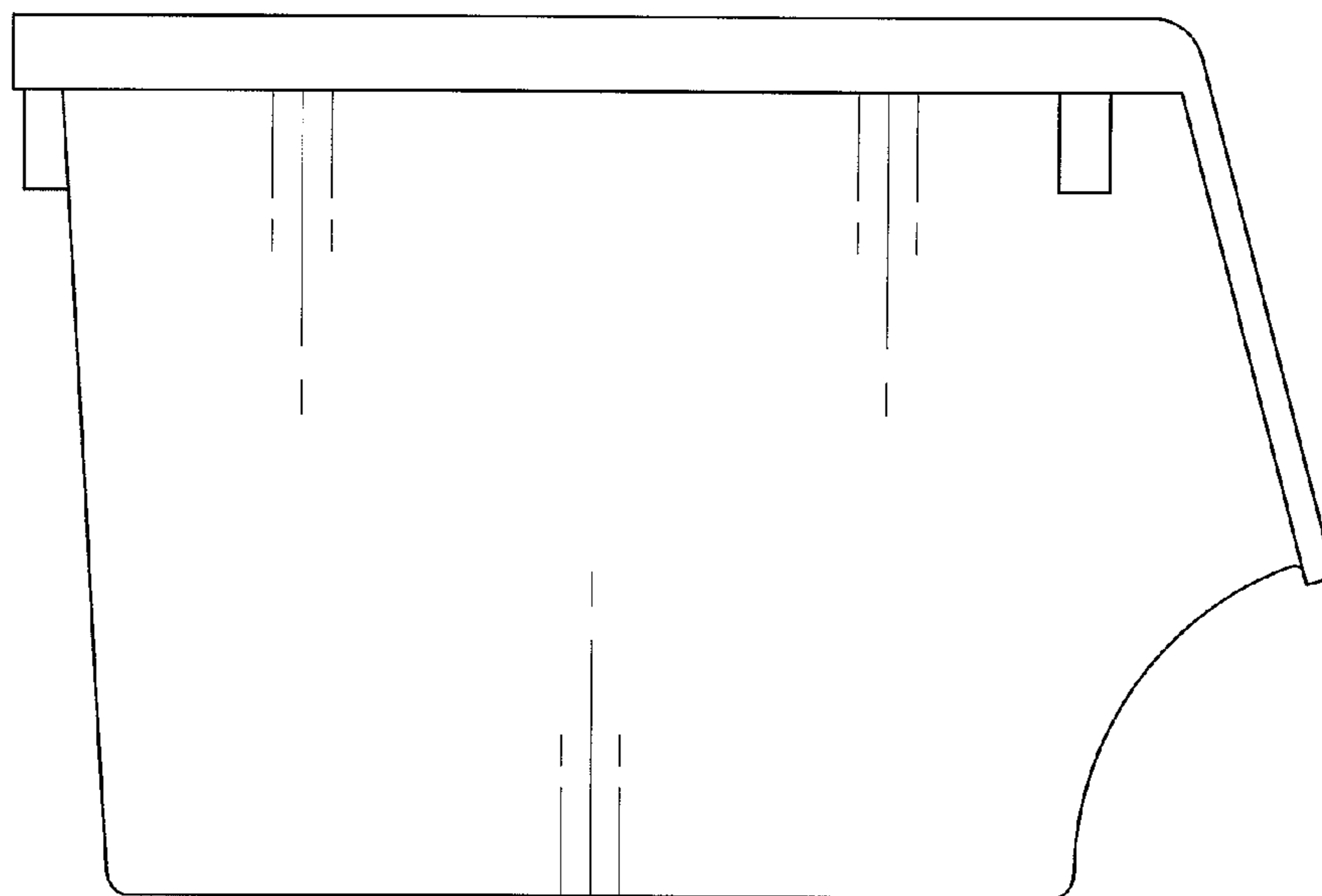


FIG. 11

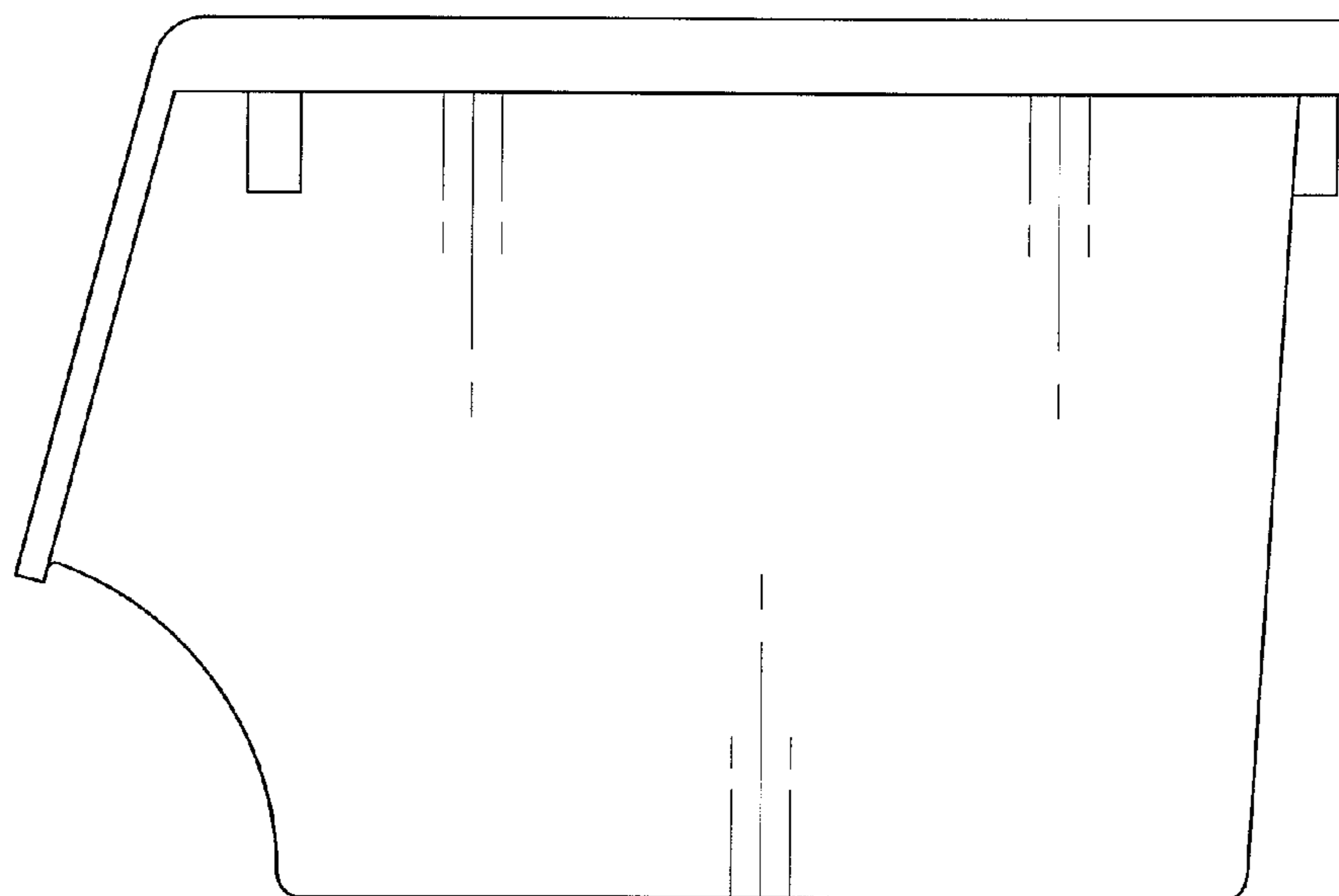


FIG. 12

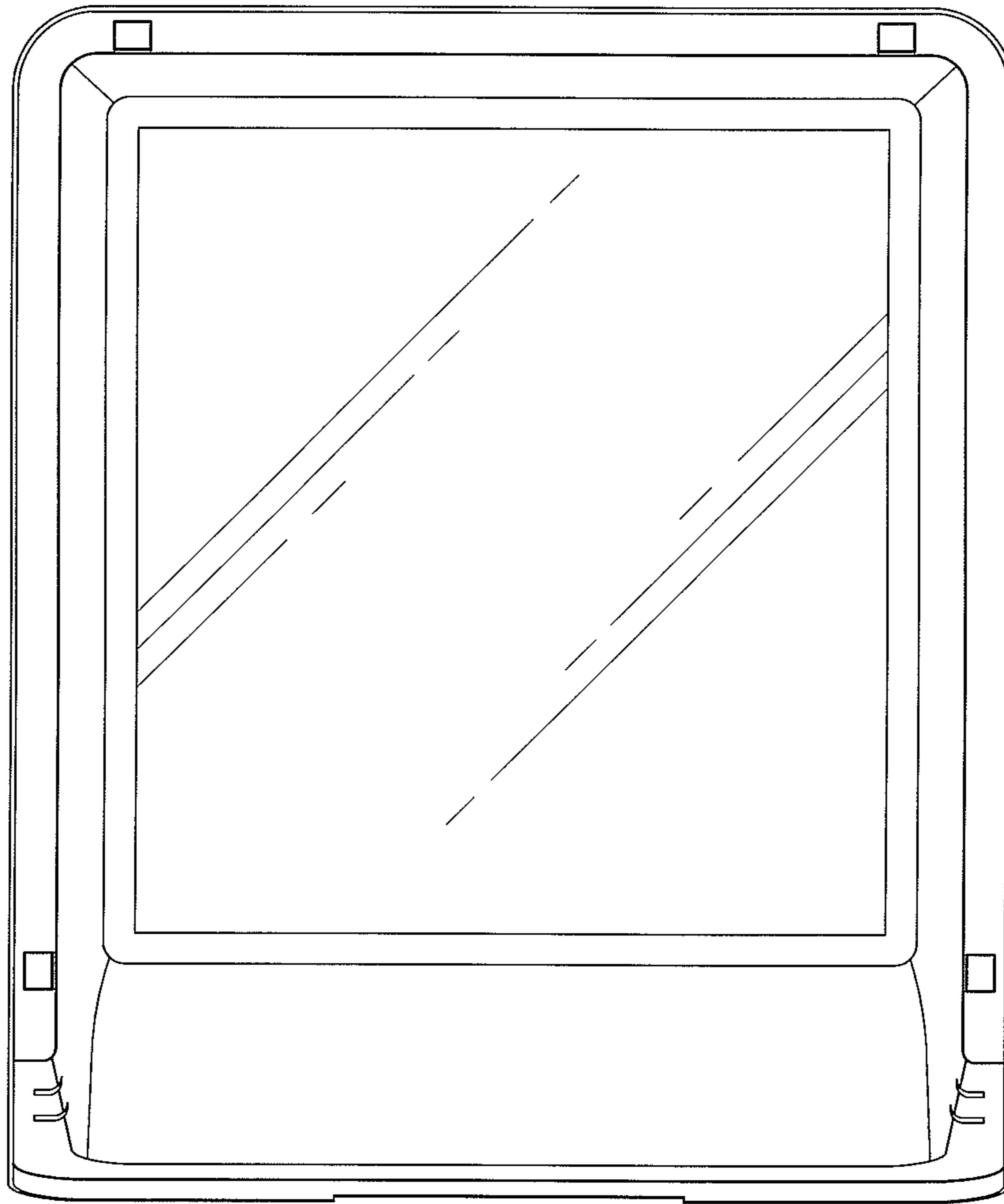


FIG. 13

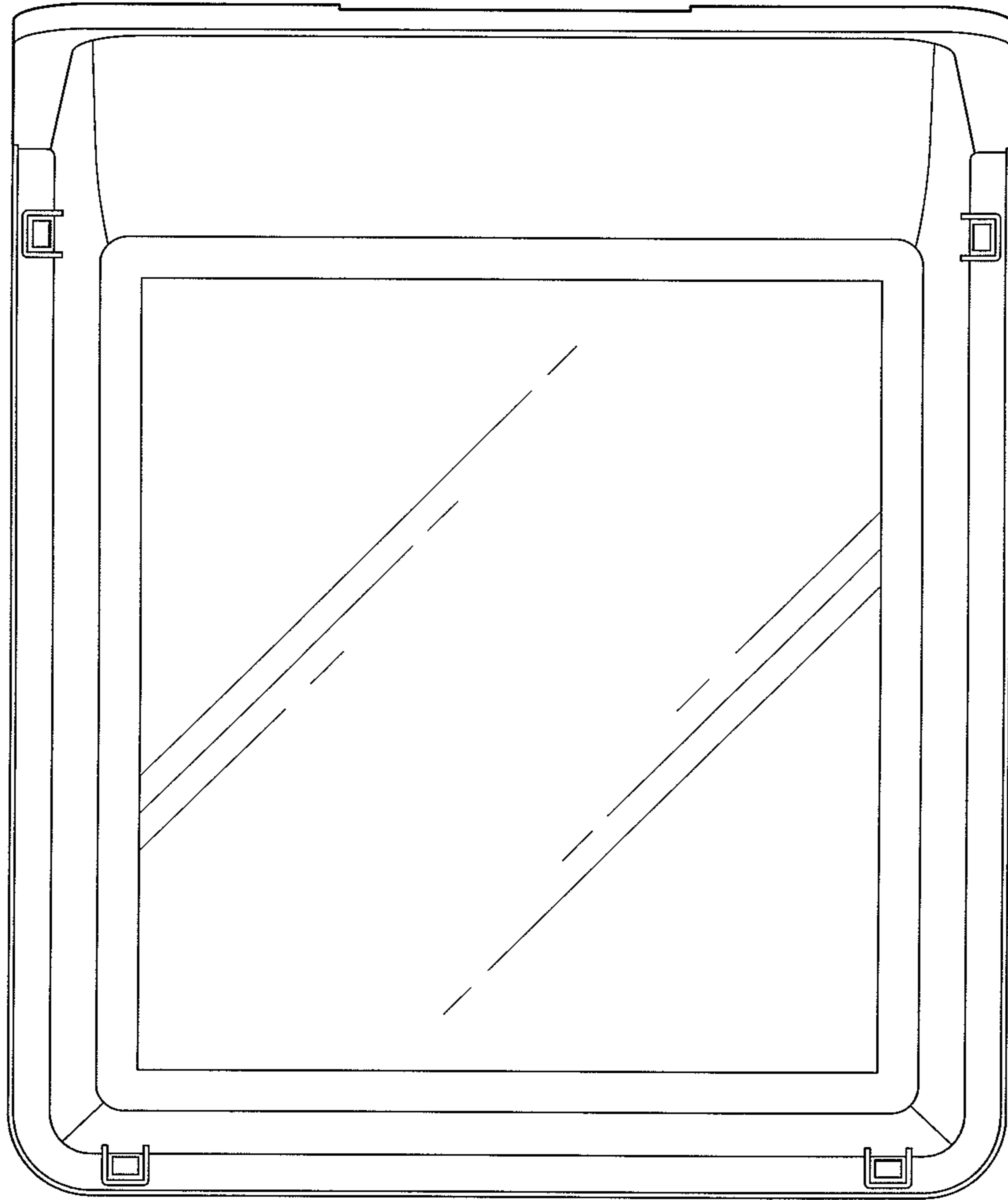


FIG. 14