



US00D762064S

(12) **United States Design Patent**
Garavaglia

(10) **Patent No.:** **US D762,064 S**
(45) **Date of Patent:** **** Jul. 26, 2016**

- (54) **CONTACT LENS CASE**
- (71) Applicant: **Maria Garavaglia**, Manchester, MO (US)
- (72) Inventor: **Maria Garavaglia**, Manchester, MO (US)
- (**) Term: **14 Years**
- (21) Appl. No.: **29/509,881**
- (22) Filed: **Nov. 21, 2014**
- (51) **LOC (10) Cl.** **03-01**
- (52) **U.S. Cl.**
USPC **D3/264**
- (58) **Field of Classification Search**
USPC D3/219, 252, 263, 264, 265; 206/5, 5.1, 206/6
CPC A45C 11/04; A45C 11/005
See application file for complete search history.

(56) **References Cited**

U.S. PATENT DOCUMENTS

2,877,779	A	3/1959	Bromberg	
D208,166	S	7/1967	Hueber et al.	
D212,649	S	11/1968	Kolbeck	
3,460,552	A	8/1969	Sturgeon	
3,536,082	A	10/1970	Kolbeck	
3,955,726	A	5/1976	Reitzel	
4,328,890	A	5/1982	Thomas et al.	
4,545,479	A	10/1985	Figari	
4,574,944	A	3/1986	Gregory	
4,784,258	A	11/1988	Figari	
4,823,944	A	4/1989	Ryder	
5,375,699	A	12/1994	Amend	
D511,039	S *	11/2005	Gerard	D3/263
7,042,805	B1	5/2006	Kallman	
D540,035	S	4/2007	Gerard	
7,331,449	B2 *	2/2008	Pinchassi Dar	A45C 11/005 134/901
7,398,877	B1 *	7/2008	Nelson	A45C 11/005 134/901
D660,590	S *	5/2012	Seidel	D3/264
D718,528	S *	12/2014	Garavaglia	D3/264
D728,236	S *	5/2015	Virassamy	D3/264

2003/0209452	A1 *	11/2003	Mitomo	A45C 11/005 206/5.1
2005/0133382	A1	6/2005	Gerard et al.	
2005/0258053	A1	11/2005	Sieg	
2007/0206377	A1	9/2007	Borup	
2013/0105335	A1 *	5/2013	Chavez, Jr.	A45C 11/005 206/5.1

* cited by examiner

Primary Examiner — T. Chase Nelson

(74) *Attorney, Agent, or Firm* — CreatiVenture Law; Linda L. Lewis

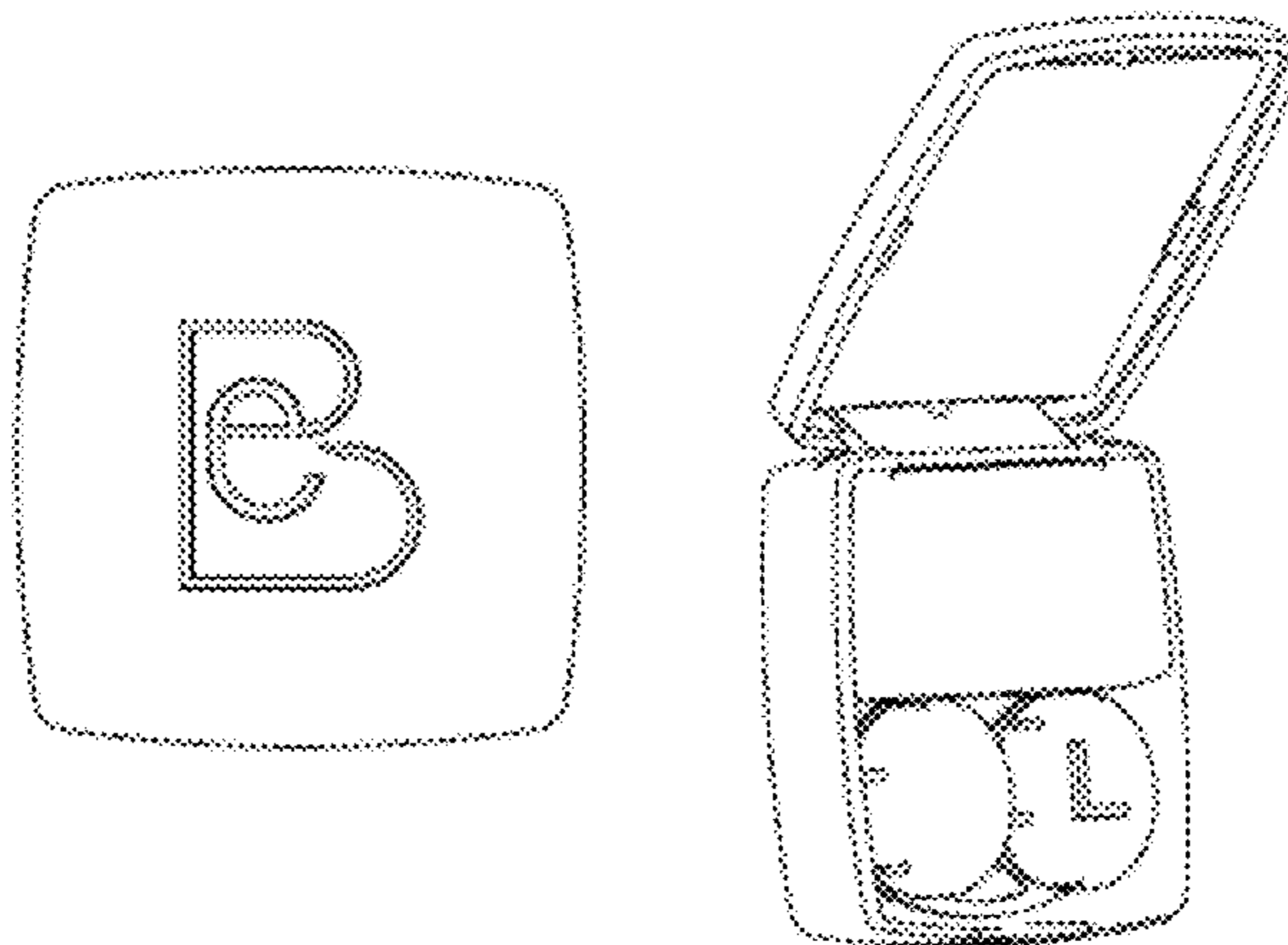
(57) **CLAIM**

The ornamental design for a contact lens case, as shown and described.

DESCRIPTION

FIG. 1 is a bottom plan view of a closed contact lens case showing my new design; and
 FIG. 2 is a top plan view thereof;
 FIG. 3 is a left side perspective top view of the contact lens case in the opened position;
 FIG. 4 is a front perspective top view thereof;
 FIG. 5 is a right side perspective bottom view thereof; and
 FIG. 6 is a left side perspective top view thereof with the contact lens case removed;
 FIG. 7 is a front elevation of the contact lens case in the closed position;
 FIG. 8 is a left side view thereof;
 FIG. 9 is a rear elevation thereof;
 FIG. 10 is a right side perspective bottom view thereof;
 FIG. 11 is a right side perspective top view thereof; and
 FIG. 12 is a left side perspective bottom view thereof with the battery cover removed; and,
 FIG. 13 is front perspective top view of the contact lens case in the open position thereof with the battery cover, the contact lens case and the mirror removed.
 The claimed ornamental design for a contact lens case has the intended use of storage of contact lens and retrieval for the insertion of contact lens onto the eye.

1 Claim, 5 Drawing Sheets



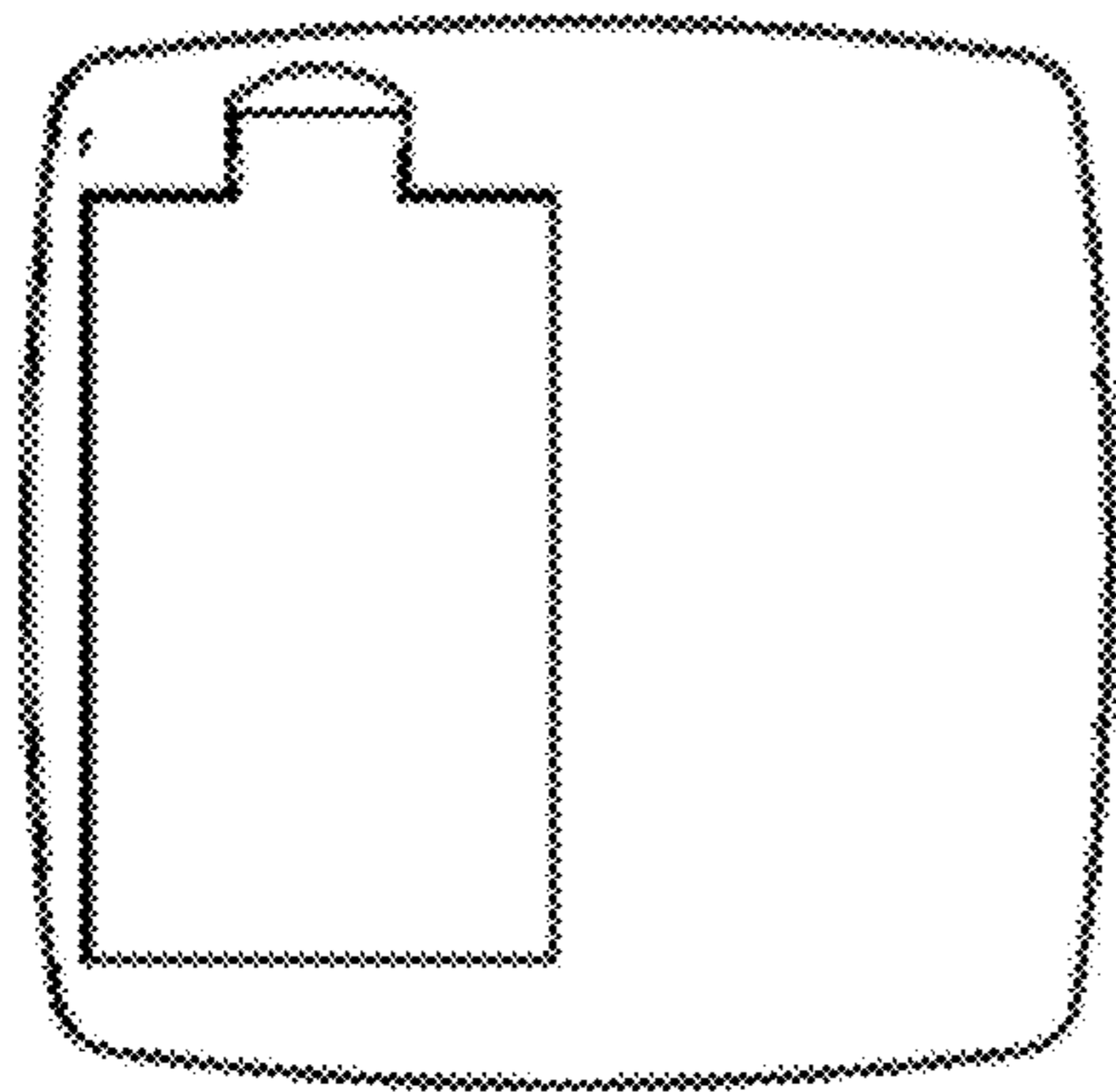


Fig. 1

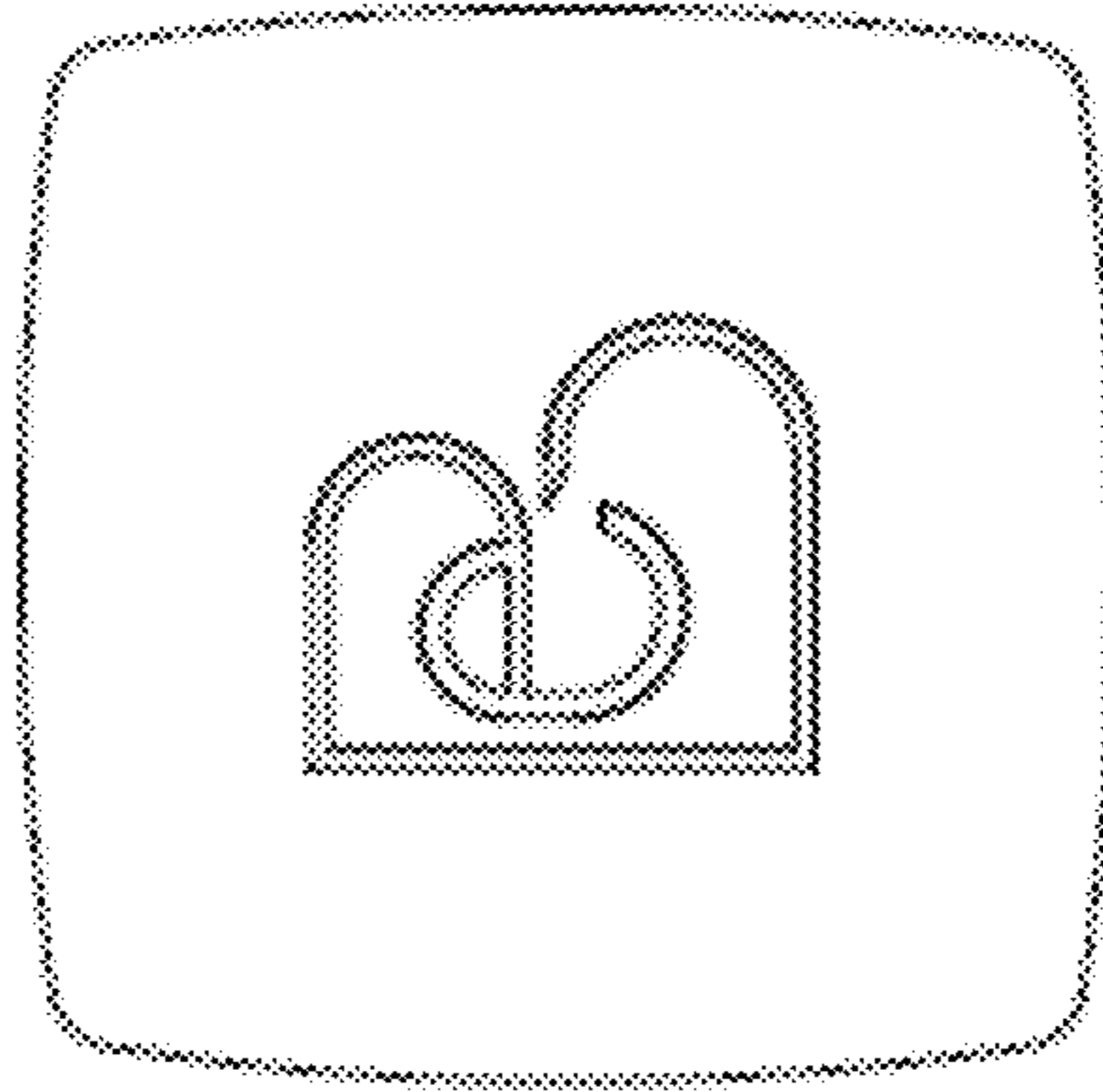


Fig. 2

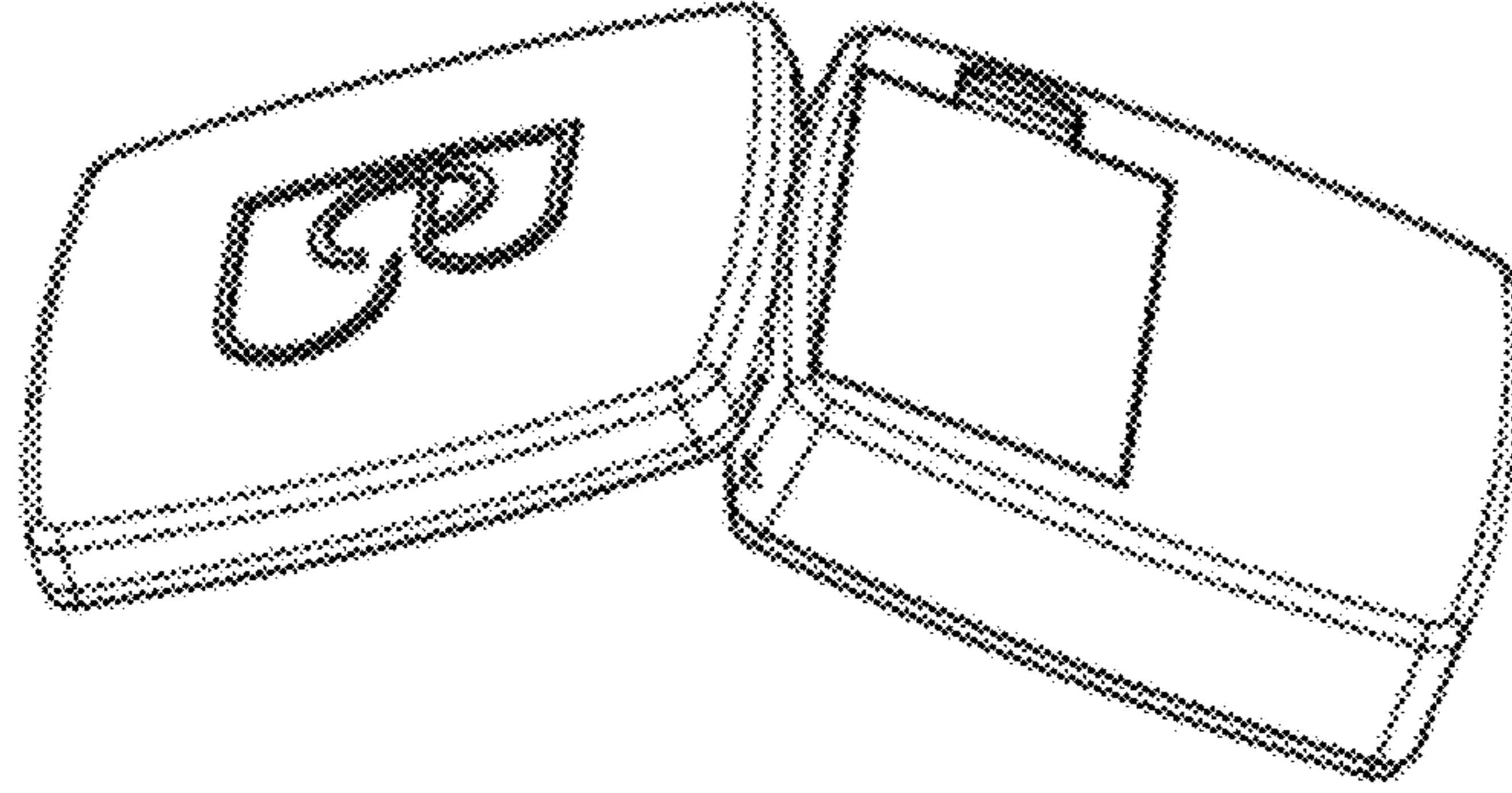


Fig. 5

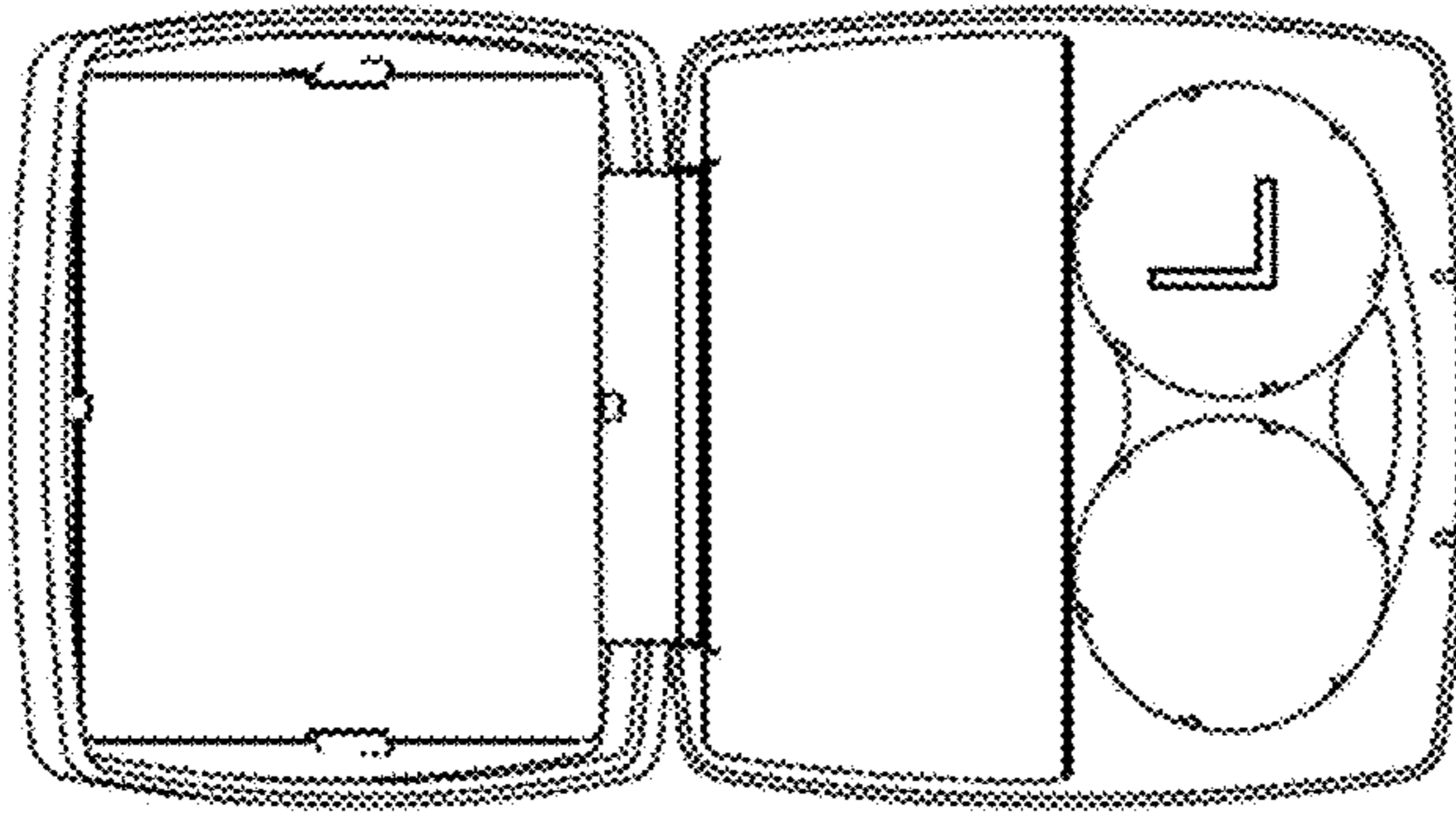


Fig. 4

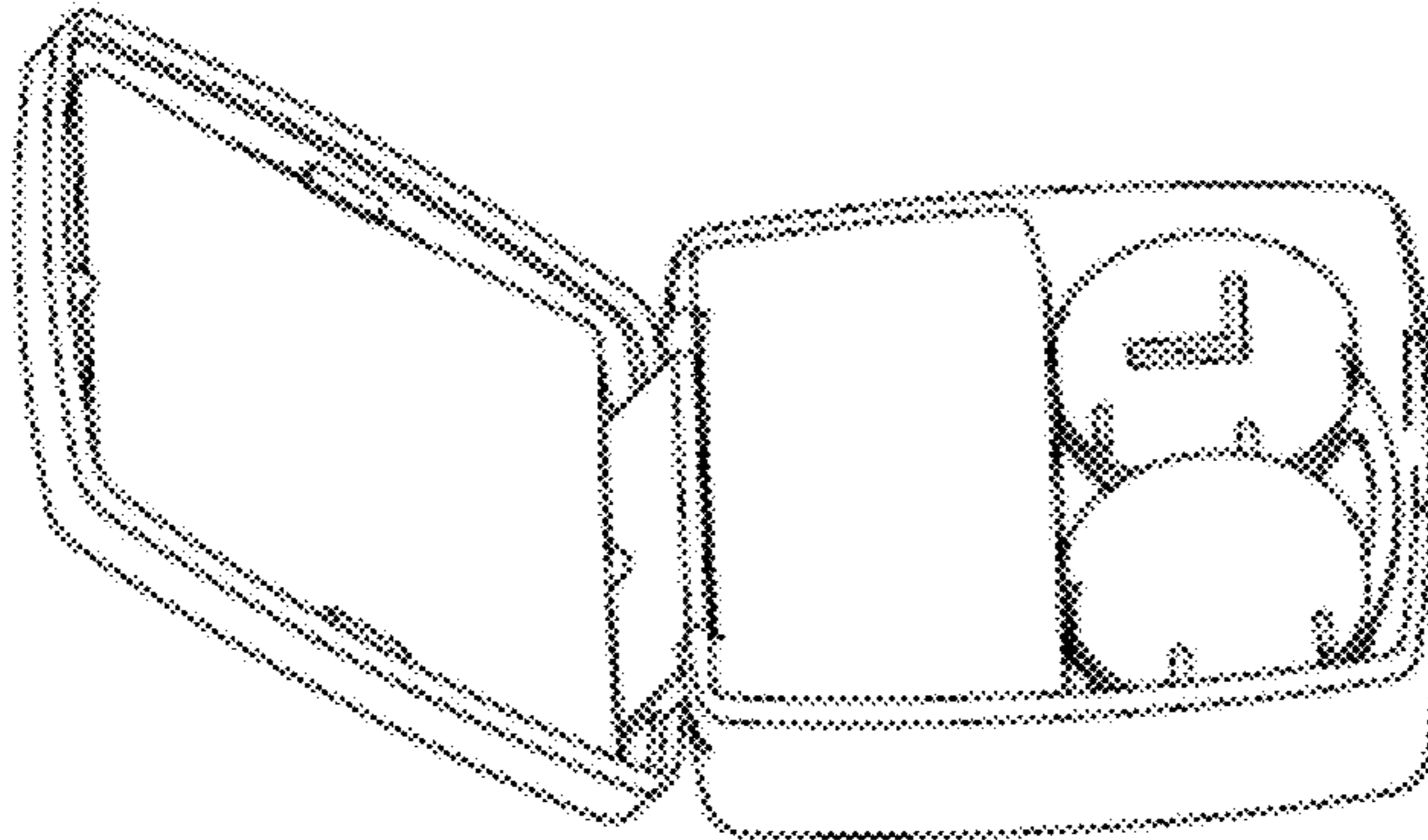


Fig. 3

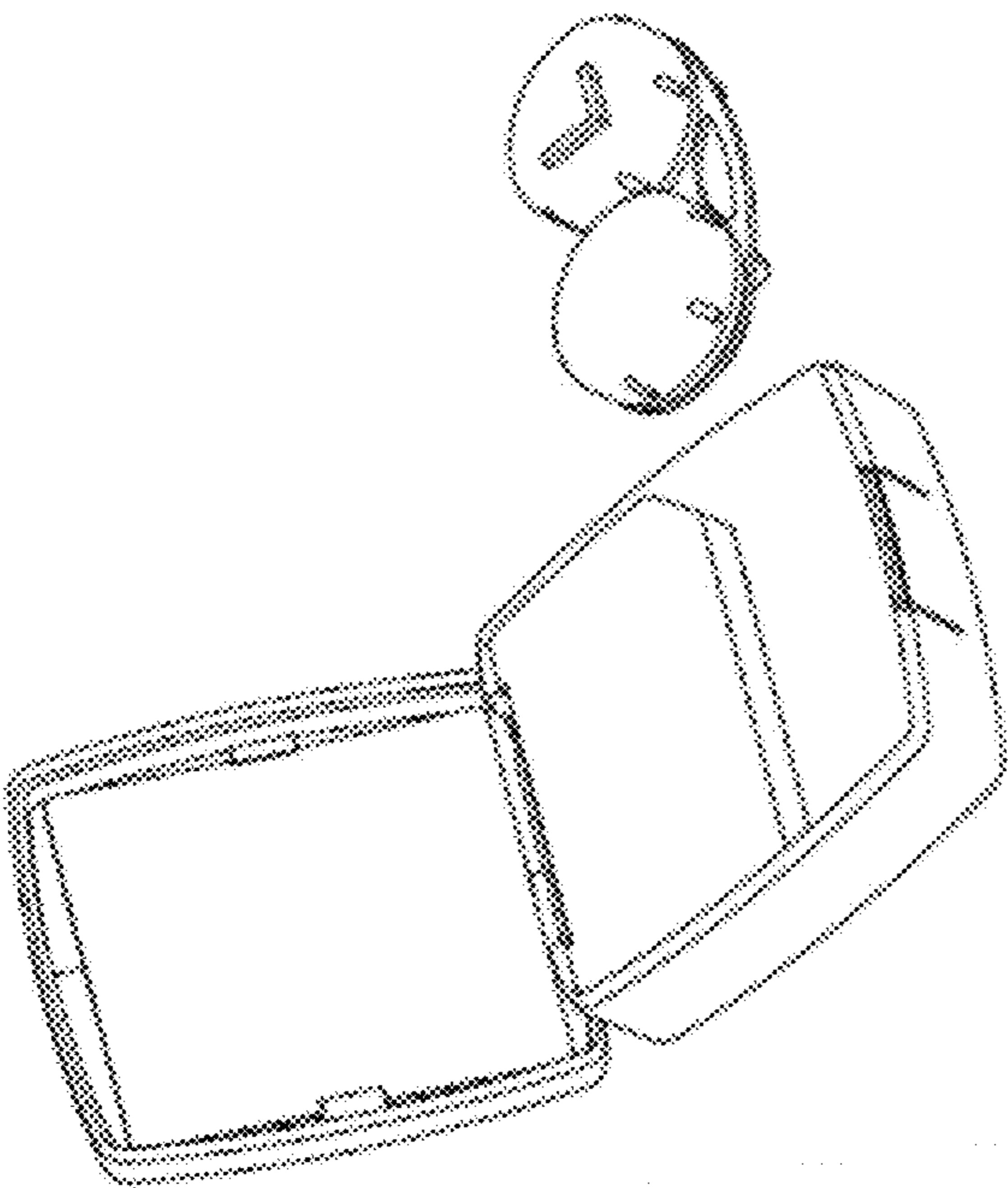


Fig. 6

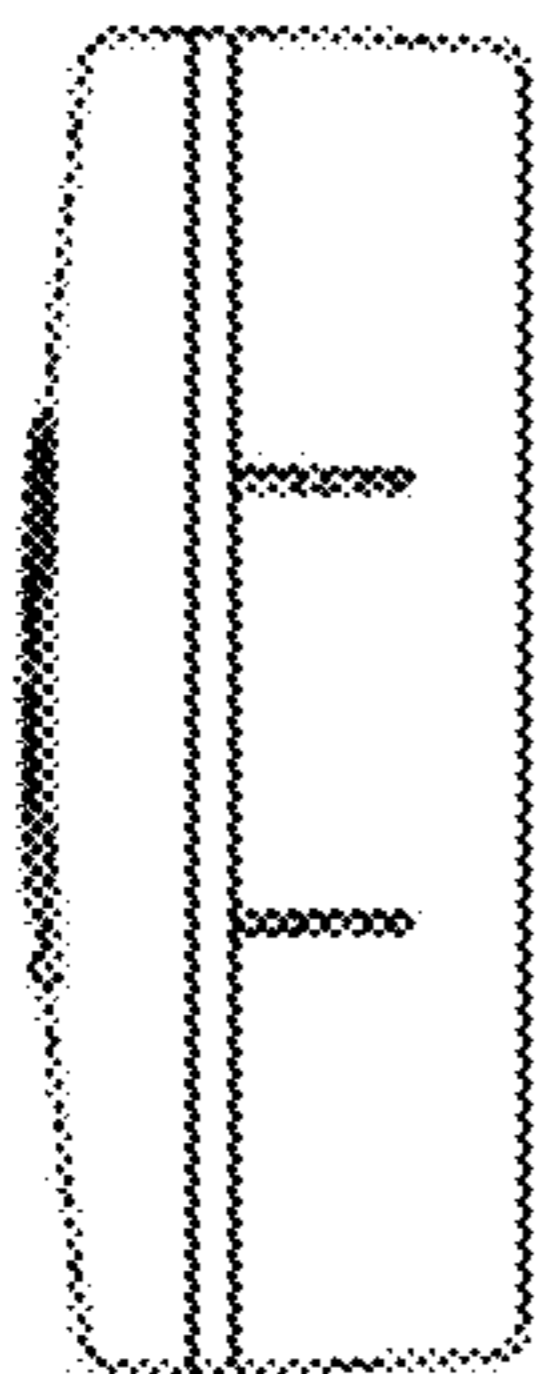


Fig. 7

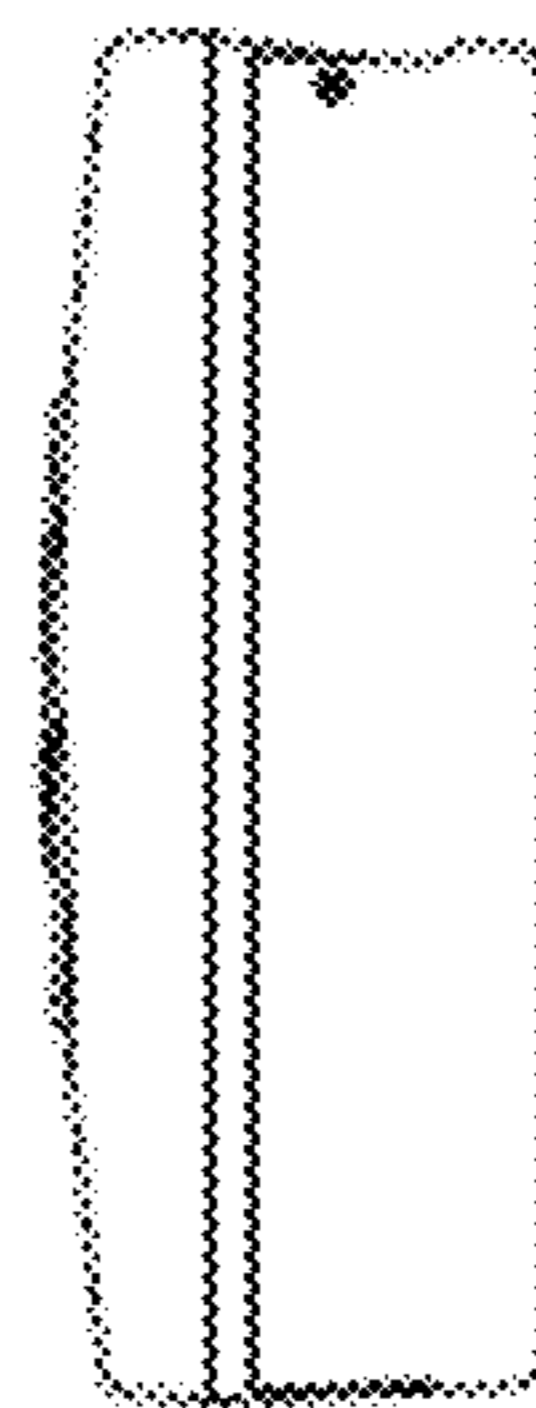


Fig. 8

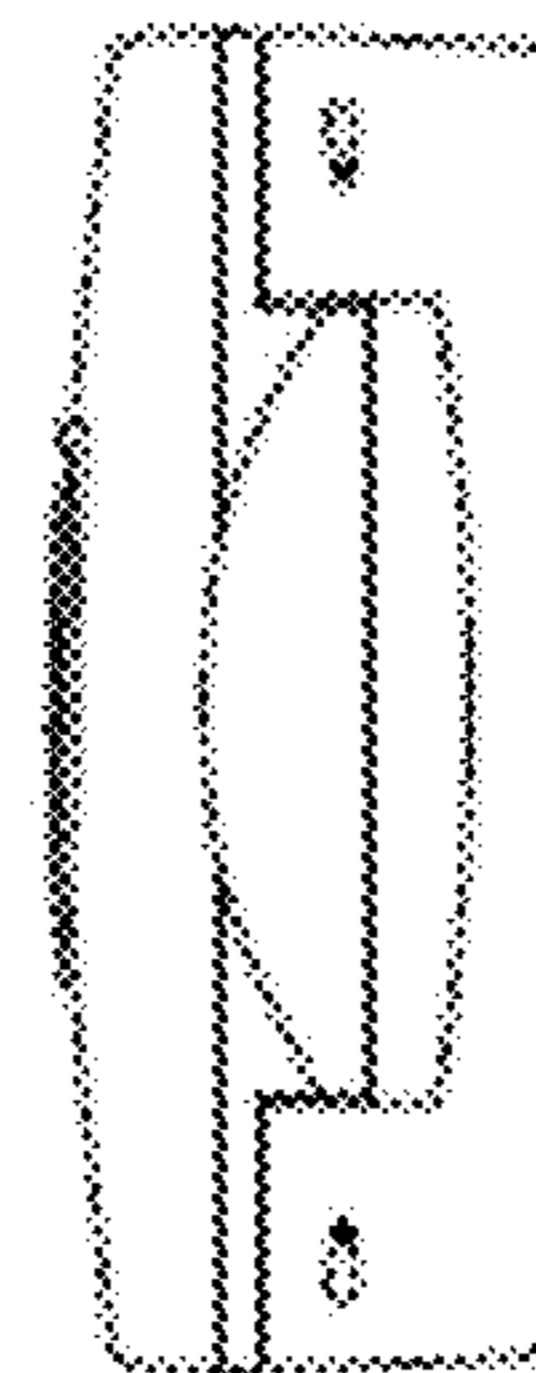


Fig. 9

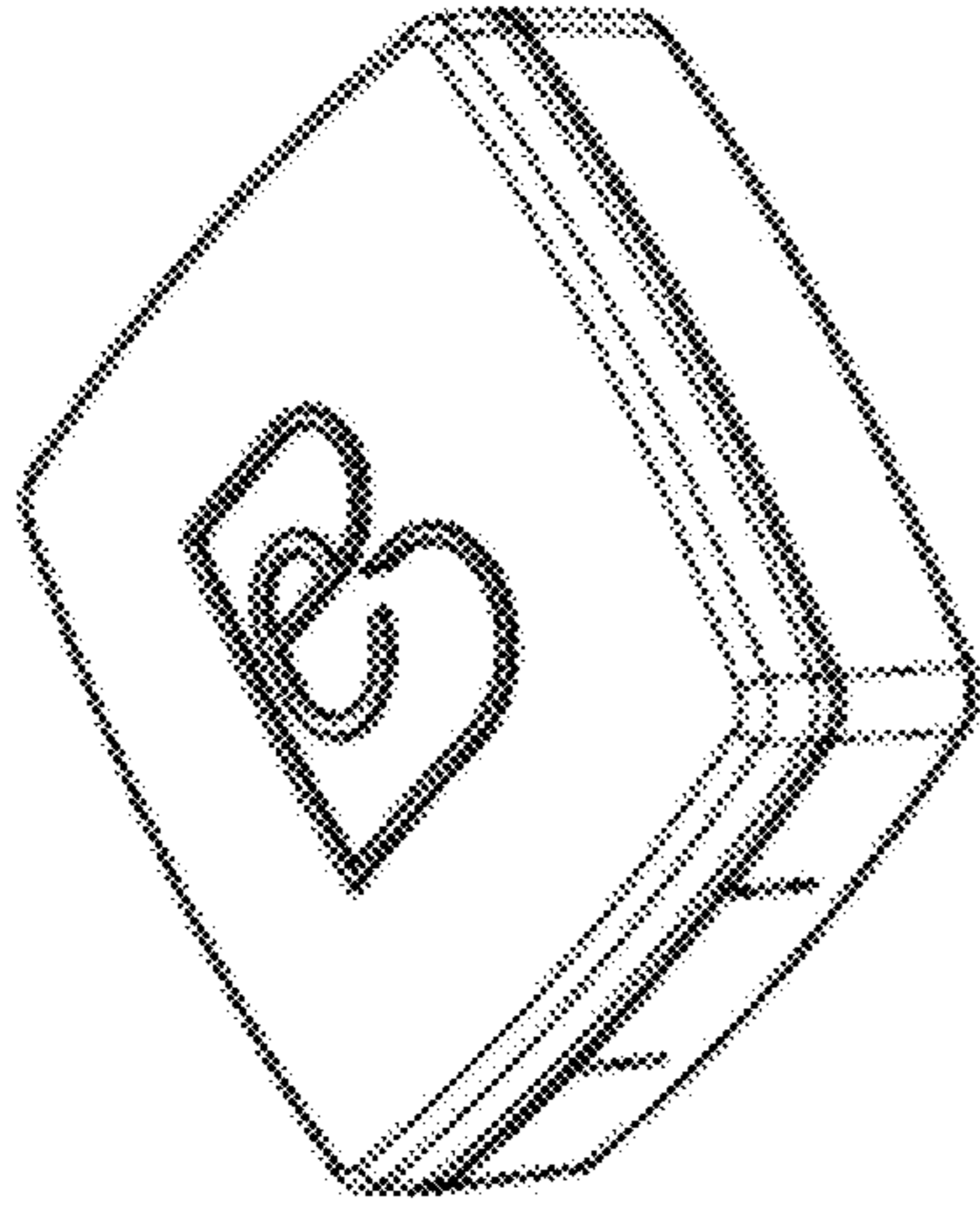


Fig. 11

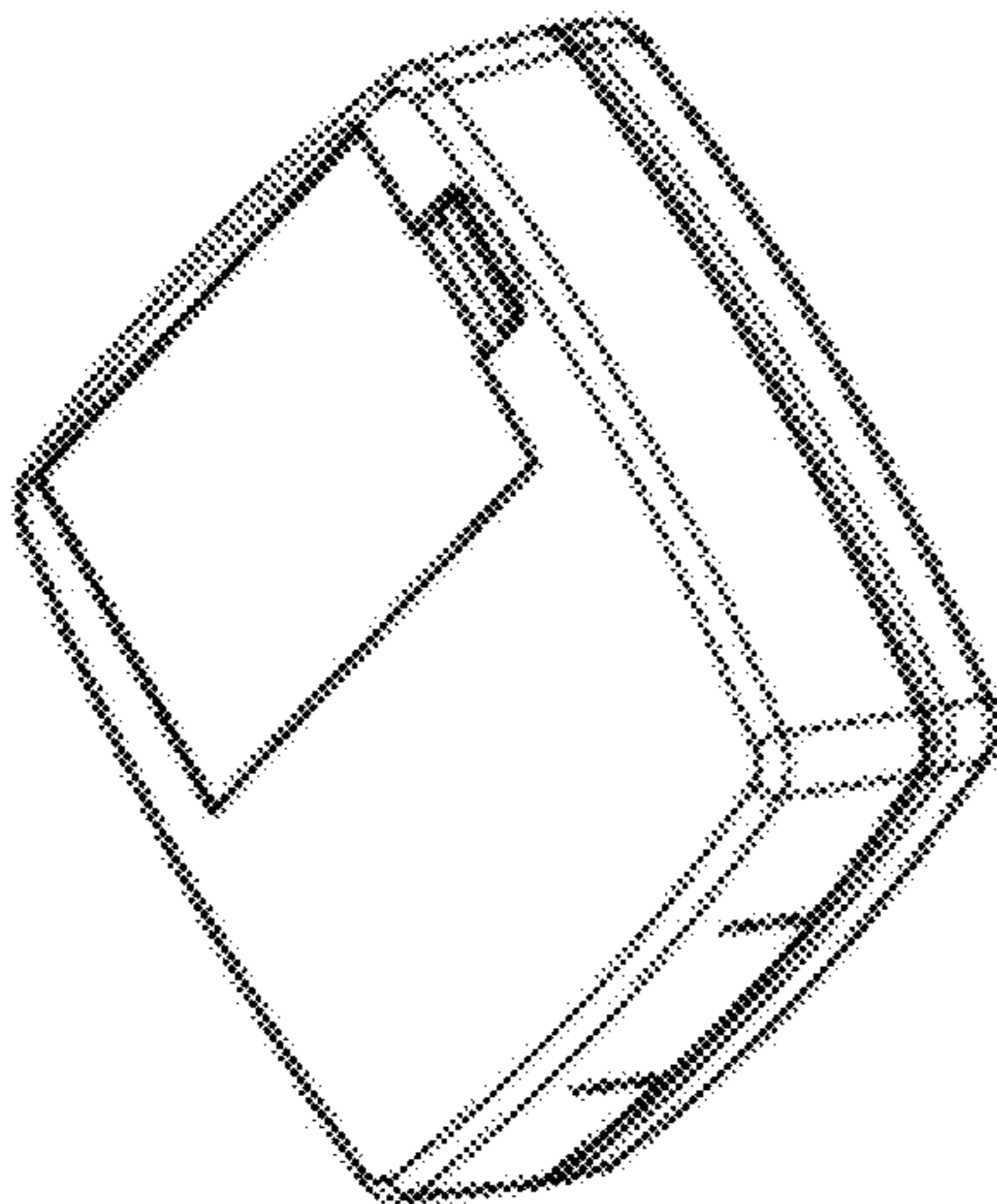


Fig. 10

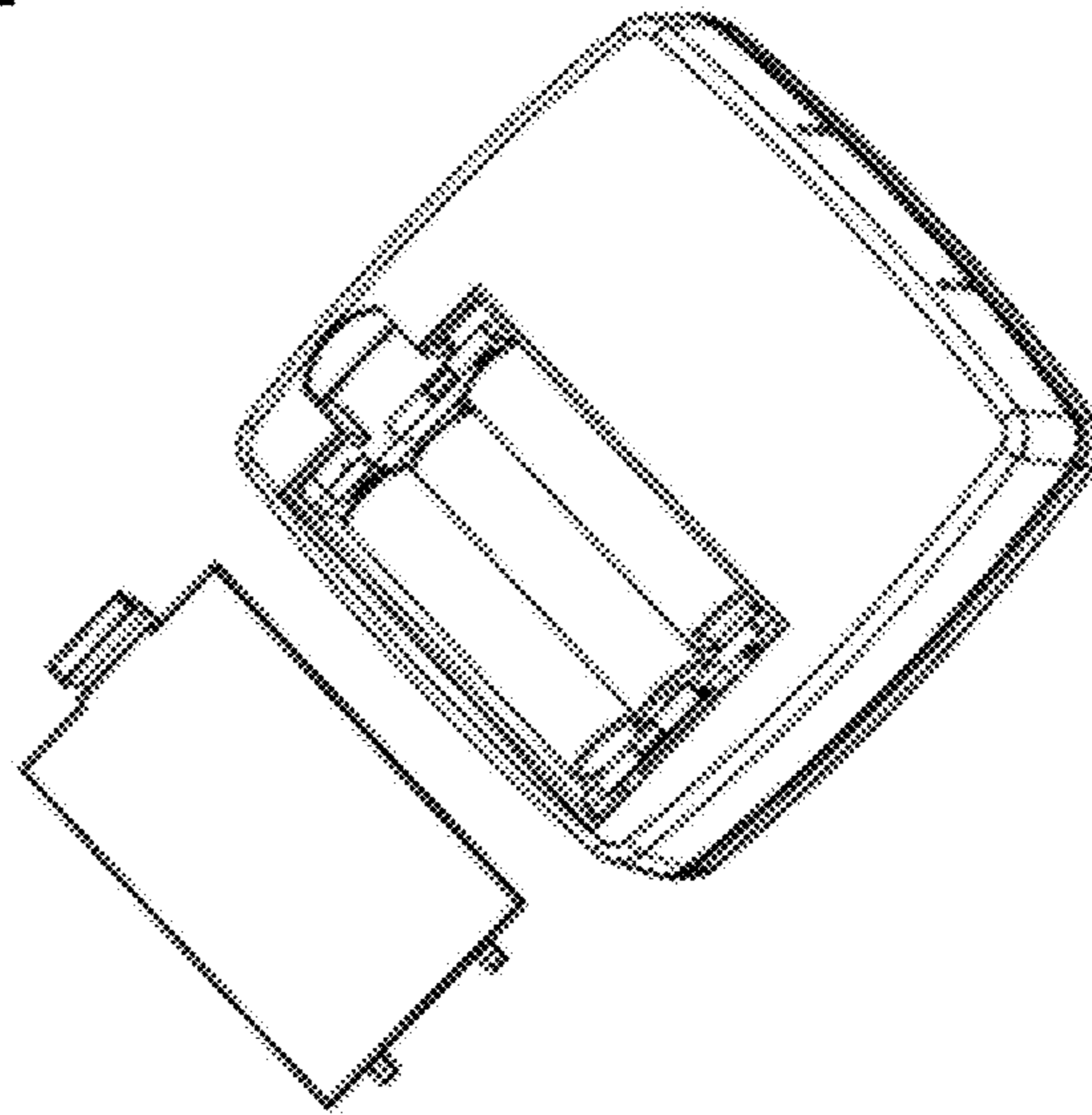


Fig. 12

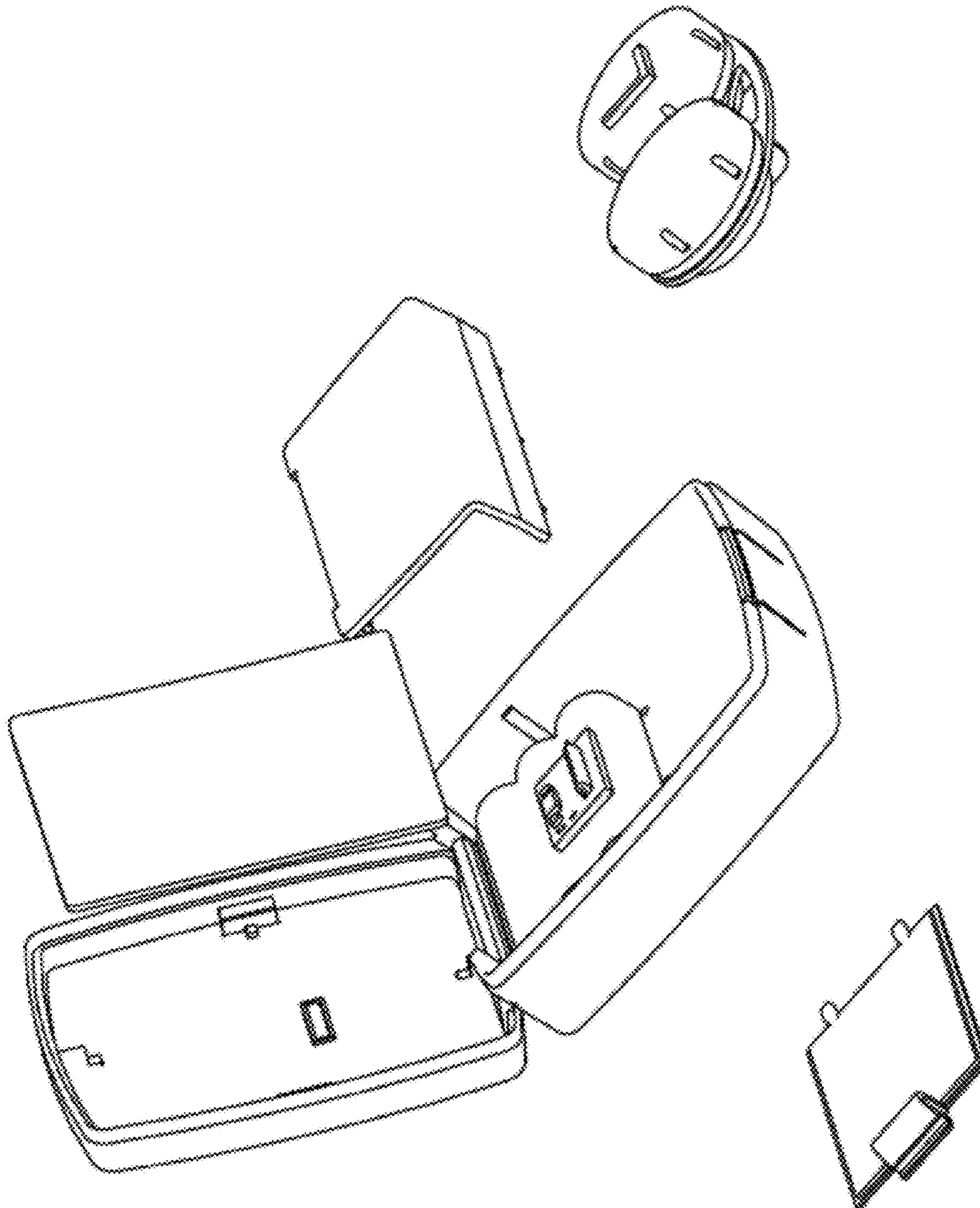


Fig. 13