



US00D762063S

(12) **United States Design Patent**  
**Schulman et al.**

(10) **Patent No.:** **US D762,063 S**  
(45) **Date of Patent:** **\*\* Jul. 26, 2016**

(54) **HANDBAG**

(71) Applicant: **Two Moons Handbags, LLC**, Jupiter,  
FL (US)

(72) Inventors: **Blake Schulman**, Armonk, NY (US);  
**Jocelyn Schulman**, Armonk, NY (US)

(73) Assignee: **TWO MOONS HANDBAGS, LLC.**,  
Jupiter, FL (US)

(\*\*) Term: **14 Years**

(21) Appl. No.: **29/520,128**

(22) Filed: **Mar. 11, 2015**

(51) **LOC (10) Cl.** ..... **03-01**

(52) **U.S. Cl.**  
USPC ..... **D3/246**

(58) **Field of Classification Search**  
USPC ..... D3/201, 202, 205, 207, 226, 230–234,  
D3/239–249, 252, 254, 258, 271.1, 273,  
D3/274, 276, 283, 289, 301, 303; D7/601,  
D7/607

CPC ..... A45C 1/024; A45C 3/08; A45C 3/06;  
A45C 1/06; A45C 1/08; A45C 3/04; A45C  
3/10; A45C 3/12

See application file for complete search history.

(56) **References Cited**

**U.S. PATENT DOCUMENTS**

2,827,096	A *	3/1958	Hinson	.....	A45C 11/38 150/114
D244,723	S *	6/1977	Rabinowitz	.....	D3/289
D280,266	S *	8/1985	Allen	.....	D3/274
D369,676	S *	5/1996	Palmer	.....	D3/263
D375,629	S *	11/1996	Chen	.....	D3/243
D412,269	S *	7/1999	Wyant	.....	D7/607
D472,431	S *	4/2003	Spence, Jr.	.....	D3/289
D476,481	S *	7/2003	Gilbert	.....	D3/276
D487,631	S *	3/2004	Slimane	.....	D3/243
D512,274	S *	12/2005	Cabey	.....	D7/607

D515,362	S *	2/2006	Chan	.....	D3/289
D520,306	S *	5/2006	Peterson	.....	D7/605
D533,996	S *	12/2006	Cassegrain	.....	D3/232
D574,667	S *	8/2008	Grabijas, III	.....	D7/607
D585,705	S *	2/2009	Weers	.....	D7/607
D591,042	S *	4/2009	Stulman	.....	D3/245
D597,381	S *	8/2009	Ledoux	.....	D7/605
D607,205	S *	1/2010	Sabbah	.....	D3/243
D607,697	S *	1/2010	Whitlock	.....	D7/607
D631,247	S *	1/2011	Sabbah	.....	D3/232
D676,233	S *	2/2013	Paugh	.....	D3/226
D715,539	S *	10/2014	Bauer	.....	D3/232
D721,483	S *	1/2015	Baram	.....	D3/233
D721,484	S *	1/2015	Russell	.....	D3/233

\* cited by examiner

*Primary Examiner* — Susan Bennett Hattan

*Assistant Examiner* — Jennifer Wright

(74) *Attorney, Agent, or Firm* — Cowan, Liebowitz &  
Latman, P.C.; Mark Montague

(57) **CLAIM**

The ornamental design for a handbag, as shown and  
described.

**DESCRIPTION**

FIG. 1 is a front perspective view of the handbag of the  
present invention;

FIG. 2 is a front view thereof;

FIG. 3 is a rear view thereof;

FIGS. 4 and 5 are side views thereof;

FIG. 6 is a top view thereof;

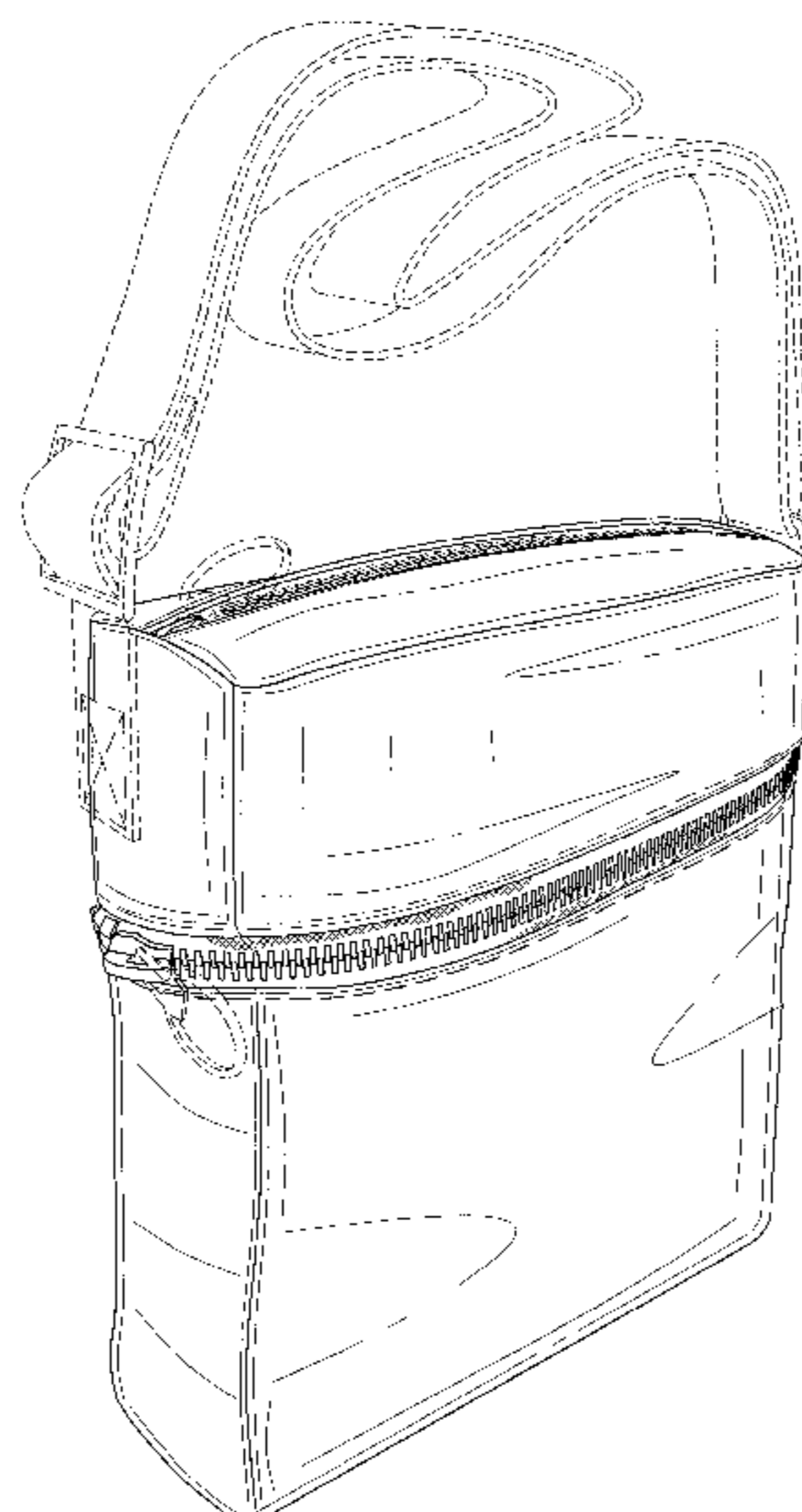
FIG. 7 is a bottom view thereof;

FIG. 8 is a front perspective view thereof with the handbag in  
a partially open position; and,

FIG. 9 is a rear perspective view thereof with the handbag in  
a partially open position.

The broken lines inside of the zipper opening in FIGS. 8 and  
9 depict boundaries only and form no part of the claimed  
design; while the remaining broken lines depict environment  
only and form no part of the claimed design.

**1 Claim, 7 Drawing Sheets**



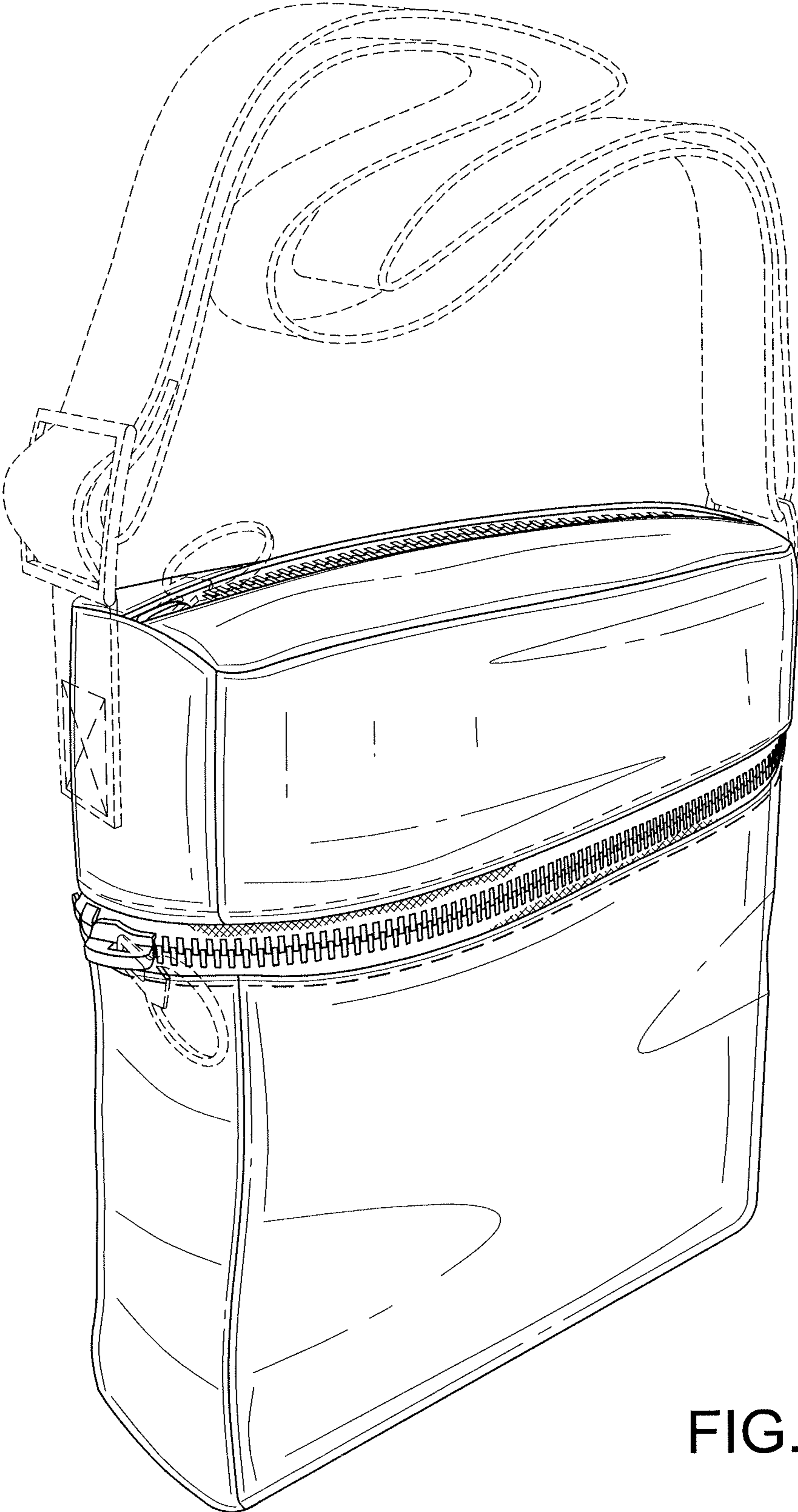


FIG. 1

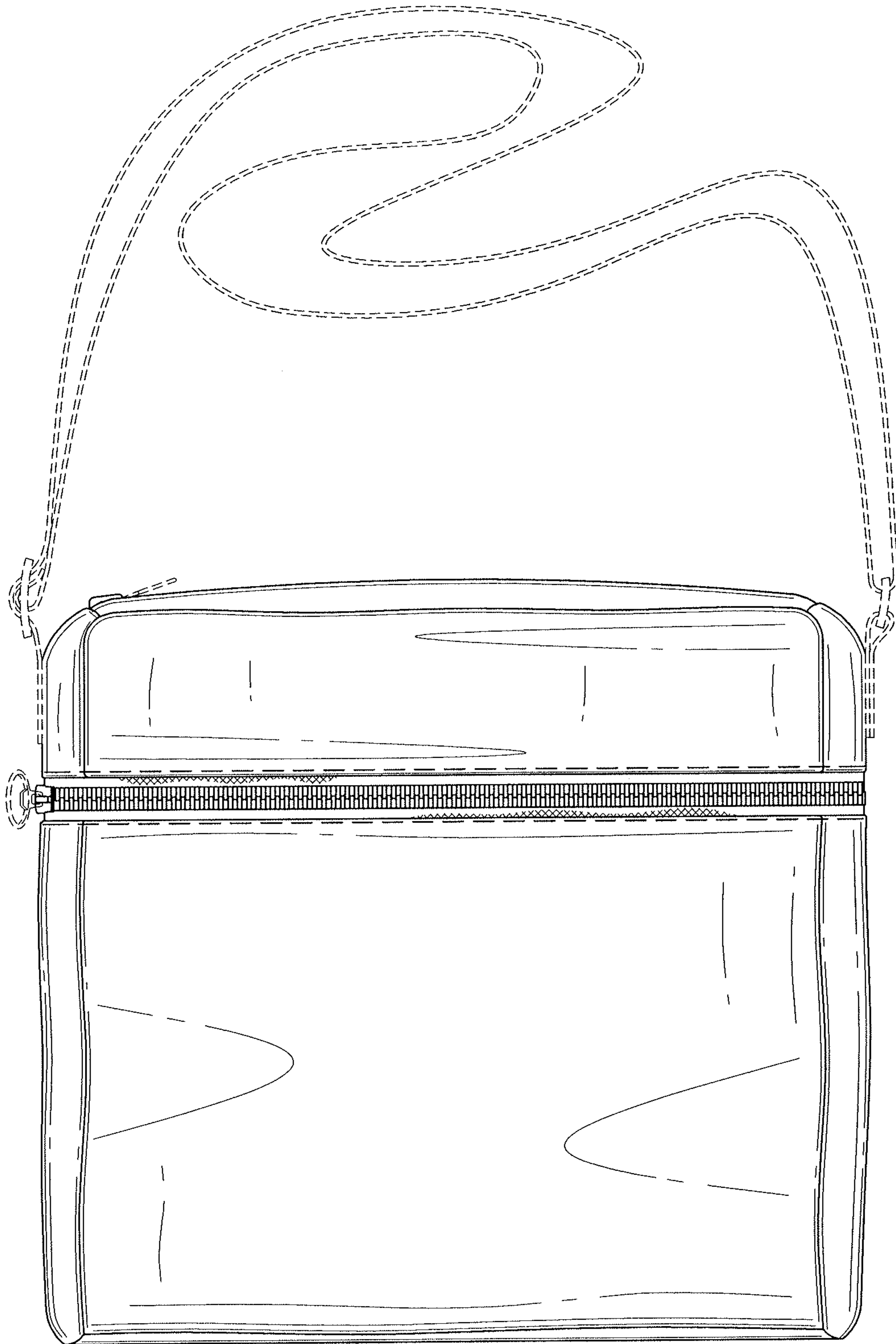


FIG. 2

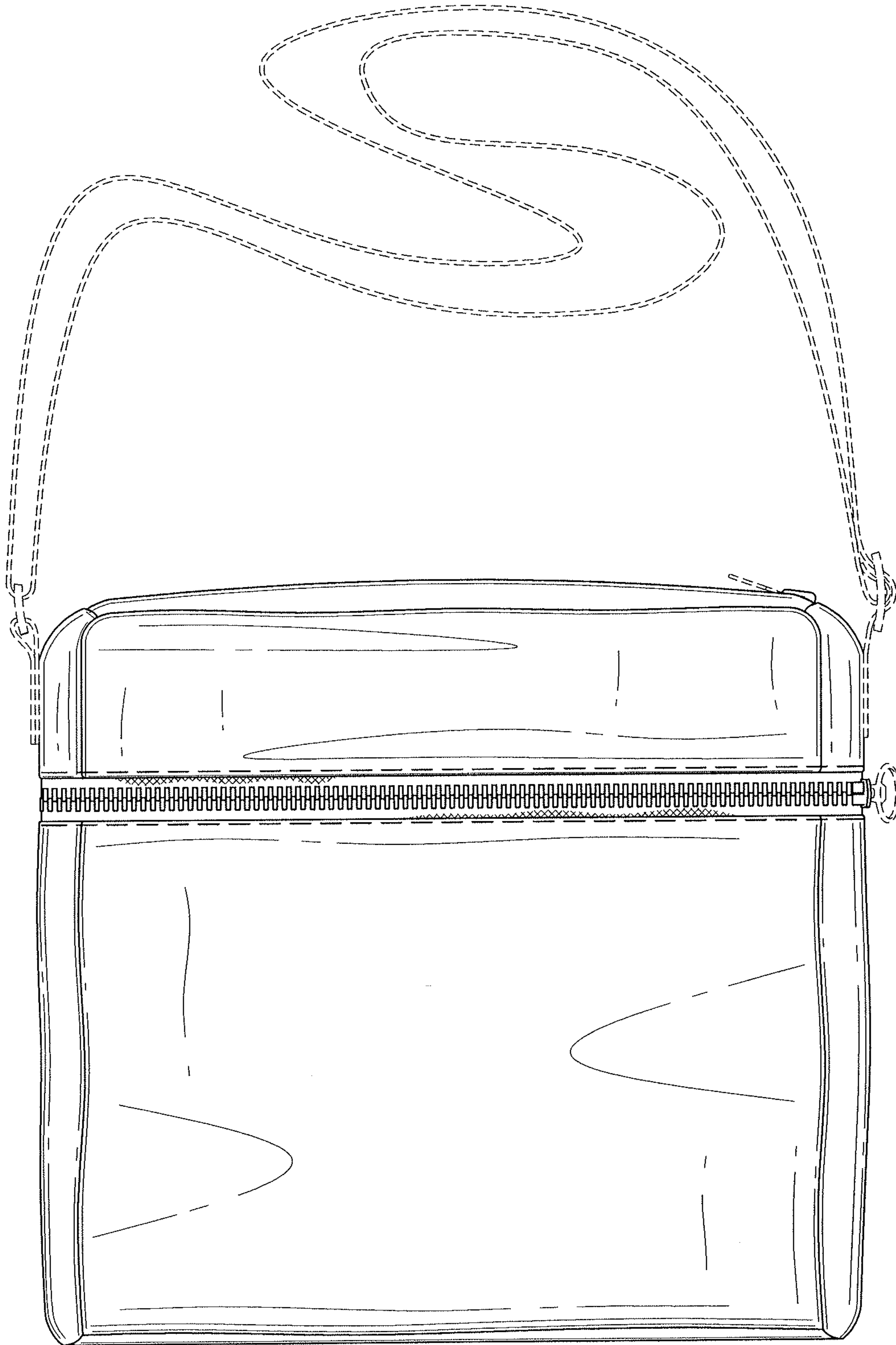


FIG. 3

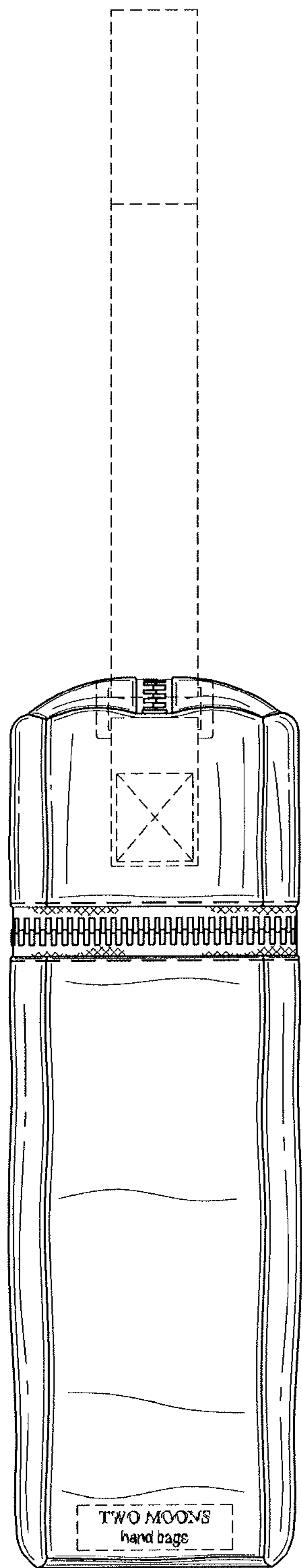


FIG. 4

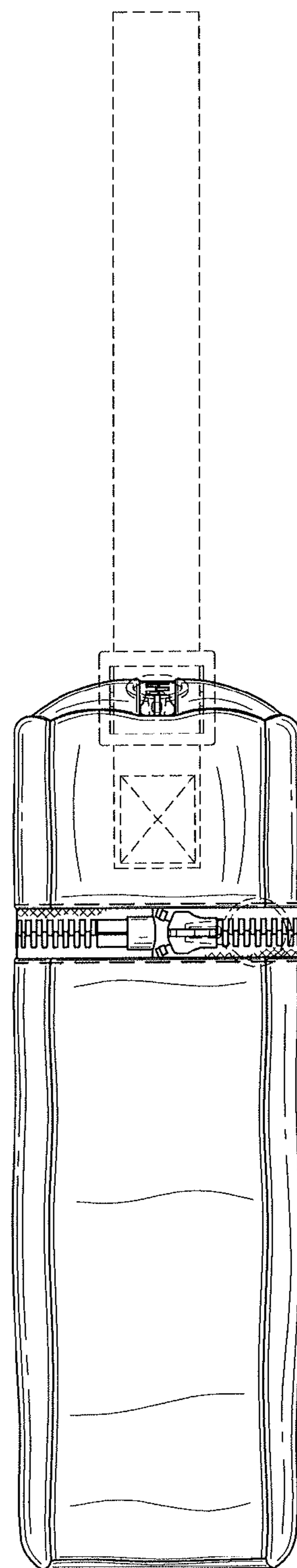


FIG. 5

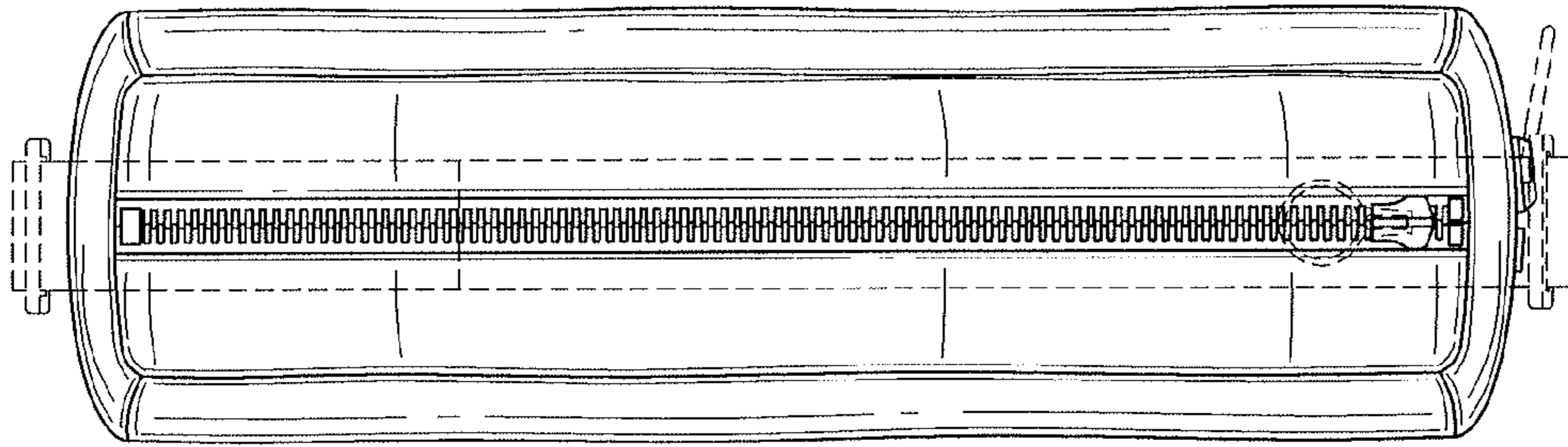


FIG. 6

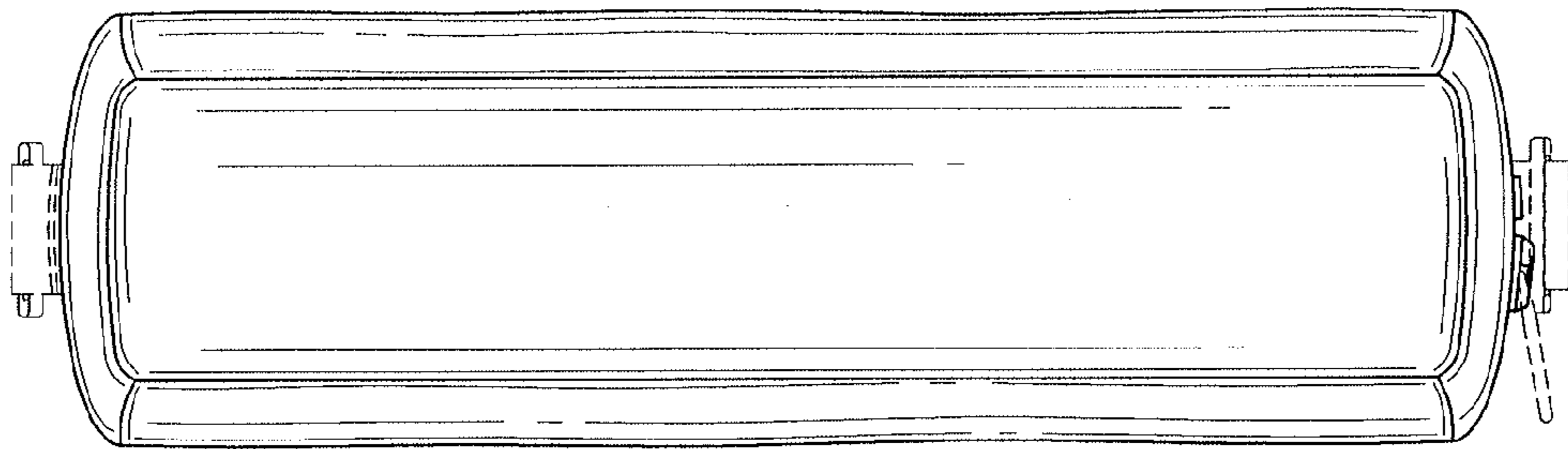


FIG. 7

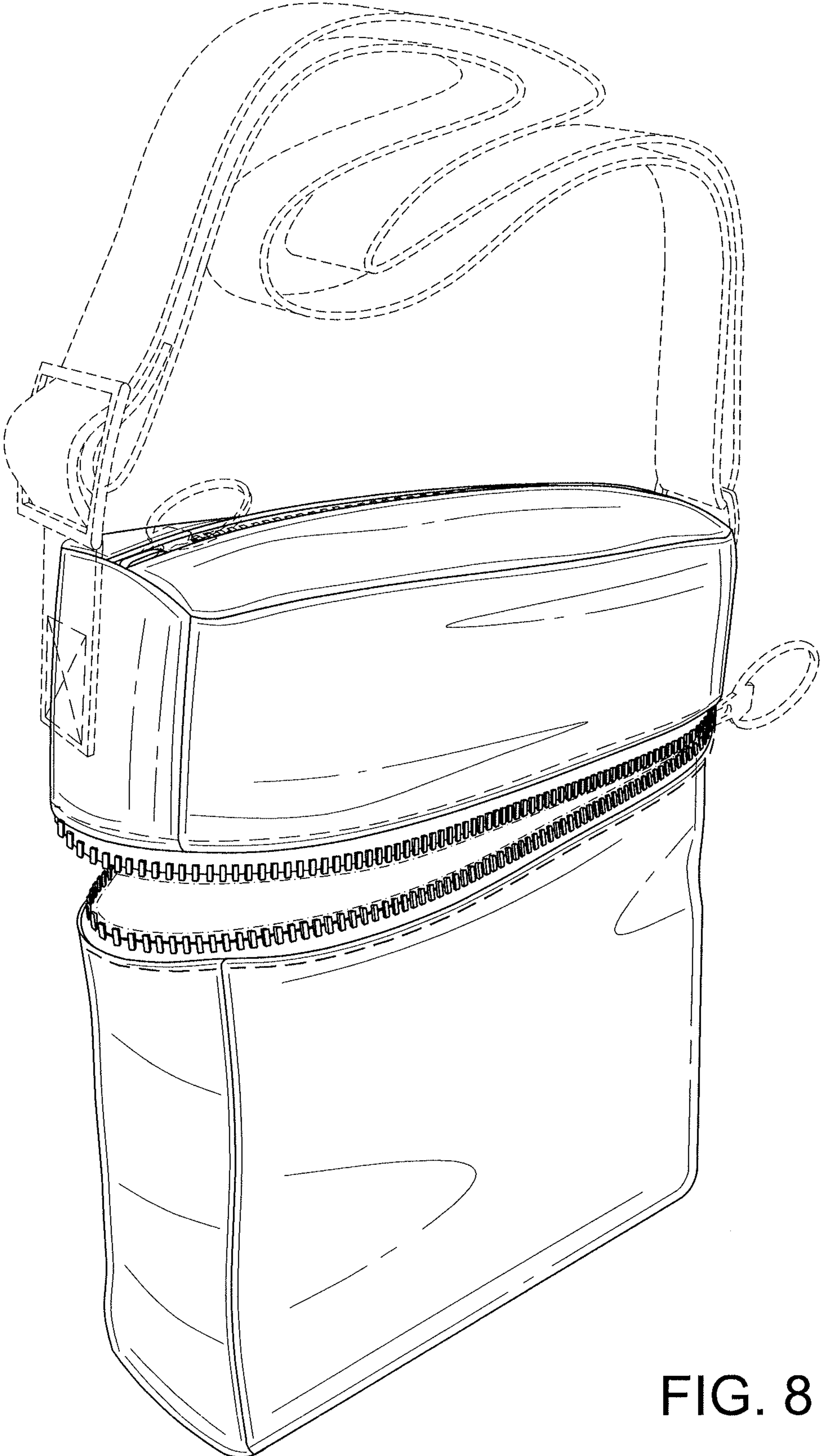


FIG. 8

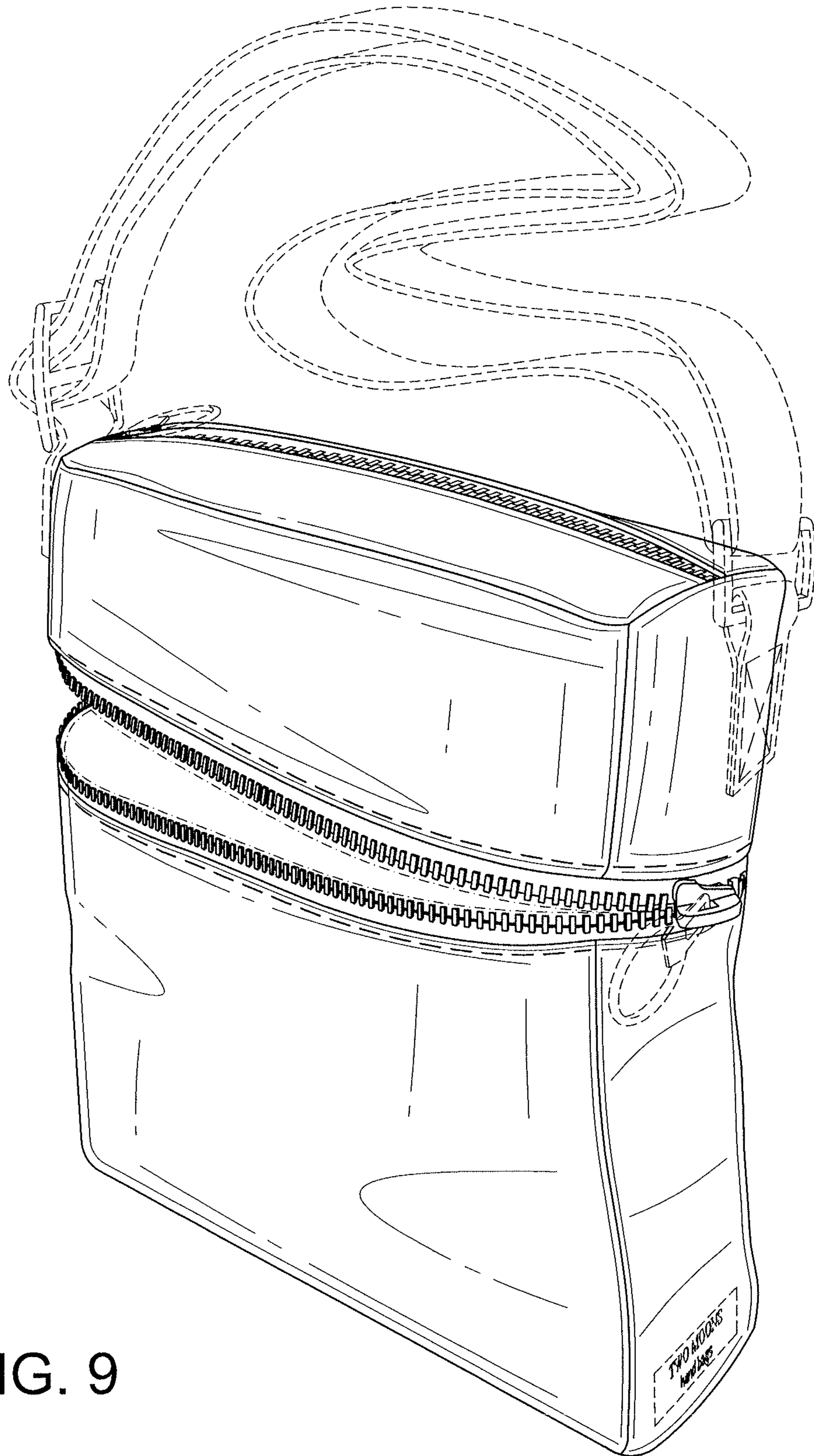


FIG. 9