

US00D762061S

(12) **United States Design Patent**
Serrano

(10) **Patent No.:** **US D762,061 S**
(45) **Date of Patent:** **** Jul. 26, 2016**

- (54) **BAG**
- (71) Applicant: **Chloe S.A.S.**, Paris (FR)
- (72) Inventor: **Myriam Serrano**, Paris (FR)
- (73) Assignee: **Chloe S.A.S.**, Paris (FR)
- (**) Term: **14 Years**
- (21) Appl. No.: **29/522,358**
- (22) Filed: **Mar. 30, 2015**
- (30) **Foreign Application Priority Data**
Mar. 6, 2015 (EM) 002648089
- (51) **LOC (10) Cl.** **03-01**
- (52) **U.S. Cl.**
USPC **D3/243**
- (58) **Field of Classification Search**
USPC D3/232–233, 240–243, 245–246
CPC A45C 1/024; A45C 3/08
See application file for complete search history.

- (56) **References Cited**
U.S. PATENT DOCUMENTS
D406,457 S * 3/1999 De Baschmakoff D3/232
D583,553 S * 12/2008 Stulman D3/232
D675,429 S * 2/2013 Della Valle D3/243

D698,145 S * 1/2014 Deneve D3/243
* cited by examiner

Primary Examiner — Holly Baynham
(74) *Attorney, Agent, or Firm* — Fross Zelnick Lehrman & Zissu, P.C.; Charles T. J. Weigell, Esq.; Lawrence E. Apolzon, Esq.

(57) **CLAIM**
The ornamental design for a bag, as shown and described.

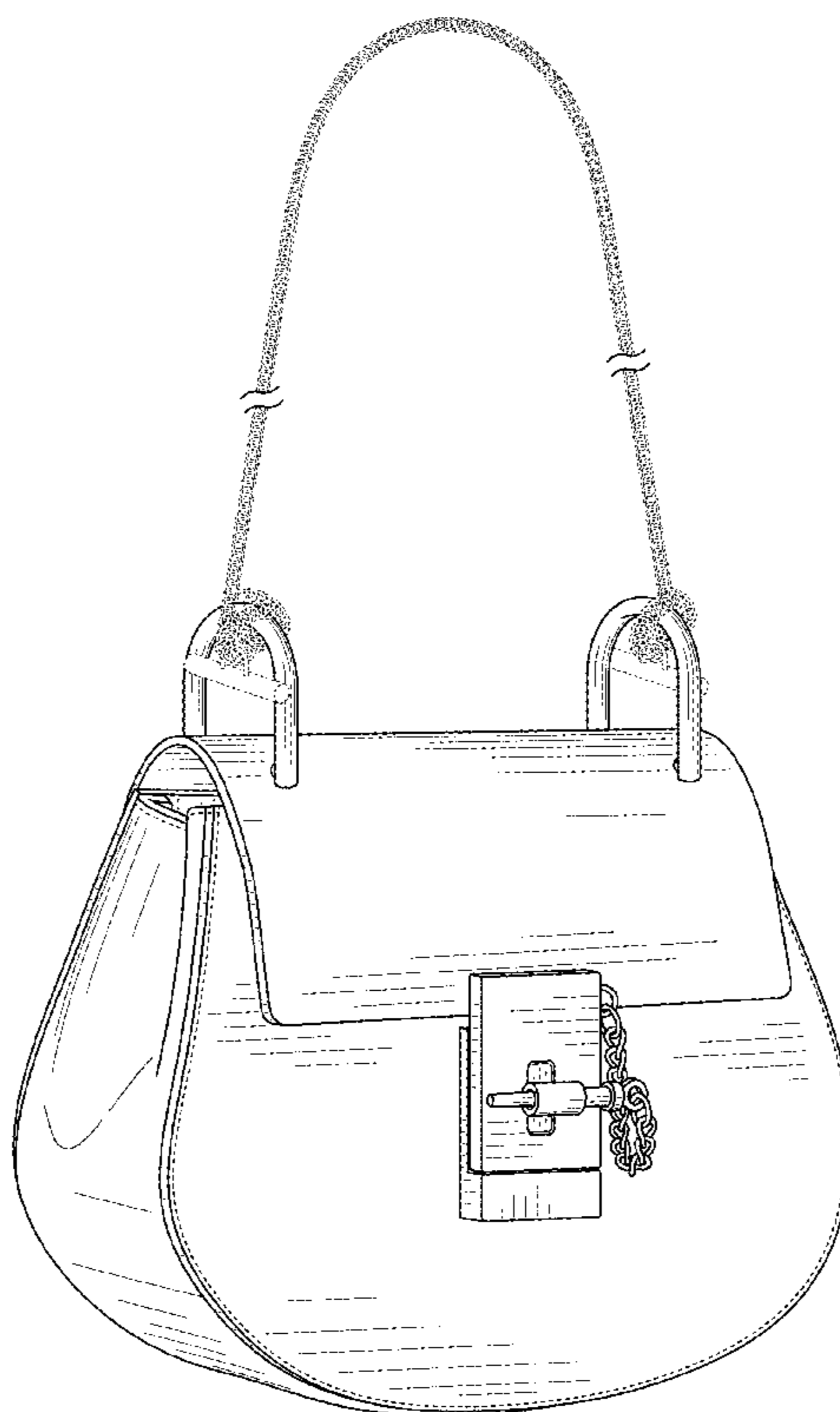
DESCRIPTION

FIG. 1 is a front perspective view of a bag showing my new design;
FIG. 2 is a front view thereof;
FIG. 3 is a back view thereof;
FIG. 4 is a left side view thereof;
FIG. 5 is a right side view thereof;
FIG. 6 is a top view thereof;
FIG. 7 is a bottom view thereof; and,
FIG. 8 is a close-up view of the clasp and pin mechanism shown in FIG. 1.

The broken away symbols in the drawings indicate that any portion of the article beyond what is shown forms no part of the claimed design.

The broken lines showing the chain handle and hanging metal bats are for the purposes of illustrating environment and forms no part of the claimed design. The bolder broken lines represent stitching and are part of the claimed design.

1 Claim, 6 Drawing Sheets



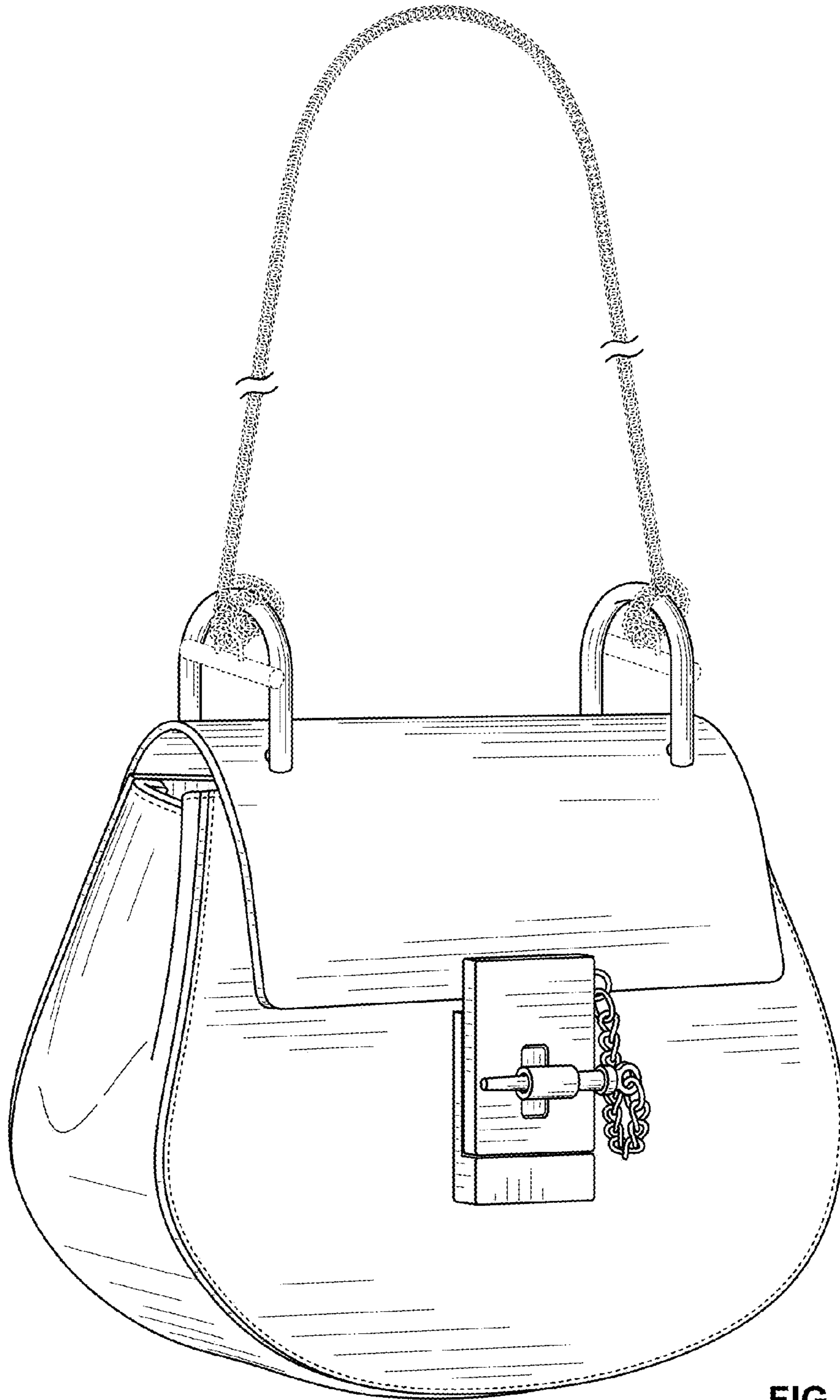


FIG. 1

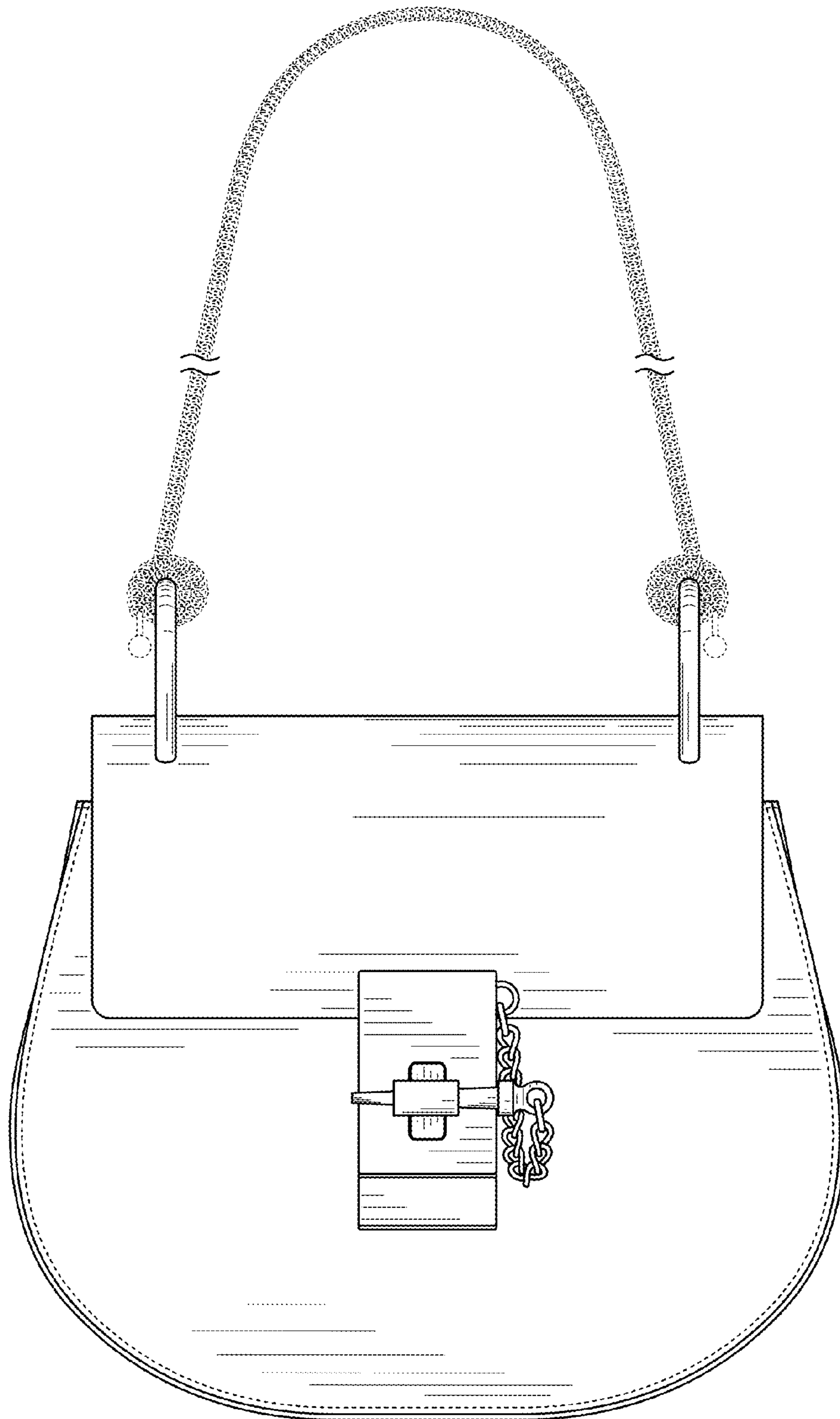


FIG. 2

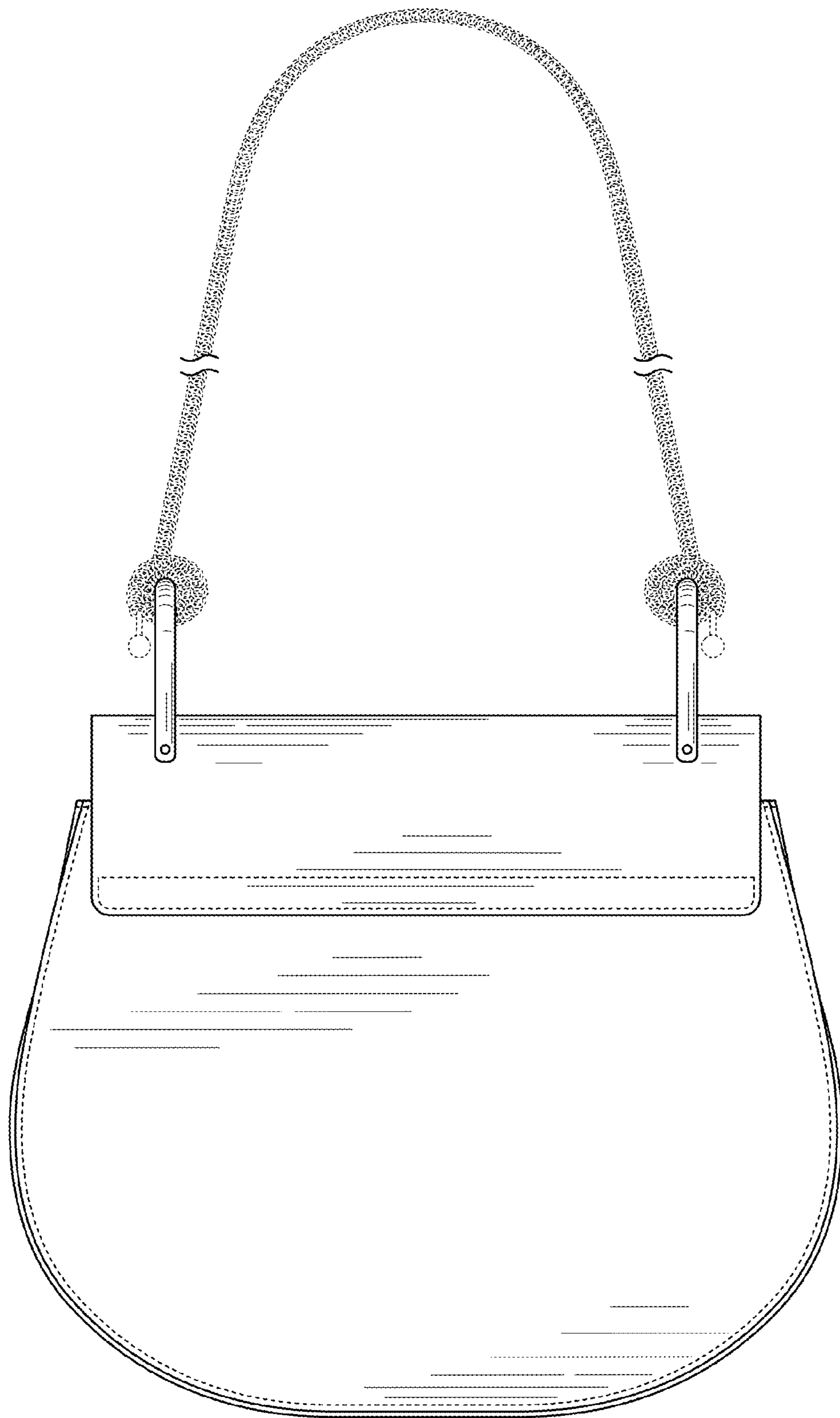


FIG. 3

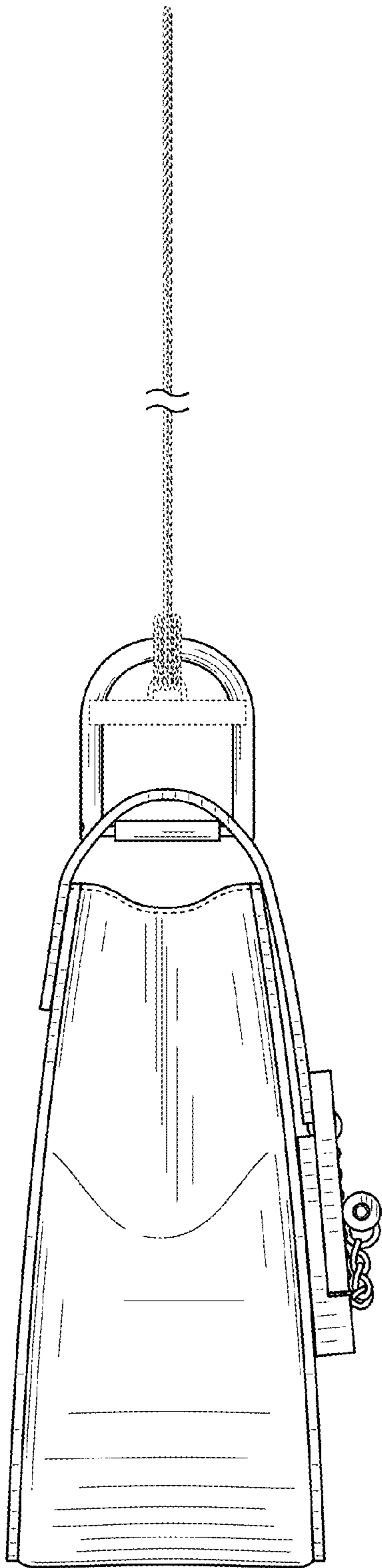


FIG. 4

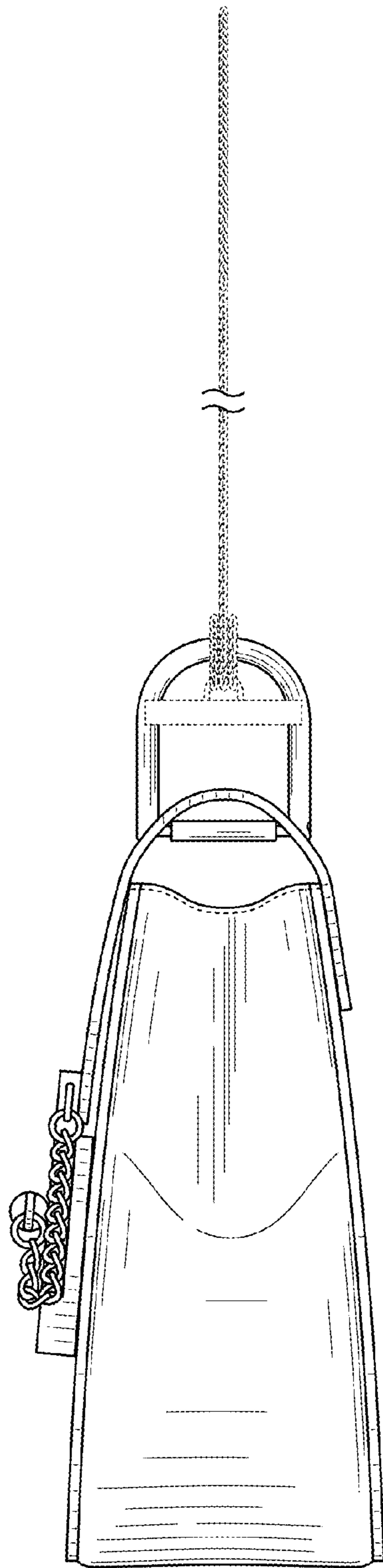


FIG. 5

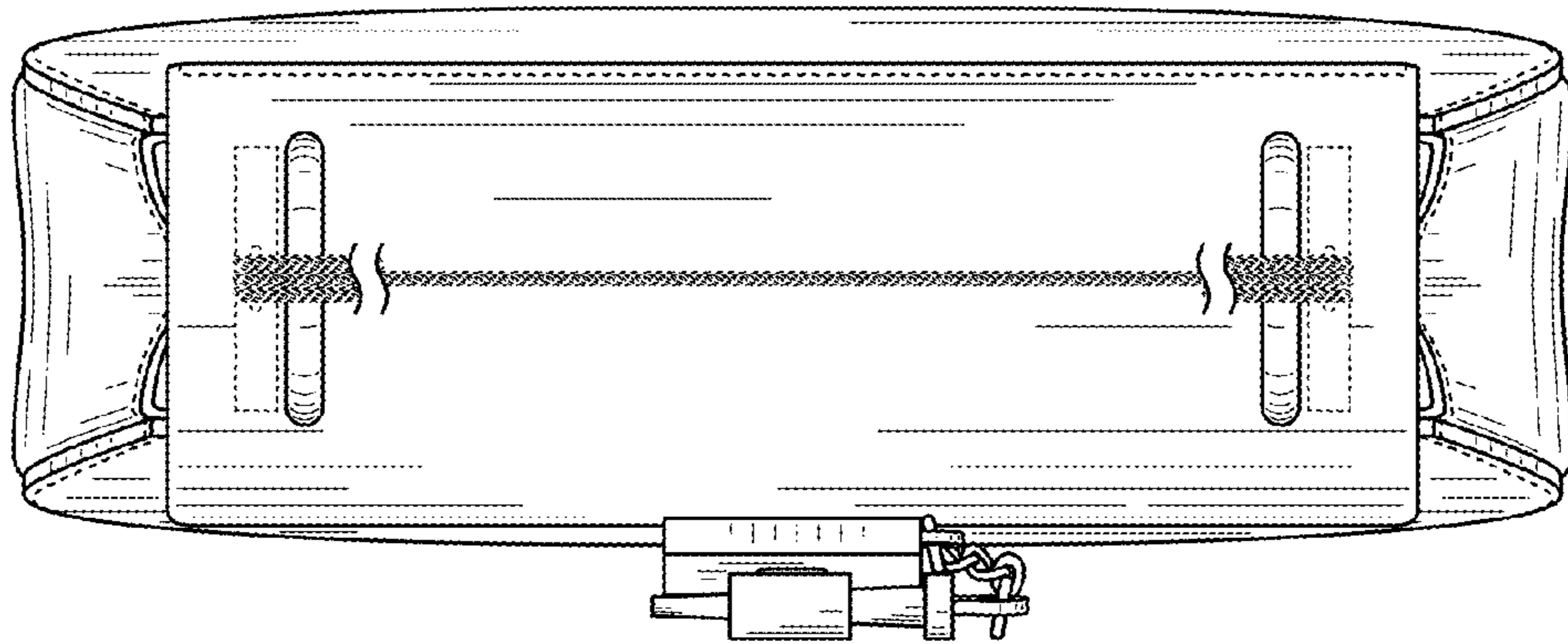


FIG. 6

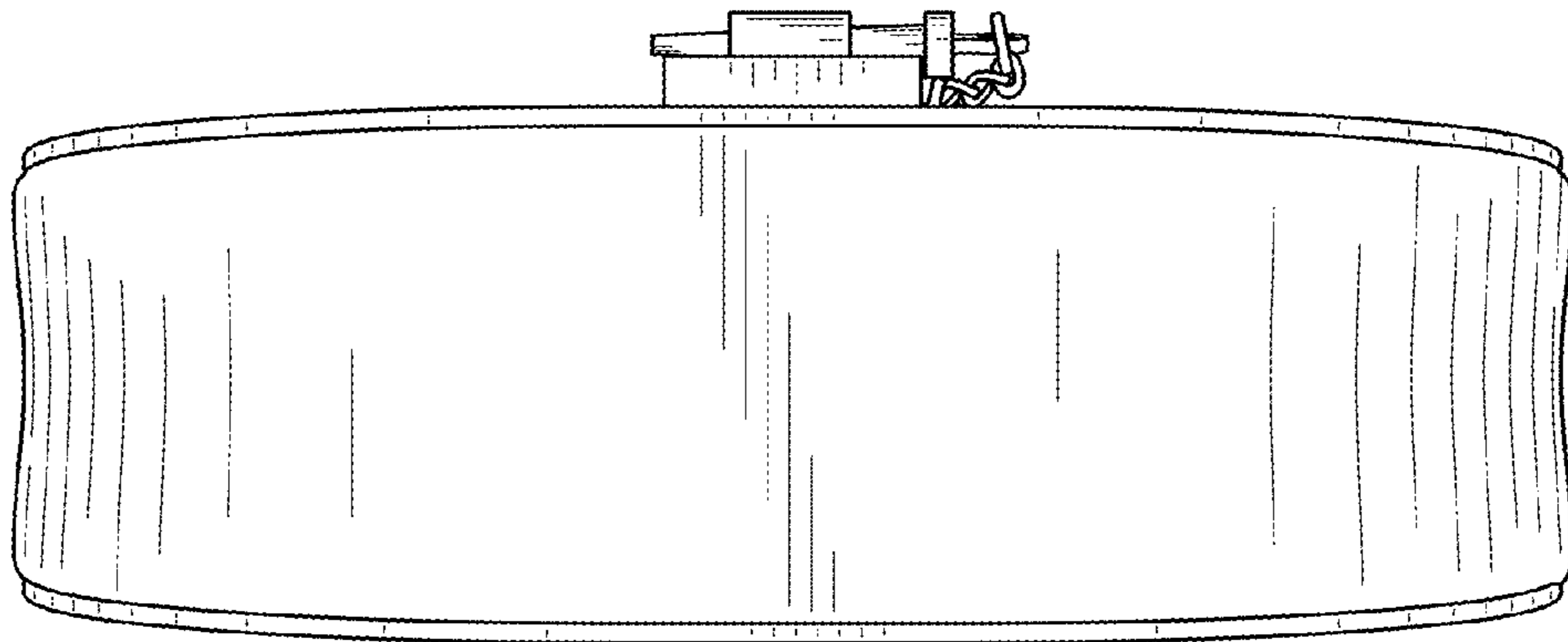


FIG. 7

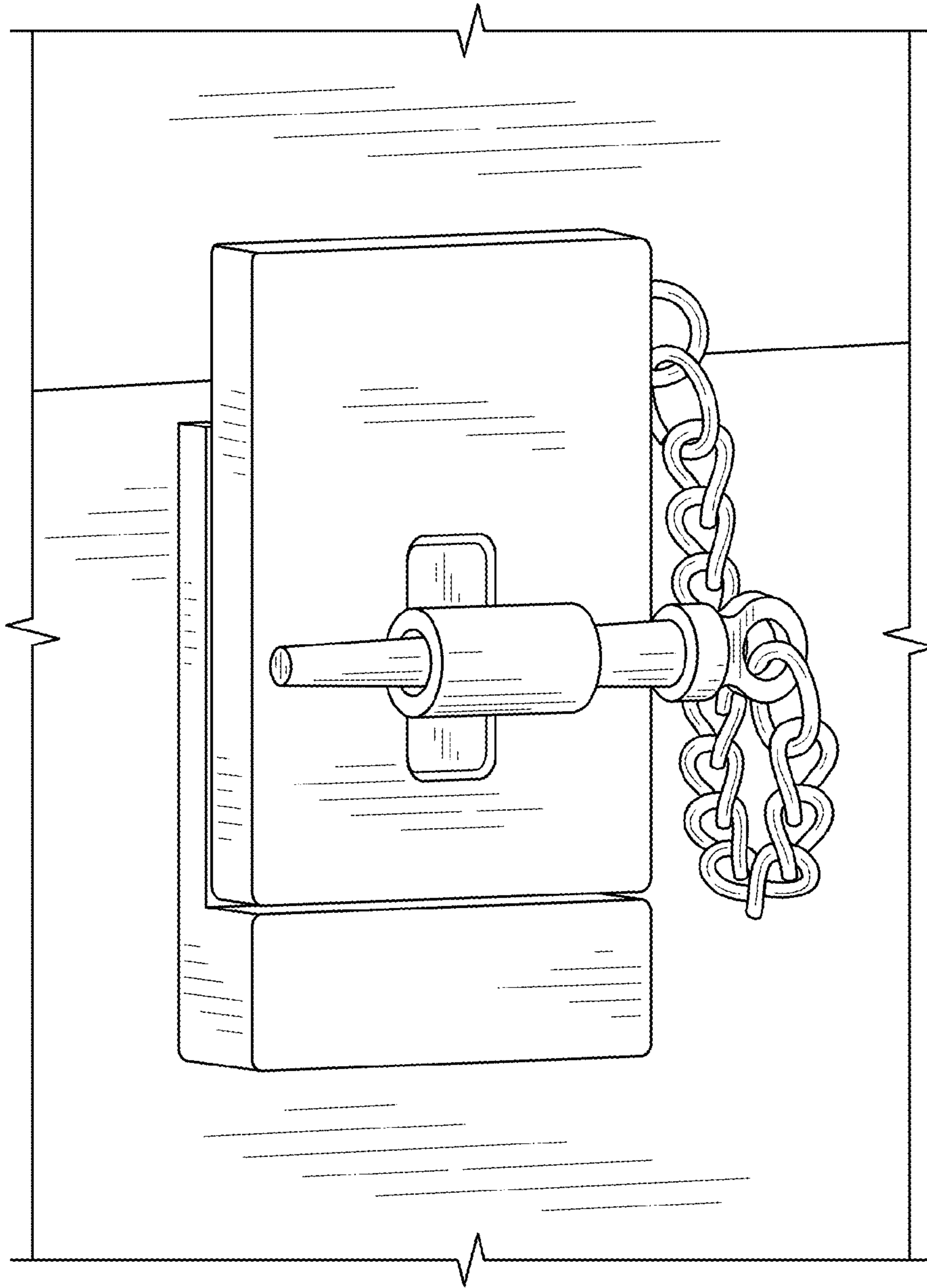


FIG. 8