

US00D762060S

(12) **United States Design Patent**  
**Adio**

(10) **Patent No.:** **US D762,060 S**  
(45) **Date of Patent:** **\*\* Jul. 26, 2016**

(54) **BAG**  
(71) Applicant: **Ambokile Adio**, Point Fortin (TT)  
(72) Inventor: **Ambokile Adio**, Point Fortin (TT)  
(\*\*) Term: **14 Years**  
(21) Appl. No.: **29/519,009**  
(22) Filed: **Mar. 2, 2015**

(30) **Foreign Application Priority Data**

Sep. 26, 2014 (TT) ..... TT/D/2014/00023  
(51) **LOC (10) Cl.** ..... **03-01**  
(52) **U.S. Cl.**  
USPC ..... **D3/243**  
(58) **Field of Classification Search**  
USPC ..... D3/232-233, 240-243, 245-246  
CPC ..... A45C 1/024; A45C 3/08  
See application file for complete search history.

(56) **References Cited**

**U.S. PATENT DOCUMENTS**

D631,247 S \* 1/2011 Sabbah ..... D3/232  
D643,211 S \* 8/2011 Yuson ..... D3/232  
D666,815 S \* 9/2012 Janus ..... D3/274

D672,959 S \* 12/2012 Denzinger ..... D3/289  
D674,600 S \* 1/2013 Iacchetti ..... D3/243  
D675,015 S \* 1/2013 Iacchetti ..... D3/243  
D677,891 S \* 3/2013 Janus ..... D3/289  
D705,537 S \* 5/2014 Smith ..... D3/243  
D717,041 S \* 11/2014 Pulliam ..... D3/233

\* cited by examiner

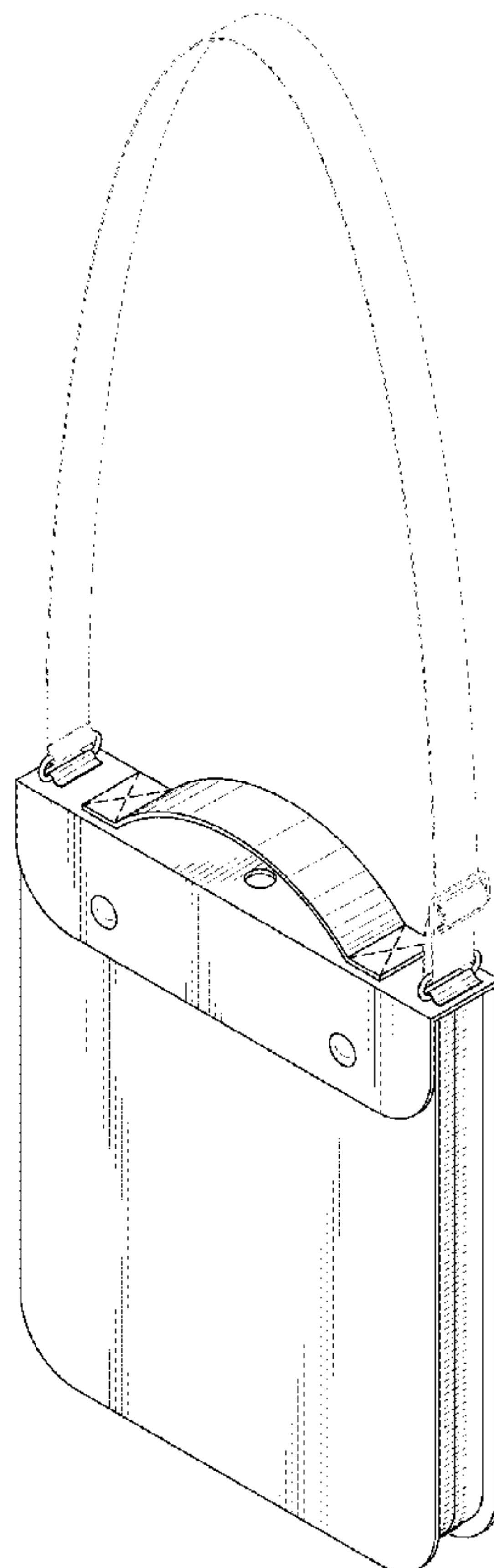
*Primary Examiner* — Holly Baynham  
(74) *Attorney, Agent, or Firm* — Nixon & Vanderhye P.C.

(57) **CLAIM**  
The ornamental design for a bag, as shown and described.

**DESCRIPTION**

FIG. 1 is a perspective view of the front, top and one side of the bag showing my new design, the other side being the same;  
FIG. 2 is a perspective view of the rear, top and one side thereof;  
FIG. 3 is a perspective view of the front, top and one side thereof, with the body thereof being in a closed position and the top cover thereof being in an open position;  
FIG. 4 is a perspective view of the front and one side thereof, with the body and the top cover thereof being in an open position; and,  
FIG. 5 is a plan view of the bottom thereof.  
The broken lines showing the shaft portion of the handle are for the purposes of illustrating environment and forms no part of the claimed design.

**1 Claim, 4 Drawing Sheets**



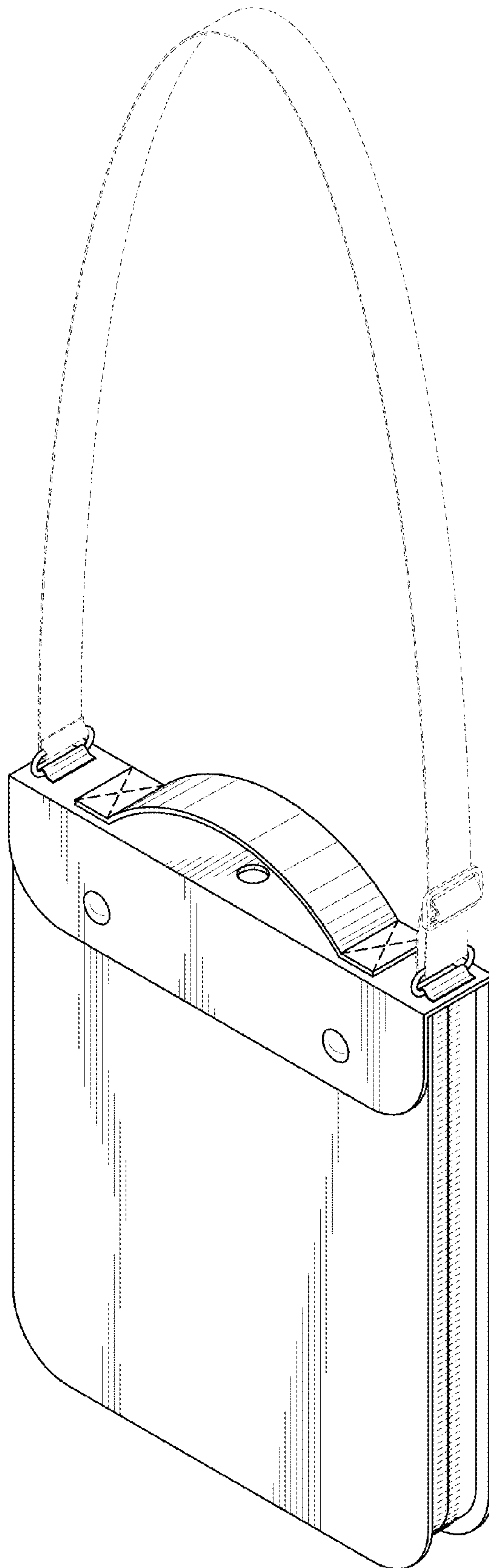


FIG. 1

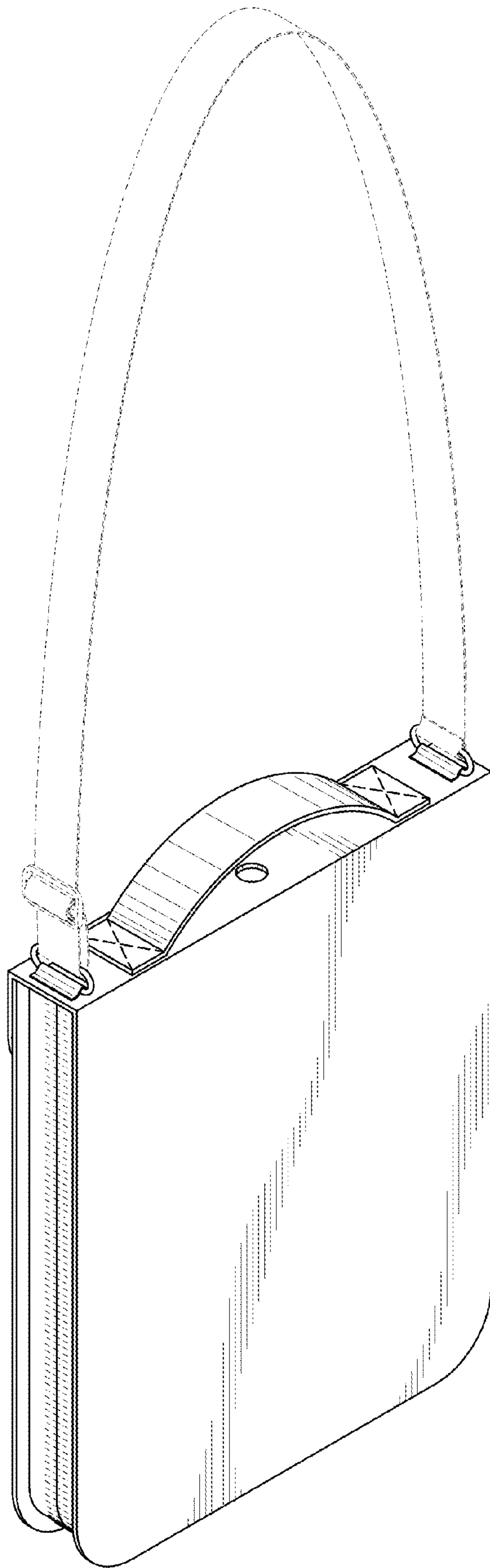


FIG. 2

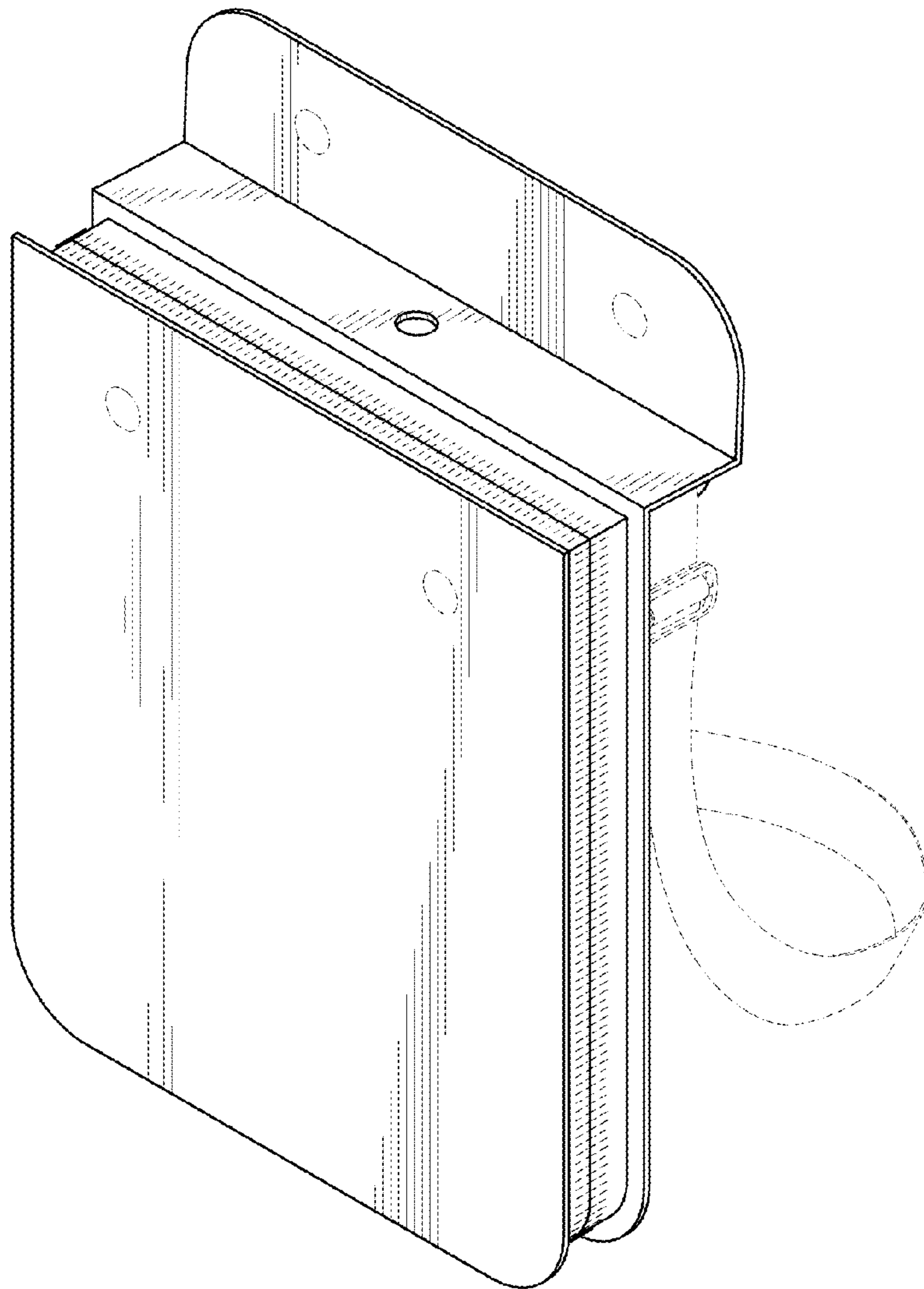


FIG. 3

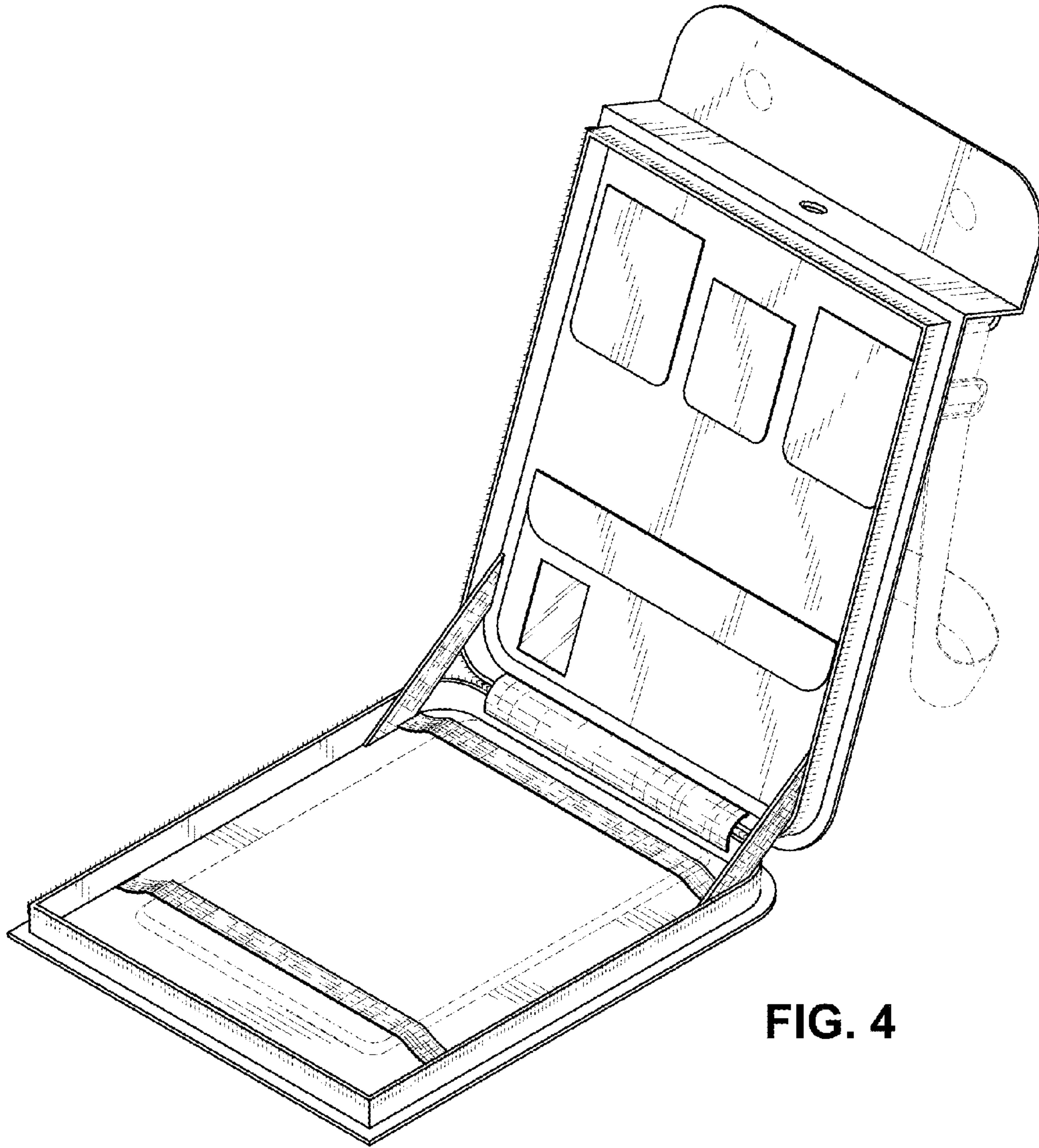


FIG. 4

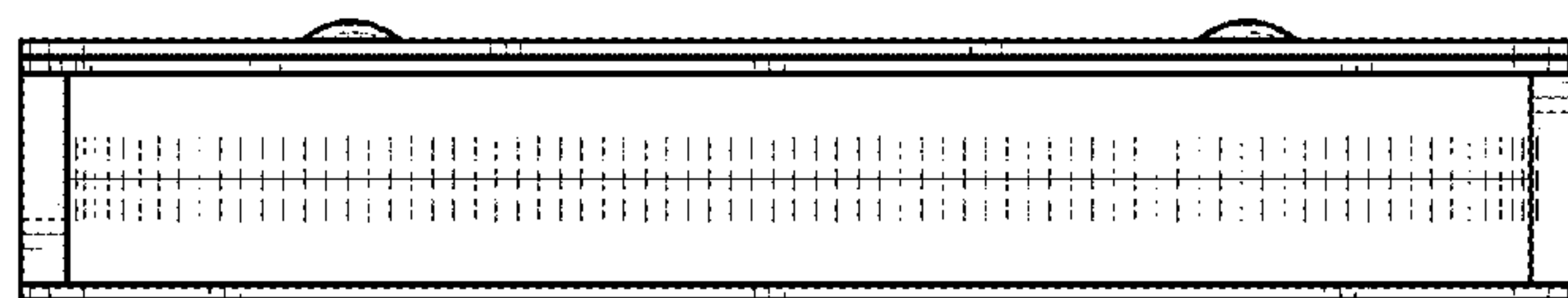


FIG. 5