



US00D762059S

(12) **United States Design Patent**
Kliot

(10) **Patent No.:** **US D762,059 S**
(45) **Date of Patent:** **** Jul. 26, 2016**

- (54) **BACKPACK FOR FOOTWEAR**
- (71) Applicant: **Eugene Kliot**, Briarcliff Manor, NY (US)
- (72) Inventor: **Eugene Kliot**, Briarcliff Manor, NY (US)
- (73) Assignee: **Visual Impact Films Corp.**, Hartsdale, NY (US)
- (**) Term: **14 Years**
- (21) Appl. No.: **29/507,581**
- (22) Filed: **Oct. 29, 2014**
- (51) **LOC (10) Cl.** **03-01**
- (52) **U.S. Cl.**
USPC **D3/217**
- (58) **Field of Classification Search**
USPC D3/215, 216, 217, 221, 222, 224, 225, D3/261, 262, 269, 273, 289, 290
CPC A45F 3/04; A45F 3/042; A45F 3/08; A45F 3/10; A45F 3/14; A45F 4/02; A45F 4/08; A45F 2200/05; A45F 2200/0525; A45C 13/08; A45C 13/083
See application file for complete search history.

5,509,589	A *	4/1996	Kliot	224/637
5,826,771	A *	10/1998	Peng	224/651
5,950,895	A *	9/1999	Zakarin	224/645
D457,307	S *	5/2002	Pukall et al.	D3/217
D557,009	S *	12/2007	Elmberg et al.	D3/217
D635,762	S *	4/2011	Fahim	D3/217
D732,287	S *	6/2015	Clark	D3/217
D734,942	S *	7/2015	Robinson et al.	D3/217
2005/0133399	A1 *	6/2005	Fidrych	206/545
2007/0235490	A1 *	10/2007	Katz et al.	224/579
2008/0029562	A1 *	2/2008	Hawkins et al.	224/153
2010/0108730	A1 *	5/2010	Sabbah	224/651
2011/0180575	A1 *	7/2011	Abramowitz et al.	224/259
2013/0026204	A1 *	1/2013	Abramowitz et al.	224/613
2015/0129629	A1 *	5/2015	Voggenthaler et al.	224/645

* cited by examiner

Primary Examiner — John Windmuller

Assistant Examiner — Steven Czyn

(74) *Attorney, Agent, or Firm* — James A. Quinton

(57) **CLAIM**

The ornamental design for backpack for footwear, as shown and described.

DESCRIPTION

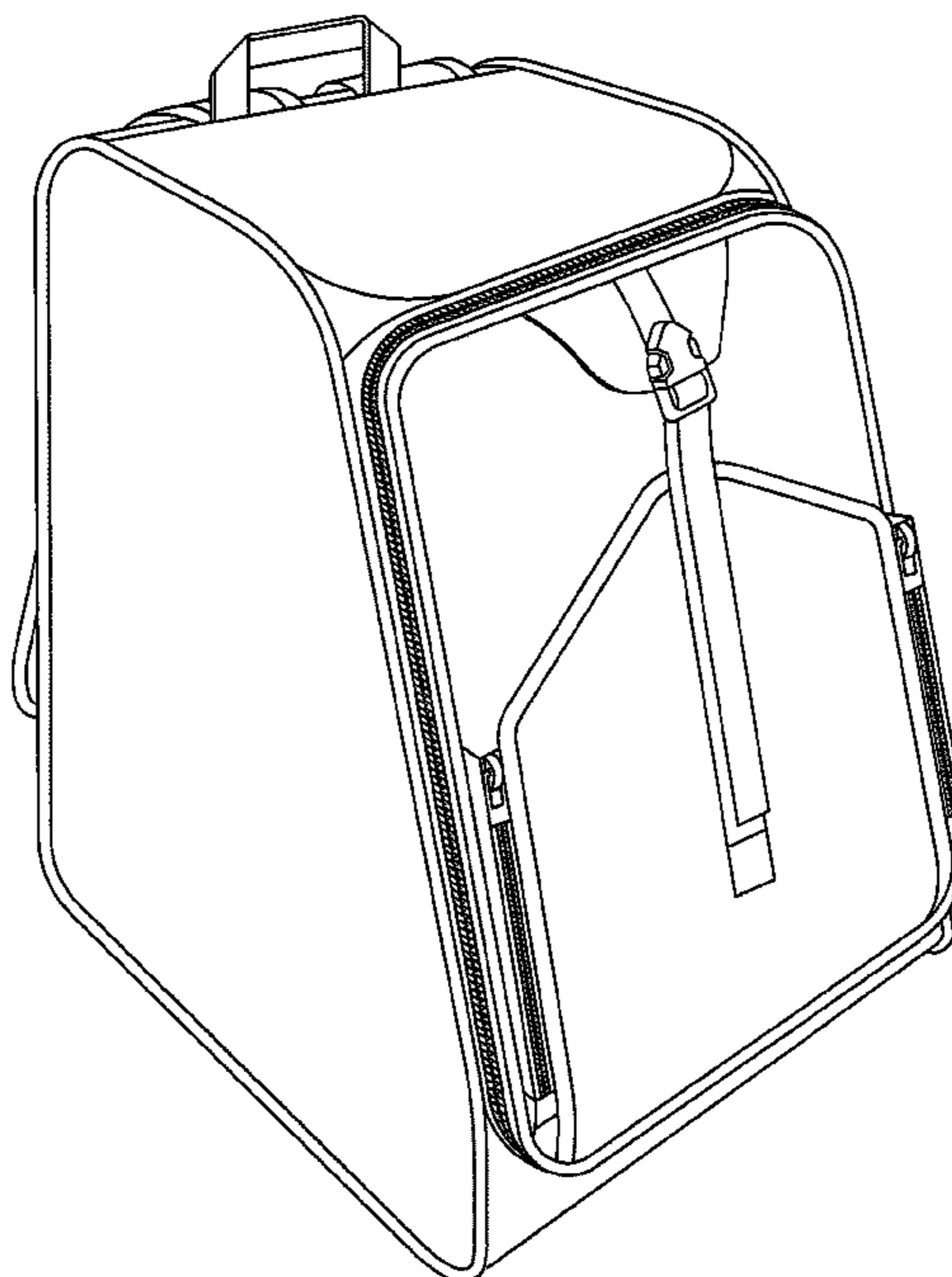
FIG. 1 is a top front left side perspective view of a backpack for footwear according to the invention.
 FIG. 2 is a front elevational view thereof.
 FIG. 3 is a top view thereof.
 FIG. 4 is a left side view thereof.
 FIG. 5 is a right side view thereof.
 FIG. 6 is a rear view thereof; and,
 FIG. 7 is a bottom view thereof.

1 Claim, 7 Drawing Sheets

(56) **References Cited**

U.S. PATENT DOCUMENTS

D293,391	S *	12/1987	Preston	D3/269
4,979,658	A *	12/1990	Baker	224/153
D367,173	S *	2/1996	Trihus	D3/317



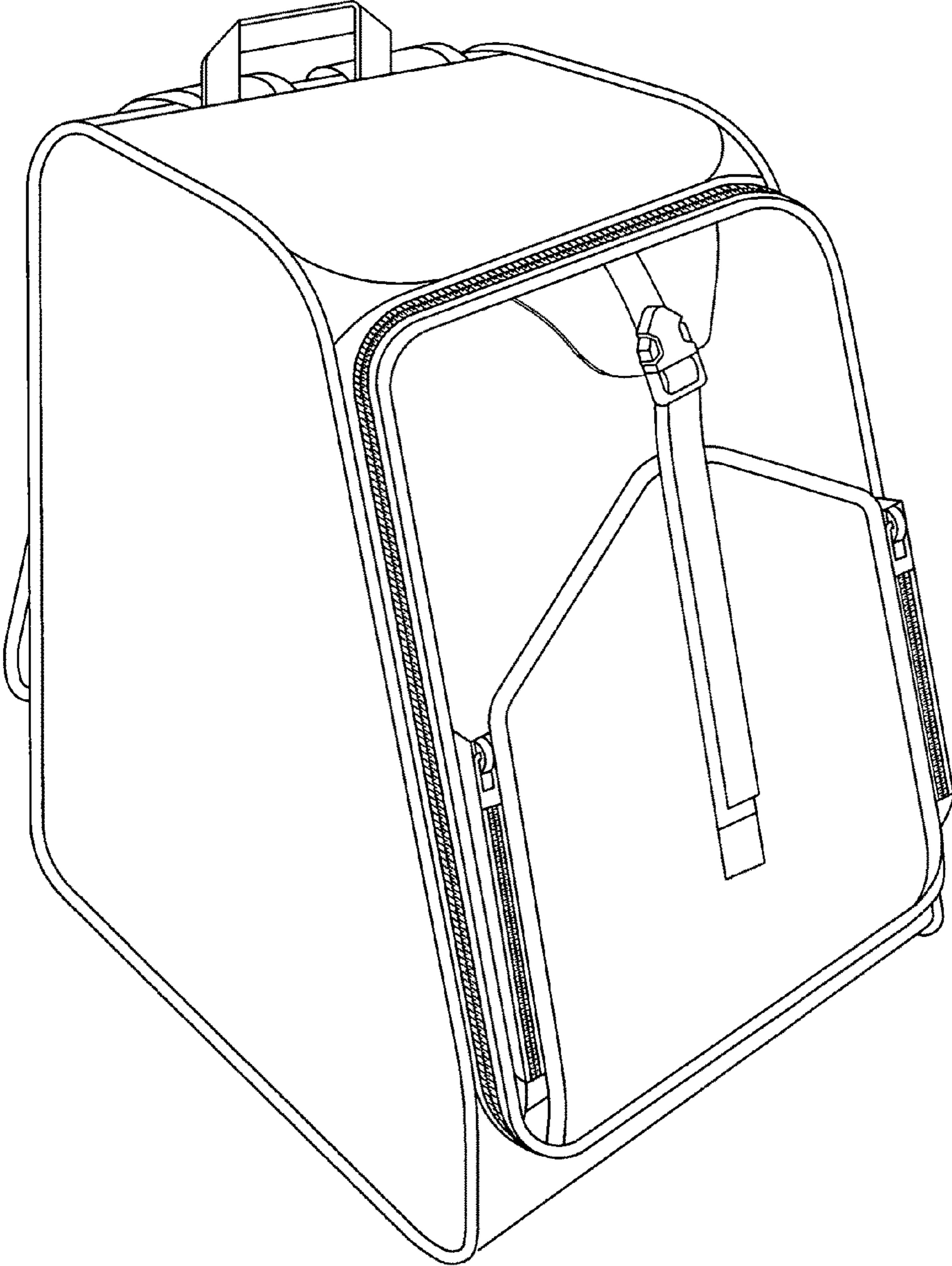


FIG. 1

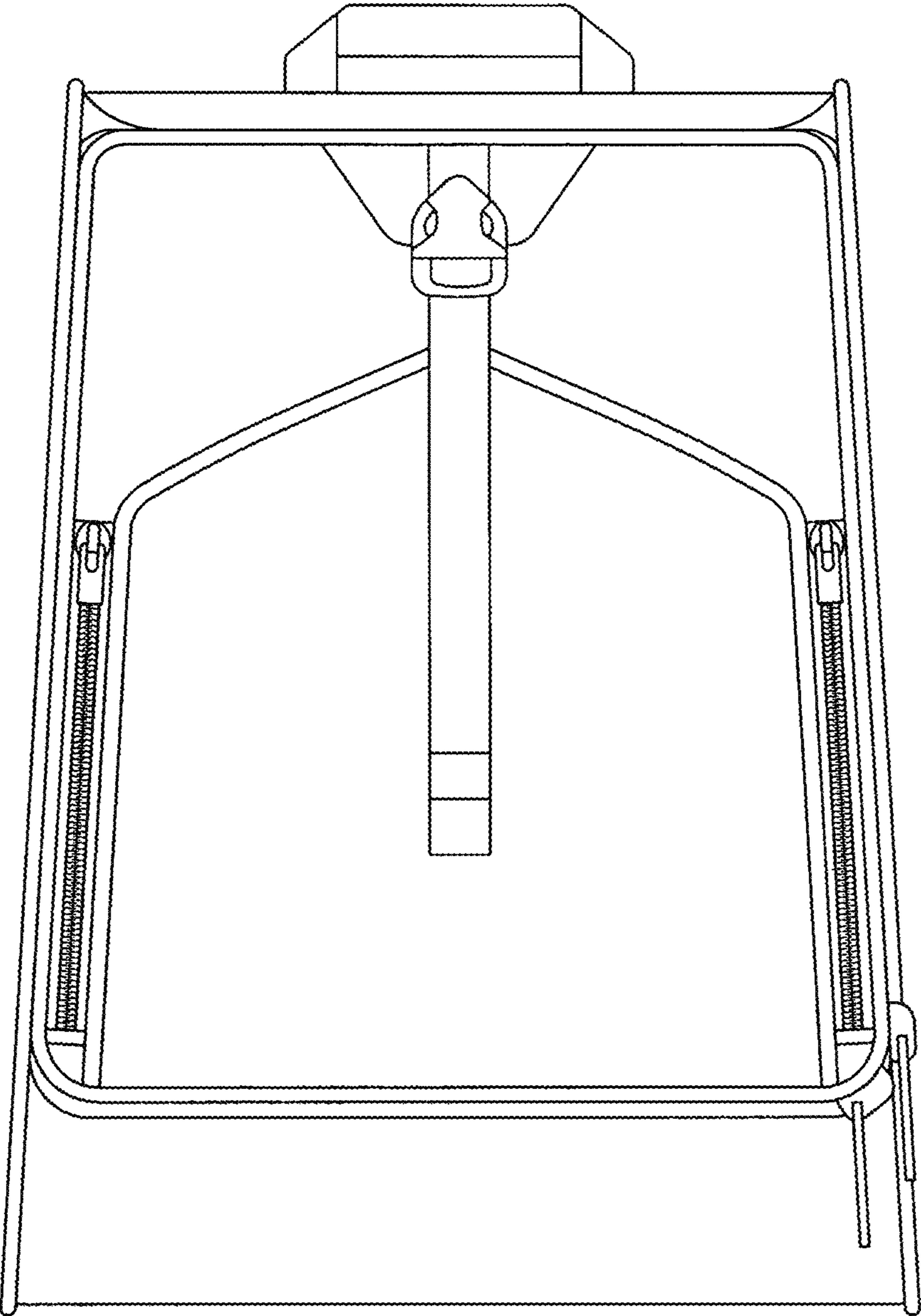


FIG.2

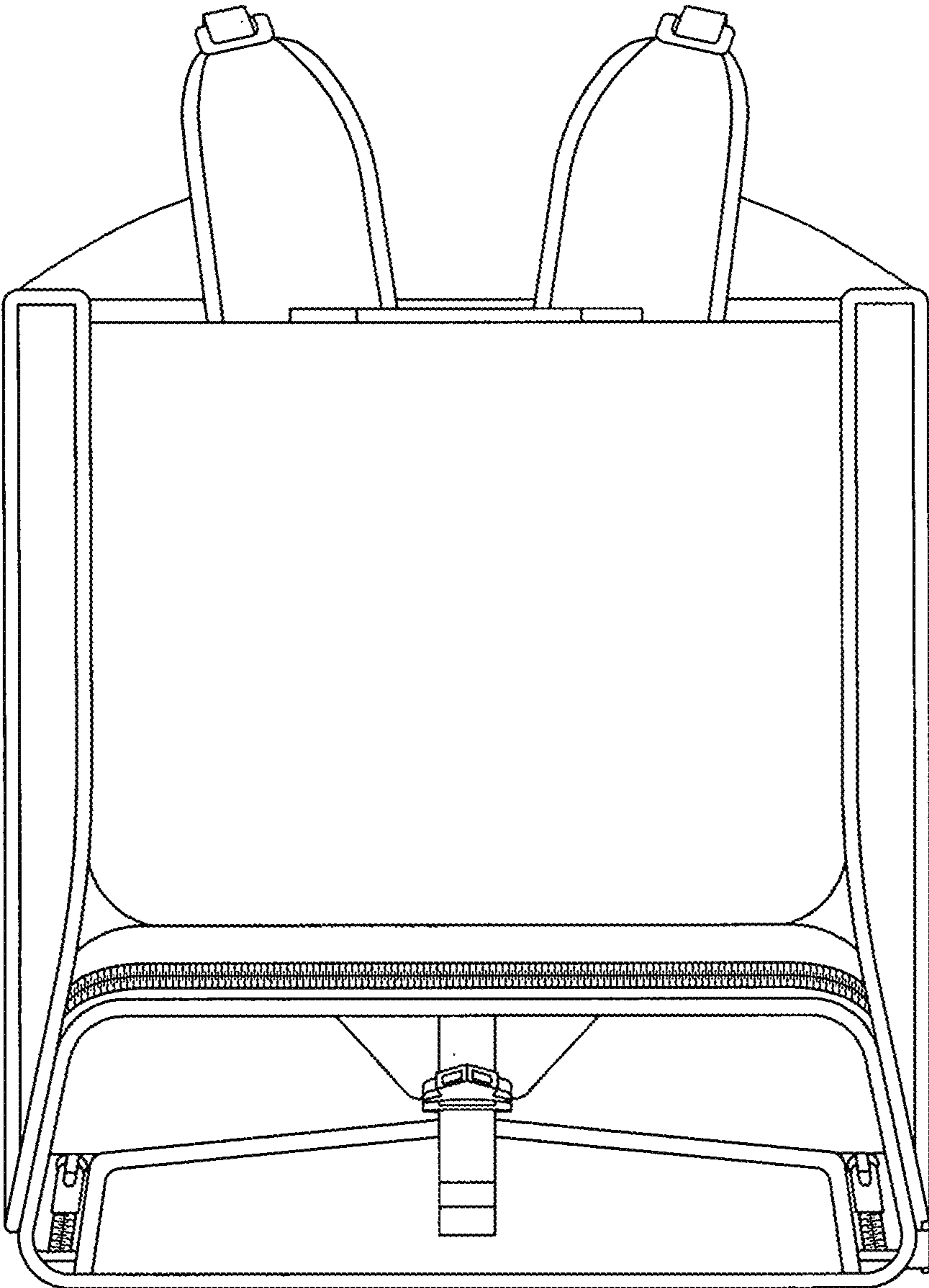


FIG.3

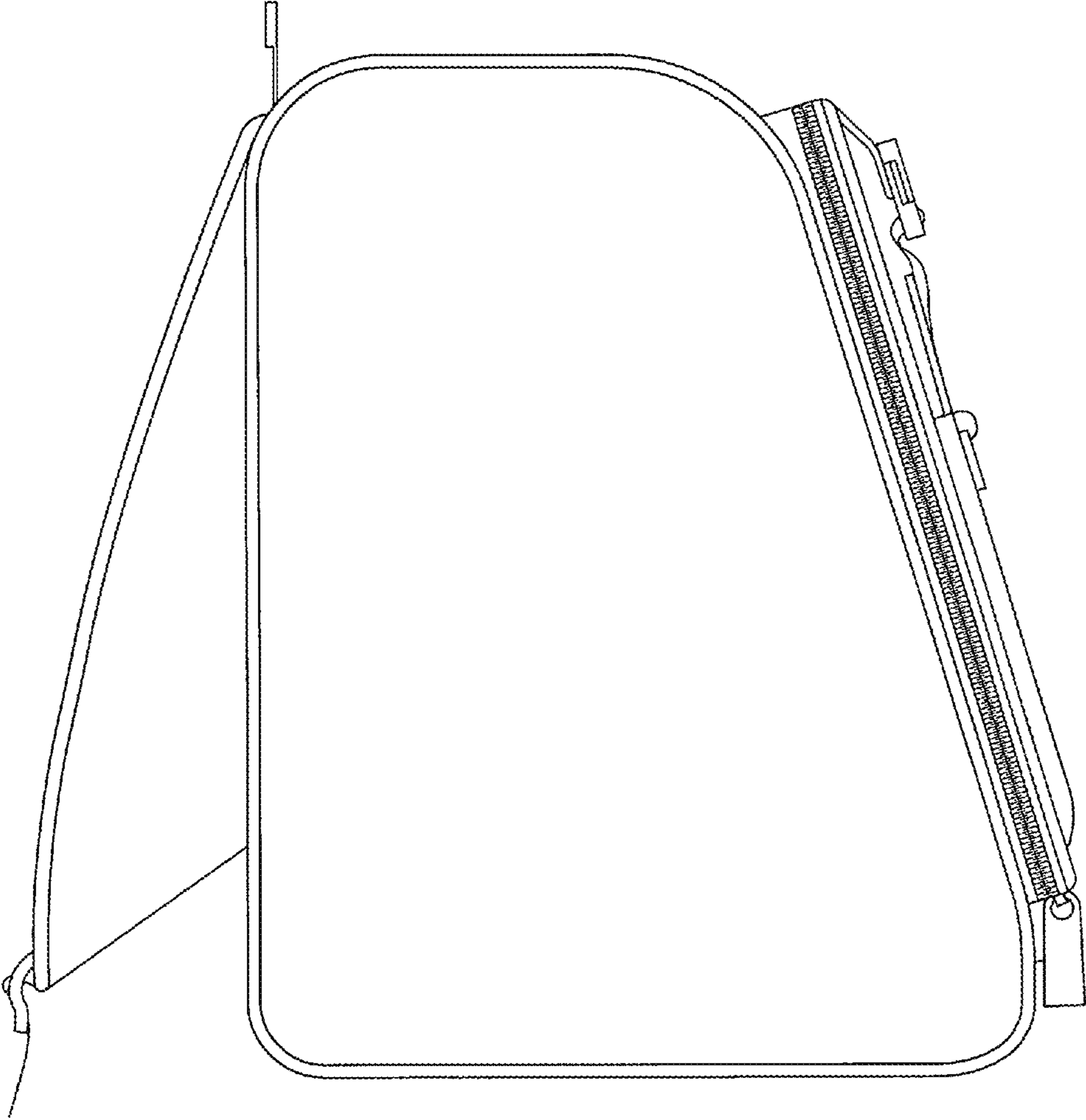


FIG.4

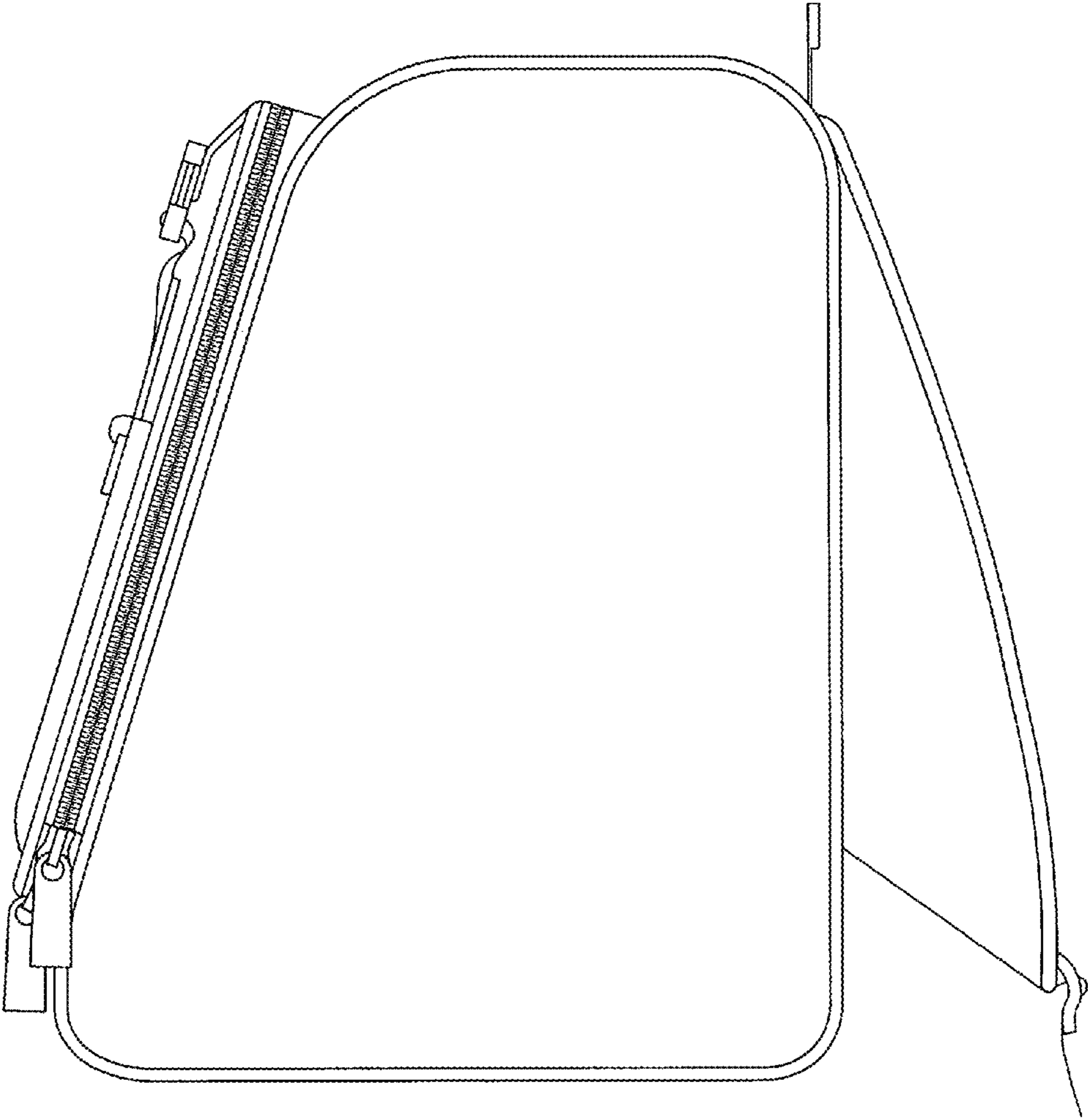


FIG.5

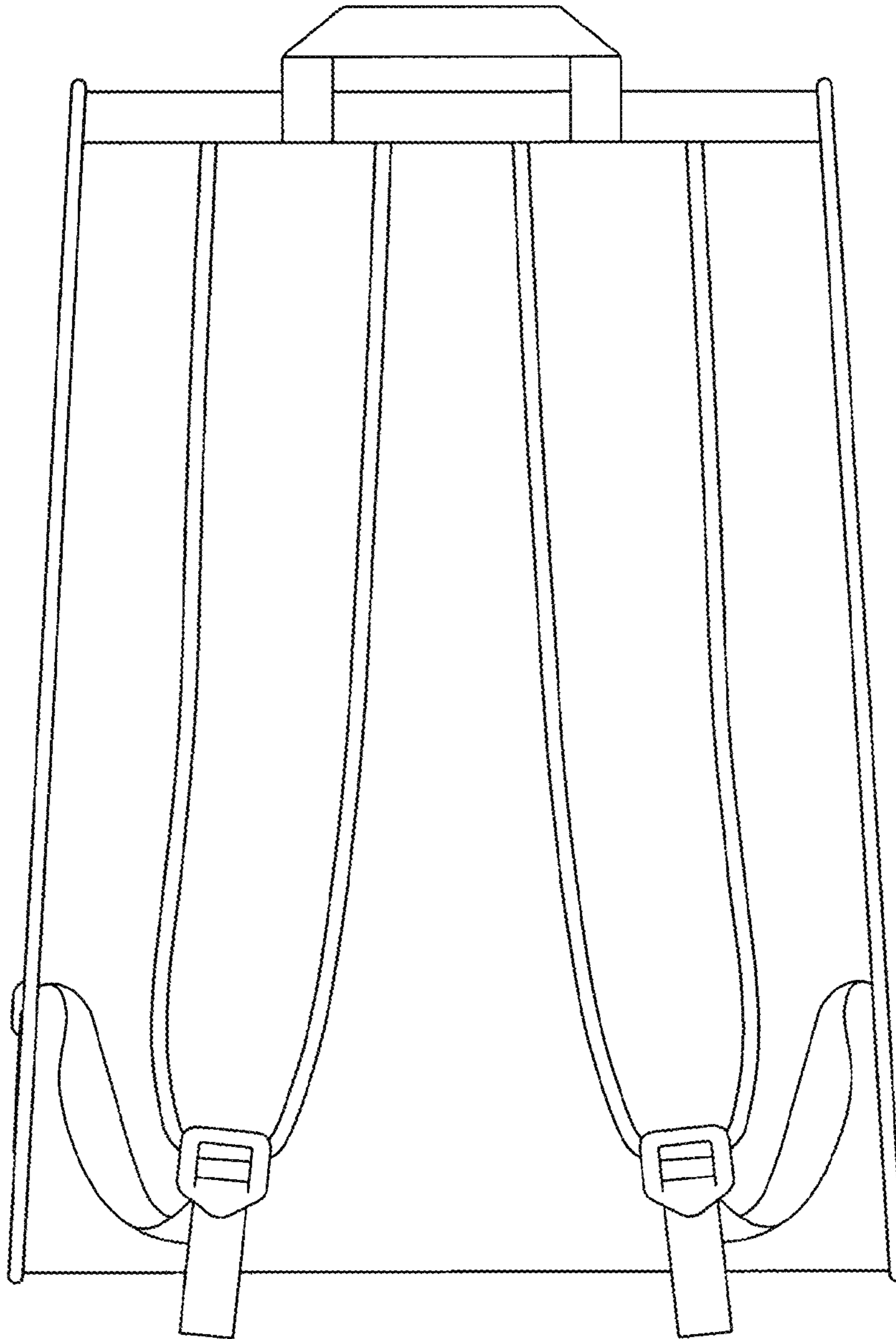


FIG. 6

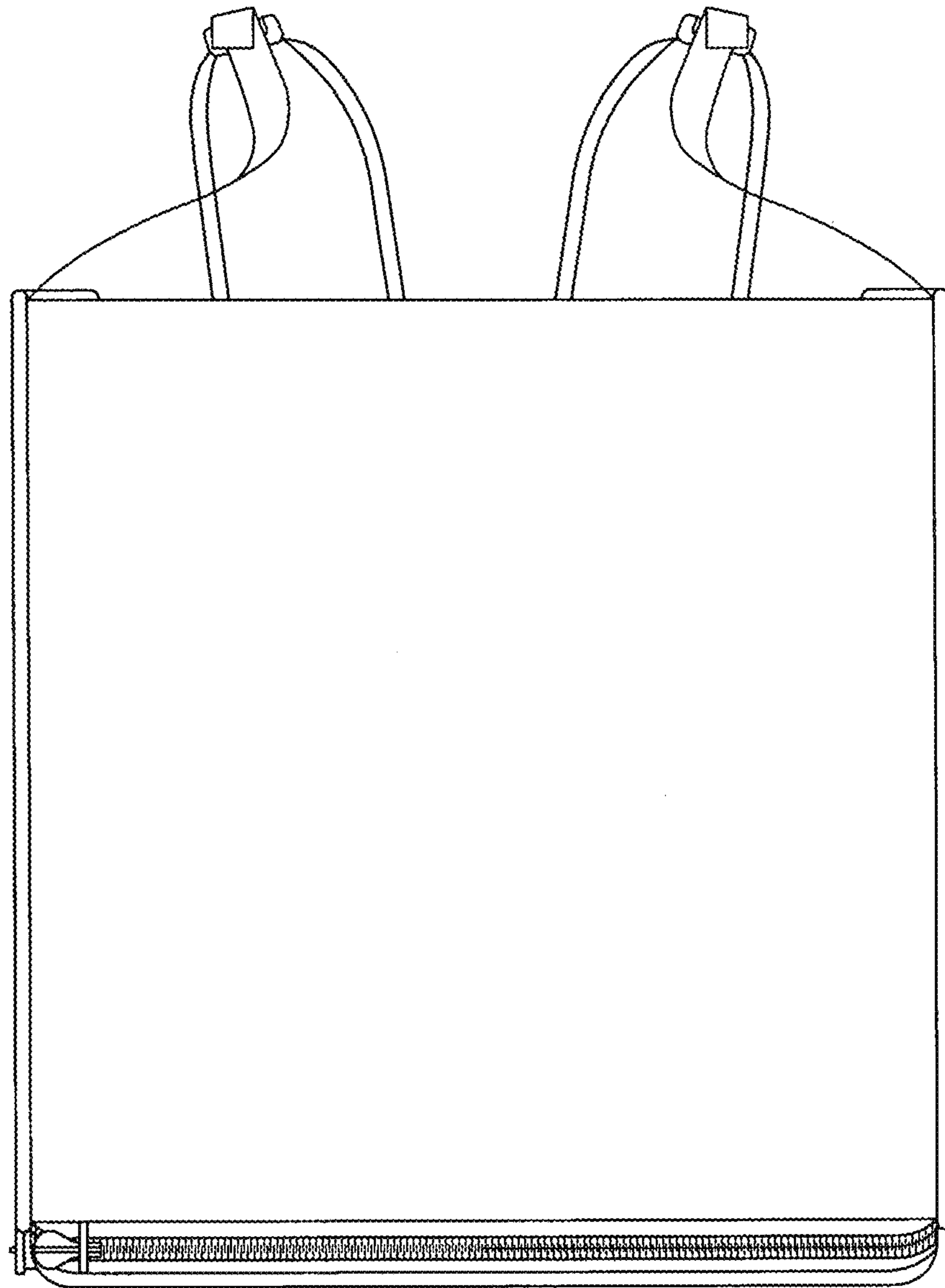


FIG.7