



US00D762058S

(12) **United States Design Patent**
Moore

(10) **Patent No.:** **US D762,058 S**
(45) **Date of Patent:** **** Jul. 26, 2016**

- (54) **TOURNIQUET HOLSTER**
- (71) Applicant: **Terence Moore**, Pearland, TX (US)
- (72) Inventor: **Terence Moore**, Pearland, TX (US)
- (**) Term: **14 Years**
- (21) Appl. No.: **29/514,684**
- (22) Filed: **Jan. 15, 2015**
- (51) **LOC (10) Cl.** **03-01**
- (52) **U.S. Cl.**
USPC **D3/215; D3/203.5**
- (58) **Field of Classification Search**
USPC D3/215, 218, 228–229, 203.1, 203.5;
224/240–241, 683, 219, 222, 267, 269,
224/624, 930, 932, 236; D24/168, 188;
606/203
CPC A45F 3/00; A45F 3/14; A45F 2003/006;
A45F 2005/00; A45F 5/00; A45F 5/021
See application file for complete search history.

- 6,412,674 B1 * 7/2002 Lipke A45F 5/00
224/235
- D467,069 S * 12/2002 TenHoeve D3/218
- D675,011 S * 1/2013 Stiefel D3/215
- D689,281 S 9/2013 Blundell
- 2010/0200627 A1 8/2010 Shen
- 2014/0027480 A1 1/2014 Heusen

* cited by examiner

Primary Examiner — Catheri Oliver-Garcia
(74) *Attorney, Agent, or Firm* — Kenneth A. Roddy

(57) **CLAIM**
The ornamental design for a tourniquet holster, as shown and described.

DESCRIPTION

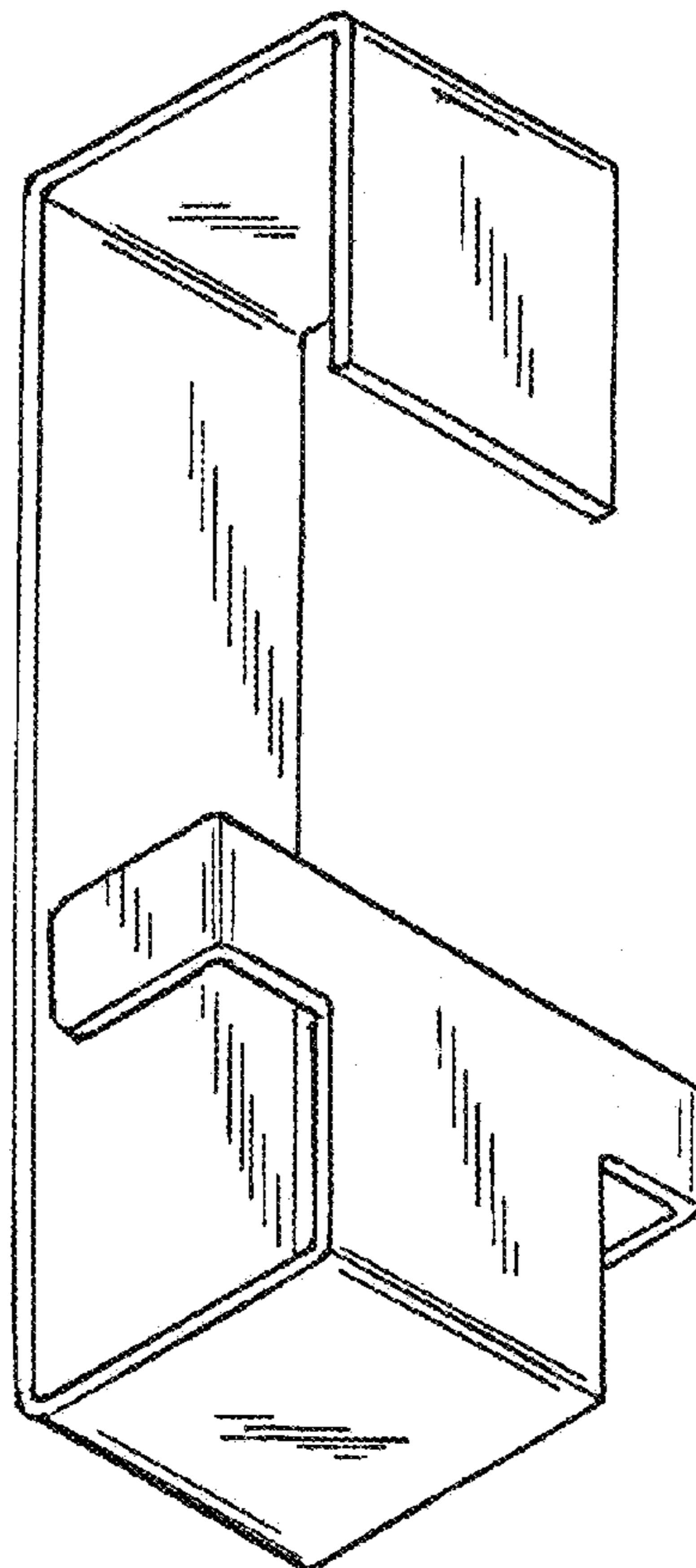
FIG. 1 is a perspective view a tourniquet holster showing my new design from the front, bottom, and left side;
FIG. 2 is a perspective view thereof showing my new design from the rear, top, and right side;
FIG. 3 is a front elevation view thereof;
FIG. 4 is a side elevation view thereof, the opposed side elevation view being a mirror image thereof;
FIG. 5 is a rear elevation view thereof;
FIG. 6 is a top plan view thereof; and,
FIG. 7 is a bottom plan view thereof.

(56) **References Cited**

U.S. PATENT DOCUMENTS

- D306,521 S * 3/1990 Kenney D3/215
- D395,545 S * 6/1998 Crim, Jr. D3/218

1 Claim, 2 Drawing Sheets



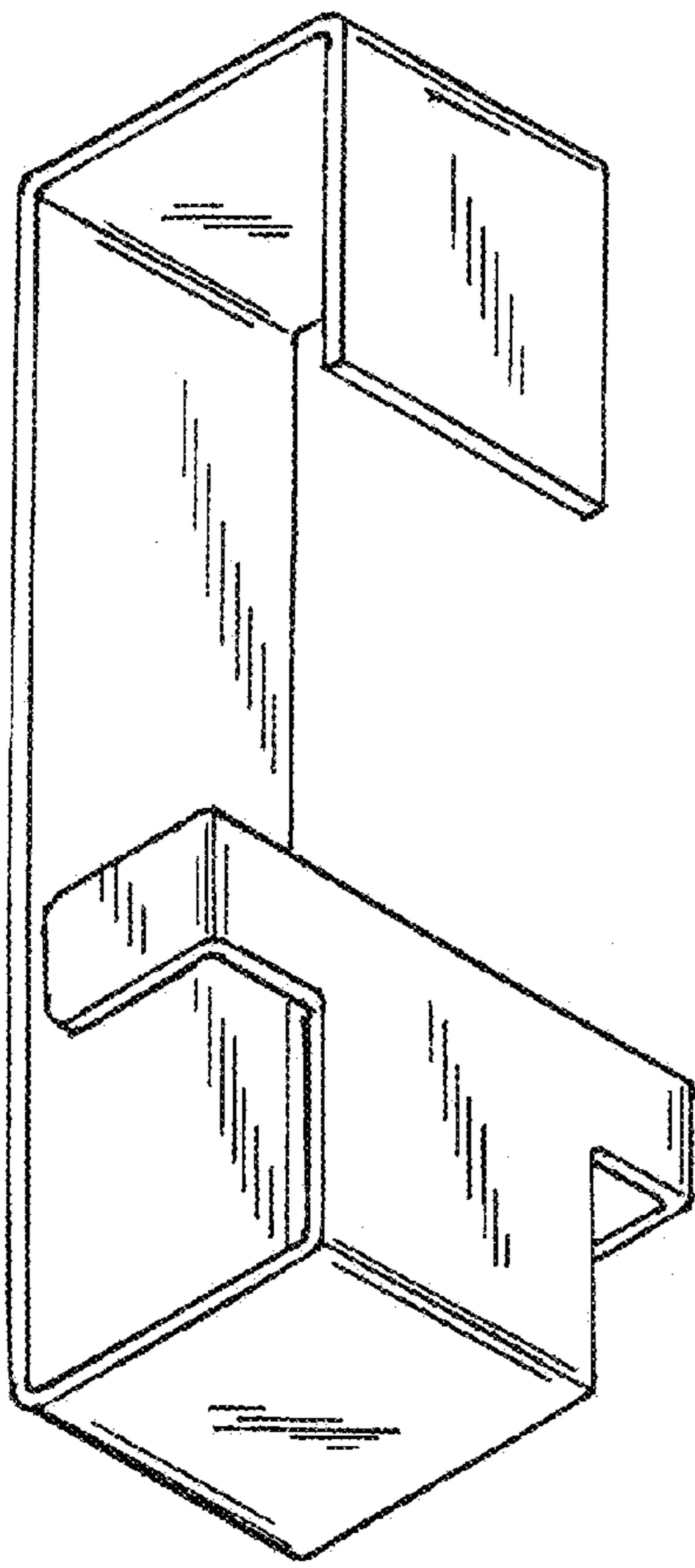


Fig. 1

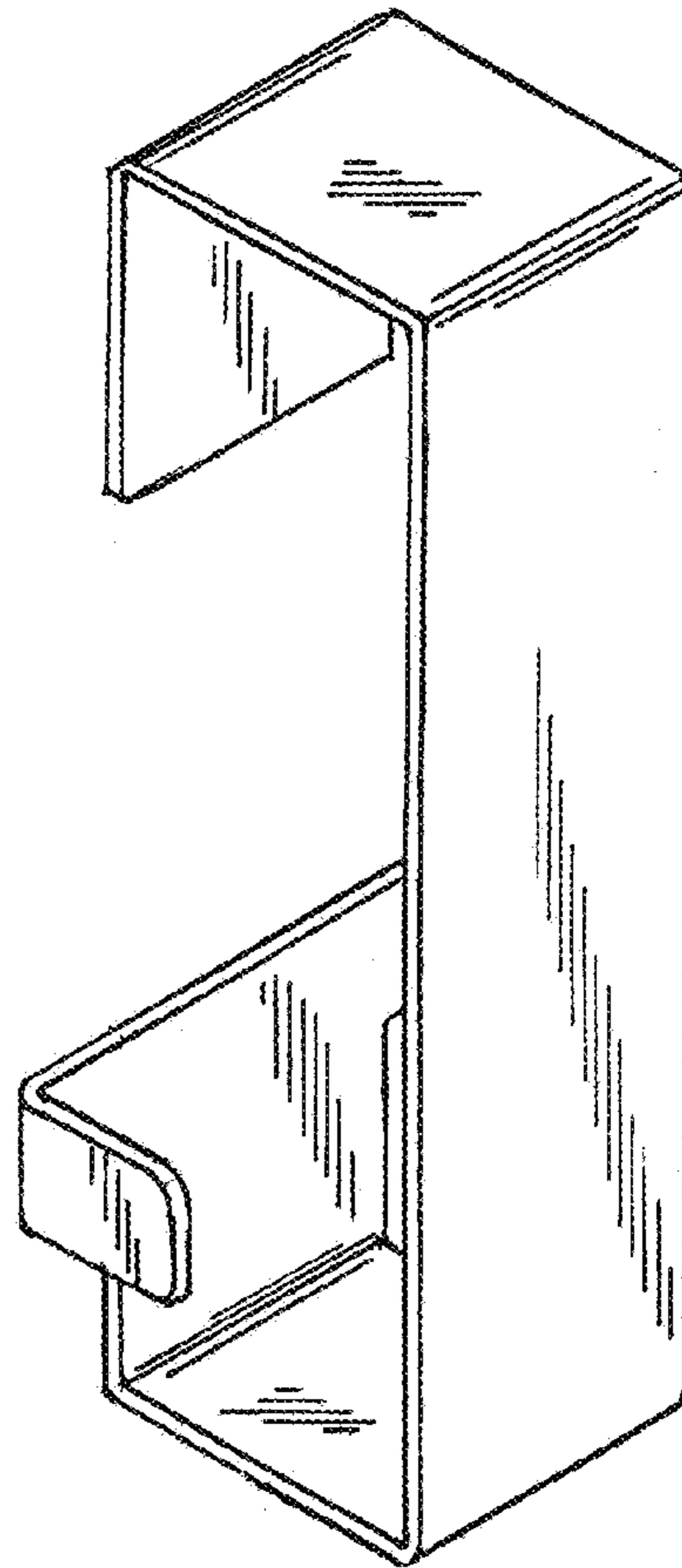


Fig. 2

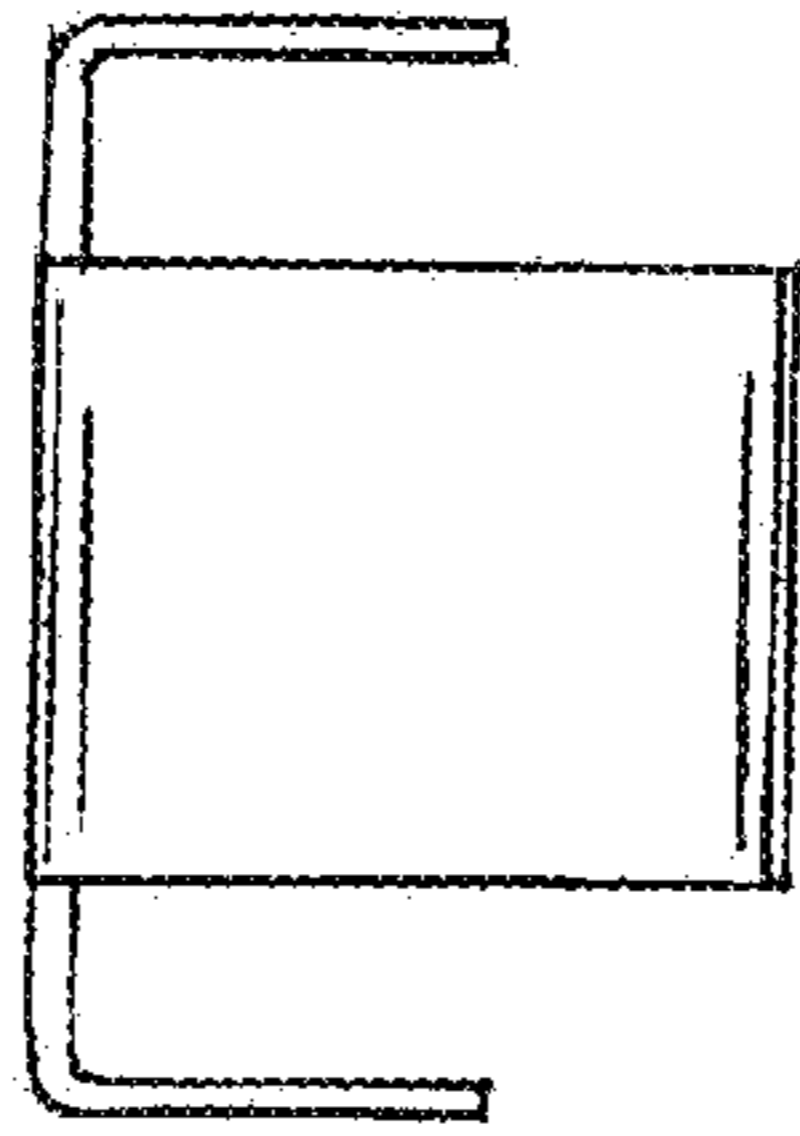


Fig. 6

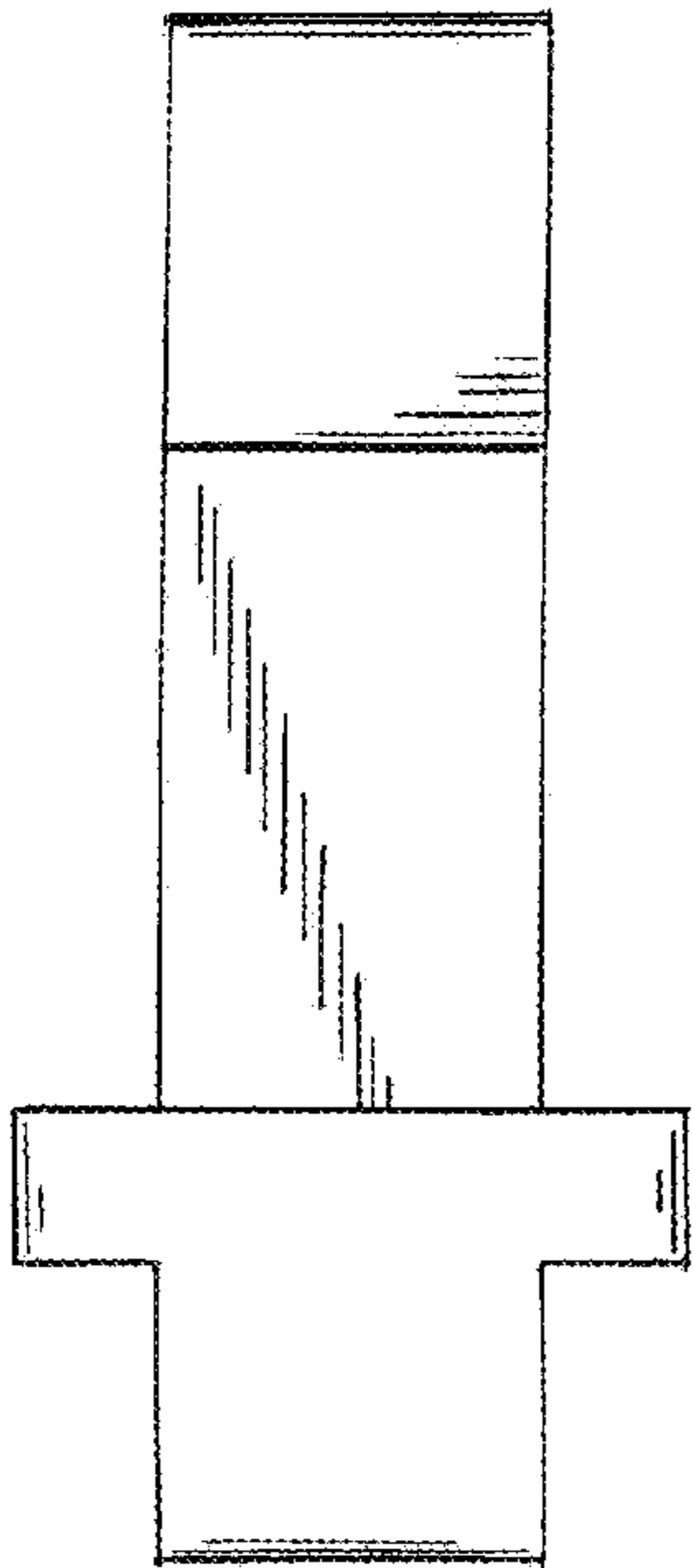


Fig. 3

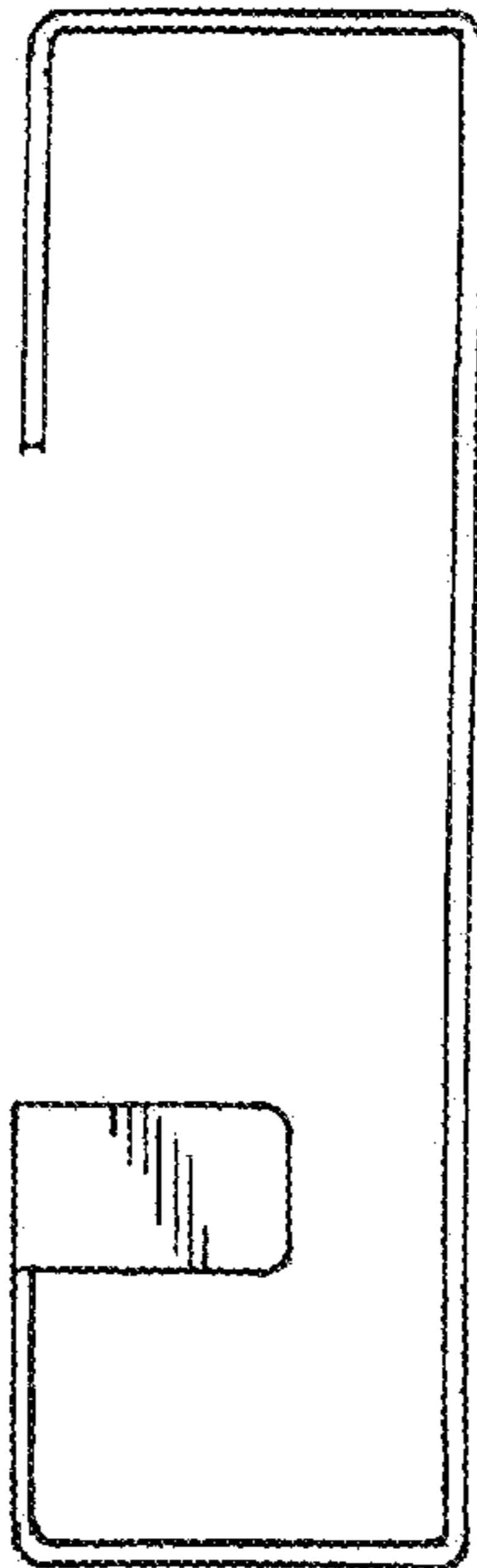


Fig. 4

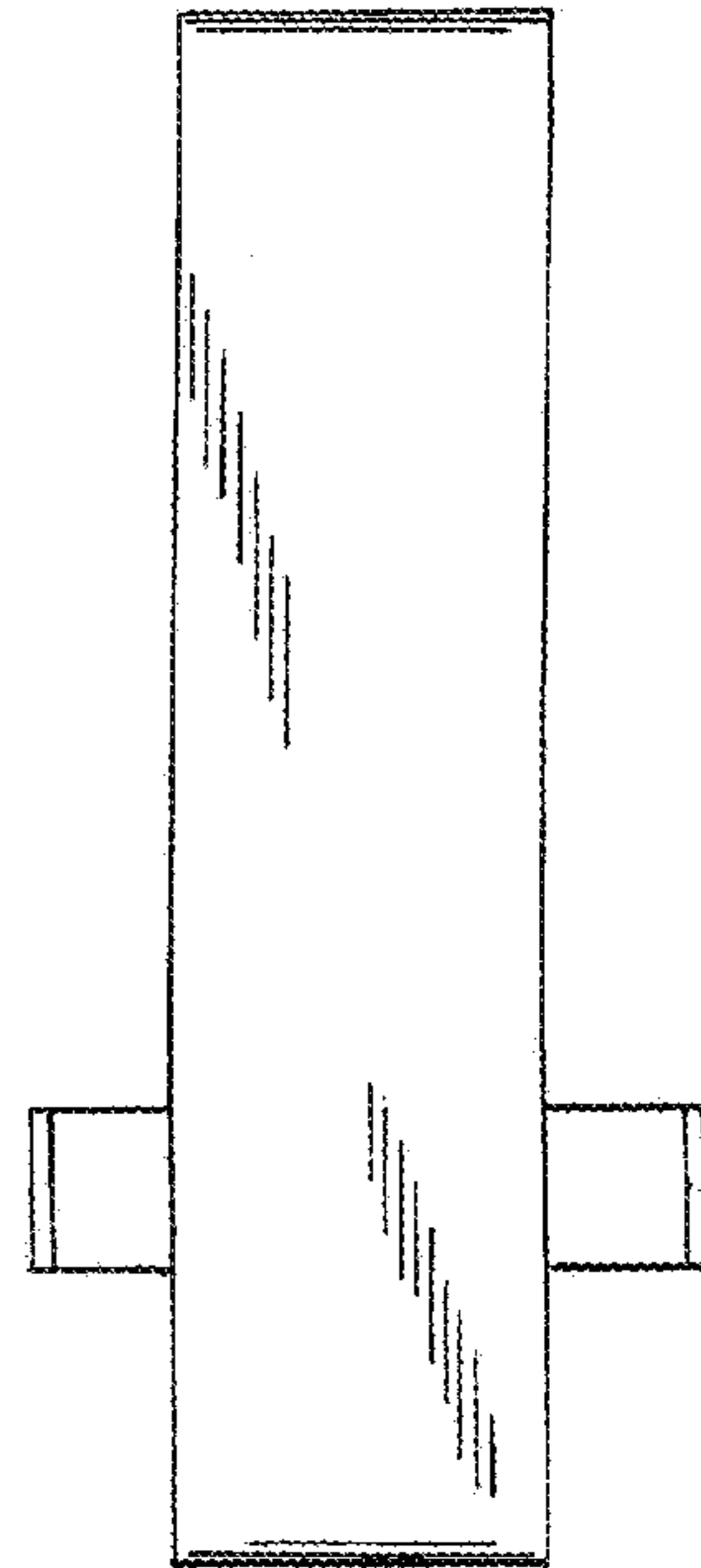


Fig. 5

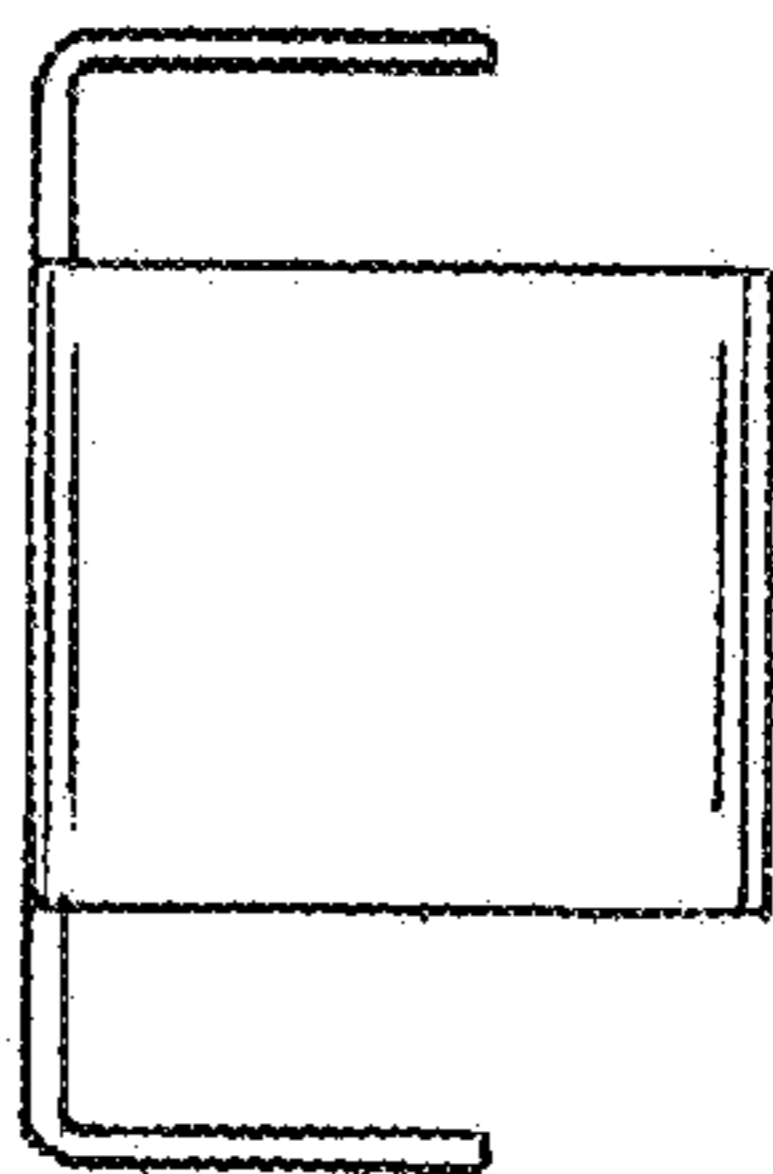


Fig. 7