



US00D762054S

(12) **United States Design Patent**
Todd

(10) **Patent No.:** **US D762,054 S**
(45) **Date of Patent:** **** Jul. 26, 2016**

(54) **FOOTWEAR UPPER**

(71) Applicant: **Deckers Outdoor Corporation**, Goleta,
CA (US)

(72) Inventor: **Agnete S. Todd**, Ventura, CA (US)

(73) Assignee: **Deckers Outdoor Corporation**, Goleta,
CA (US)

(**) Term: **14 Years**

(21) Appl. No.: **29/517,106**

(22) Filed: **Feb. 10, 2015**

(51) **LOC (10) Cl.** **02-04**

(52) **U.S. Cl.**
USPC **D2/970; D2/910**

(58) **Field of Classification Search**
USPC D2/896, 900, 909-911, 943, 946, 969,
D2/970, 974; 36/83, 1.5, 2 R, 109, 3 A,
36/7.1 R, 45, 52, 112, 100, 136
CPC A41D 17/00; A41D 17/02; A41D 5/00;
A43B 3/16; A43B 23/25; A43B 23/24;
A43B 23/00
See application file for complete search history.

(56) **References Cited**

U.S. PATENT DOCUMENTS

D21,954 S	*	11/1892	Richardson	D2/910
D76,233 S	*	9/1928	Golden	D2/900
D400,342 S	*	11/1998	Davidowitz	D2/909
D410,322 S	*	6/1999	Davidowitz	D2/910
D439,030 S	*	3/2001	Bernath	D2/900
D599,999 S		9/2009	MacIntyre		
D616,189 S		5/2010	MacIntyre		
D616,190 S		5/2010	MacIntyre		
D636,576 S		4/2011	MacIntyre		

D646,475 S	*	10/2011	Boncutter	D2/912
D648,928 S	*	11/2011	Flenley	D2/910
D704,425 S		5/2014	MacIntyre		
D706,024 S		6/2014	Ng		
D708,832 S		7/2014	Roldan		

OTHER PUBLICATIONS

Ugg Australia Josette model, www.uggaustralia.com https://web.archive.org/web/20131008134615/http://www.uggaustralia.com/women-boots/josette/1003174.html?dwvar_1003174_color=PRVL Oct. 8, 2013.

(Continued)

Primary Examiner — Ian Simmons

Assistant Examiner — Rashida C Walshon

(74) *Attorney, Agent, or Firm* — Greer, Burns & Crain, Ltd.

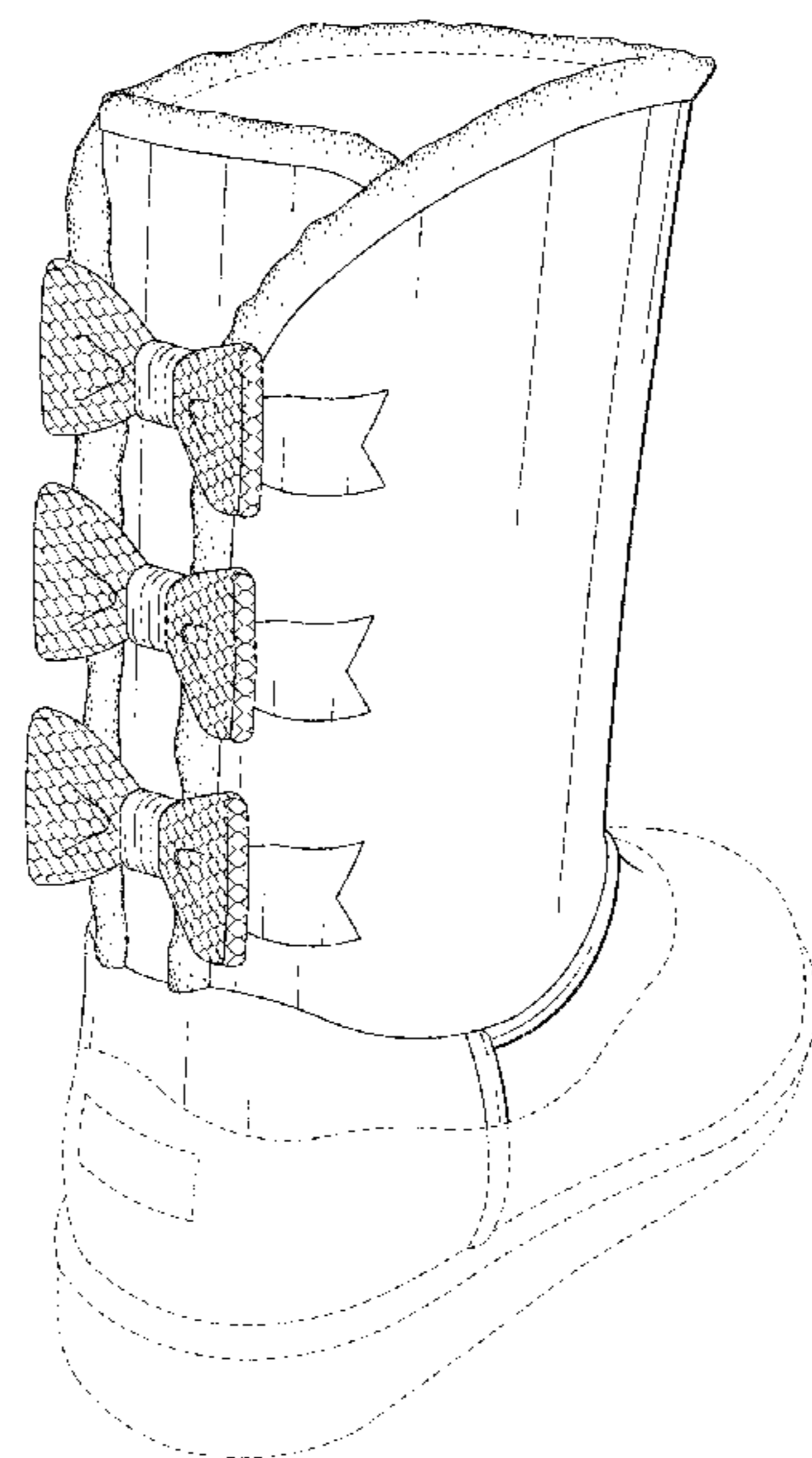
(57) **CLAIM**

The ornamental design for a footwear upper, as shown and described.

DESCRIPTION

FIG. 1 is a rear perspective view of a footwear upper showing my new design;
FIG. 2 is a side elevational view thereof;
FIG. 3 is an opposite side elevational view thereof;
FIG. 4 is a front elevational view thereof;
FIG. 5 is a rear elevational view thereof;
FIG. 6 is a top plan view thereof; and,
FIG. 7 is a bottom plan view thereof.
The broken lines in FIGS. 1-7 represent portions of the footwear that form no part of the claimed design. The broken lines which define the bounds of the claimed design form no part thereof.

1 Claim, 5 Drawing Sheets



(56)

References Cited

OTHER PUBLICATIONS

Ugg Australia Bailey Button model, www.uggaustralia.com https://web.archive.org/web/20120909185522/http://www.uggaustralia.com/womens-bailey-button-boots/5803,default.pd.html?dwvar_5803_color=AUB&start=7&cgid=women-boots-classic Sep. 9, 2012.

Ugg Australia Mini Bailey Button model, www.uggaustralia.com, <https://web.archive.org/web/20121016124321/http://www.uggaustralia.com/womens-mini-bailey-button-boots/3352,default.pd.html>; Oct. 16, 2012, see images.

Ugg Australia Bailey Bow model, www.uggaustralia.com, <https://web.archive.org/web/20121002051839/http://www.uggaustralia.com/womens-bailey-bow-sheepskin-boot/1002954,default.pd.html>; Oct. 2, 2012, see images.

Ugg Australia Bailey Bow Tall model, www.uggaustralia.com, <https://web.archive.org/web/20121015074327/http://www.uggaustralia.com/womens-bailey-bow-tall/3388,default.pd.html>; Oct. 15, 2012, see images.

* cited by examiner

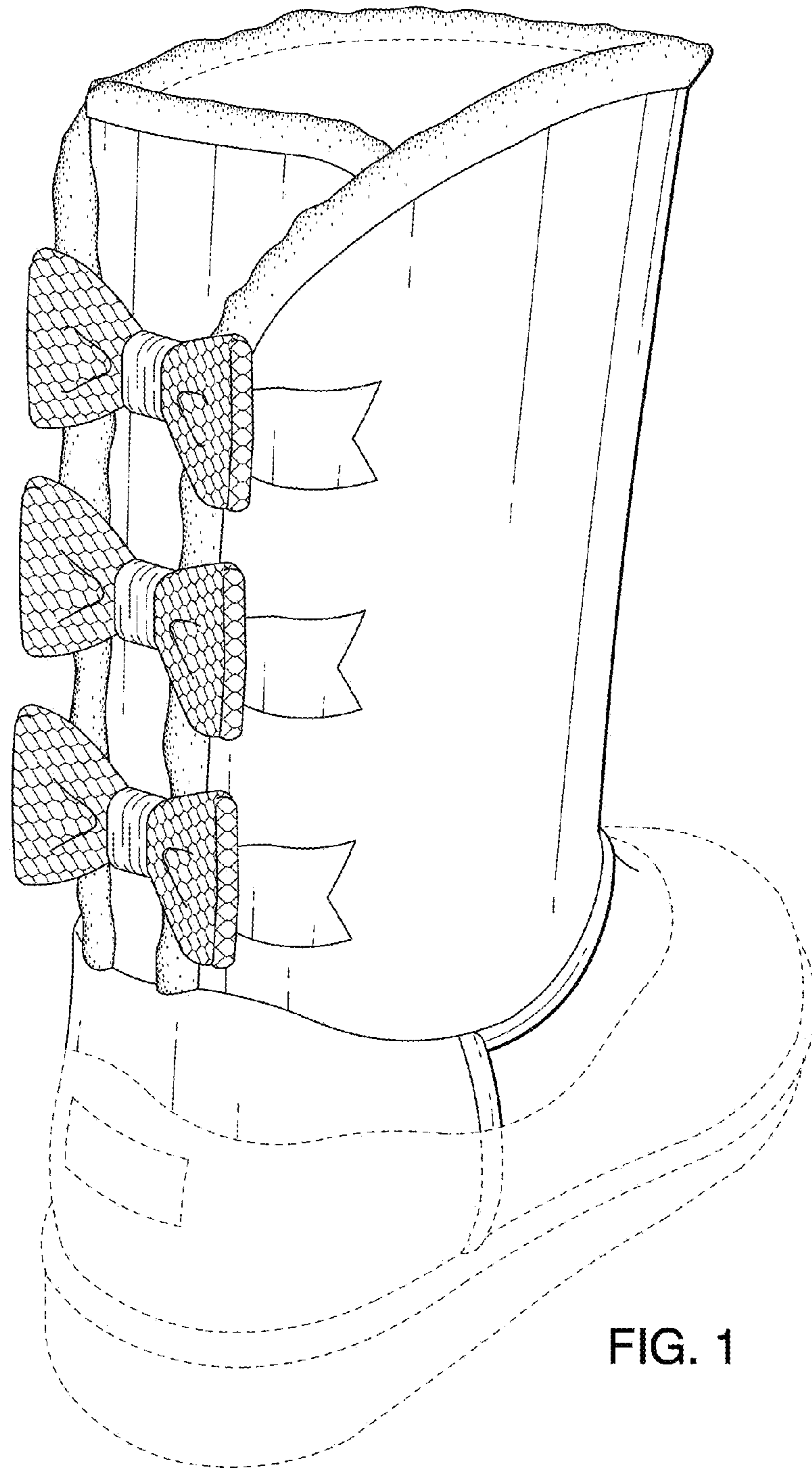


FIG. 1

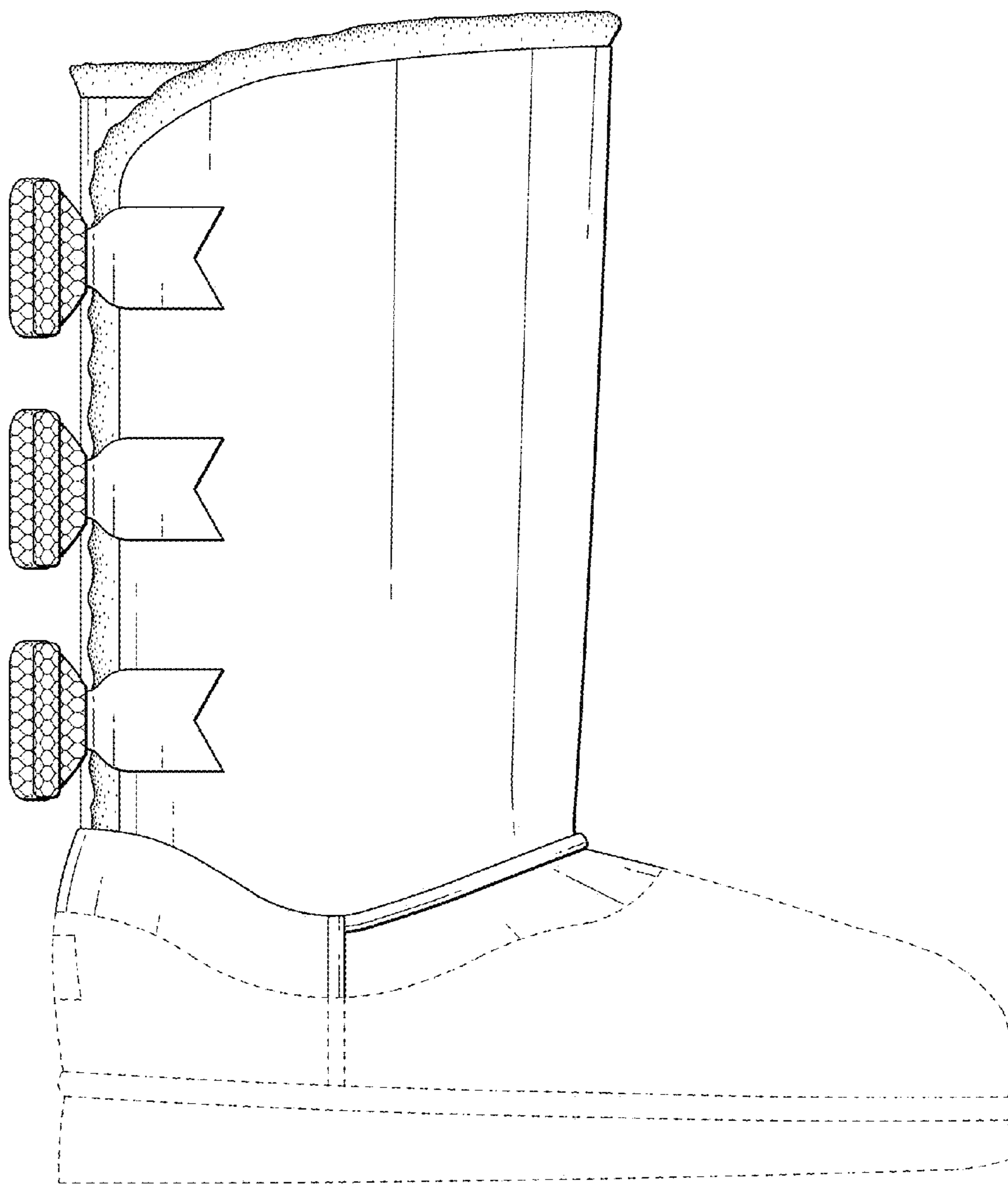


FIG. 2

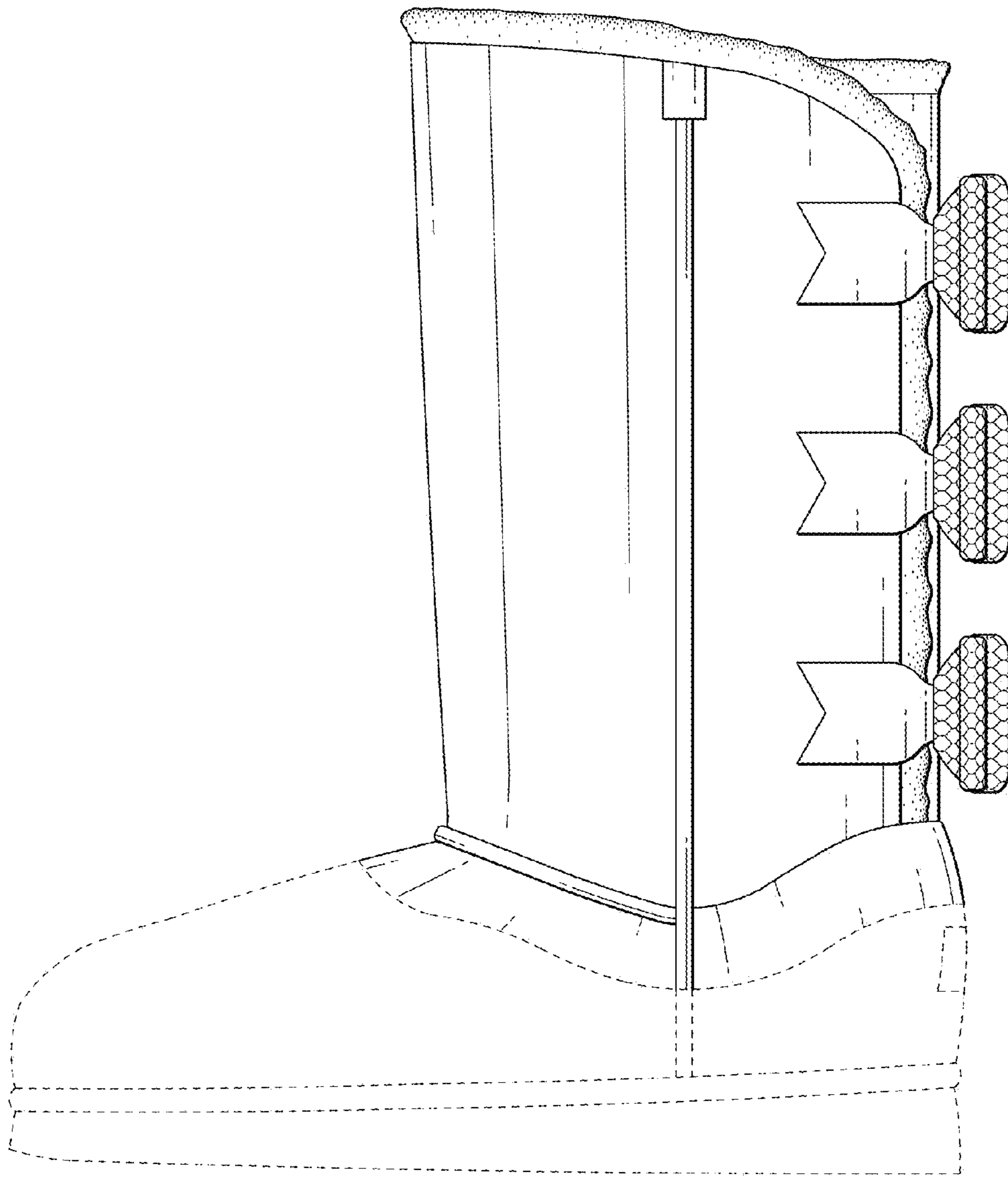


FIG. 3

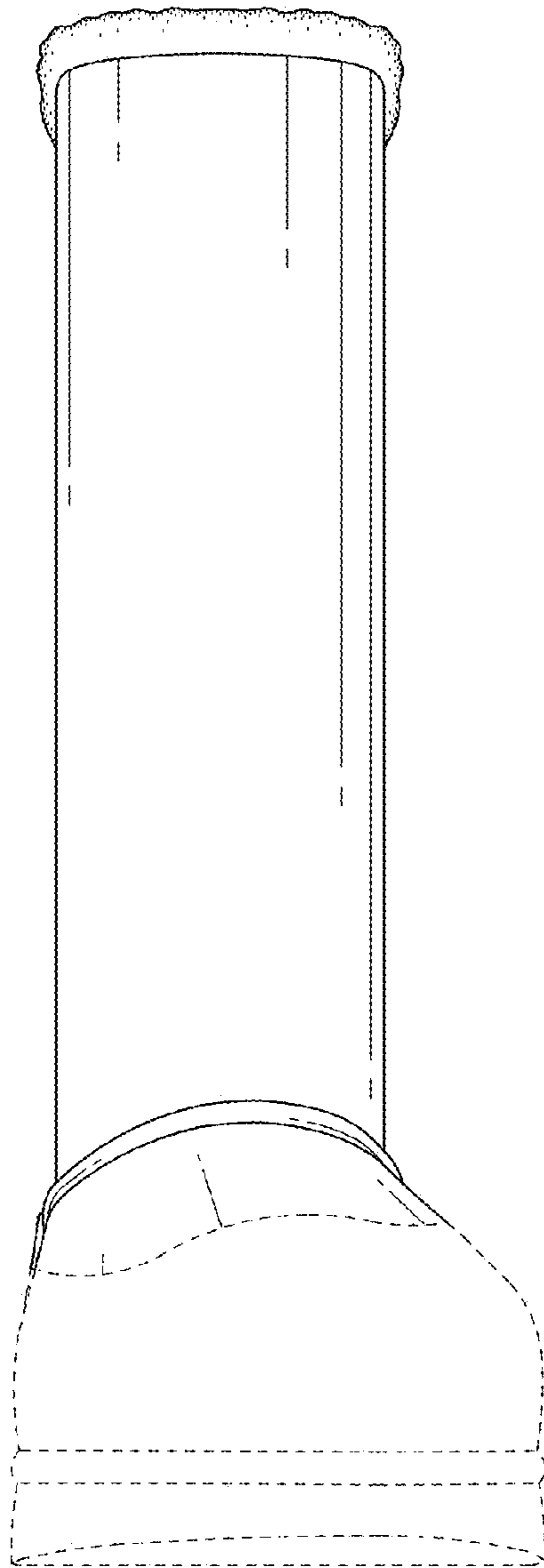


FIG. 4

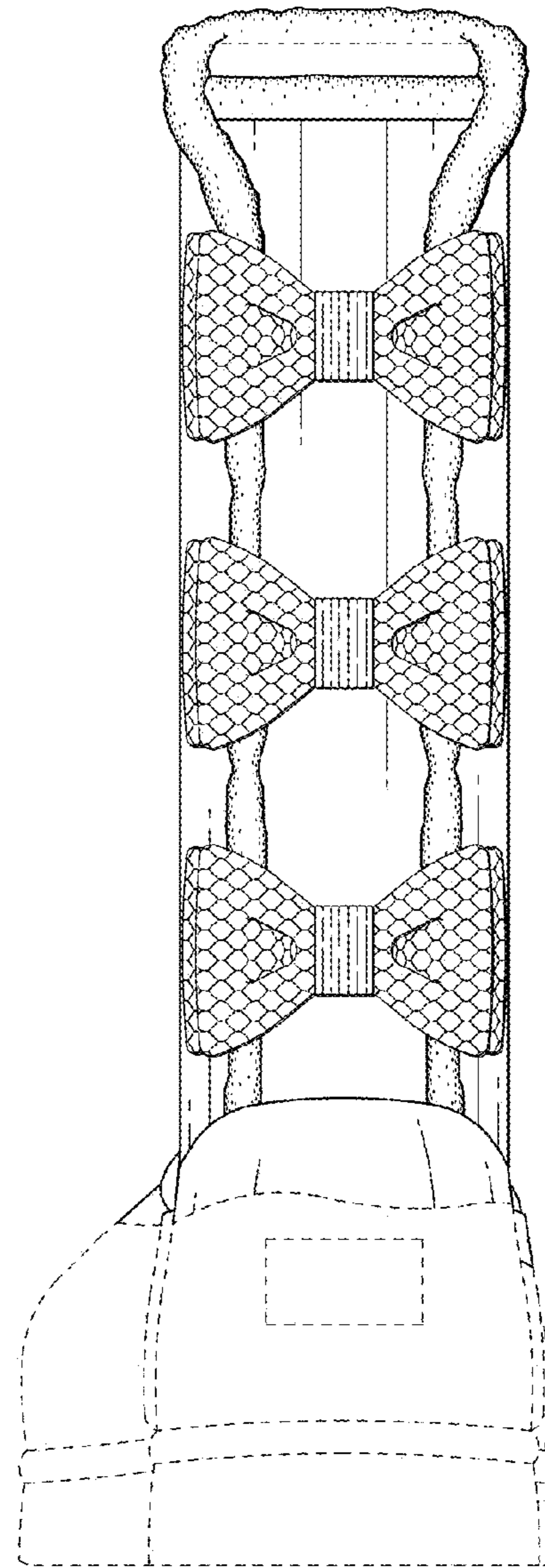


FIG. 5

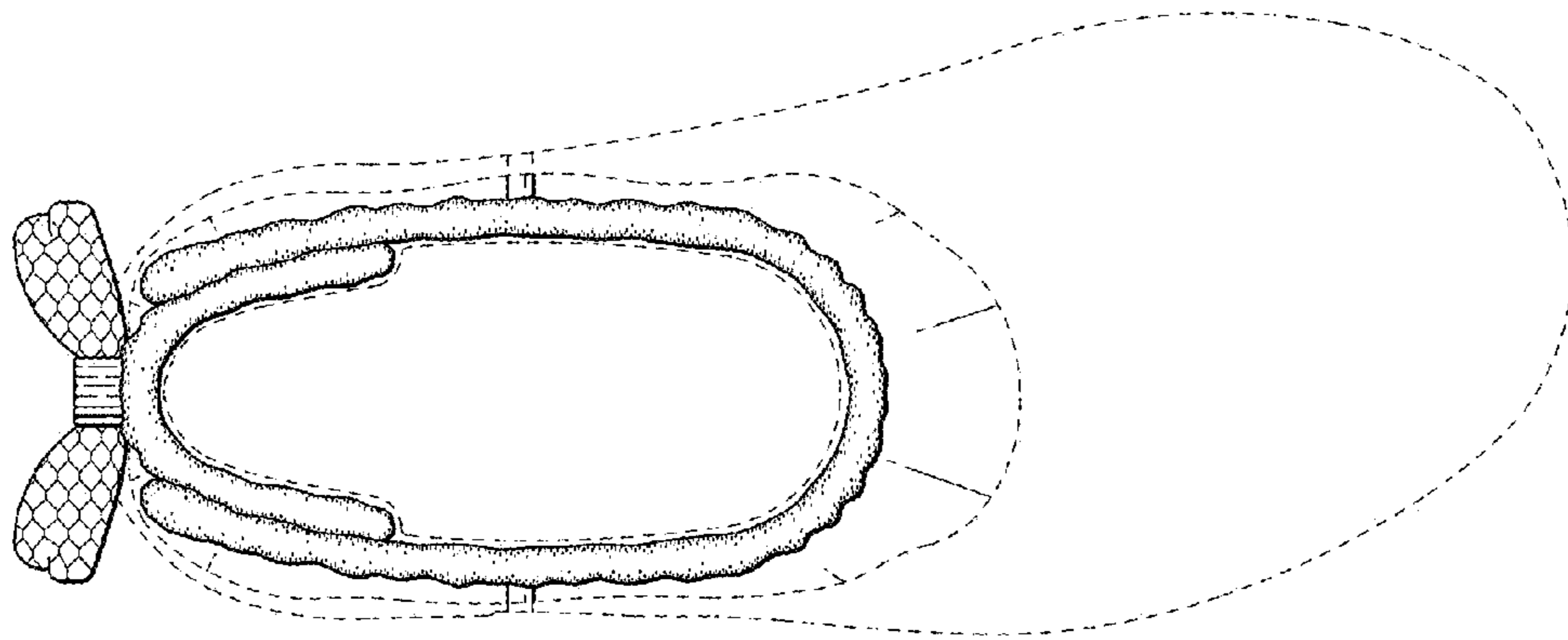


FIG. 6

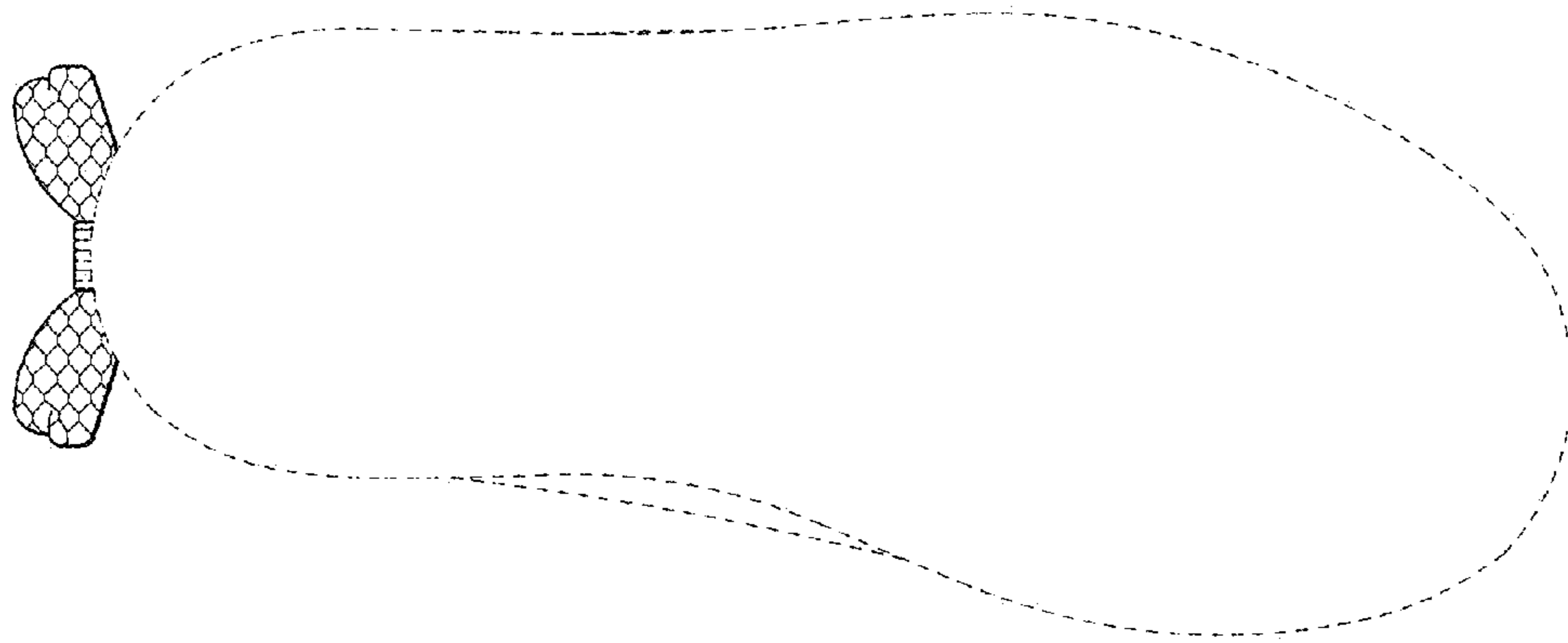


FIG. 7