



US00D762048S

(12) **United States Design Patent**
Lomax

(10) **Patent No.:** **US D762,048 S**
(45) **Date of Patent:** **** Jul. 26, 2016**

(54) **GARMENT**
(71) Applicant: **NIKE, Inc.**, Beaverton, OR (US)
(72) Inventor: **Jessica Lomax**, London (GB)
(73) Assignee: **NIKE, Inc.**, Beaverton, OR (US)
(**) Term: **14 Years**

(21) Appl. No.: **29/525,803**
(22) Filed: **May 3, 2015**
(51) **LOC (10) Cl.** **02-02**
(52) **U.S. Cl.**
USPC **D2/829**
(58) **Field of Classification Search**
USPC D2/829, 831, 828, 830, 839, 840;
2/205, 84, 69.5, 108, 93, 96, 97, 905,
2/456, 70, 69; 428/17
CPC A41D 3/00; A41D 15/04; A41D 27/10;
A41D 27/04; A41D 13/001; A41D 13/0012;
A41D 27/20; F41H 3/00; H04R 5/02; A41F
5/00; A42B 1/048
See application file for complete search history.

(56) **References Cited**

U.S. PATENT DOCUMENTS

D86,519 S 3/1932 Graber
D102,656 S 1/1937 Saldin
D189,233 S * 11/1960 Gardner 2/205
3,147,490 A * 9/1964 Allen A41D 3/00
2/84
D243,723 S * 3/1977 Schaefer D2/829
D338,773 S * 8/1993 Wilde D2/831
D384,189 S * 9/1997 Tobias D2/828
D385,088 S * 10/1997 Handysides D2/828
5,815,833 A * 10/1998 Kuo A41D 15/04
2/69.5
6,119,270 A * 9/2000 Chou A41D 3/00
2/108
D479,902 S * 9/2003 Brown D2/831
D527,868 S * 9/2006 Wager D2/828
D529,687 S * 10/2006 Rindle D2/828
D553,329 S 10/2007 Wager
D553,330 S 10/2007 Wager

D612,130 S 3/2010 Hall et al.
7,684,755 B2 * 3/2010 Pierce H04R 5/02
2/905
D621,132 S * 8/2010 Crisp D2/831
D622,937 S * 9/2010 Bay D2/830
D626,725 S * 11/2010 Snyder D2/830
D633,692 S 3/2011 Lawrence et al.

(Continued)

FOREIGN PATENT DOCUMENTS

JP D1203602 * 4/2004
JP D1220383 * 10/2004

OTHER PUBLICATIONS

Kicksaddict Nike Silver Speed Super Bowl XLVIII Collection, Announced Jan. 9, 2014, [Site Visited Feb. 6, 2016] <http://kicksaddict.com/2014/01/09/nike-silver-speed-super-bowl-xlviii-collection/>.*

(Continued)

Primary Examiner — John Windmuller
Assistant Examiner — Luqman McNeil
(74) *Attorney, Agent, or Firm* — Banner & Witcoff, Ltd.

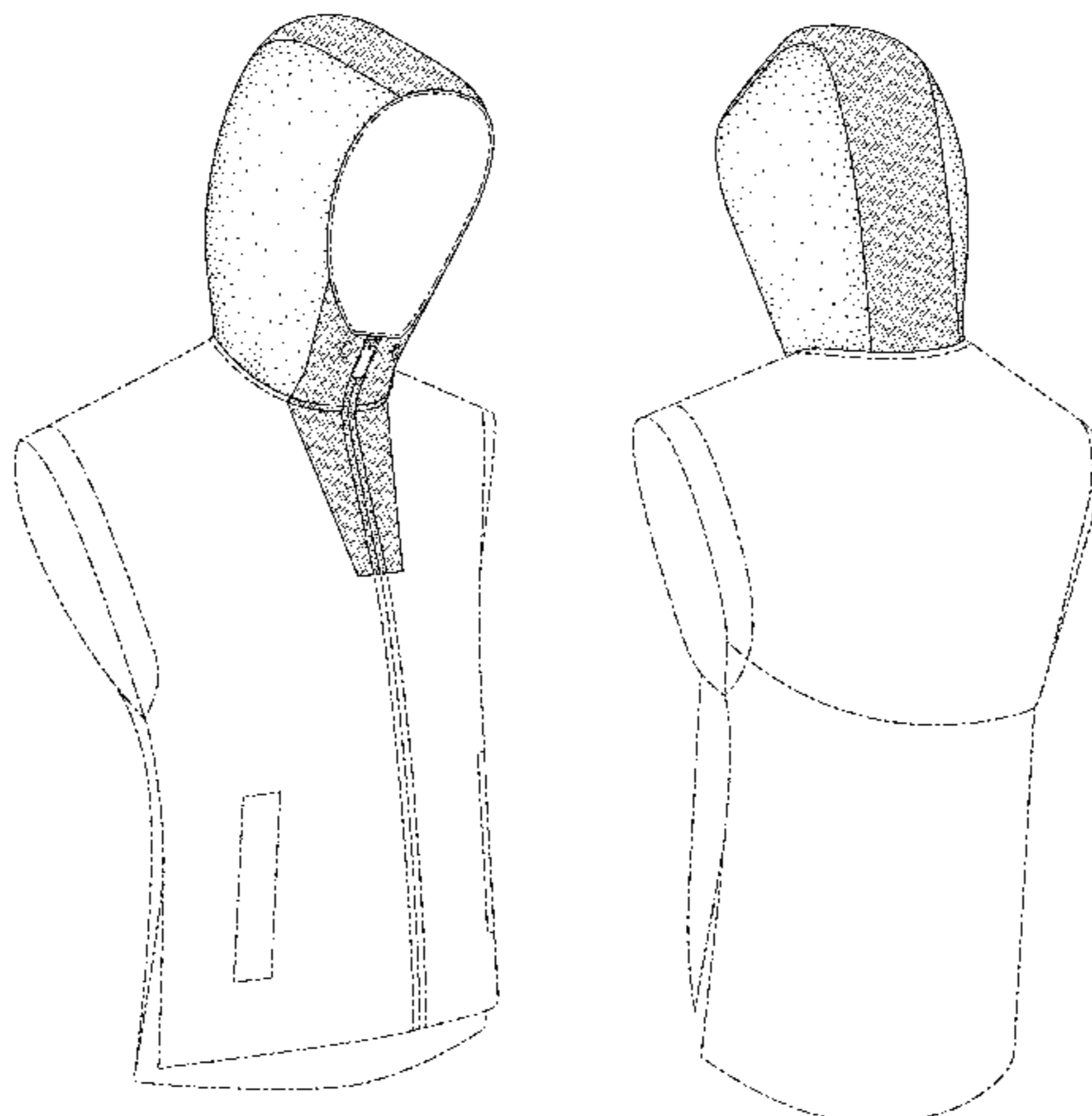
(57) **CLAIM**

The ornamental design for a garment, as shown and described.

DESCRIPTION

FIG. 1 is a front perspective view of a garment showing my new design in an in-use configuration;
FIG. 2 is a rear perspective view thereof;
FIG. 3 is a front view thereof;
FIG. 4 is a rear view thereof;
FIG. 5 is a side view thereof;
FIG. 6 is a second side view thereof;
FIG. 7 is a top view thereof; and,
FIG. 8 is a bottom view thereof.
The unshaded regions, demarcated by broken lines, represent unclaimed portions of the garment and form no part of the claimed design.

1 Claim, 7 Drawing Sheets



(56)

References Cited

U.S. PATENT DOCUMENTS

D635,332 S 4/2011 DeRobertis
 D638,201 S * 5/2011 Gosse D2/831
 D638,202 S * 5/2011 Gosse D2/831
 D654,664 S * 2/2012 Evans D2/839
 D662,282 S * 6/2012 Meunier-Bouchard D2/828
 D662,284 S * 6/2012 Lam D2/831
 D665,152 S * 8/2012 Morales D2/840
 D685,160 S * 7/2013 Savage D2/831
 D693,990 S * 11/2013 Farron D2/839
 D695,495 S 12/2013 Astacio et al.
 D703,922 S * 5/2014 Roberts D2/829
 D704,924 S * 5/2014 Roberts D2/831
 D713,620 S * 9/2014 Pezzimenti D2/828
 D714,525 S * 10/2014 Payne D2/828
 D716,022 S * 10/2014 Judge D2/831
 D719,722 S * 12/2014 Bublak D2/828
 D721,467 S 1/2015 Tref
 D728,199 S 5/2015 Barski
 2002/0142112 A1 * 10/2002 Tarrell F41H 3/00
 428/17
 2003/0051286 A1 * 3/2003 Gregg A41D 27/10
 2/93
 2004/0055069 A1 * 3/2004 Clarke Fayle A41D 3/00
 2/93

2004/0143884 A1 * 7/2004 Majerfeld A41D 27/04
 2/96
 2009/0249529 A1 * 10/2009 Rodriguez A41D 3/00
 2/97
 2011/0088135 A1 * 4/2011 Snyder A41D 15/04
 2/69.5
 2012/0005812 A1 * 1/2012 Corzatt A41D 13/001
 2/456
 2012/0204313 A1 * 8/2012 Evans A41F 5/00
 2/70
 2013/0019379 A1 * 1/2013 Shadid A41D 13/0012
 2/84
 2013/0042384 A1 * 2/2013 Mitchell A42B 1/048
 2/84
 2013/0219581 A1 * 8/2013 Schrimpf A41D 27/20
 2/69

OTHER PUBLICATIONS

For 3M Fanatics, Vapor Flash Jacket—p. 23—Nike Talk, Announced Dec. 9, 2014, [Site Visted Feb. 5, 2015]<http://kicksaddict.com/2014/01/09/nike-silver-speed-super-bowl-xlvi-collection/>. *
 Nike Sweatless Hooded Jacket, Announced Jan. 17, 2013, [Site Visited Feb. 5, 2016] <http://www.6pm.com/nike-sweatless-hooded-jacket>. *

* cited by examiner

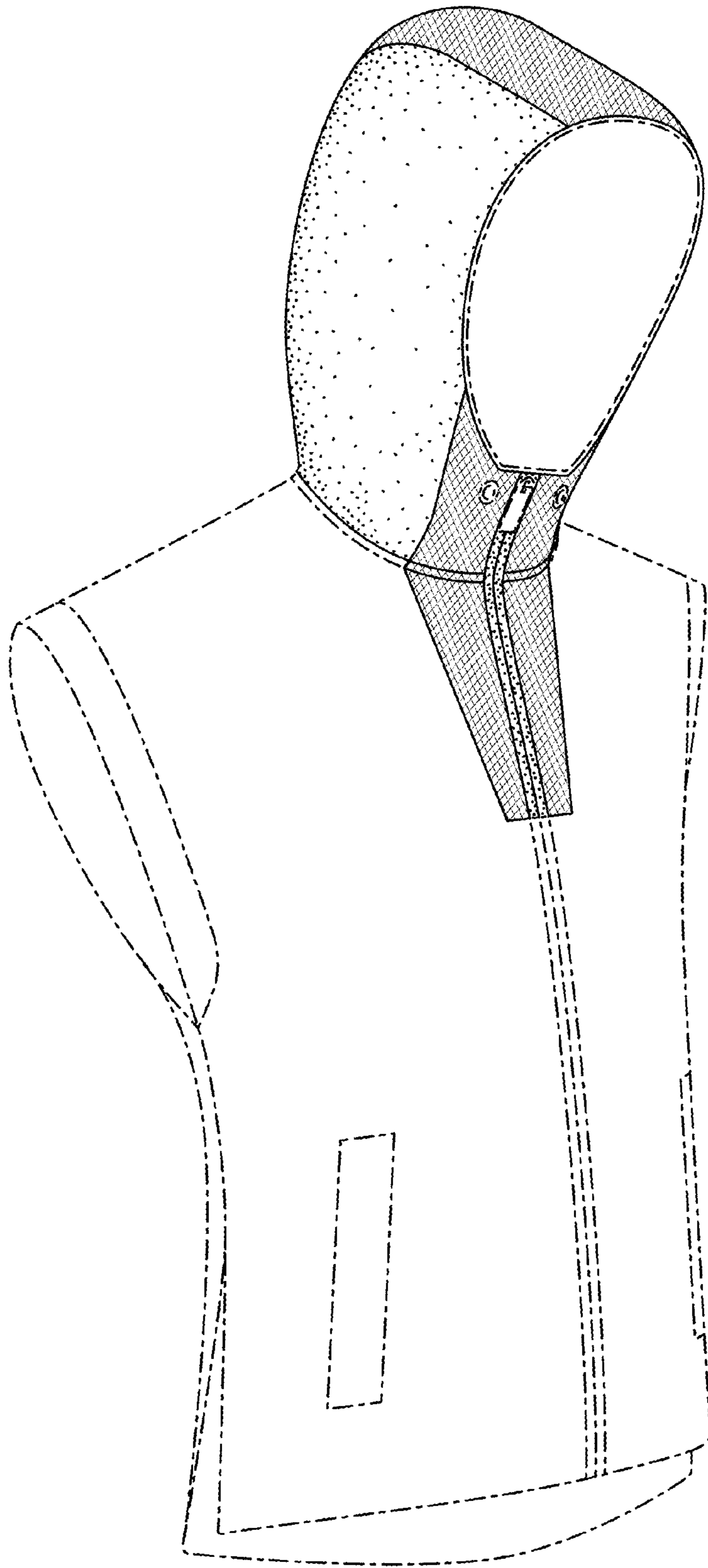


FIG. 1

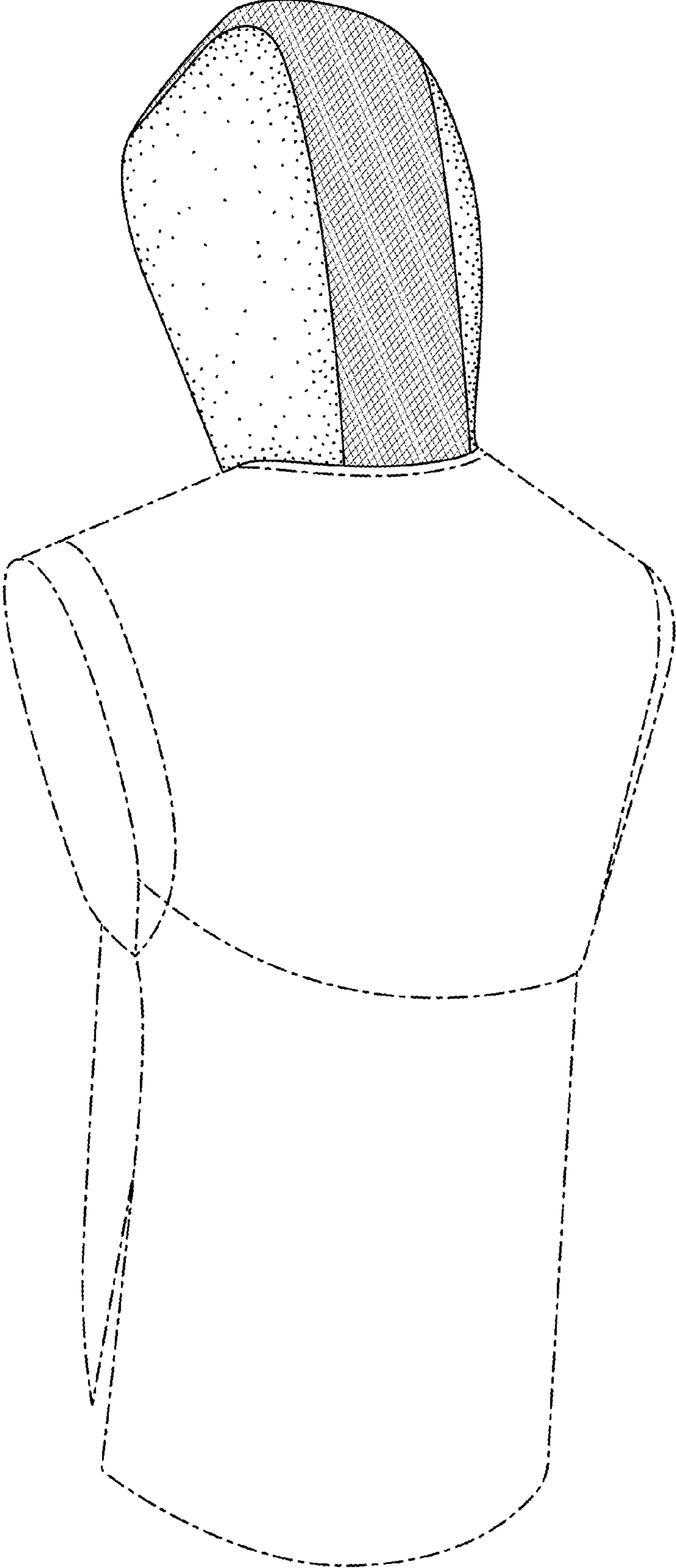


FIG. 2

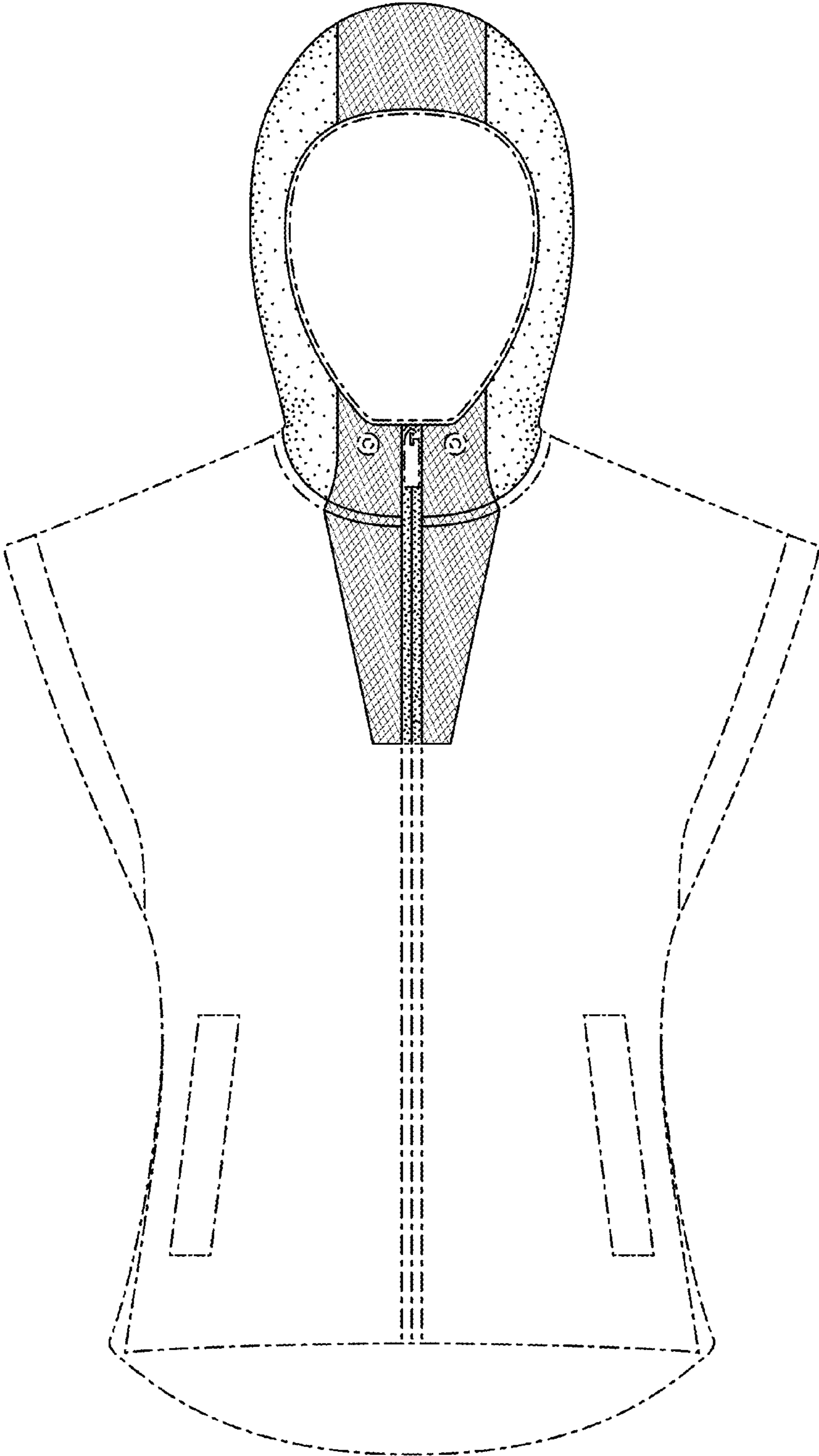


FIG. 3

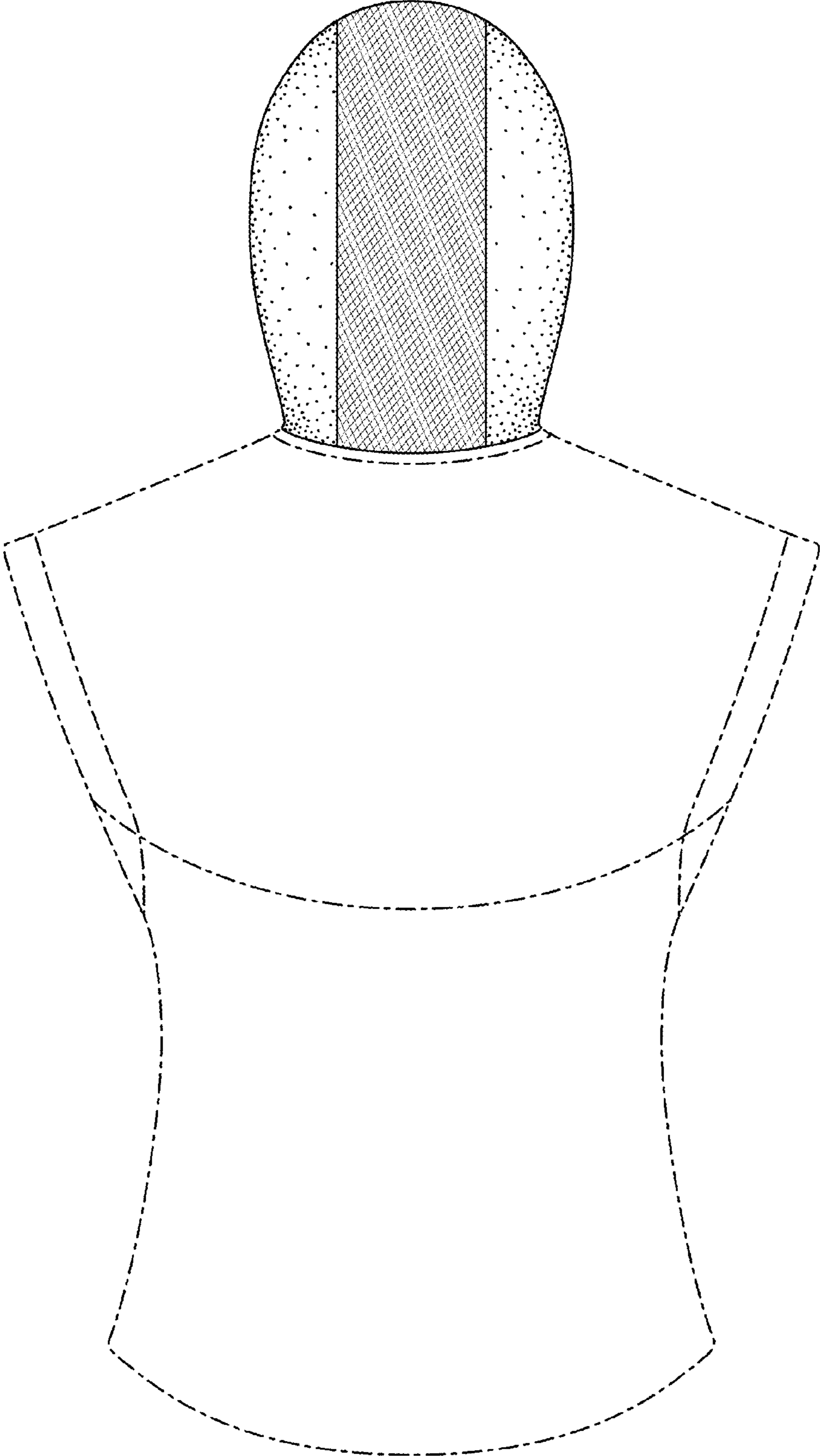


FIG. 4

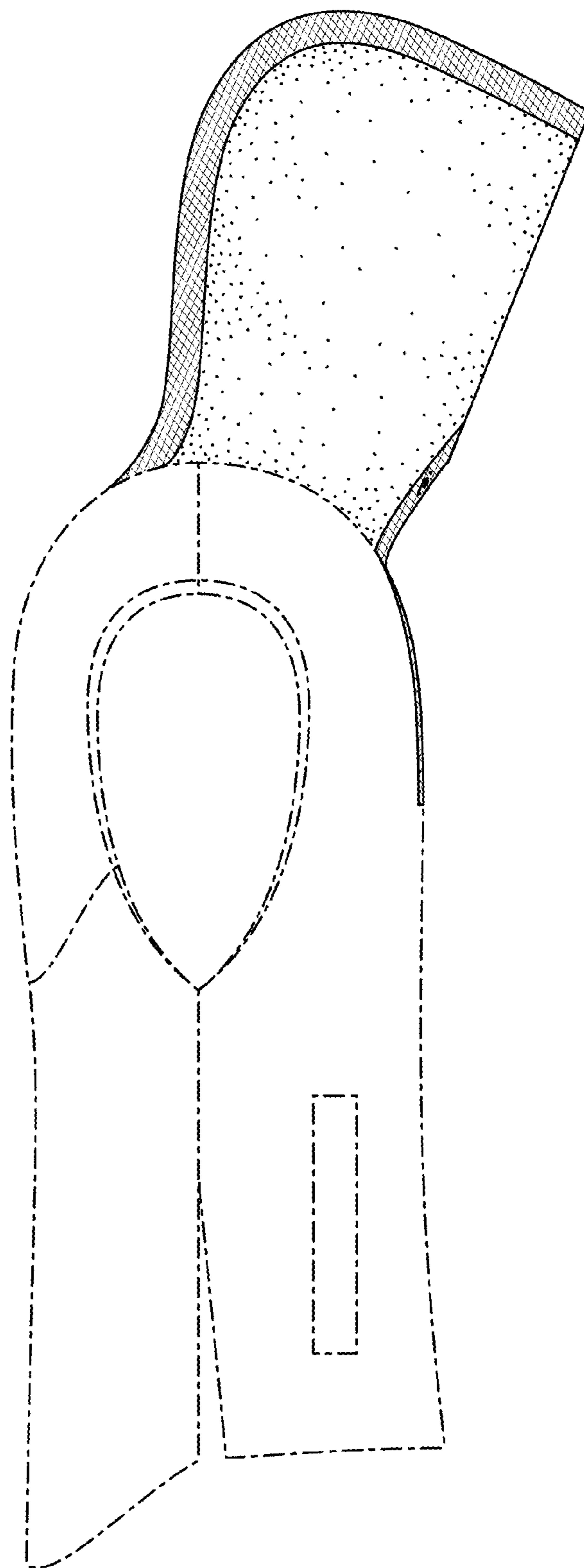


FIG. 5

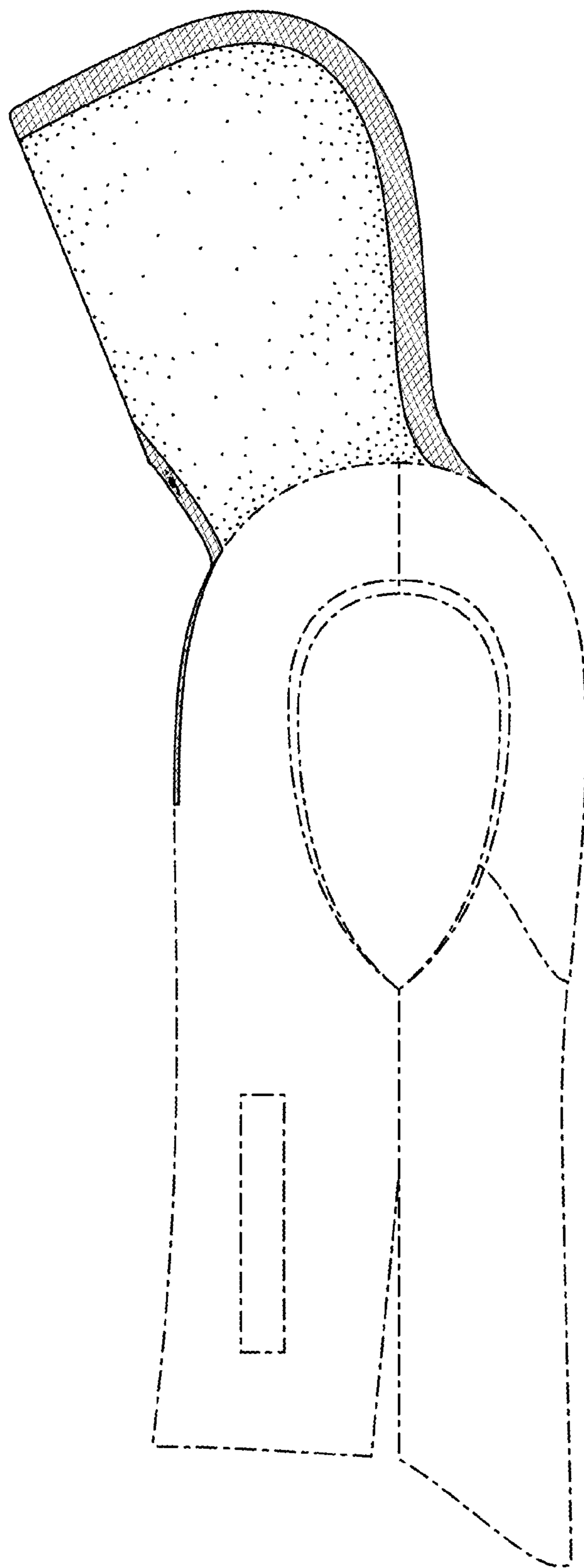


FIG. 6

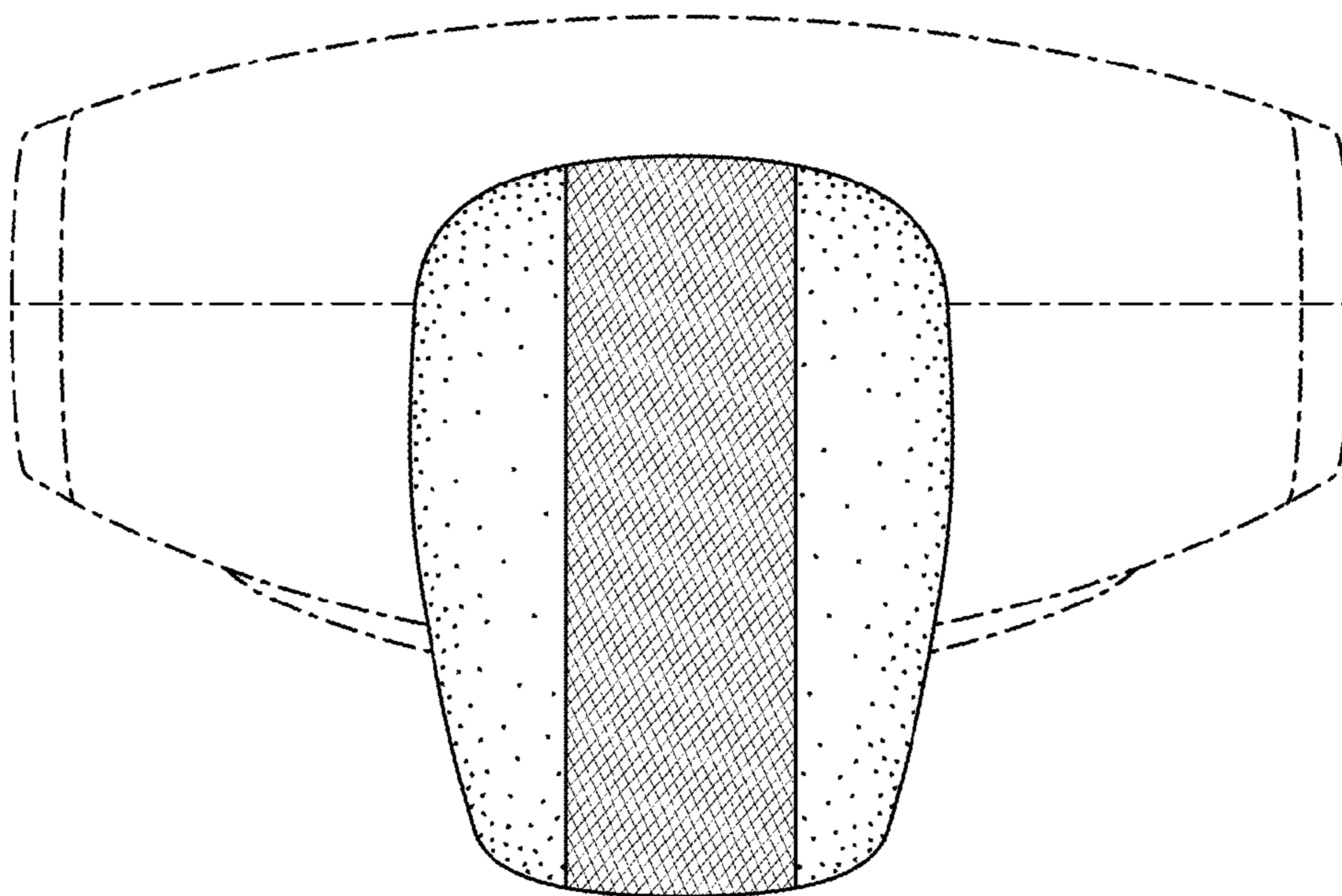


FIG. 7

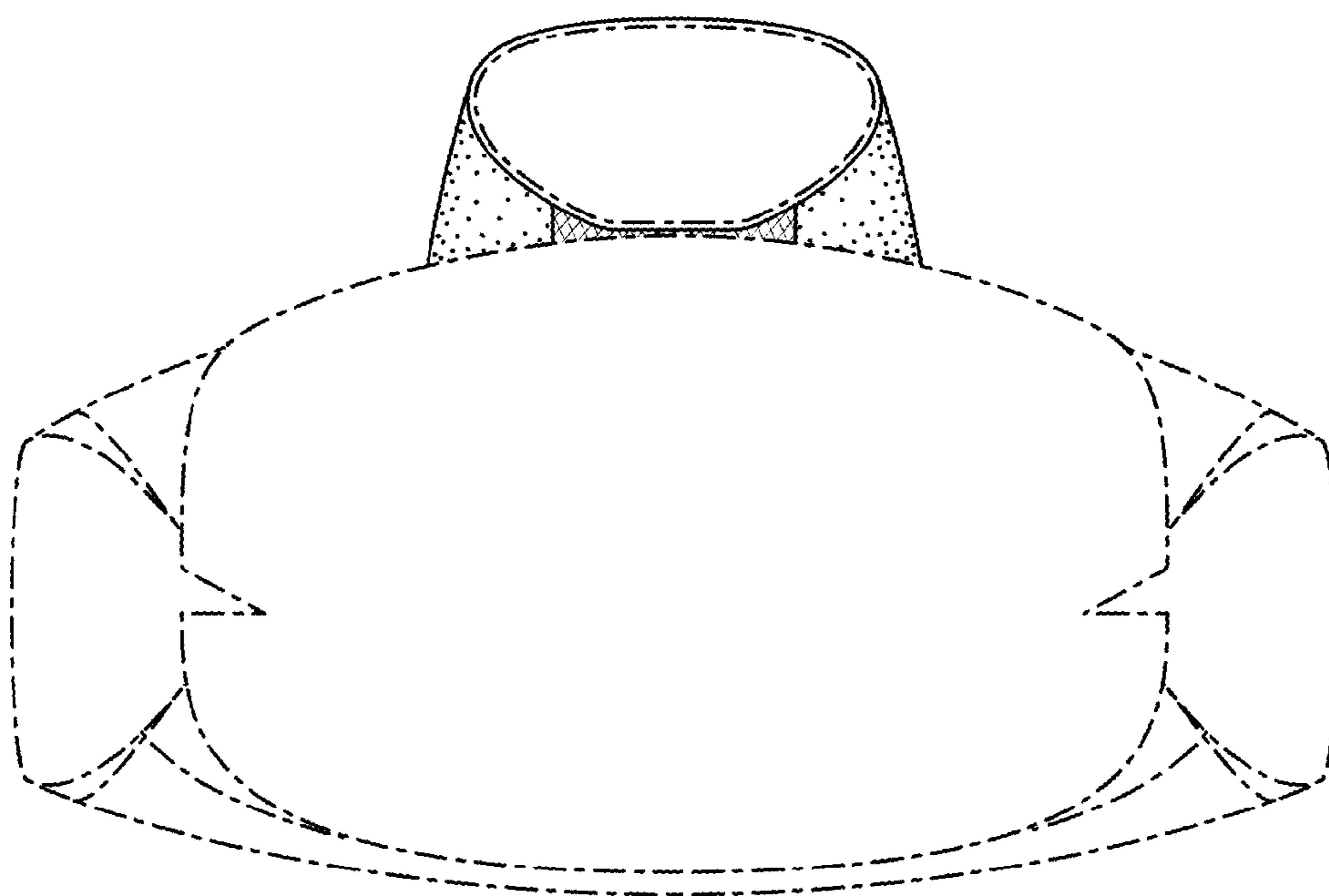


FIG. 8