



US00D762043S

(12) **United States Design Patent**  
**Bartz et al.**

(10) **Patent No.:** **US D762,043 S**  
(45) **Date of Patent:** **\*\* Jul. 26, 2016**

- (54) **CONFECTIONERY PIECE**
- (71) Applicant: **WM. WRIGLEY JR. COMPANY**,  
Chicago, IL (US)
- (72) Inventors: **Raechel Bartz**, Chicago, IL (US);  
**Egidijus Bizys**, Willowbrook, IL (US);  
**Julia Glicken**, Chicago, IL (US)
- (73) Assignee: **WM. WRIGLEY JR. COMPANY**,  
Chicago, IL (US)
- (\*\*) Term: **14 Years**
- (21) Appl. No.: **29/519,488**
- (22) Filed: **Mar. 5, 2015**
- (51) **LOC (10) Cl.** ..... **01-01**
- (52) **U.S. Cl.**  
USPC ..... **D1/127; D1/114**
- (58) **Field of Classification Search**  
USPC ..... D1/100-130, 199; 426/5, 76, 87, 92,  
426/94, 95, 99, 101, 104, 108, 138-139,  
426/143, 144, 279, 282, 283, 391, 514, 549,  
426/660; D13/100; D24/101-104; D28/8.1,  
D28/8.2, 4; 424/467; D32/40; D18/24;  
D12/190; D14/490, 491; 40/618  
CPC ..... A23G 3/50; A23G 3/54  
See application file for complete search history.

- D144,978 S \* 6/1946 Owen ..... D18/29
- D343,268 S \* 1/1994 Kraus ..... D1/114
- D400,685 S \* 11/1998 Stanton ..... D1/114
- D485,962 S \* 2/2004 Norton ..... D1/127
- D546,512 S \* 7/2007 Kertz ..... D1/127
- D588,776 S \* 3/2009 Kanamoto ..... D1/101
- D688,266 S \* 8/2013 Jang ..... D14/490
- D688,267 S \* 8/2013 Jang ..... D14/490
- D688,701 S \* 8/2013 Myung ..... D14/490
- D711,918 S \* 8/2014 Jang ..... D14/490

**OTHER PUBLICATIONS**

Ebidebby. "Mars Starburst GummiBursts." Snack Love. Apr. 21, 2009. Web. Mar. 1, 2016. <<http://ebidebby.blogspot.com/2009/04/starburst-gummybursts.html>>.\*  
 "Starburst Candy." Starburst Hard Candy. Jun. 27, 2013. Web. Mar. 1, 2016. <<https://starbursthardcandyuj.wordpress.com/>>.\*

\* cited by examiner

*Primary Examiner* — Garth Rademaker  
*Assistant Examiner* — Katie S Mroczka

(57) **CLAIM**

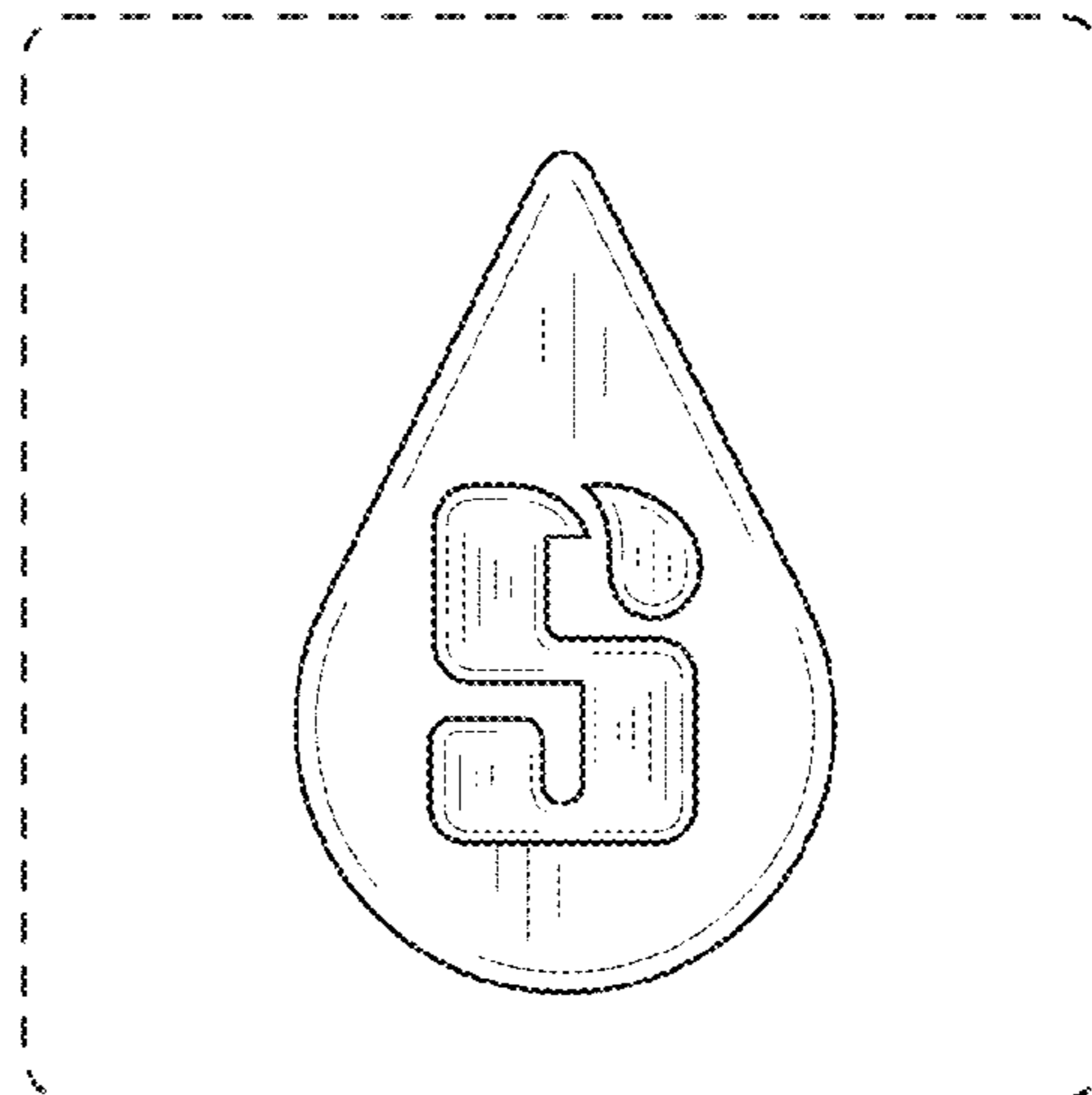
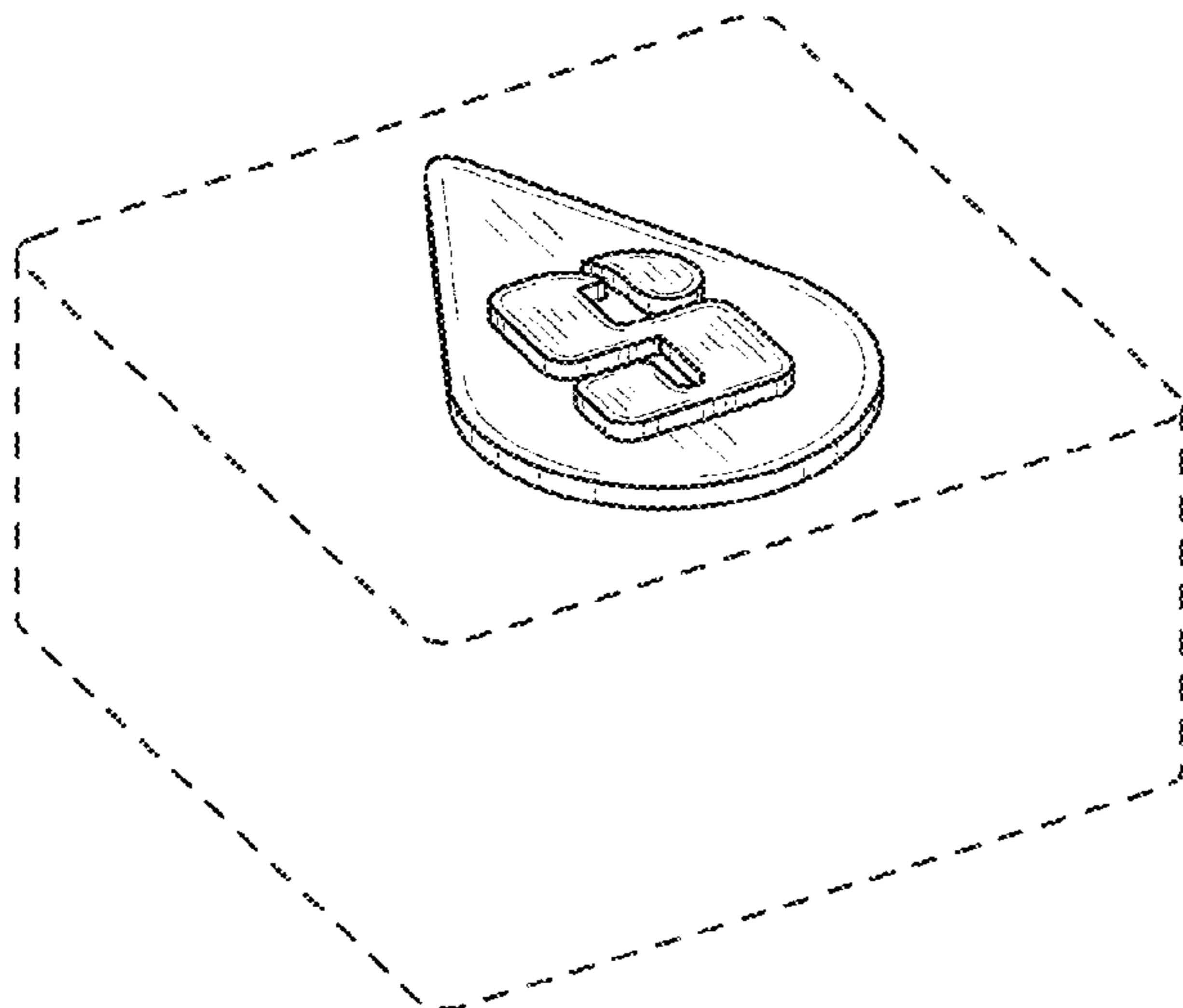
The ornamental design for a confectionery piece, as shown and described.

**DESCRIPTION**

FIG. 1 is a top perspective view of a confectionery piece showing our new design;  
 FIG. 2 is a top plan view of FIG. 1;  
 FIG. 3 is a right side elevation view of FIG. 1;  
 FIG. 4 is a left side elevation view of FIG. 1;  
 FIG. 5 is a top side elevation view of FIG. 1; and,  
 FIG. 6 is a bottom side view of FIG. 1.  
 The broken lines in FIGS. 1-6 illustrate portions of the confectionery piece that form no part of the claimed design.

**1 Claim, 2 Drawing Sheets**

- (56) **References Cited**  
U.S. PATENT DOCUMENTS  
846,043 A \* 3/1907 Mitchell ..... G09F 7/08  
40/618  
1,259,787 A \* 3/1918 Segall ..... G06F 7/08  
206/813  
D97,261 S \* 10/1935 Chernow ..... D18/24



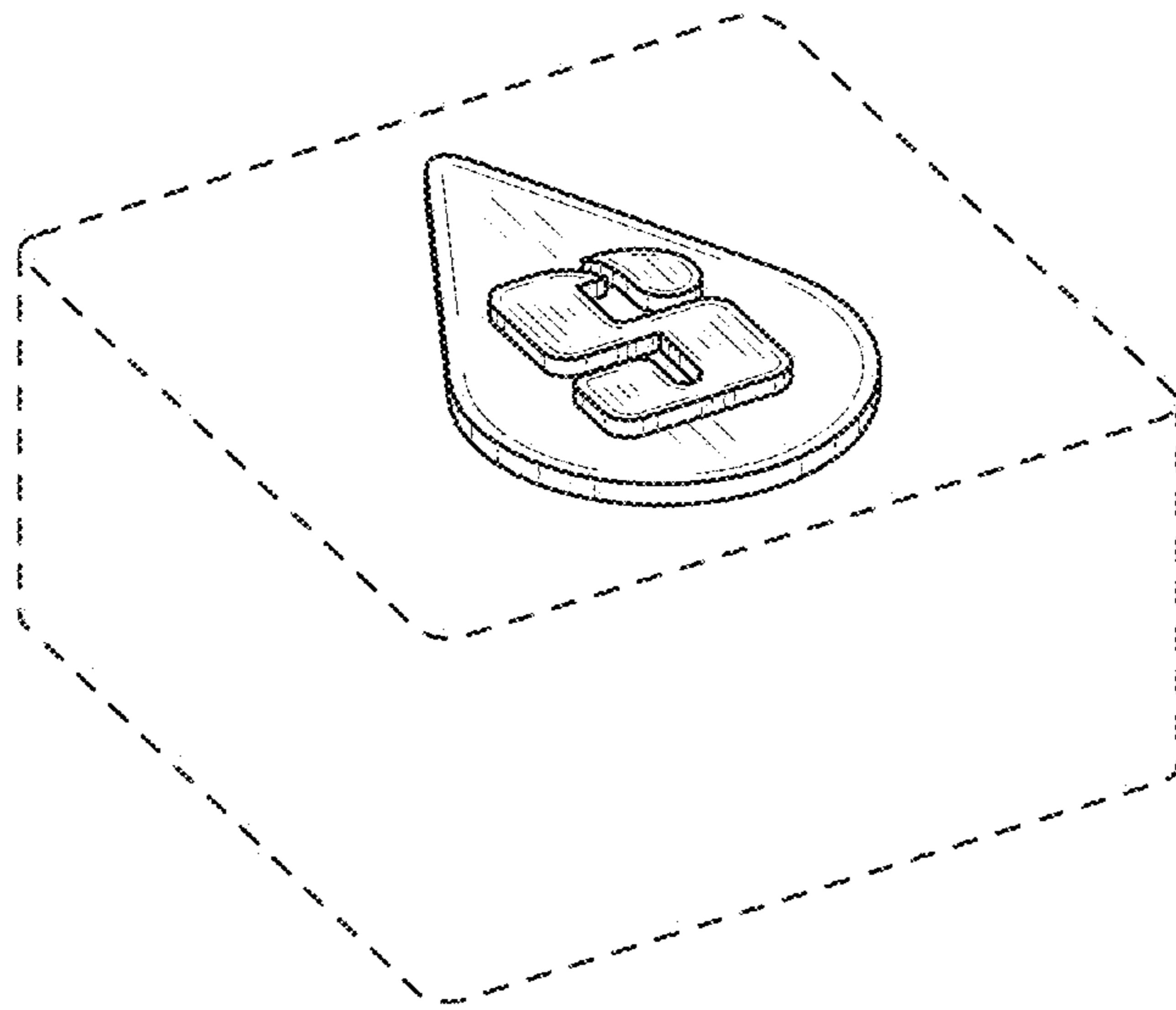


FIG. 1

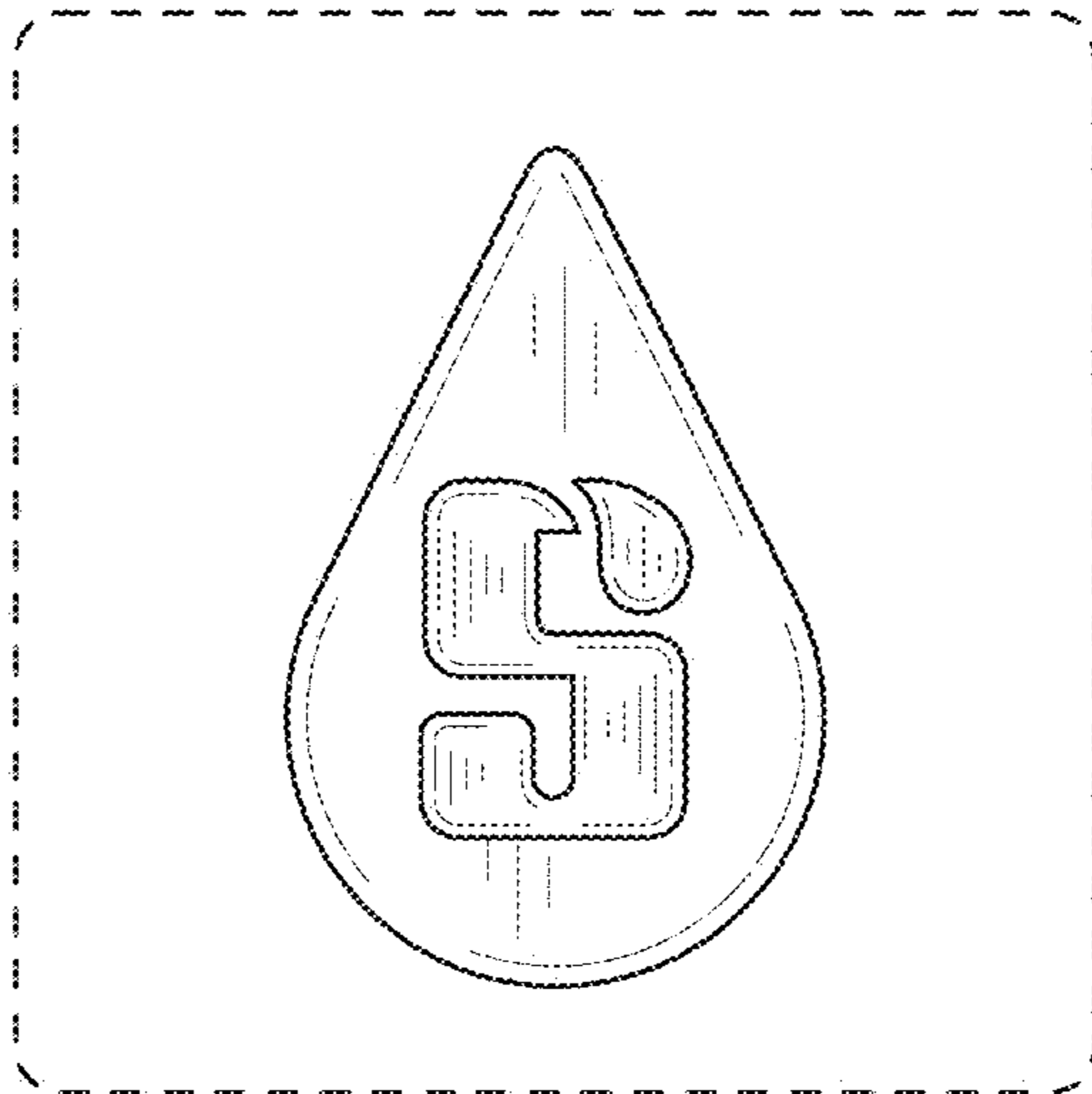
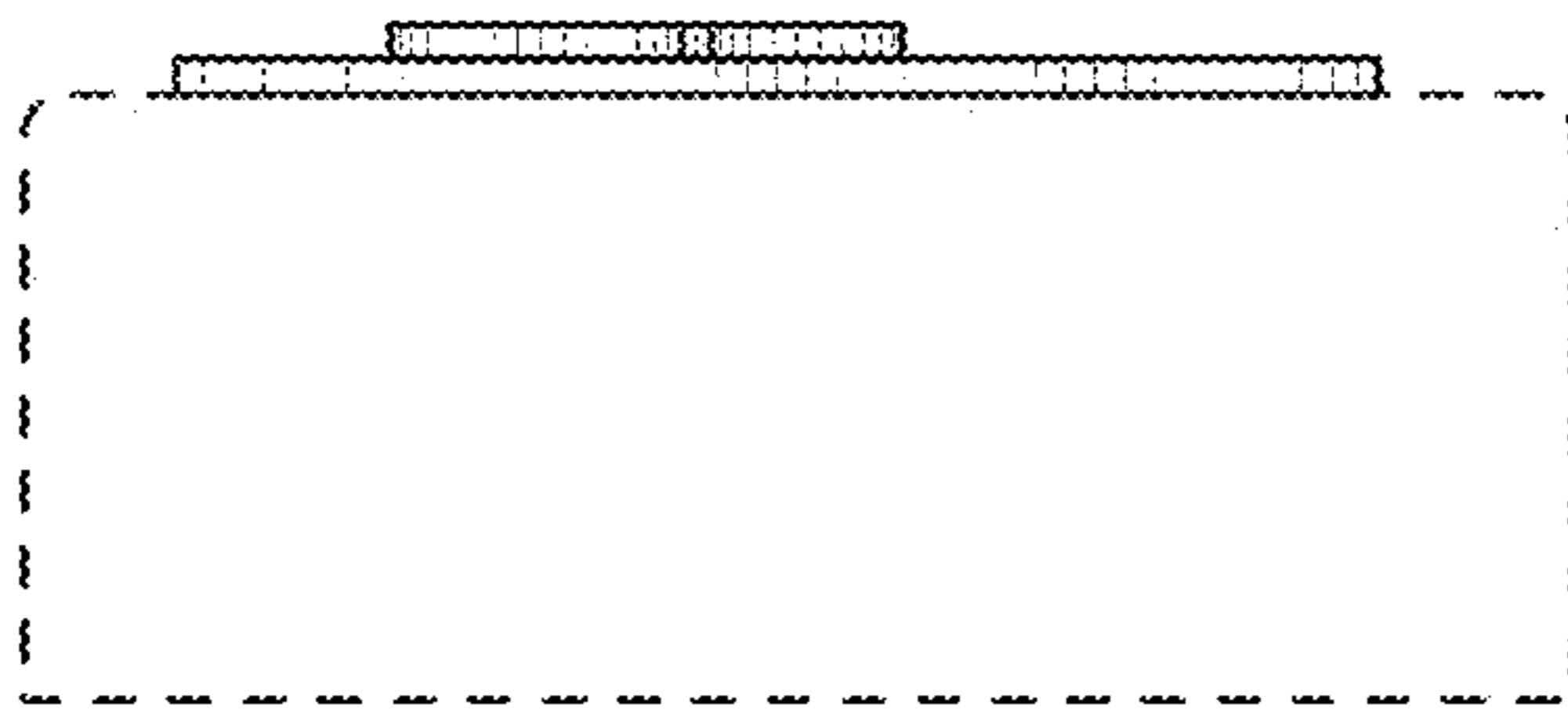
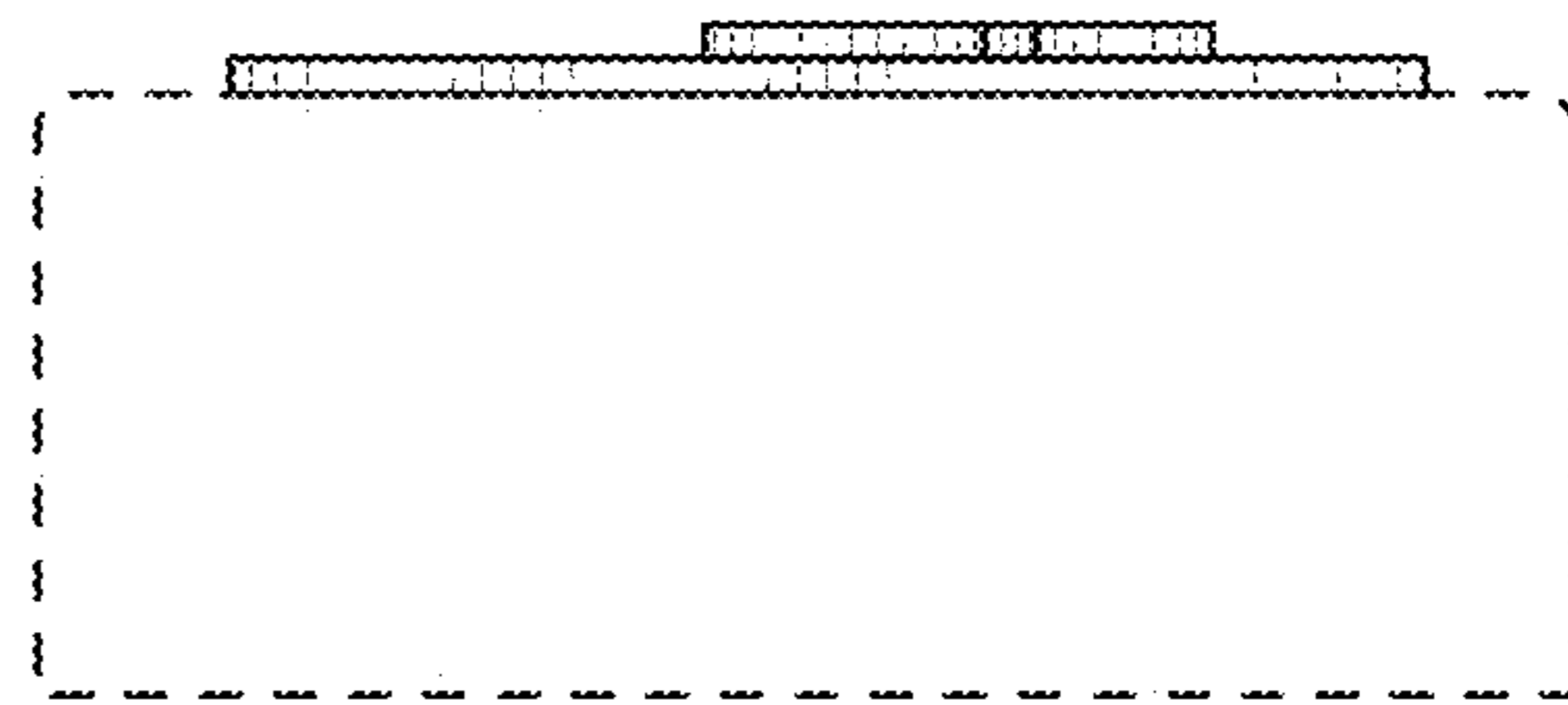


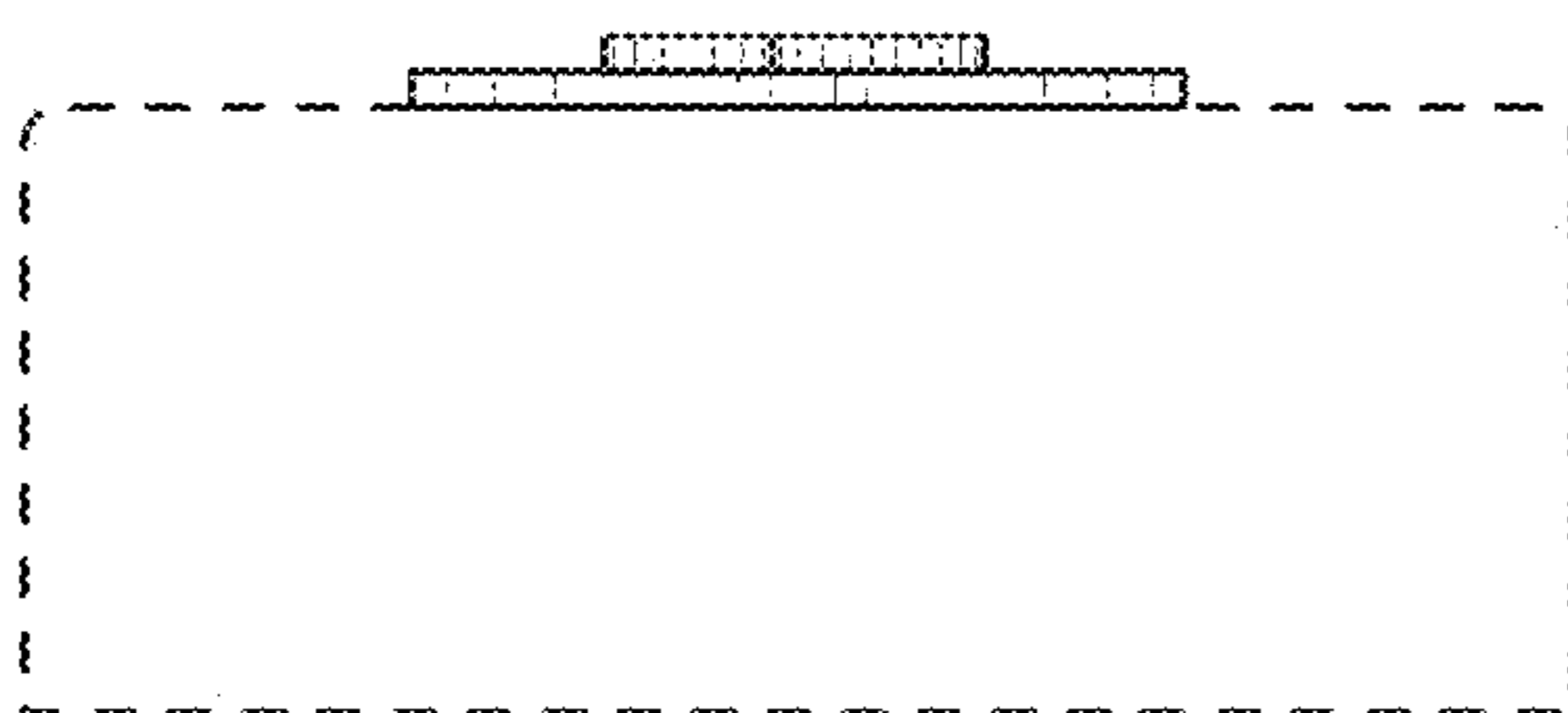
FIG. 2



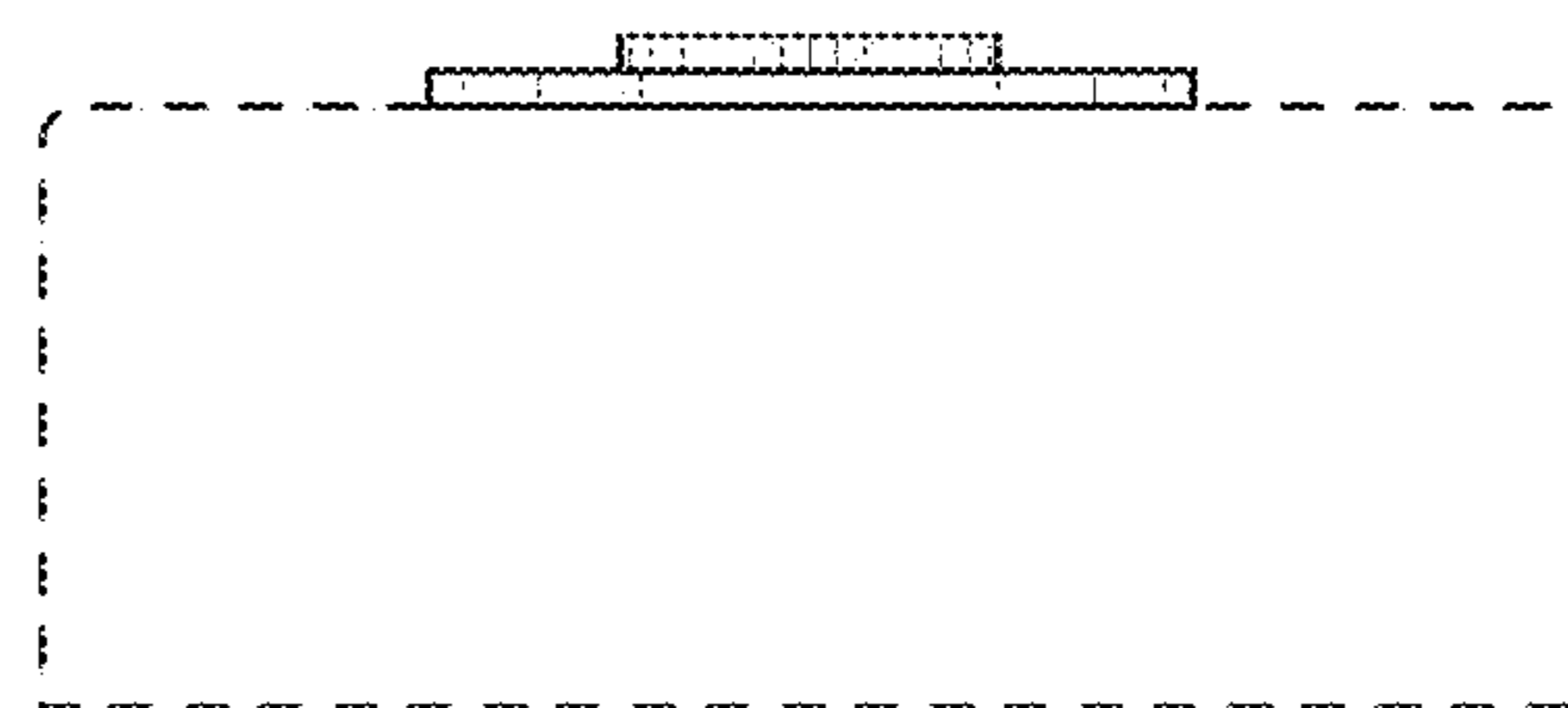
*FIG. 3*



*FIG. 4*



*FIG. 5*



*FIG. 6*