

US00D762039S

(12) **United States Design Patent**  
**Gill**

(10) **Patent No.:** **US D762,039 S**  
(45) **Date of Patent:** **\*\* Jul. 19, 2016**

(54) **LID FOR AN URN**  
(71) Applicant: **Julie Gill**, Saginaw, MI (US)  
(72) Inventor: **Julie Gill**, Saginaw, MI (US)  
(\*\*) Term: **14 Years**  
(21) Appl. No.: **29/524,330**  
(22) Filed: **Apr. 20, 2015**  
(51) **LOC (10) Cl.** ..... **99-00**  
(52) **U.S. Cl.**  
USPC ..... **D99/5**  
(58) **Field of Classification Search**  
USPC ..... D99/5, 19, 21, 29, 8, 14; 27/1; D7/540,  
D7/615; D9/435, 436, 503, 447; D8/378,  
D8/379; D11/143, 144, 145, 146, 151,  
D11/152; 206/776, 779; 220/215, 602, 630;  
428/8; 215/262, 307, 352; 256/1, 19;  
D28/91.1  
CPC ..... A61G 17/08  
See application file for complete search history.

D235,187 S \* 5/1975 Archenbach ..... D7/391  
D242,835 S \* 12/1976 Loscalzo ..... D7/615  
D243,307 S \* 2/1977 Loscalzo ..... D7/615  
D260,926 S \* 9/1981 Dusek ..... D23/369  
D266,135 S \* 9/1982 Husted ..... D7/391  
D266,620 S \* 10/1982 Krech ..... D11/153  
D291,971 S \* 9/1987 Smith ..... D9/447  
D302,795 S \* 8/1989 Finger ..... D7/387  
D309,109 S \* 7/1990 Allen ..... D9/435  
D340,404 S \* 10/1993 Prezner ..... D8/378  
D348,312 S \* 6/1994 Schwartz ..... D23/367  
D390,499 S \* 2/1998 Durham ..... D11/143  
D424,273 S \* 5/2000 Robinson ..... D99/5  
D436,866 S \* 1/2001 Freeman ..... D9/452  
D440,024 S \* 4/2001 Robinson ..... D99/5  
D440,376 S \* 4/2001 Robinson ..... D99/5  
D440,732 S \* 4/2001 Robinson ..... D99/5  
D446,901 S \* 8/2001 Izzi ..... D99/5  
D448,669 S \* 10/2001 Carducci ..... D9/454  
D454,241 S \* 3/2002 Robinson ..... D99/5  
D455,885 S \* 4/2002 Izzi ..... D99/5  
D479,900 S \* 9/2003 Robinson ..... D99/5  
6,688,583 B2 \* 2/2004 Merrick ..... E04H 17/20  
256/1

(Continued)

Primary Examiner — Paula Greene  
(74) Attorney, Agent, or Firm — Robert L. McKellar

(56) **References Cited**  
U.S. PATENT DOCUMENTS

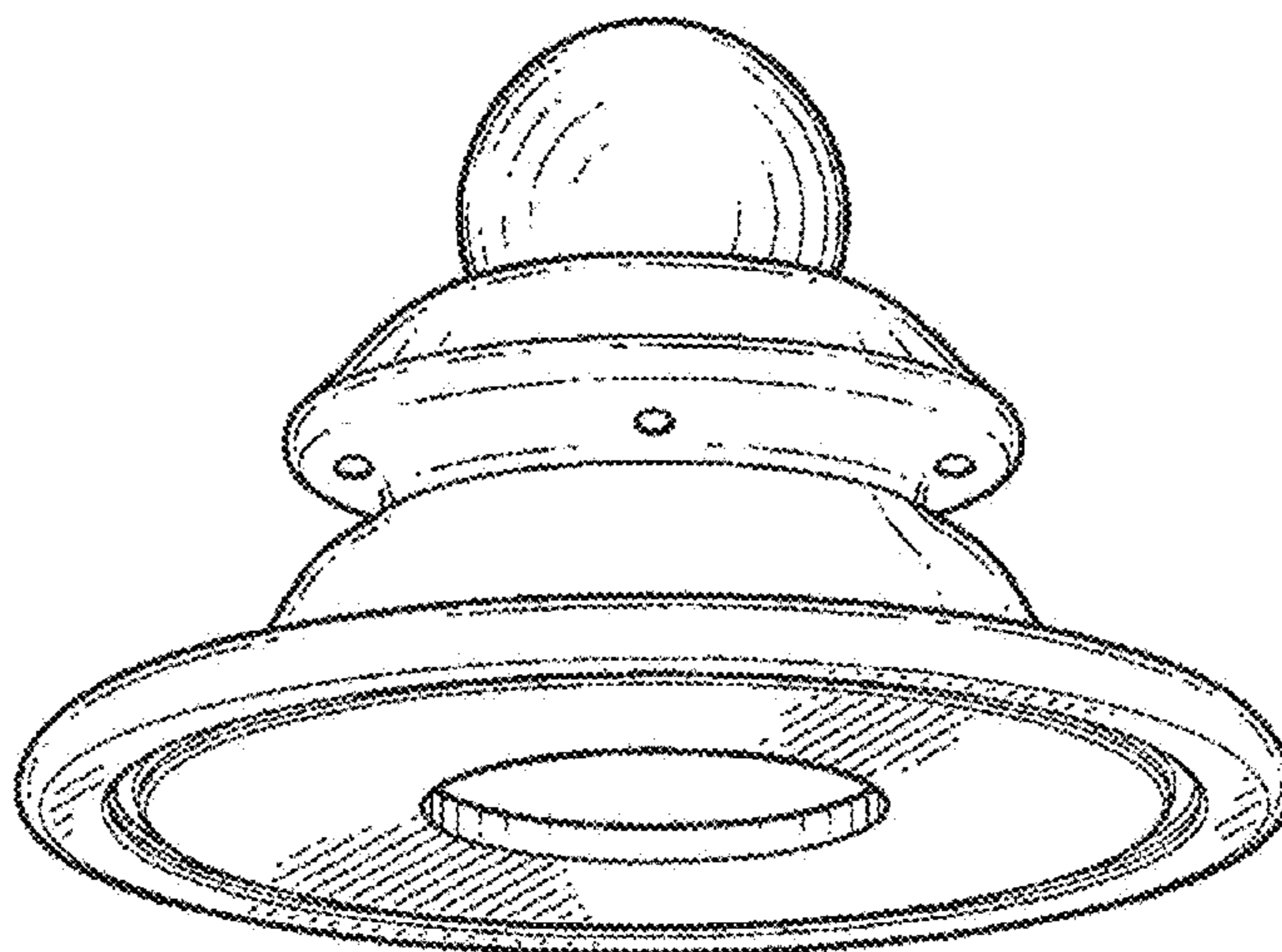
40,552 A \* 11/1863 Bryant ..... B65D 51/1683  
215/262  
438,122 A \* 10/1890 Thorp ..... E04H 17/10  
256/48  
D21,104 S \* 10/1891 Redlich ..... D9/503  
D21,620 S \* 6/1892 Bennett et al. .... 220/606  
D33,631 S \* 12/1900 Klumpp ..... D9/505  
D37,571 S \* 10/1905 Kirkegaard ..... D9/447  
D43,566 S \* 2/1913 Eichhorn ..... D7/540  
D80,719 S \* 3/1930 Blake ..... D8/378  
D80,722 S \* 3/1930 Fairchild ..... D7/540  
D91,521 S \* 2/1934 Hanks ..... D7/540  
2,810,235 A \* 10/1957 Magid ..... A01G 27/06  
47/81  
D235,090 S \* 5/1975 Achenbach ..... D7/391

(57) **CLAIM**  
The ornamental design for a lid for an urn, as shown and described.

**DESCRIPTION**

FIG. 1 is a view in perspective of the lid showing holes in an upper crest;  
FIG. 2 is a full side view of the lid of FIG. 1;  
FIG. 3 is a full top view of the lid of FIG. 1;  
FIG. 4 is a full bottom view of the lid of FIG. 1; and,  
FIG. 5 is a sectional view taken through lines 5-5 of FIG. 2.  
Any broken lines in the drawings are for illustrative purposes only and form no part of the claimed design.

**1 Claim, 3 Drawing Sheets**



# US D762,039 S

Page 2

---

(56)

## References Cited

### U.S. PATENT DOCUMENTS

D495,599 S \* 9/2004 Biesecker ..... D7/391  
D537,230 S \* 2/2007 Phelps ..... D99/29  
D540,005 S \* 4/2007 Phelps ..... D99/29  
D563,075 S \* 2/2008 Phelps ..... D99/29

D653,011 S \* 1/2012 Myers ..... D99/5  
D667,604 S \* 9/2012 Khan ..... D99/5  
D703,913 S \* 4/2014 Irvine ..... D99/5  
D719,714 S \* 12/2014 Khan ..... D99/5  
D734,569 S \* 7/2015 Gill ..... D30/161

\* cited by examiner

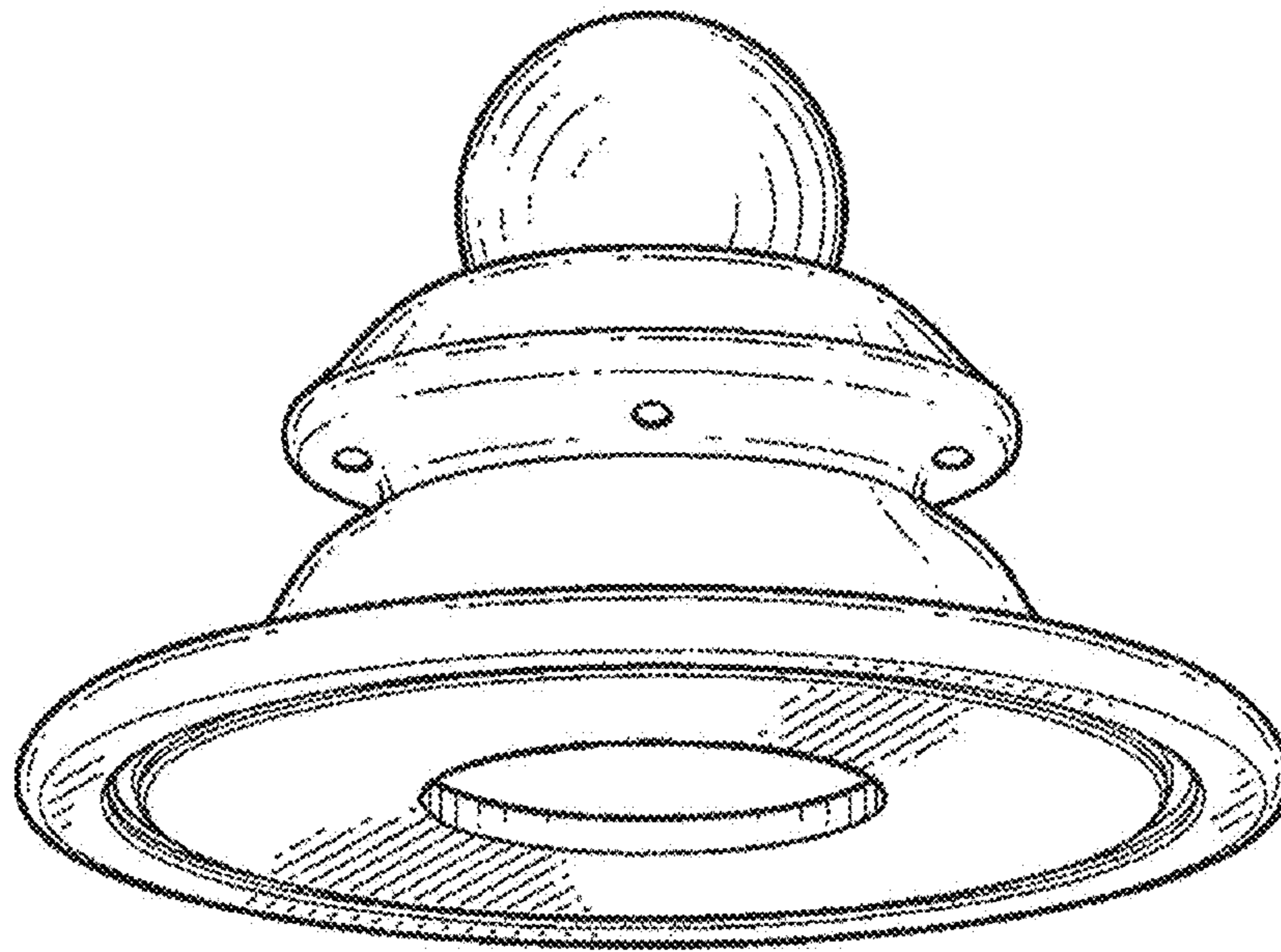


FIG. 1

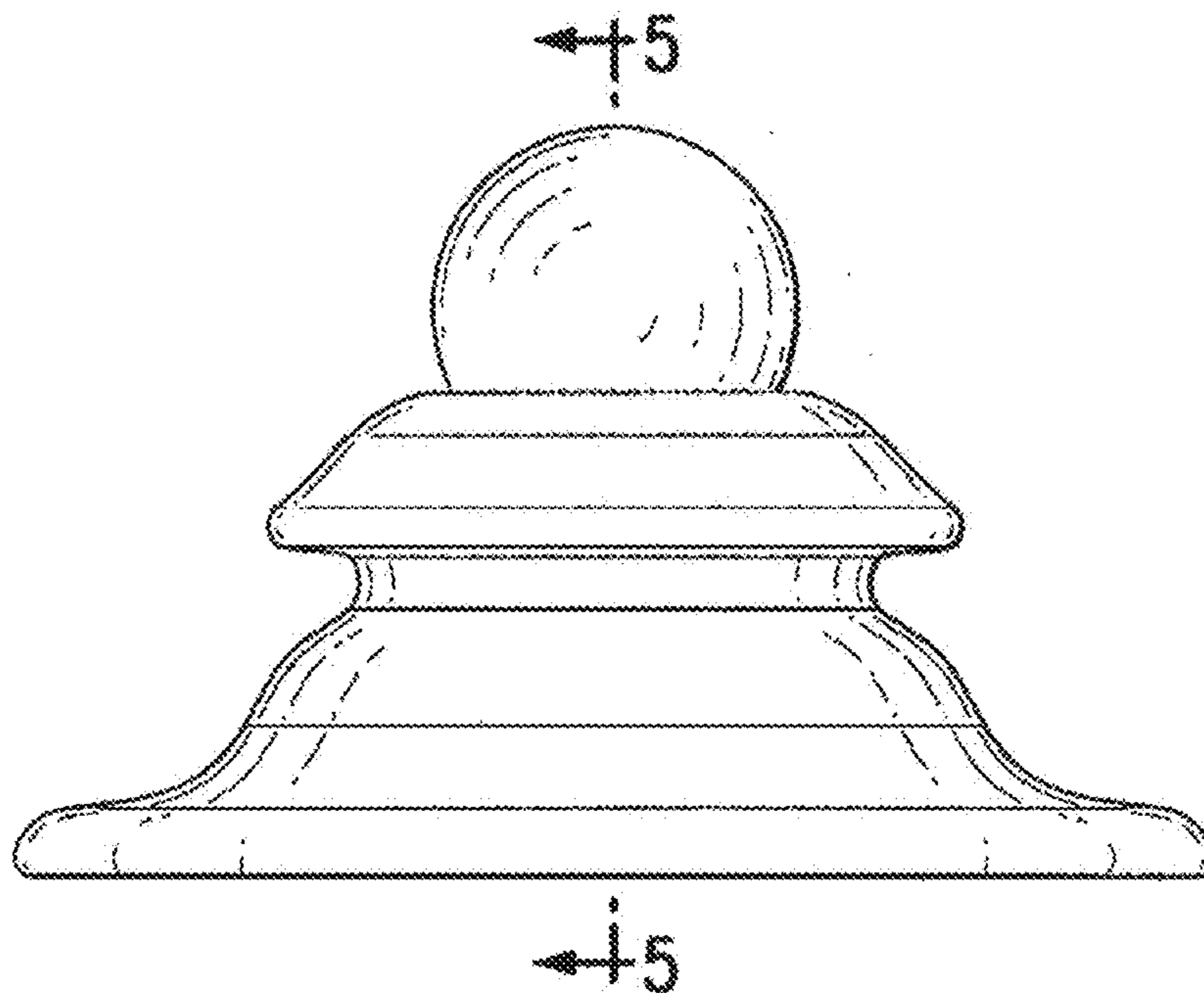


FIG. 2

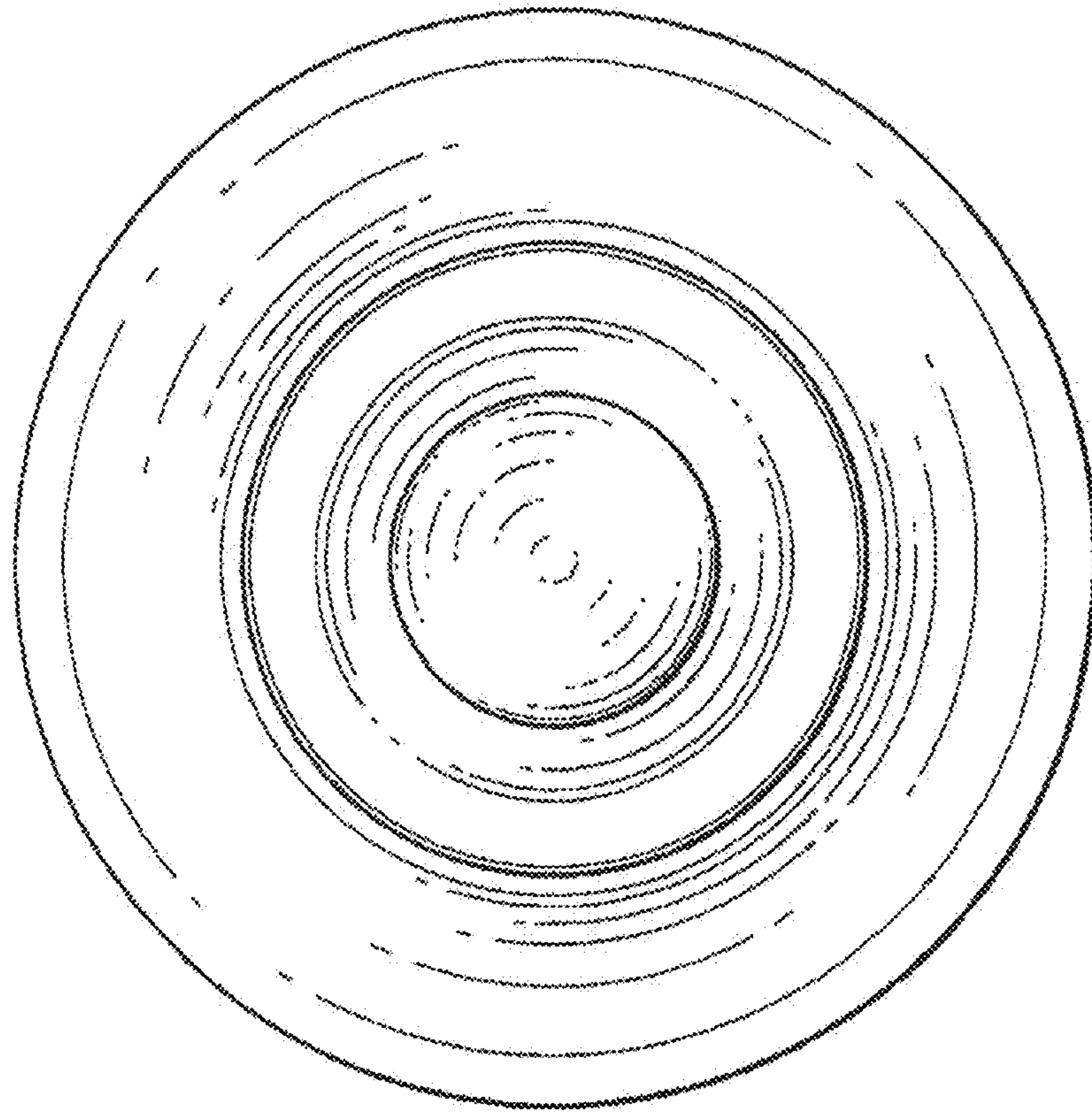


FIG. 3

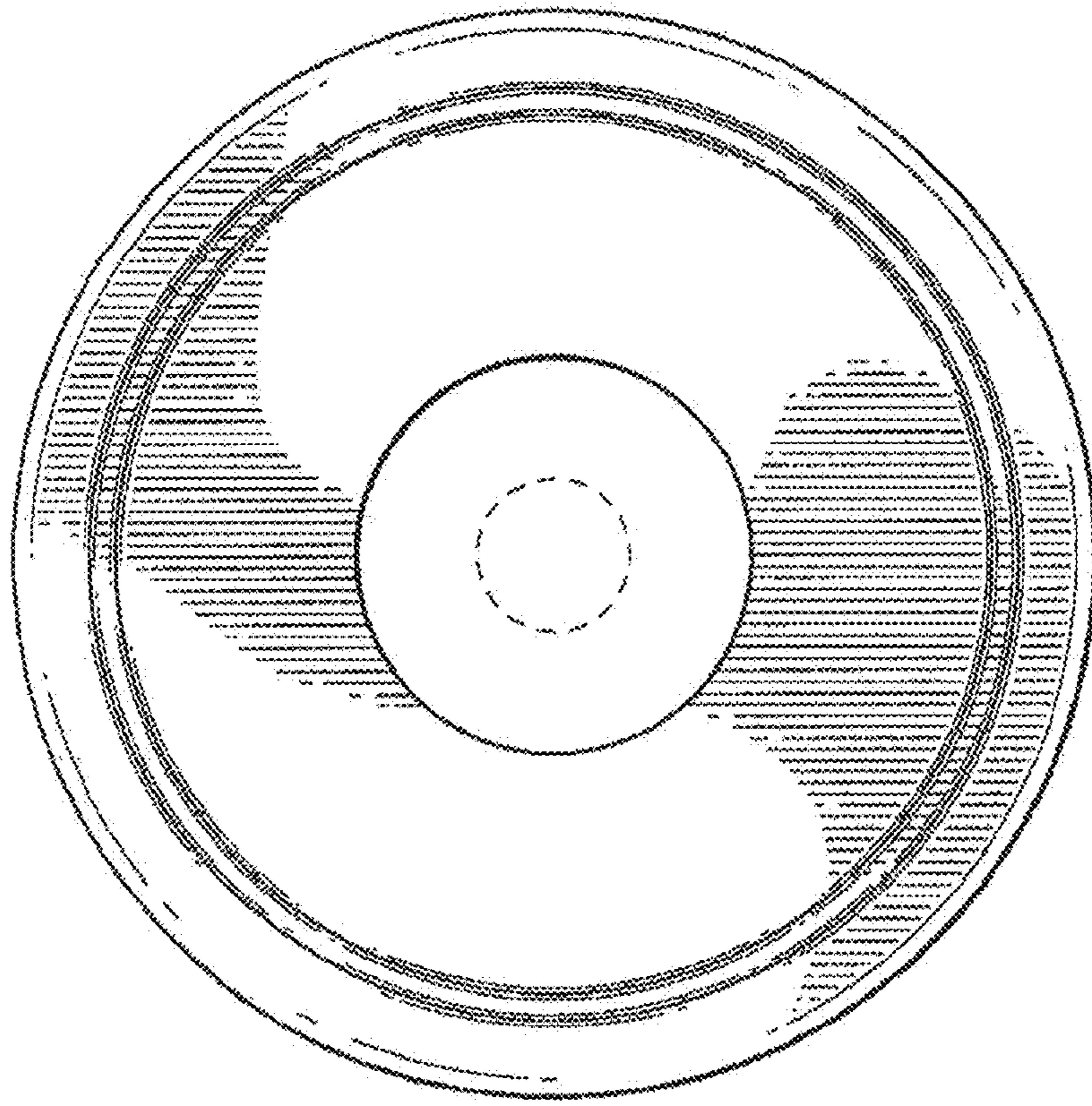


FIG. 4

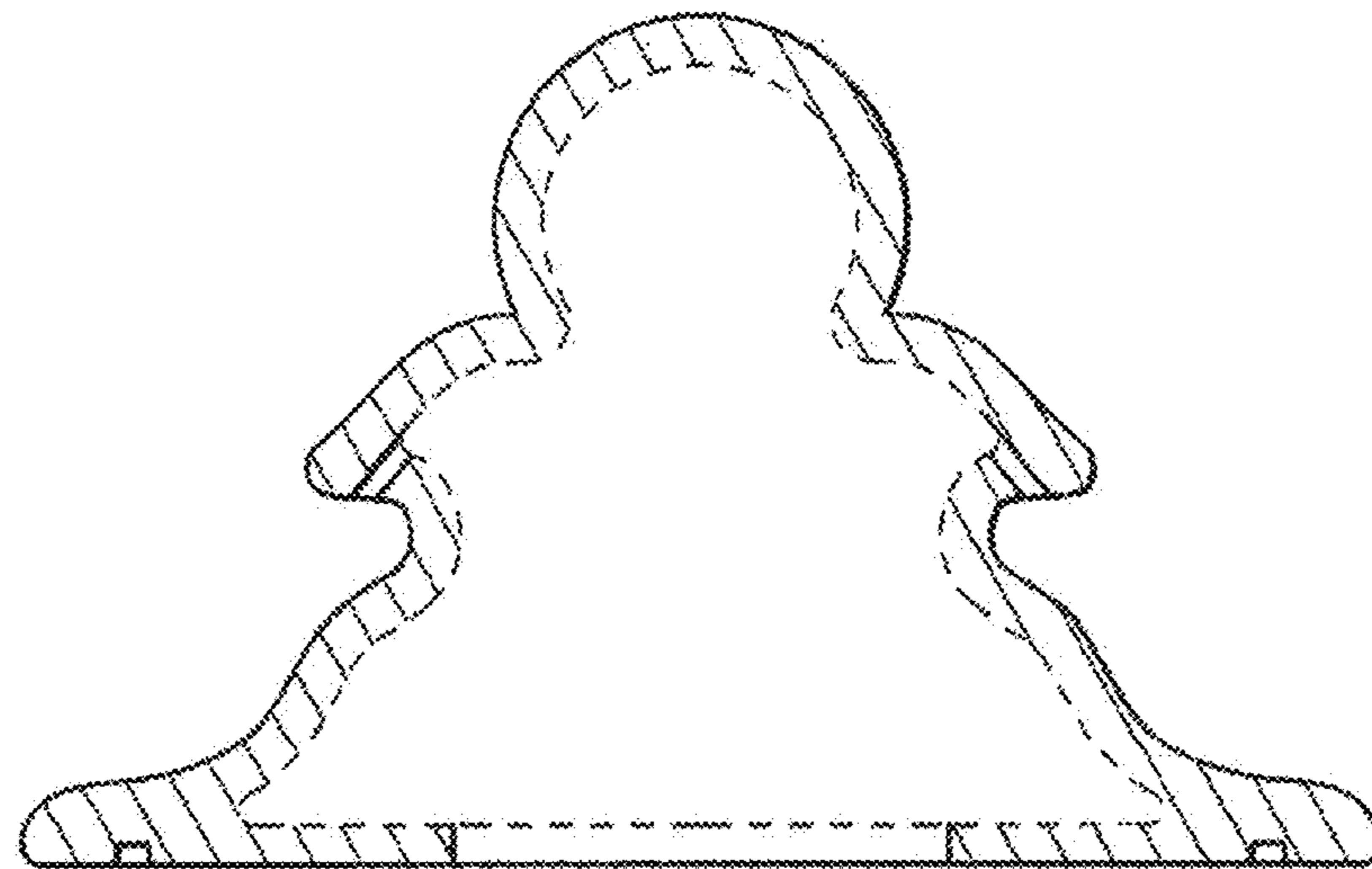


FIG. 5