



US00D762038S

(12) **United States Design Patent**  
**Miller**

(10) **Patent No.:** **US D762,038 S**  
(45) **Date of Patent:** **\*\* Jul. 19, 2016**

(54) **DECORATIVE PANEL FOR A WELDING  
CART**

(71) Applicant: **Lincoln Global, Inc.**, City of Industry,  
CA (US)

(72) Inventor: **Victor Miller**, Jamul, CA (US)

(73) Assignee: **Lincoln Global, Inc.**, City of Industry,  
CA (US)

(\*\*) Term: **14 Years**

(21) Appl. No.: **29/522,972**

(22) Filed: **Apr. 6, 2015**

**Related U.S. Application Data**

(63) Continuation of application No. 29/472,433, filed on  
Nov. 12, 2013, now Pat. No. Des. 730,609.

(51) **LOC (10) Cl.** ..... **12-02**

(52) **U.S. Cl.**  
USPC ..... **D34/27**

(58) **Field of Classification Search**  
USPC ..... D34/12-27; 280/30, 5.32, 651, 47.35,  
280/79.11, 79.3, 47.26, 79.2, 47.371;  
312/249.12, 109; D25/47, 54, 103,  
D25/138, 145, 155, 156, 163, 113, 115, 148,  
D25/154, 157; 52/171, 311, 455-456;  
248/38, 15, 210

CPC ..... B23K 7/10; B23K 9/201; B23K 9/206;  
B23K 9/287; B23K 9/32; B23K 9/323;  
B25H 3/00; B62B 3/108

See application file for complete search history.

(56) **References Cited**

**U.S. PATENT DOCUMENTS**

D179,231 S \* 11/1956 Zanuso et al. .... D25/138  
D259,893 S \* 7/1981 Fidel ..... D25/138

D272,474 S \* 1/1984 Belgiojoso ..... D25/138  
D305,568 S \* 1/1990 Sakata ..... D25/113  
5,642,898 A 7/1997 Wise  
D411,313 S \* 6/1999 Azar ..... D25/113  
D414,275 S \* 9/1999 Azar ..... D25/113  
6,512,195 B2 1/2003 Domschot  
7,114,732 B1 10/2006 Ismail  
7,252,297 B1 8/2007 Barritt  
7,309,845 B2 12/2007 Domschot  
D620,148 S \* 7/2010 Rhee ..... D25/138  
D620,149 S \* 7/2010 Rhee ..... D25/138  
D621,074 S \* 8/2010 Rhee ..... D25/138  
8,167,322 B2 5/2012 Greene  
D730,609 S 5/2015 Miller

**FOREIGN PATENT DOCUMENTS**

CA 2422134 A1 5/2008  
CN 2675323 Y 2/2005  
CN 102974960 A 3/2013

\* cited by examiner

*Primary Examiner* — Cynthia Ramirez

*Assistant Examiner* — Gino Colan

(74) *Attorney, Agent, or Firm* — Hahn Loeser & Parks LLP

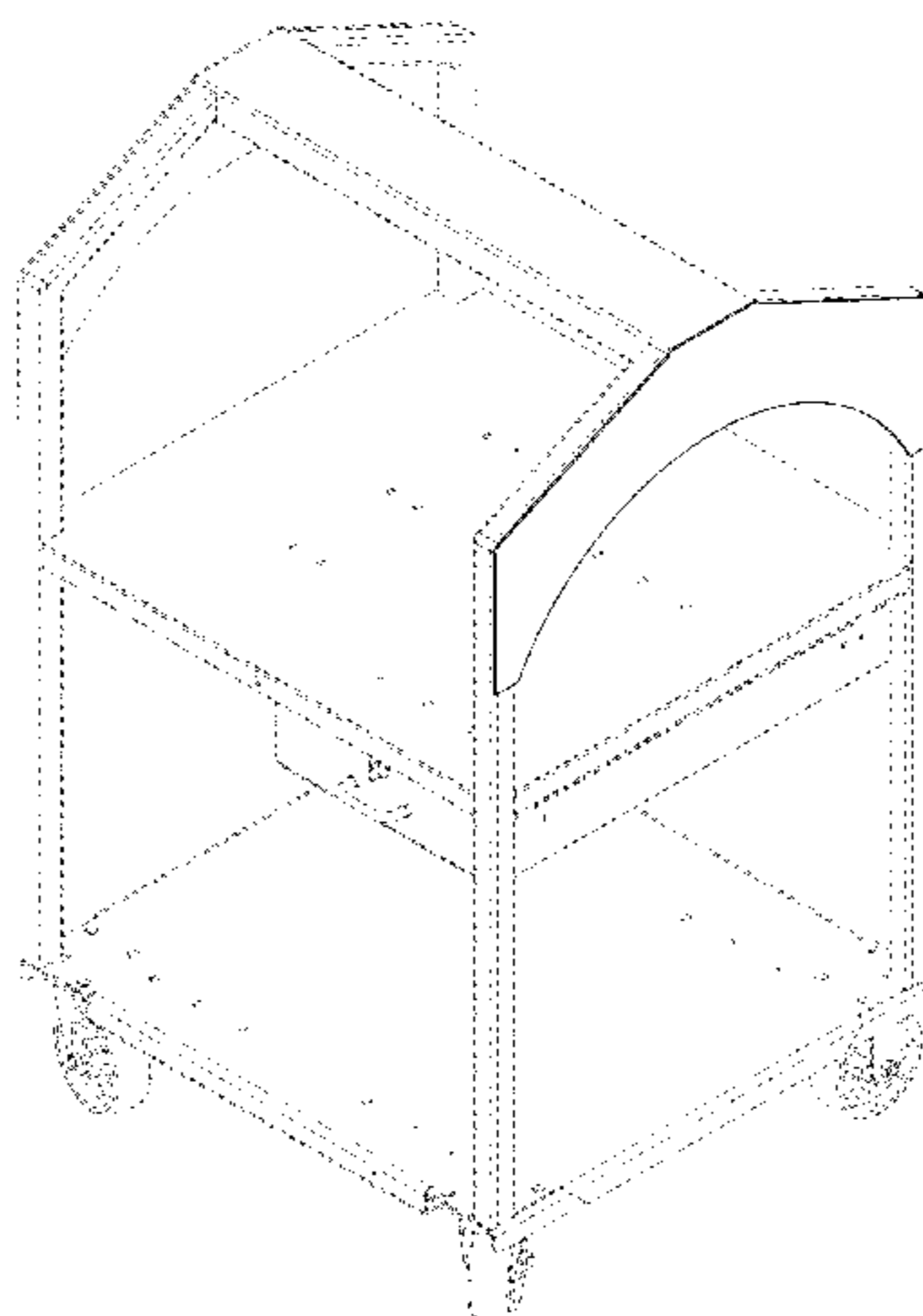
(57) **CLAIM**

The ornamental design for a decorative panel for a welding  
cart, as shown and described.

**DESCRIPTION**

FIG. 1 is a top perspective view of a decorative panel for a  
welding cart showing my new design; and,  
FIG. 2 is a right elevational view thereof, the left elevational  
view being a mirror image thereof.  
The broken lines shown in the figures are included for the  
purpose of illustrating environment and form no part of the  
claimed design.

**1 Claim, 2 Drawing Sheets**



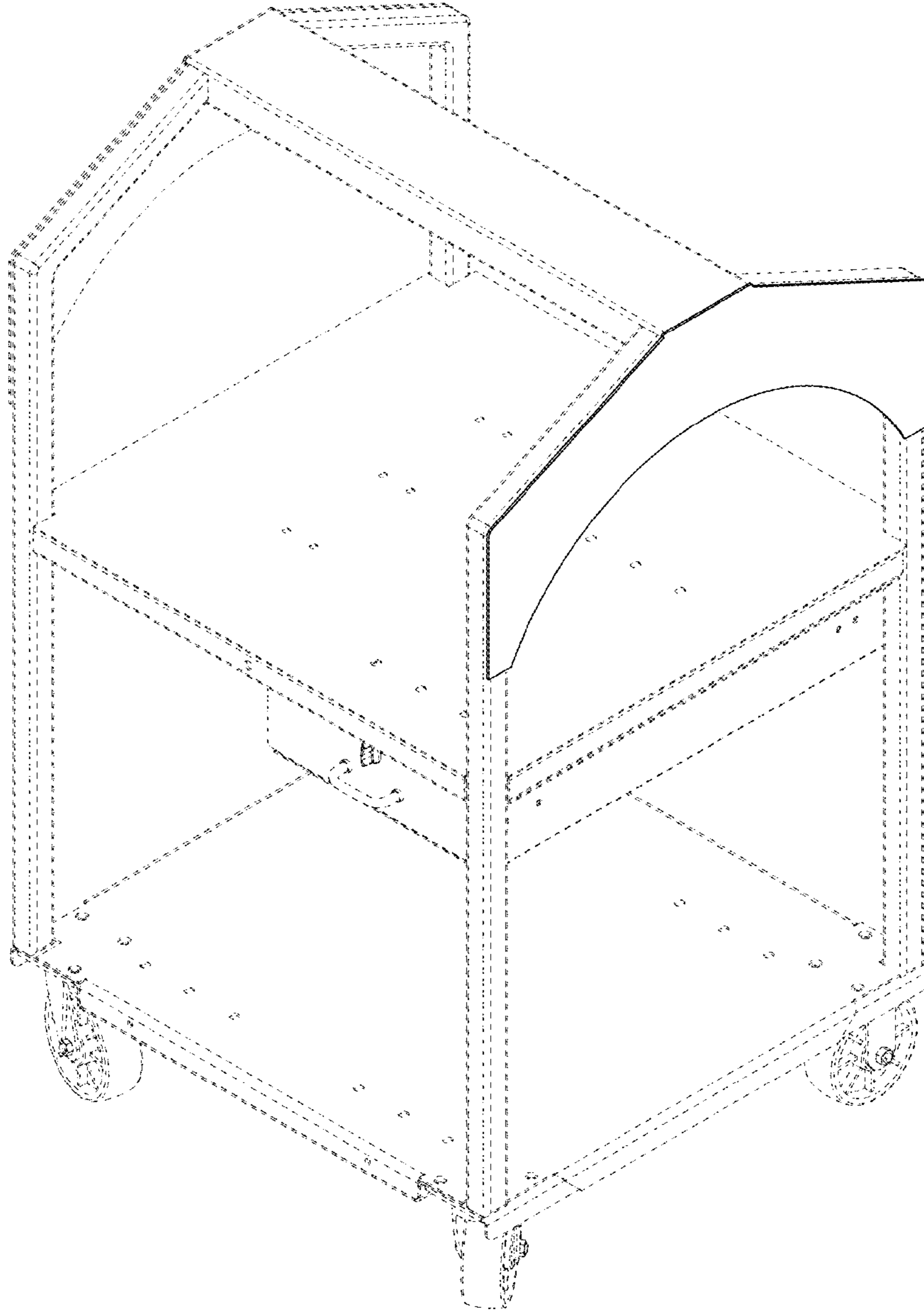


FIG. 1

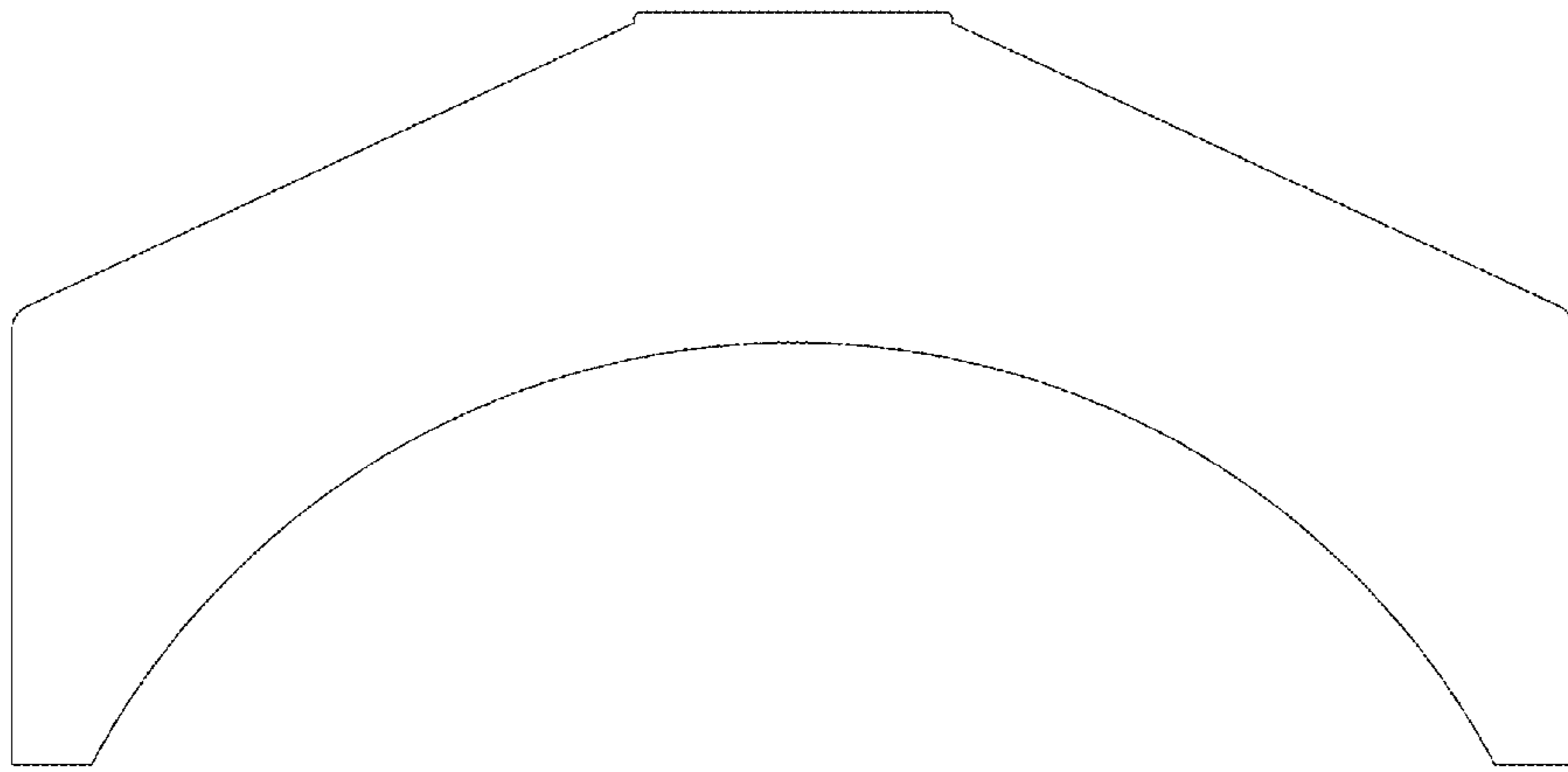


FIG. 2