

US00D762037S

(12) **United States Design Patent**  
**Chen**

(10) **Patent No.:** **US D762,037 S**  
(45) **Date of Patent:** **\*\* Jul. 19, 2016**

(54) **TRASH CAN**

(56) **References Cited**

(71) Applicant: **EKO Development Limited,**  
Guangzhou (CN)

(72) Inventor: **Yizhi Chen,** Guangzhou (CN)

(73) Assignee: **EKO Development Limited,**  
Guangzhou (CN)

(\*\*) Term: **14 Years**

(21) Appl. No.: **29/501,988**

(22) Filed: **Sep. 10, 2014**

(30) **Foreign Application Priority Data**

Jun. 19, 2014 (CN) ..... 2014 3 0191331

(51) **LOC (10) CL.** ..... **09-09**

(52) **U.S. Cl.**  
USPC ..... **D34/7**

(58) **Field of Classification Search**  
USPC ..... D34/1-11; 220/908-913, 262-264  
CPC ..... B65F 1/1638; B65F 1/02; B65F 7/00;  
B65F 1/1615

See application file for complete search history.

U.S. PATENT DOCUMENTS

D488,902 S *	4/2004	Yang et al.	.....	D34/8
D580,613 S *	11/2008	Yang et al.	.....	D34/7
D615,722 S *	5/2010	Yang et al.	.....	D34/7
D634,911 S *	3/2011	Yang et al.	.....	D34/7
D657,108 S *	4/2012	Yang et al.	.....	D34/7
D675,802 S *	2/2013	Yang et al.	.....	D34/7
D675,803 S *	2/2013	Yang et al.	.....	D34/7
D725,860 S *	3/2015	Spivey et al.	.....	D34/7
D727,583 S *	4/2015	Yang et al.	.....	D34/7

\* cited by examiner

*Primary Examiner* — Cynthia Ramirez

*Assistant Examiner* — Gino Colan

(74) *Attorney, Agent, or Firm* — William Dippert; Laurence Greenberg; Werner Stemer

(57) **CLAIM**

The ornamental design for a trash can, as shown and described.

**DESCRIPTION**

FIG. 1 is a top perspective view of a trash can showing my new design;

FIG. 2 is a front view of a trash can of FIG. 1;

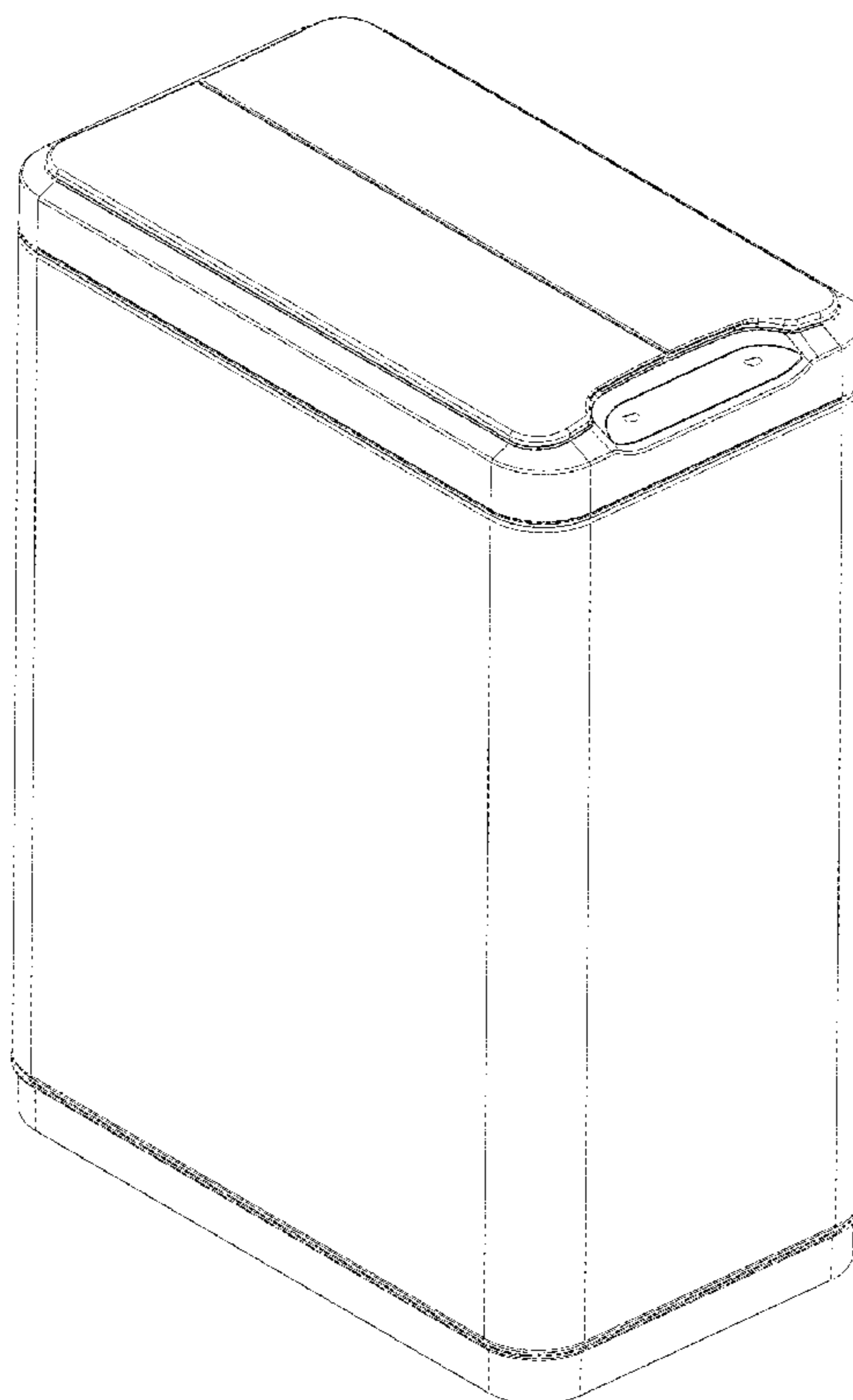
FIG. 3 is a rear view of a trash can of FIG. 1;

FIG. 4 is a left view of a trash can of FIG. 1;

FIG. 5 is a right view of a trash can of FIG. 1; and,

FIG. 6 is a top view of a trash can of FIG. 1.

**1 Claim, 6 Drawing Sheets**



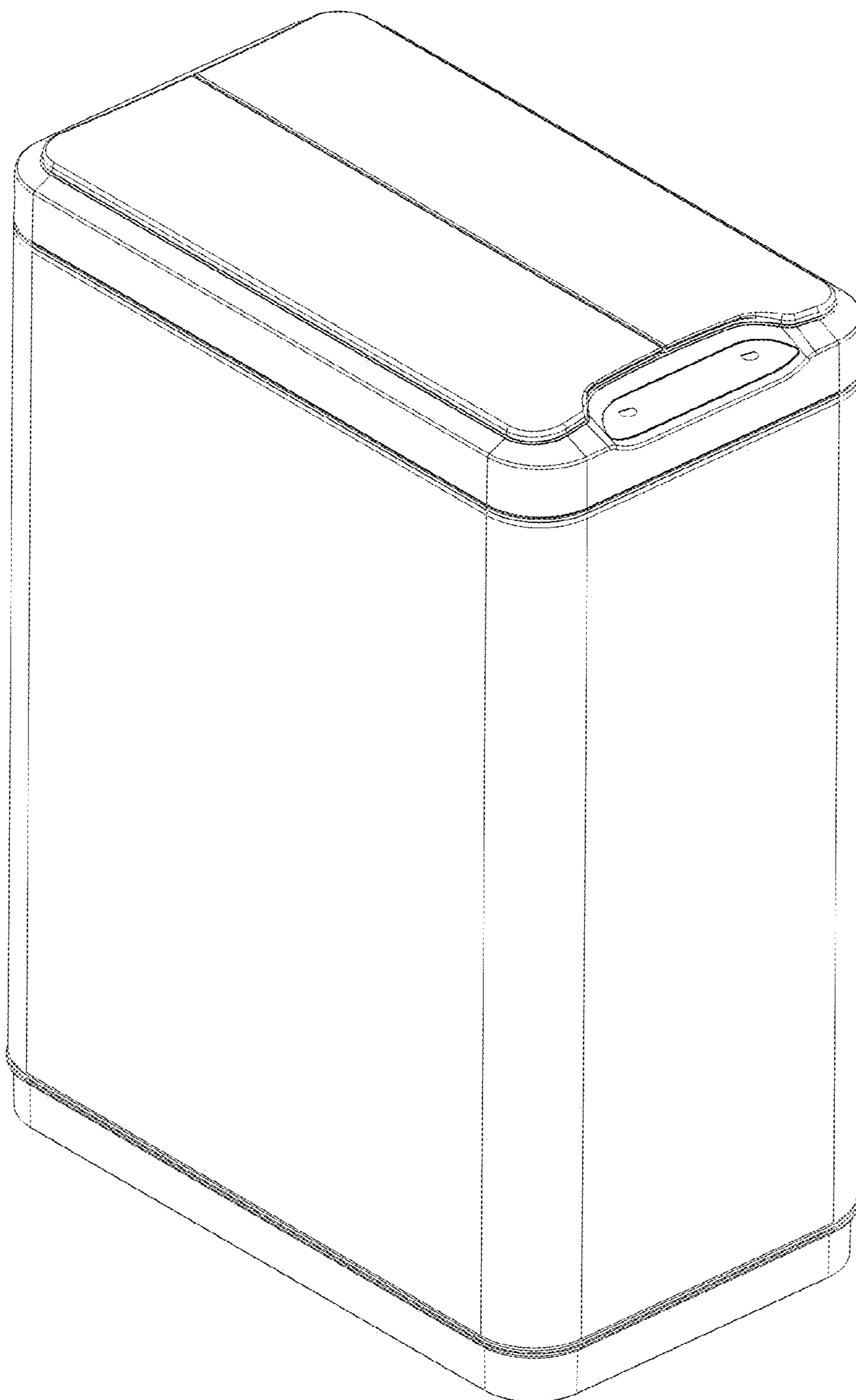


FIG. 1

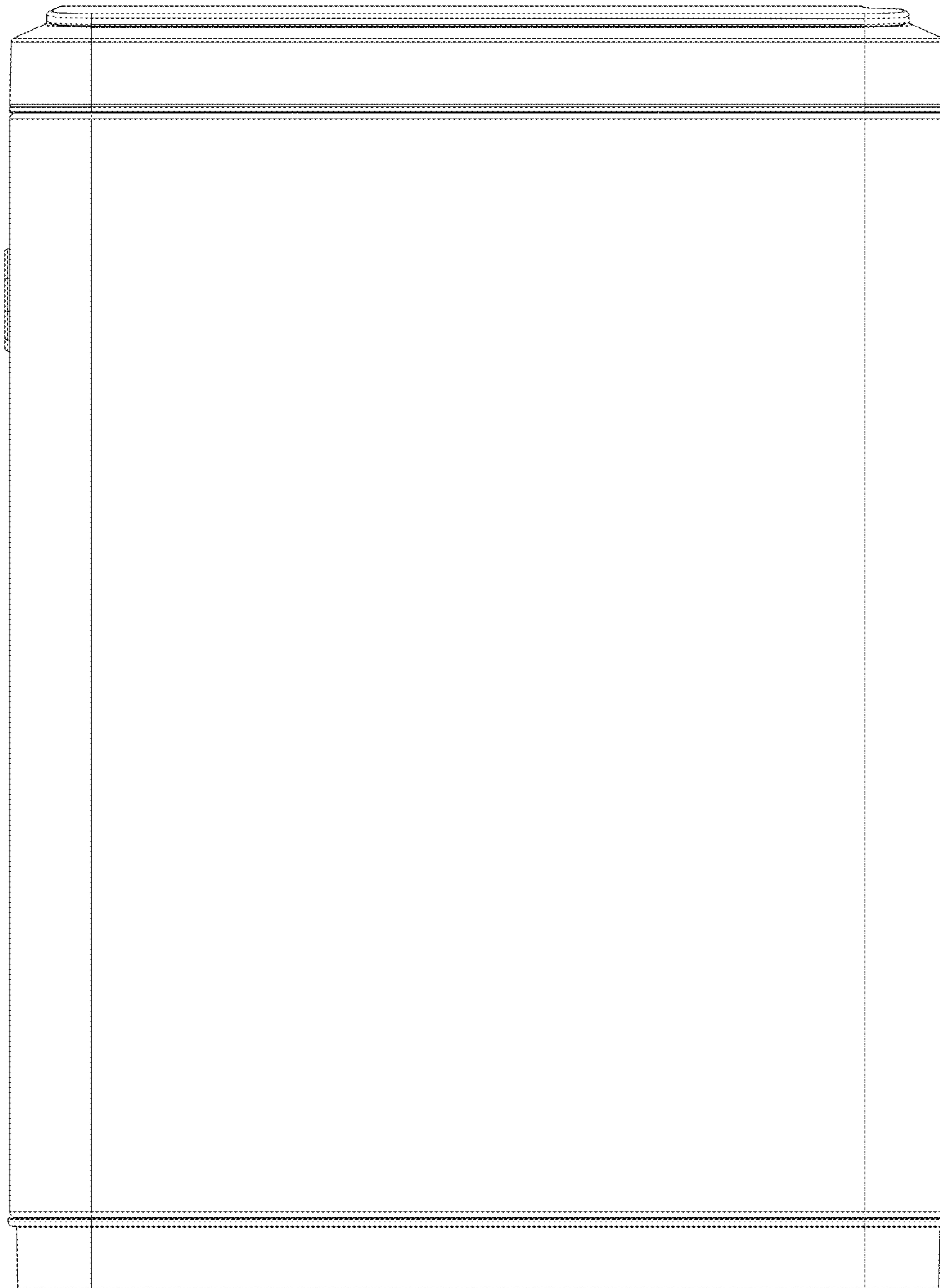


FIG. 2

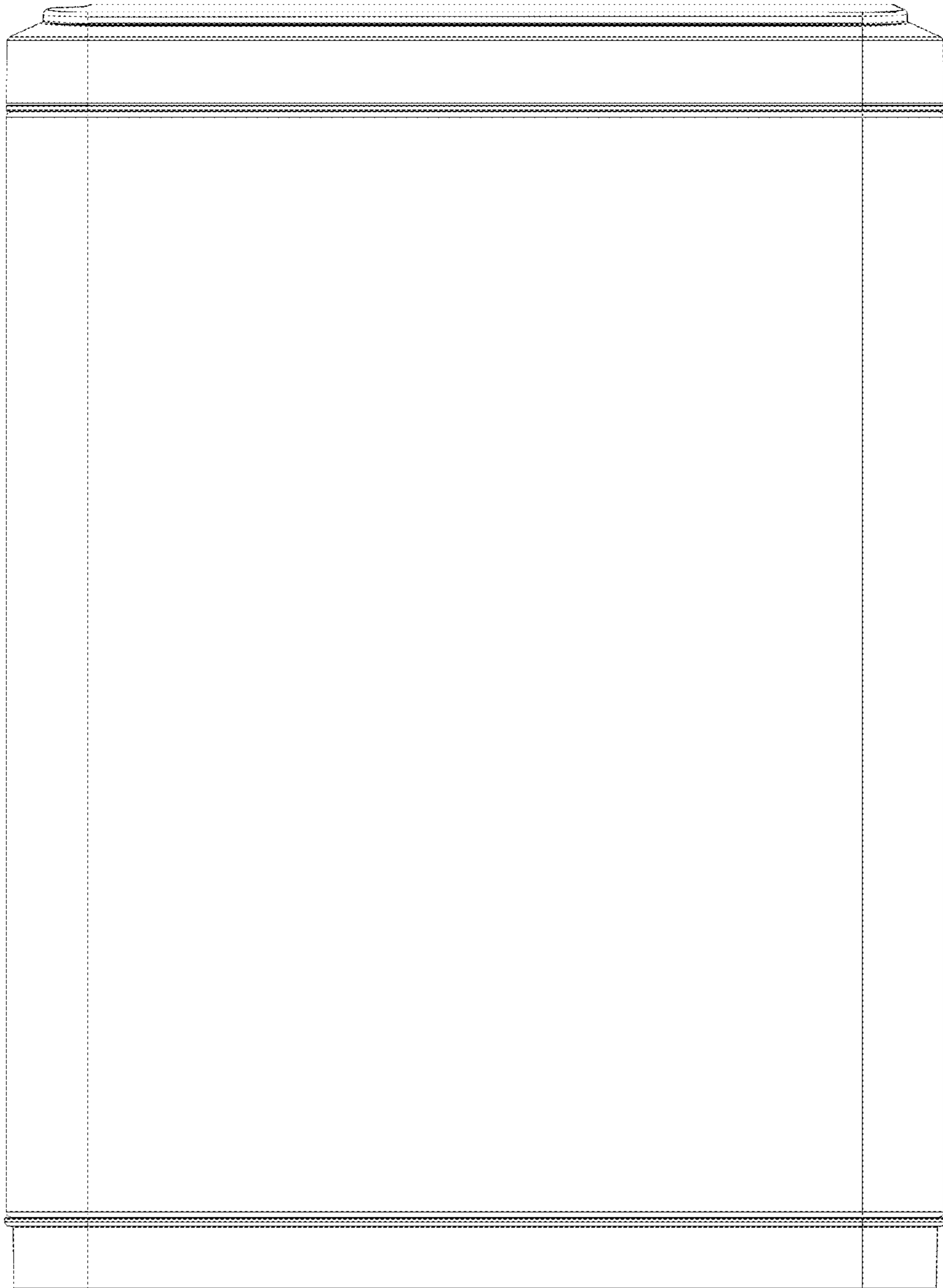


FIG. 3

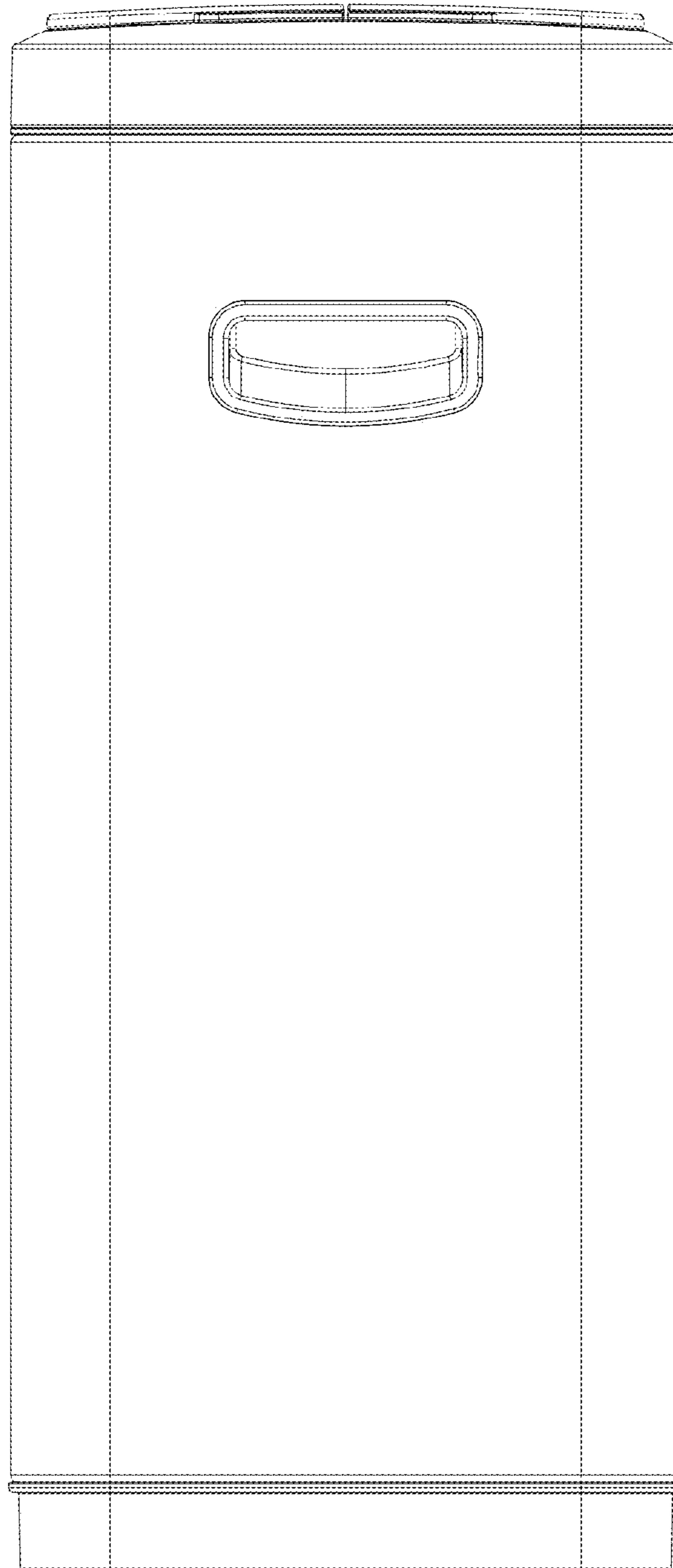


FIG. 4

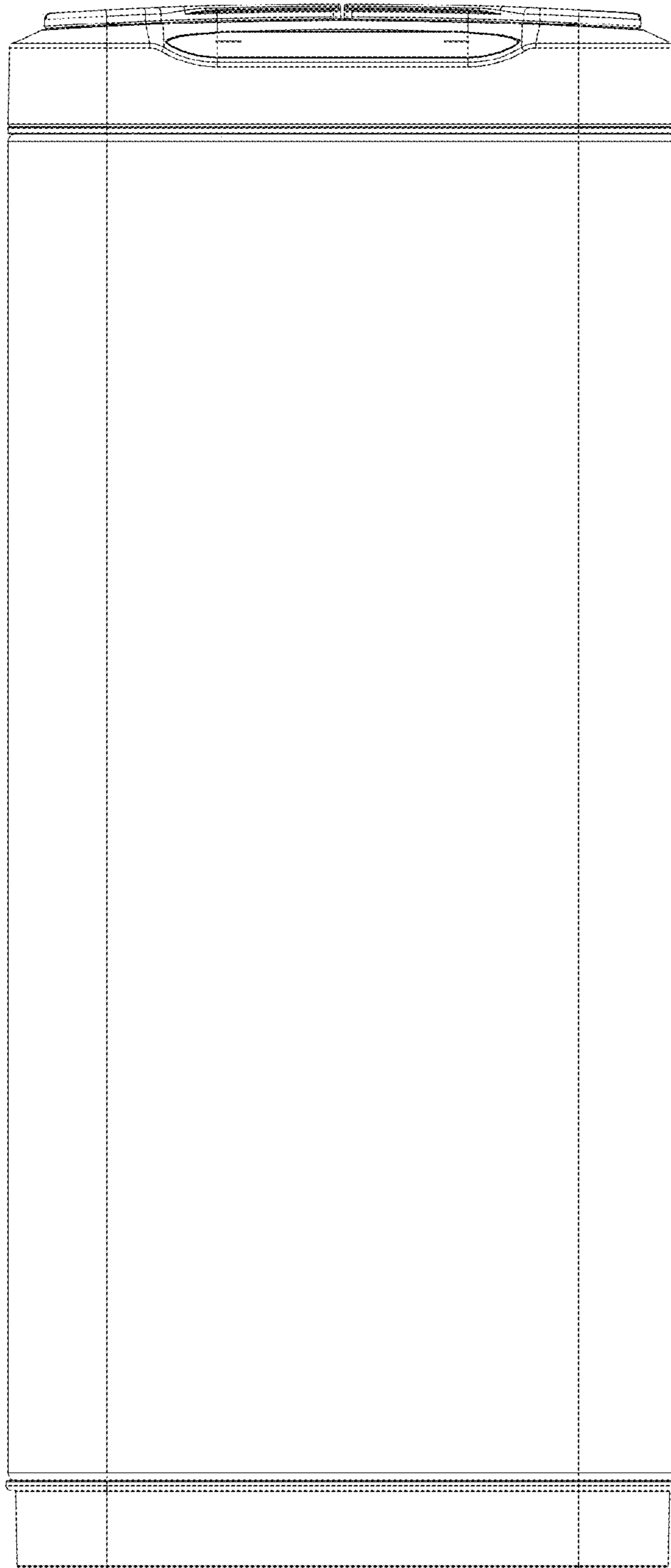


FIG. 5

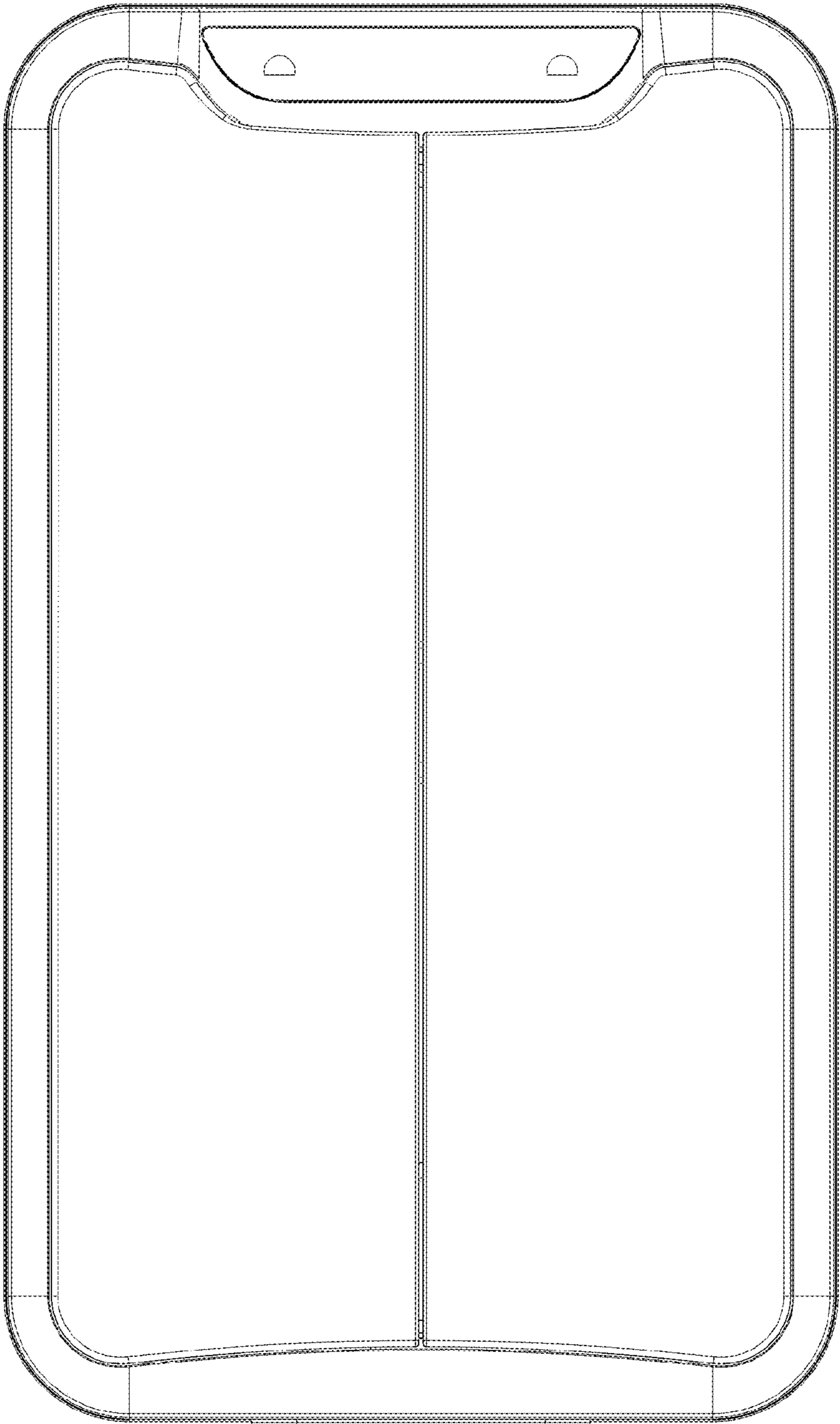


FIG. 6