



US00D762035S

(12) **United States Design Patent**
Cooper et al.

(10) **Patent No.:** **US D762,035 S**
(45) **Date of Patent:** **** Jul. 19, 2016**

(54) **WINE GLASS DRYER**

(71) Applicant: **Polder Housewares, Inc.**, Oxford, CT (US)

(72) Inventors: **Kerry Cooper**, Pleasantville, NY (US);
Jennifer Plant, White Plains, NY (US)

(73) Assignee: **Polder Products, LLC**, Oxford, CT (US)

(**) Term: **14 Years**

(21) Appl. No.: **29/515,697**

(22) Filed: **Jan. 26, 2015**

(51) **LOC (10) Cl.** **07-05**

(52) **U.S. Cl.**
USPC **D32/55**

(58) **Field of Classification Search**
USPC D32/55, 276, 3; D6/510, 525; D30/133;
211/41.5, 41.4, 41.3, 41.8; 361/679.4;
312/311, 333, 334.4; D7/354, 629
CPC A47J 47/20; A47J 2201/00; A47J 47/00;
B65D 35/02; B65D 35/22; B65D 35/56
See application file for complete search history.

(56) **References Cited**

U.S. PATENT DOCUMENTS

4,589,556 A * 5/1986 Peretz A47L 15/505
211/41.2
D383,276 S * 9/1997 Janney D32/58

D393,388 S * 4/1998 Chen D6/513
D518,936 S * 4/2006 Yang D32/55
D630,396 S * 1/2011 Yang D32/55
D634,909 S * 3/2011 Guthrie D32/55
D670,058 S * 10/2012 Cooper D32/58
D687,610 S * 8/2013 Jonsson D32/55
D690,483 S * 9/2013 Renz D32/55
D699,413 S * 2/2014 Huang D32/55
D714,509 S * 9/2014 Thomas D32/55
D734,910 S * 7/2015 Ouyang D32/58
D739,628 S * 9/2015 Ouyang D32/58

* cited by examiner

Primary Examiner — Austin Murphy

(74) *Attorney, Agent, or Firm* — Duane Morris LLP

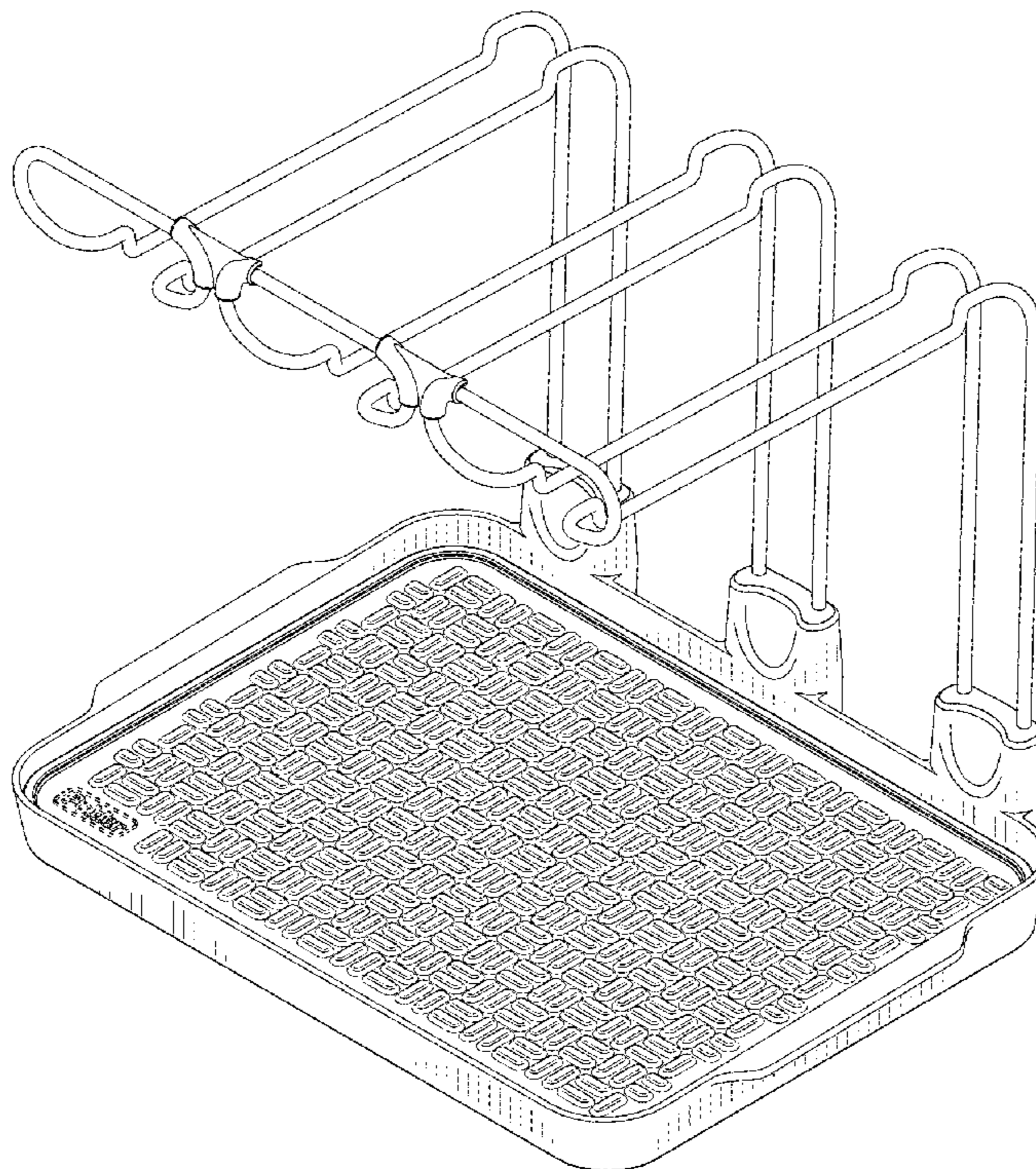
(57) **CLAIM**

The ornamental design for a wine glass dryer, as shown and described in the Figures.

DESCRIPTION

FIG. 1 is an isometric view of the wine glass dryer;
FIG. 2 is a front elevation view of the wine glass dryer;
FIG. 3 is a rear side view of the wine glass dryer;
FIG. 4 is a side view of the wine glass dryer;
FIG. 5 is a side view of the wine glass dryer from the opposite side illustrated in FIG. 3;
FIG. 6 is a top side view of the wine glass dryer; and,
FIG. 7 is a bottom side view of the wine glass dryer.
The broken line showing of structure is for illustrative purposes only, and forms no part of the claimed design.

1 Claim, 7 Drawing Sheets



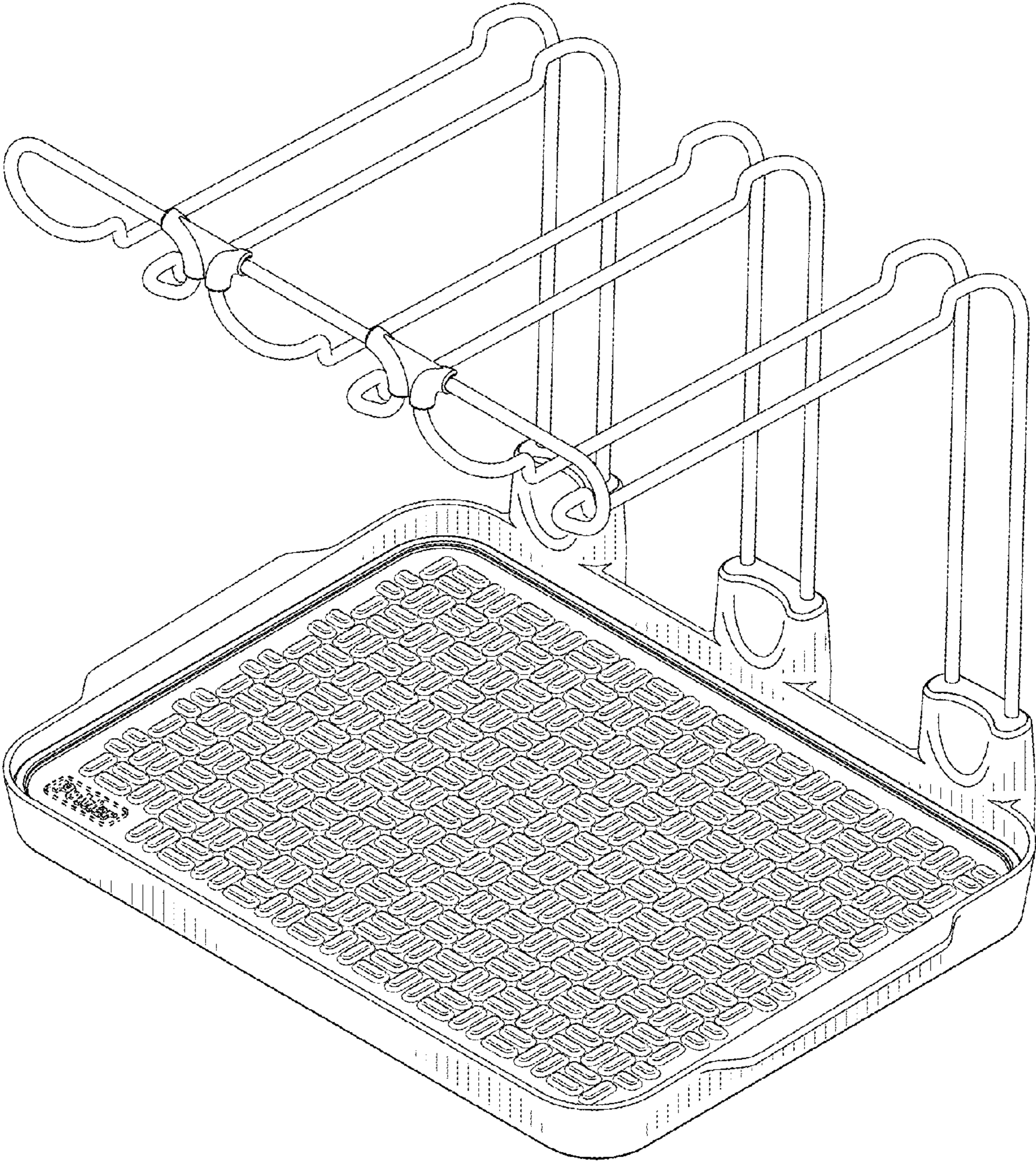


FIG. 1

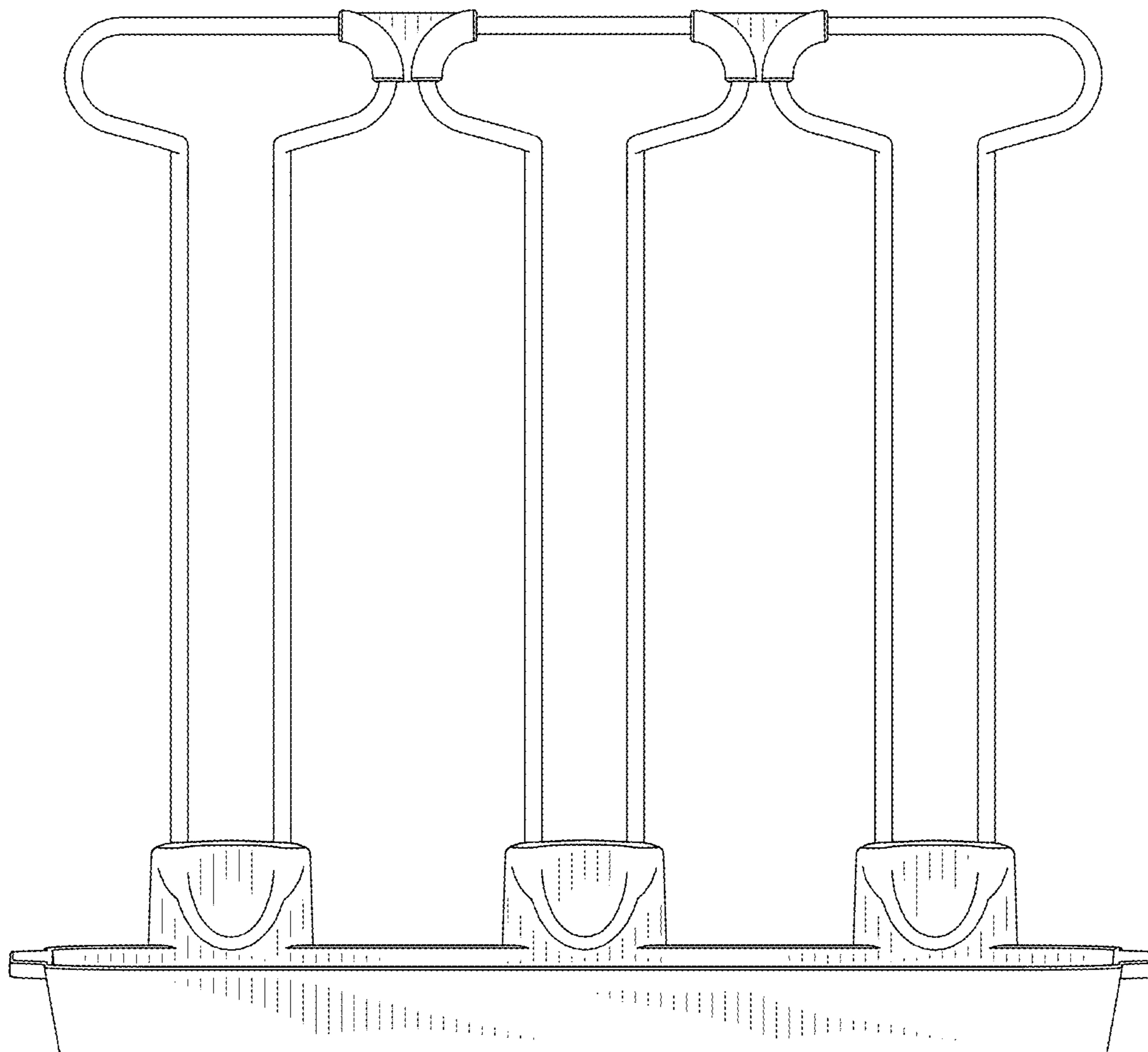


FIG. 2

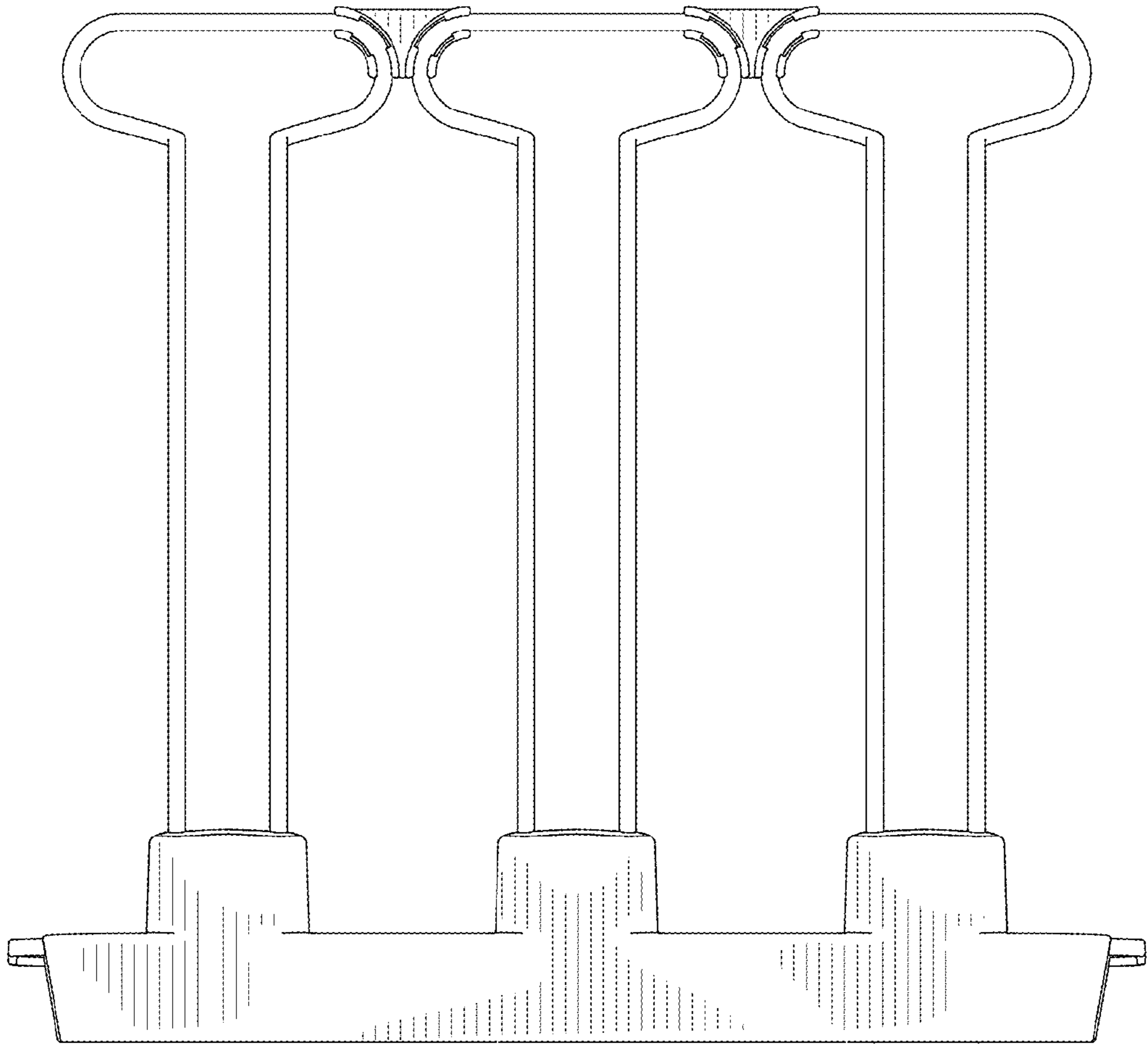


FIG. 3

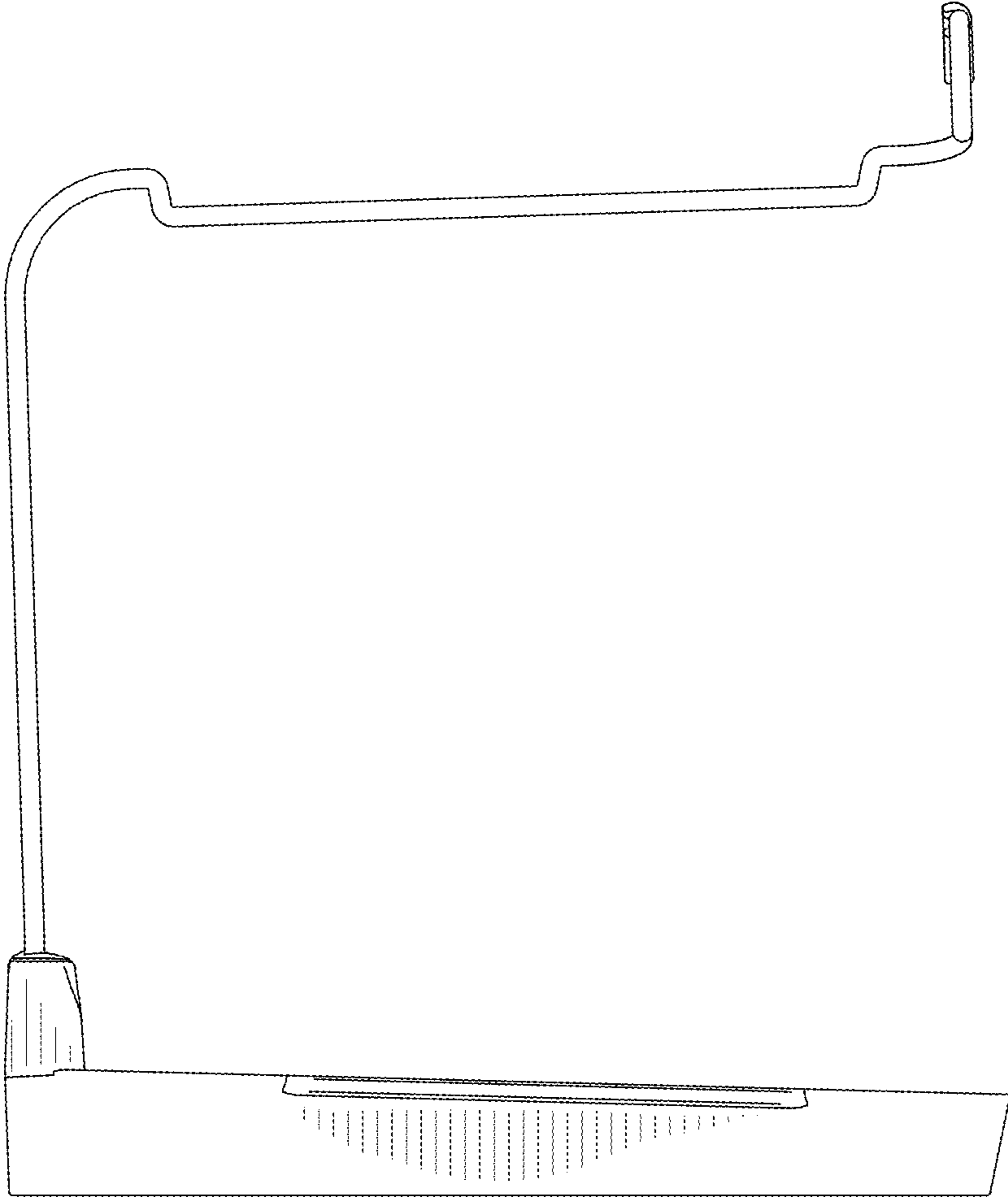


FIG. 4

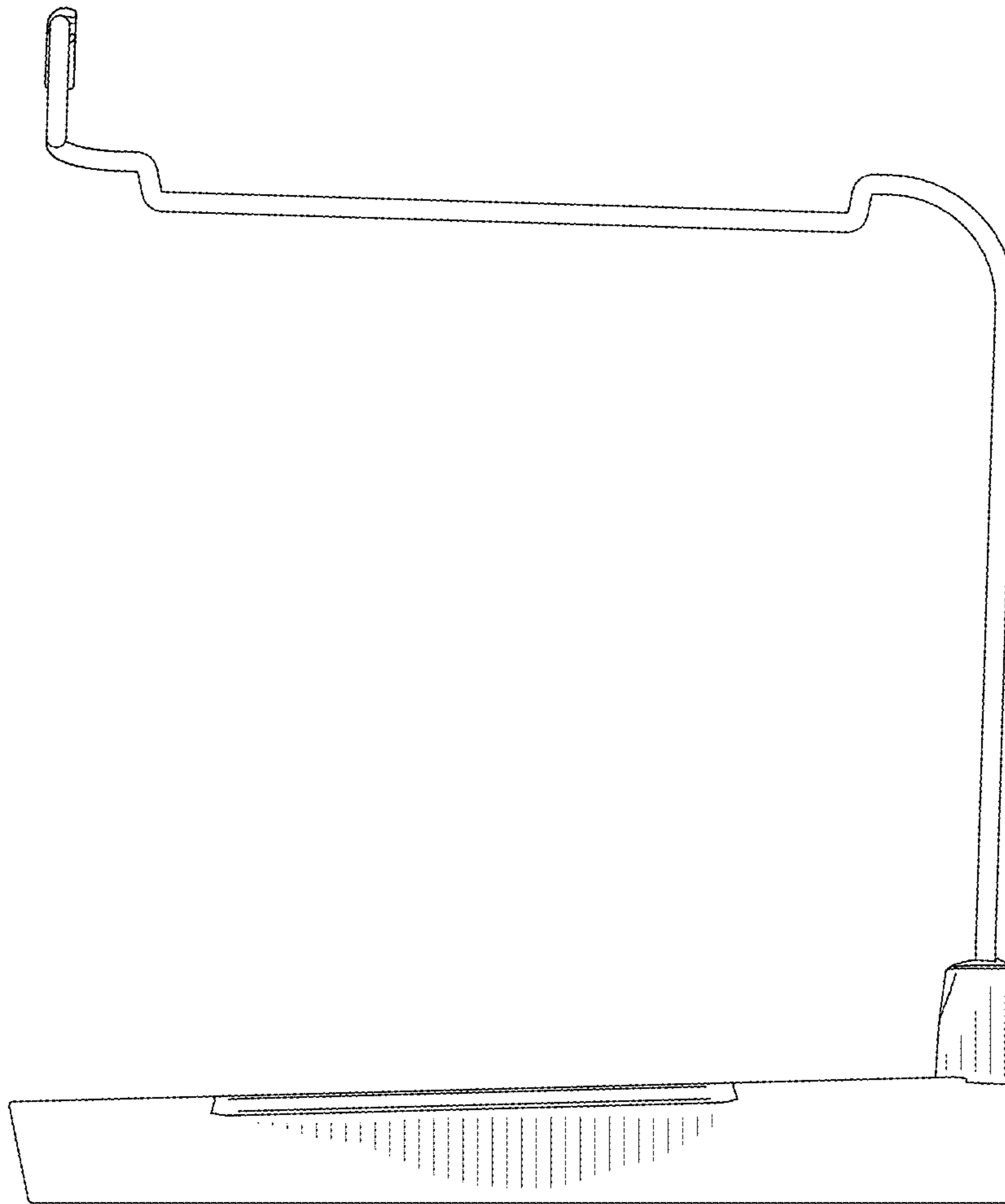


FIG. 5

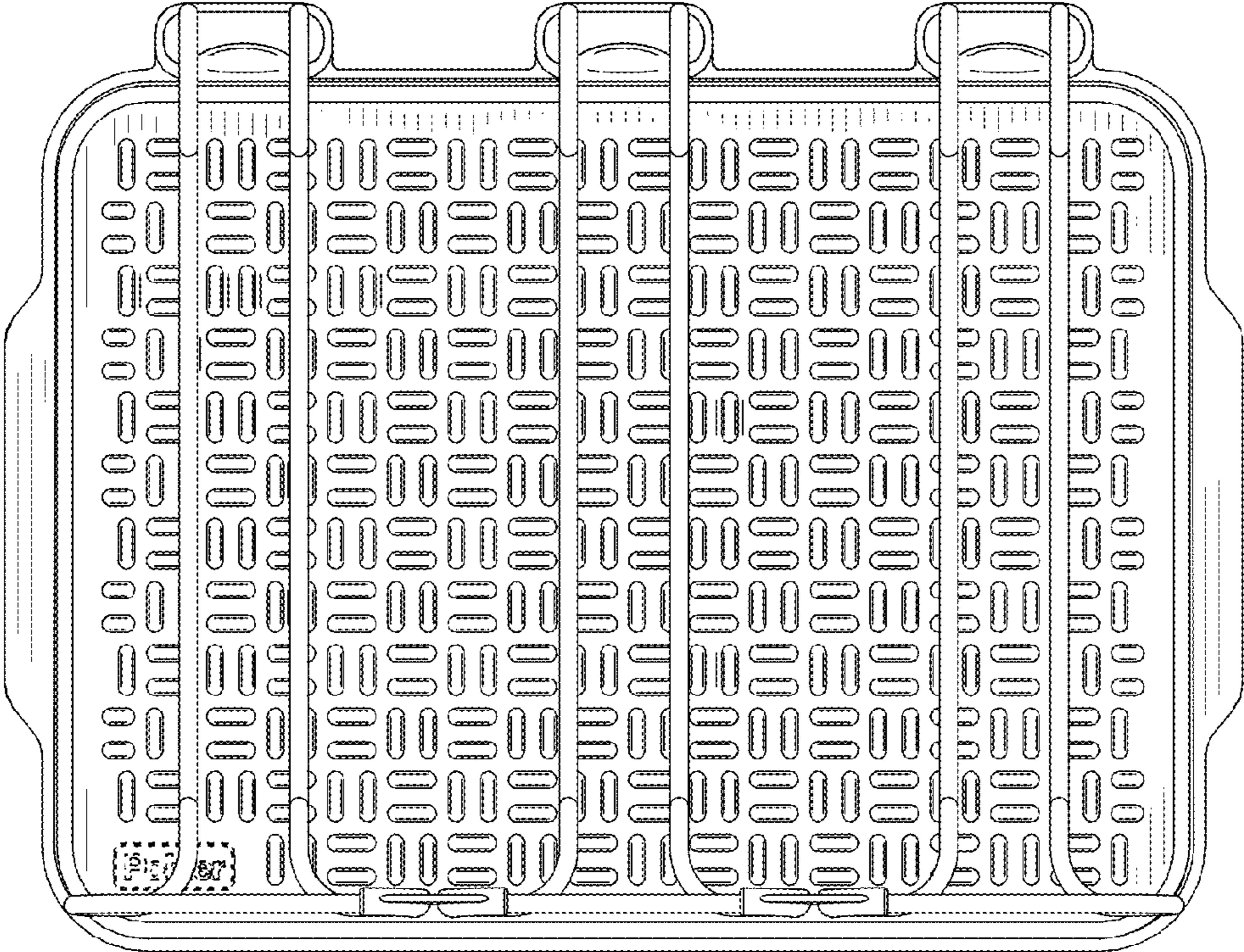


FIG. 6

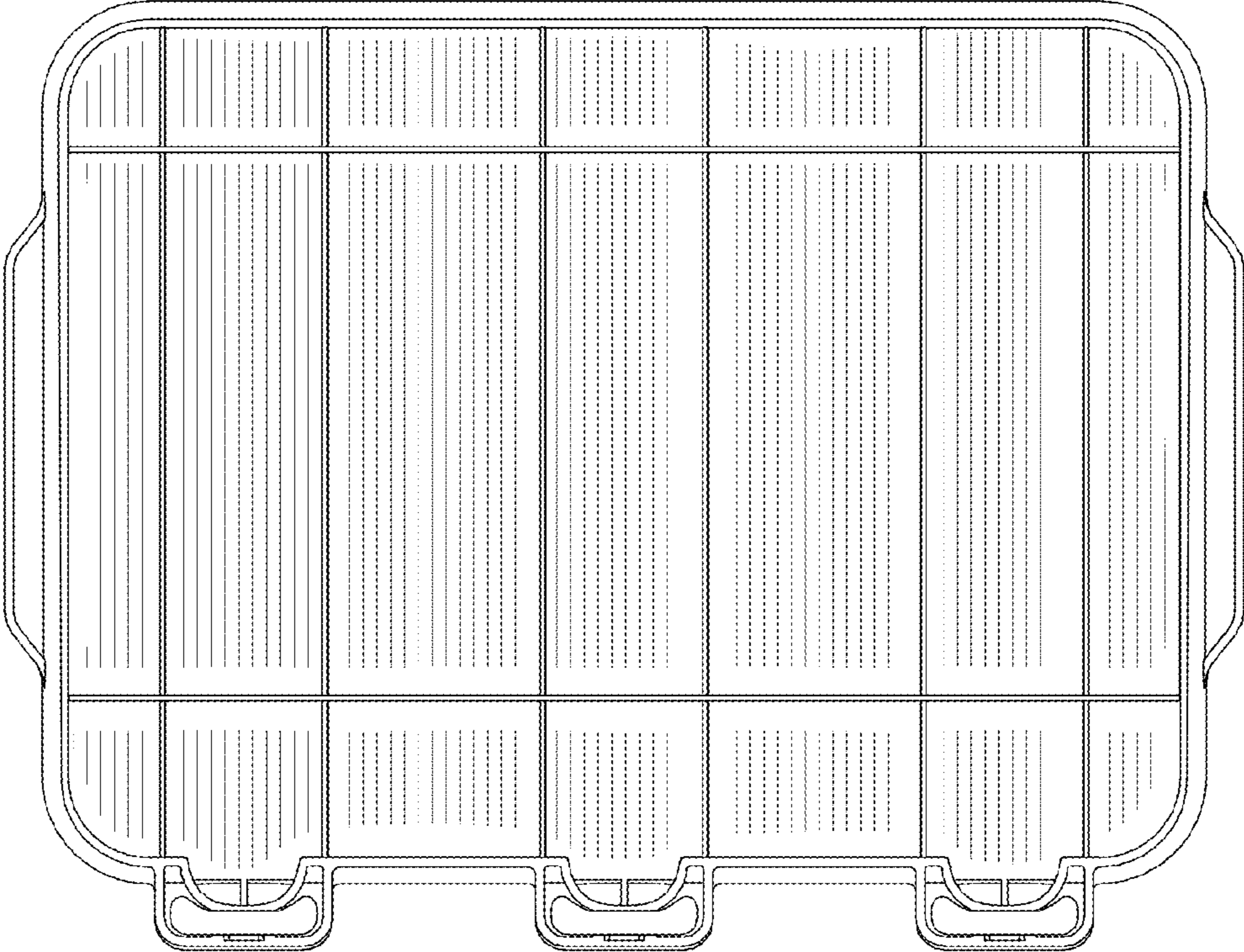


FIG. 7