

US00D762034S

(12) **United States Design Patent**  
**Reusser**

(10) **Patent No.:** **US D762,034 S**  
(45) **Date of Patent:** **\*\* Jul. 19, 2016**

- (54) **PAINT BUCKET HANGER**
- (71) Applicant: **Dennis W. Reusser**, Olathe, KS (US)
- (72) Inventor: **Dennis W. Reusser**, Olathe, KS (US)
- (\*\*) Term: **14 Years**
- (21) Appl. No.: **29/522,608**
- (22) Filed: **Apr. 1, 2015**
- (51) **LOC (10) Cl.** ..... **07-07**
- (52) **U.S. Cl.**  
USPC ..... **D32/54**
- (58) **Field of Classification Search**  
USPC ..... D32/53, 53.1, 54; 248/210, 211  
CPC ..... E06C 7/14  
See application file for complete search history.

6,474,607 B1 \* 11/2002 Wilson ..... E06C 7/143  
182/129  
D615,264 S \* 5/2010 Yon ..... D32/54  
7,789,358 B1 \* 9/2010 Adams ..... E06C 7/146  
248/211

\* cited by examiner

*Primary Examiner* — Robin V Webster  
(74) *Attorney, Agent, or Firm* — Erickson Kernell IP, LLC;  
Mark C. Young

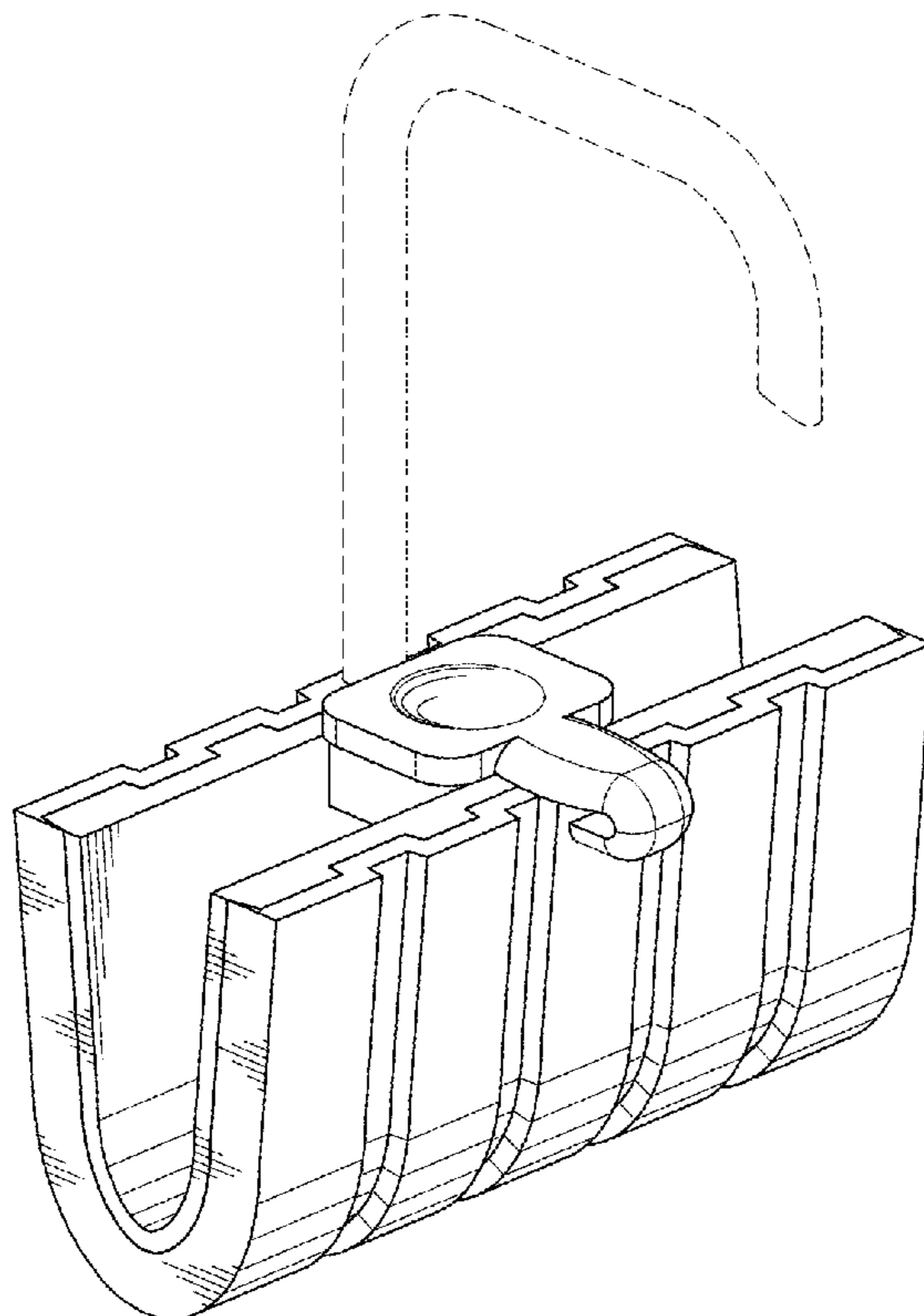
(57) **CLAIM**  
The ornamental design for a paint bucket hanger, as shown and described.

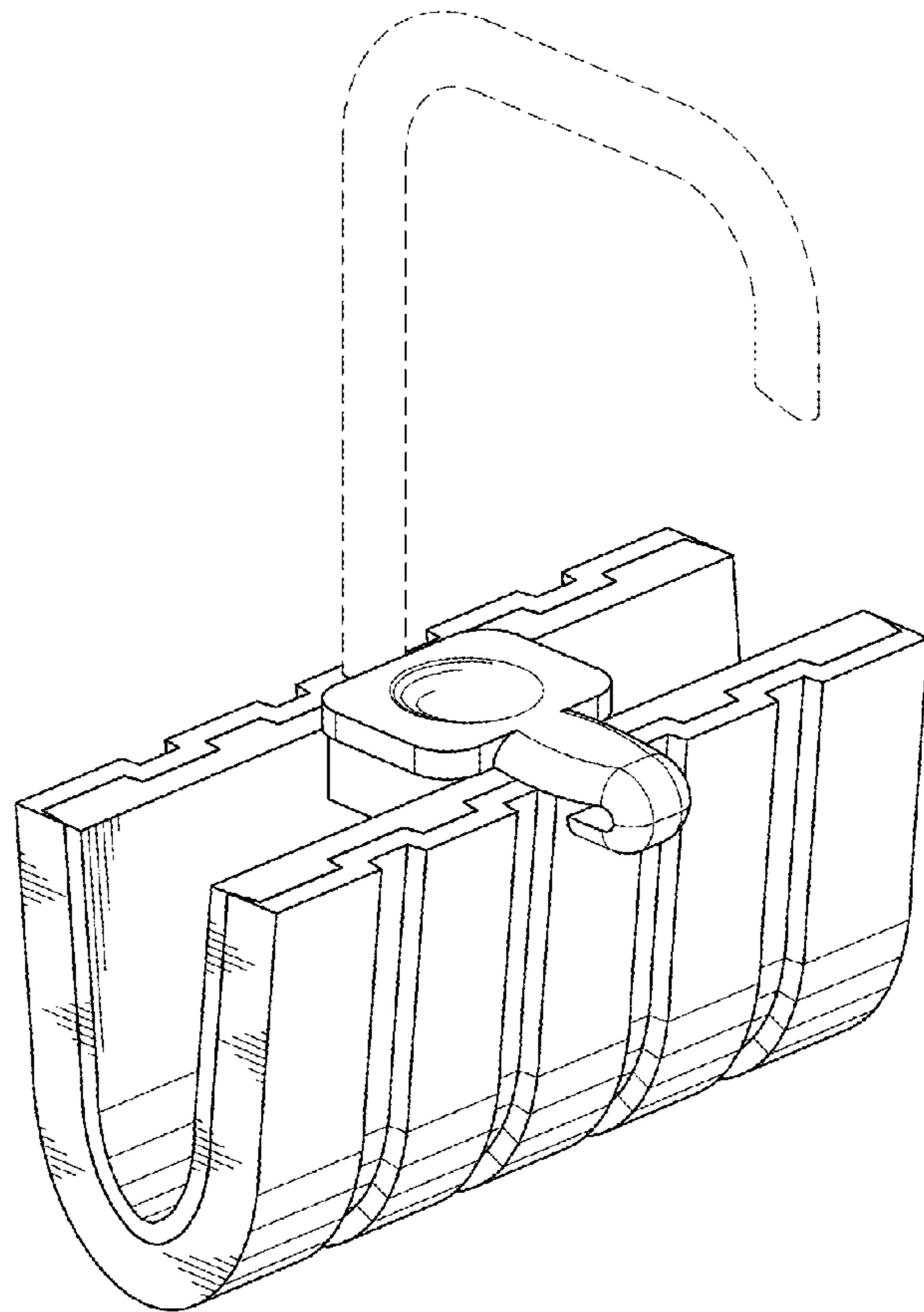
**DESCRIPTION**

FIG. 1 is a front perspective view of the paint bucket hanger; FIG. 2 is a top plan view of the paint bucket hanger of FIG. 1; FIG. 3 is a bottom view of the paint bucket hanger of FIG. 1; FIG. 4 is a front view of the paint bucket hanger of FIG. 1; FIG. 5 is a back view of the paint bucket hanger of FIG. 1; FIG. 6 is a left side view of the paint bucket hanger is symmetrical to the view shown in FIG. 1; and, FIG. 7 is a right side view of the paint bucket hanger of FIG. 1.  
The broken line showing of a hook is included for the purpose of illustrating and forms no part of the claimed design.

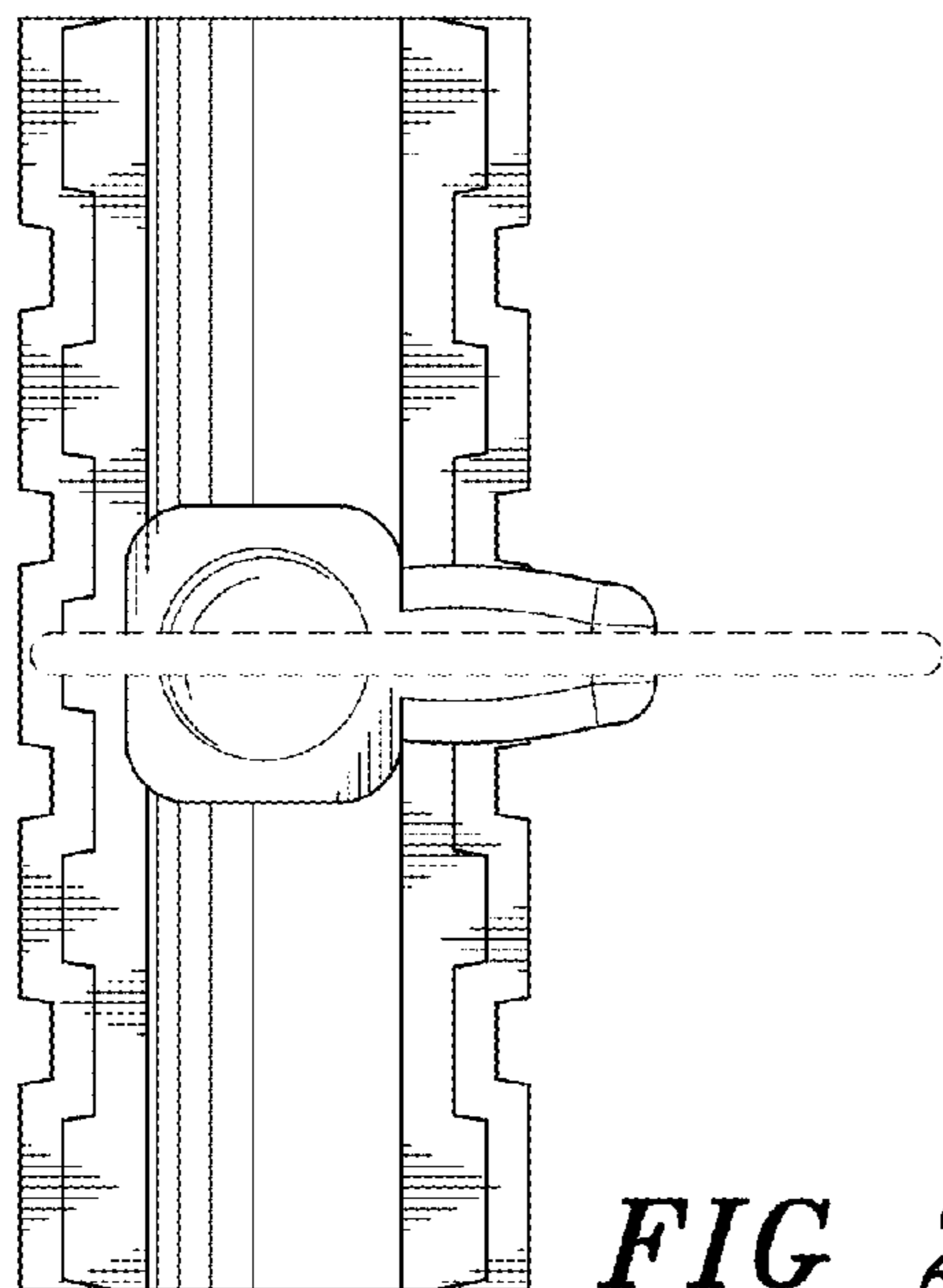
- (56) **References Cited**  
U.S. PATENT DOCUMENTS  
3,313,507 A \* 4/1967 Belli ..... B44D 3/14  
248/211  
D312,158 S \* 11/1990 Lund ..... D32/53  
D316,809 S \* 5/1991 Carson ..... 248/211  
D335,009 S \* 4/1993 Kunkel ..... 248/211  
5,497,921 A \* 3/1996 Dancyger ..... A45F 5/02  
224/148.6

**1 Claim, 3 Drawing Sheets**

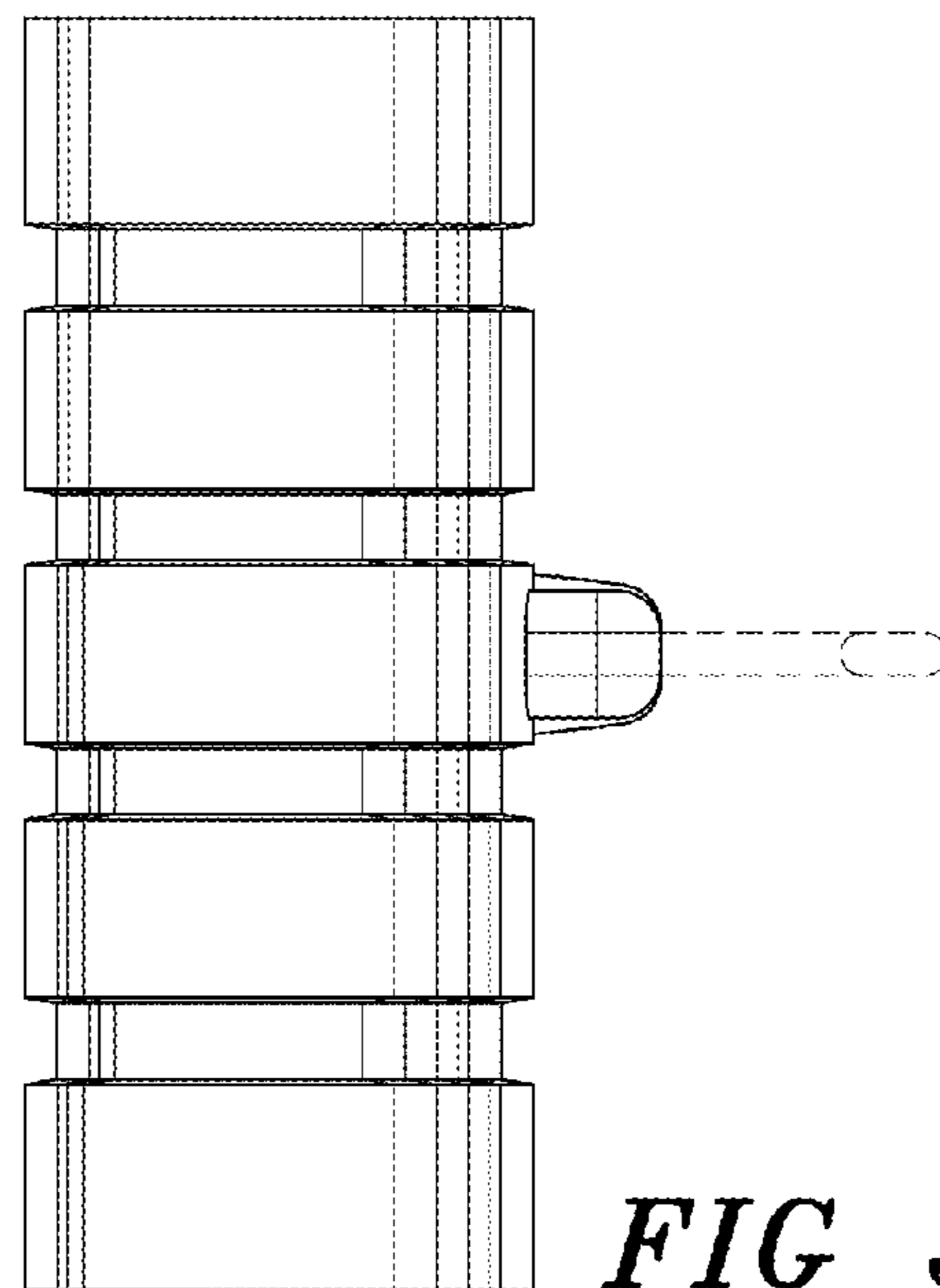




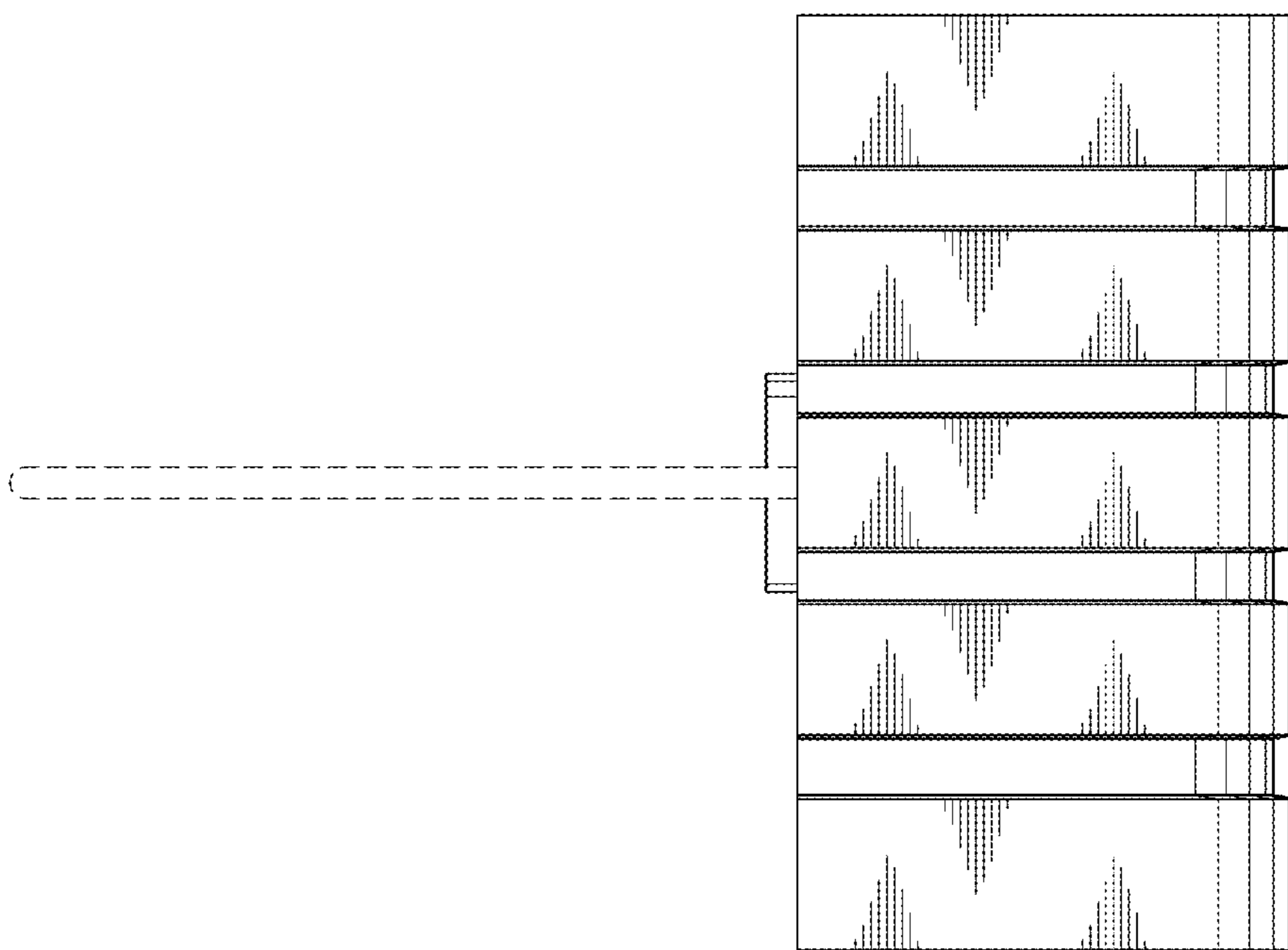
*FIG 1*



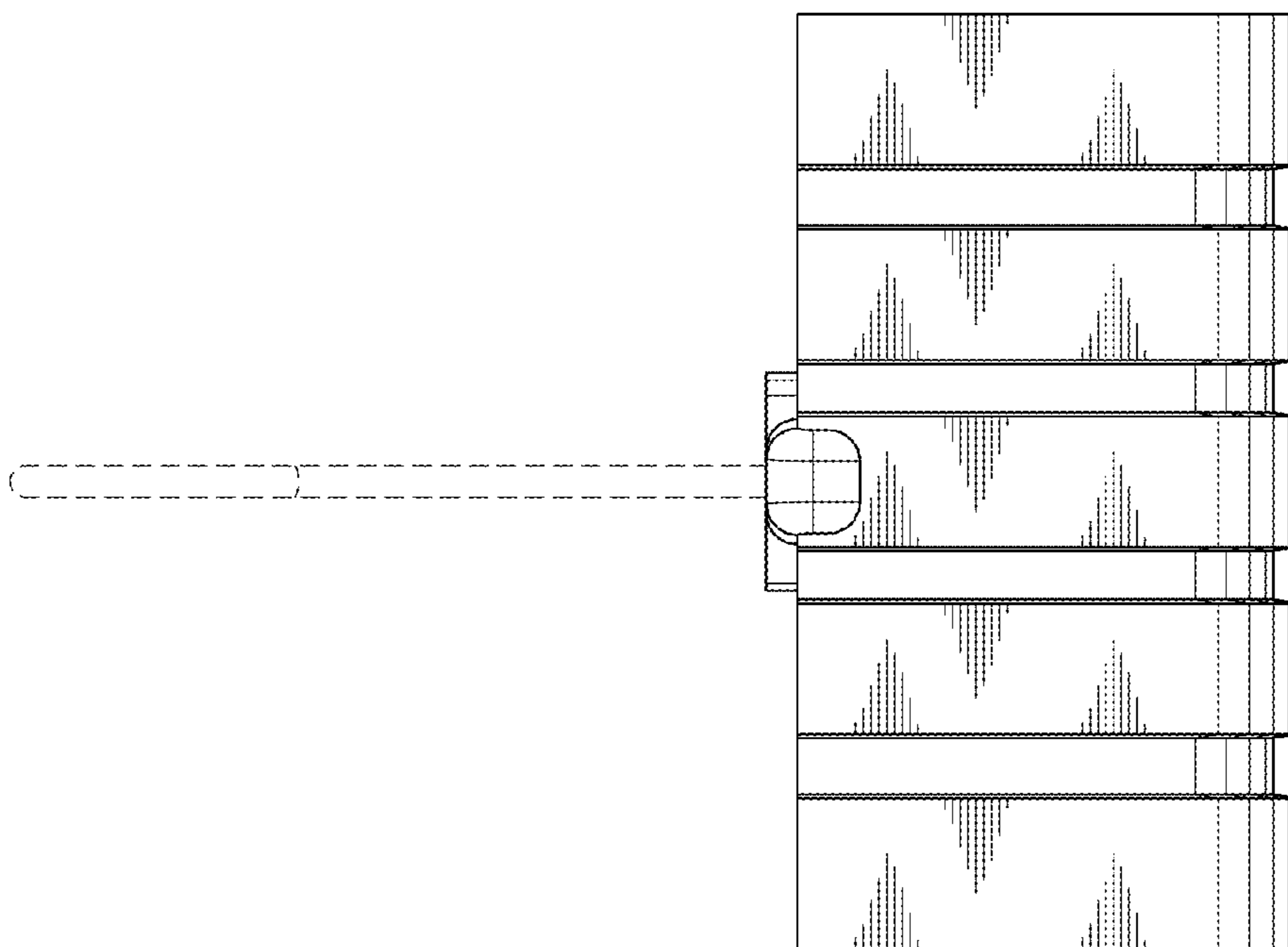
*FIG 2*



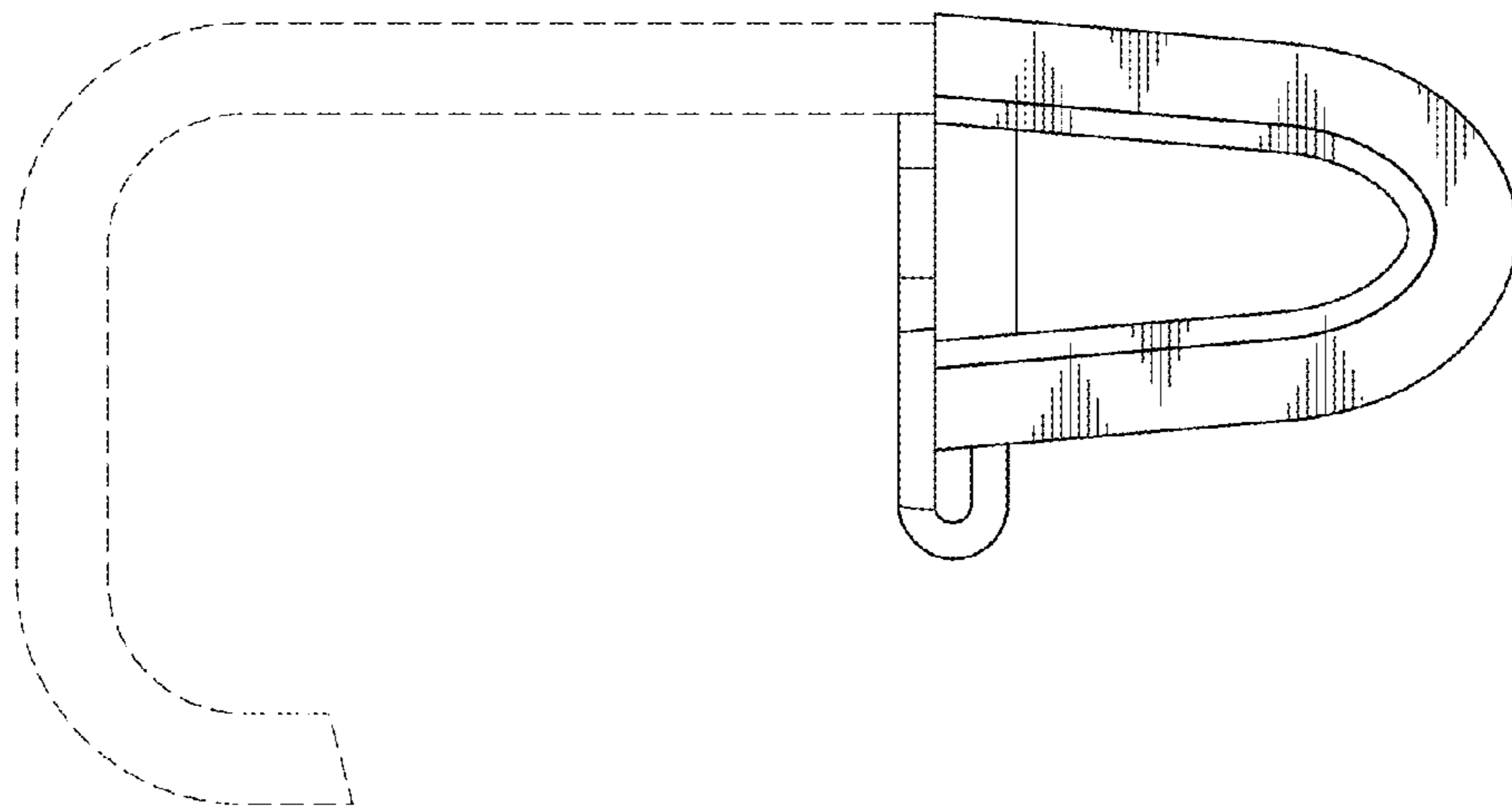
*FIG 3*



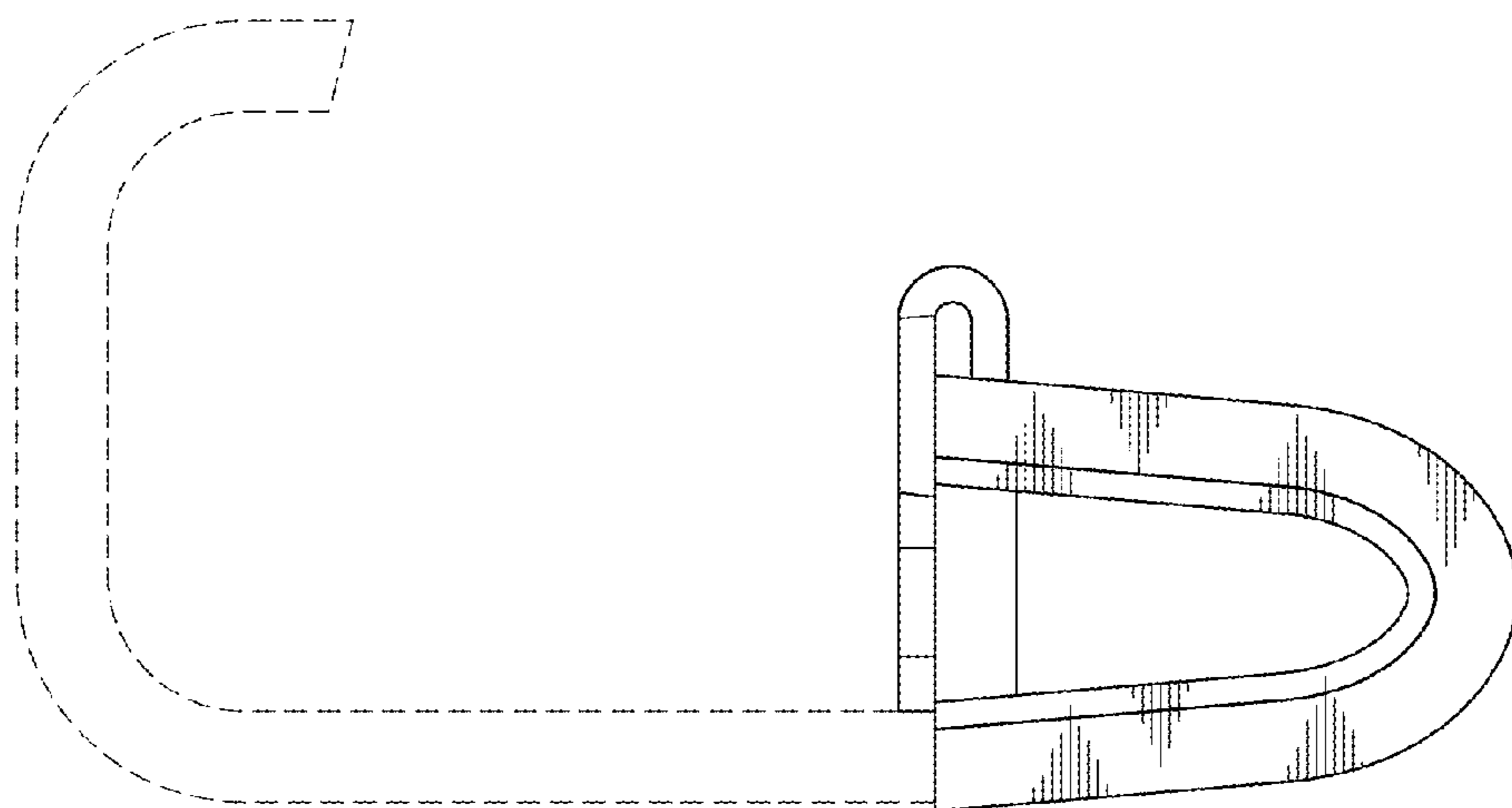
*FIG 5*



*FIG 4*



*FIG 6*



*FIG 7*