



US00D762031S

(12) **United States Design Patent**
Niedzwecki

(10) **Patent No.:** **US D762,031 S**
(45) **Date of Patent:** **** Jul. 19, 2016**

(54) **NOZZLE**

(71) Applicant: **SharkNinja Operating LLC**, Newton, MA (US)

(72) Inventor: **Scott Benjamin Niedzwecki**, Walpole, MA (US)

(73) Assignee: **SharkNinja Operating LLC**, Newton, MA (US)

(**) Term: **14 Years**

(21) Appl. No.: **29/498,929**

(22) Filed: **Aug. 8, 2014**

(51) **LOC (10) Cl.** **15-05**

(52) **U.S. Cl.**
USPC **D32/32**

(58) **Field of Classification Search**
USPC D32/22, 31-34
CPC A47L 9/02; A47L 9/06; A47L 9/325;
A47L 9/04; A47L 5/34; A47L 11/4044;
A47L 7/0009
See application file for complete search history.

(56) **References Cited**

U.S. PATENT DOCUMENTS

D381,780	S	*	7/1997	Summers	D32/33
D418,267	S	*	12/1999	Lin	D32/32
6,101,669	A		8/2000	Martin et al.		
D440,019	S	*	4/2001	Mehaffey	D32/32
D577,163	S		9/2008	Dyson et al.		
D581,609	S		11/2008	Conrad et al.		
D585,608	S		1/2009	Conrad et al.		
D594,612	S	*	6/2009	Umeda	D32/32
D619,315	S	*	7/2010	Ayers	D32/32

7,931,716	B2		4/2011	Oakham		
D655,468	S	*	3/2012	Karsan	D32/33
8,146,201	B2		4/2012	Conrad		
D668,010	S		9/2012	Stickney et al.		
D668,823	S		10/2012	Stickney et al.		
D686,379	S	*	7/2013	Kim	D32/32
D703,402	S	*	4/2014	Thorne	D32/32
8,689,395	B2		4/2014	Conrad		
D738,584	S	*	9/2015	Niedzwecki	D32/18
2010/0229328	A1		9/2010	Conrad		

* cited by examiner

Primary Examiner — Ruth McInroy

(74) *Attorney, Agent, or Firm* — Grossman Tucker Perreault & Pflieger, PLLIC

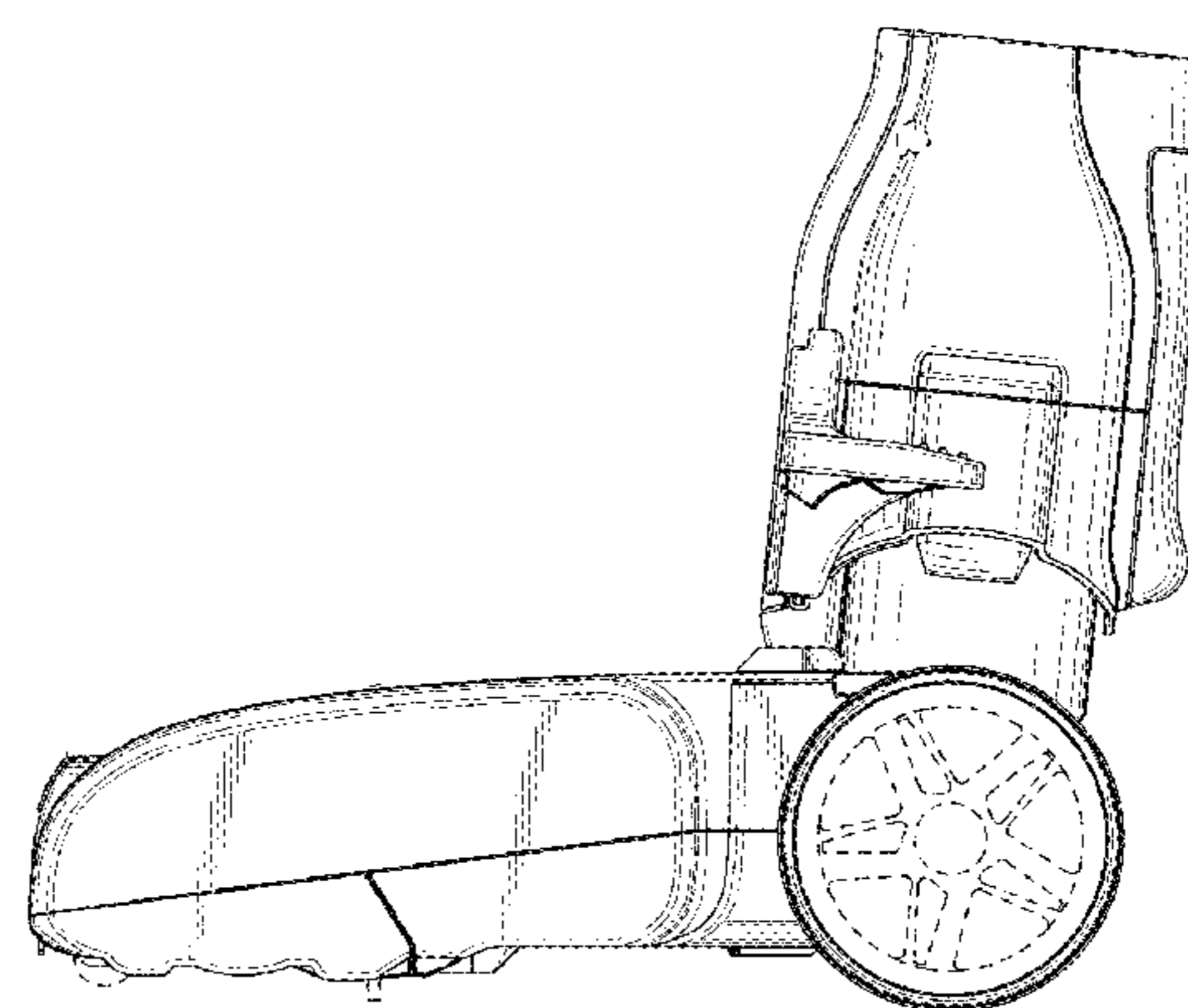
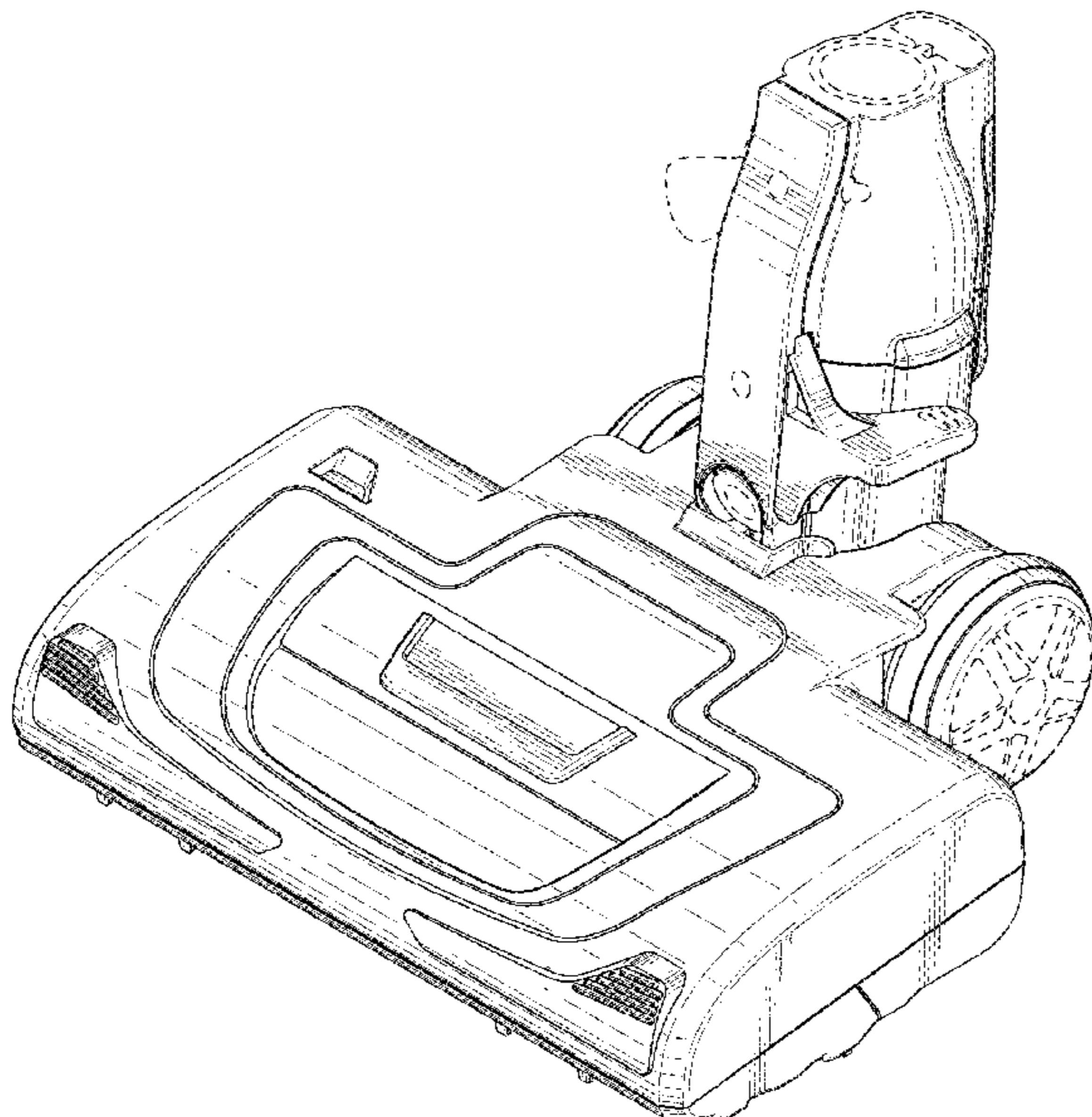
(57) **CLAIM**

I claim the ornamental design for a nozzle, as shown and described.

DESCRIPTION

FIG. 1 is an elevational perspective view of a nozzle in accordance with my design;
 FIG. 2 is a top view of the nozzle in accordance with my design;
 FIG. 3 is a bottom view of the nozzle in accordance with my design;
 FIG. 4 is a front view of the nozzle in accordance with my design;
 FIG. 5 is a rear view of the nozzle in accordance with my design;
 FIG. 6 is a first side view of the nozzle in accordance with my design; and,
 FIG. 7 is a second side view of the nozzle in accordance with my design.

1 Claim, 7 Drawing Sheets



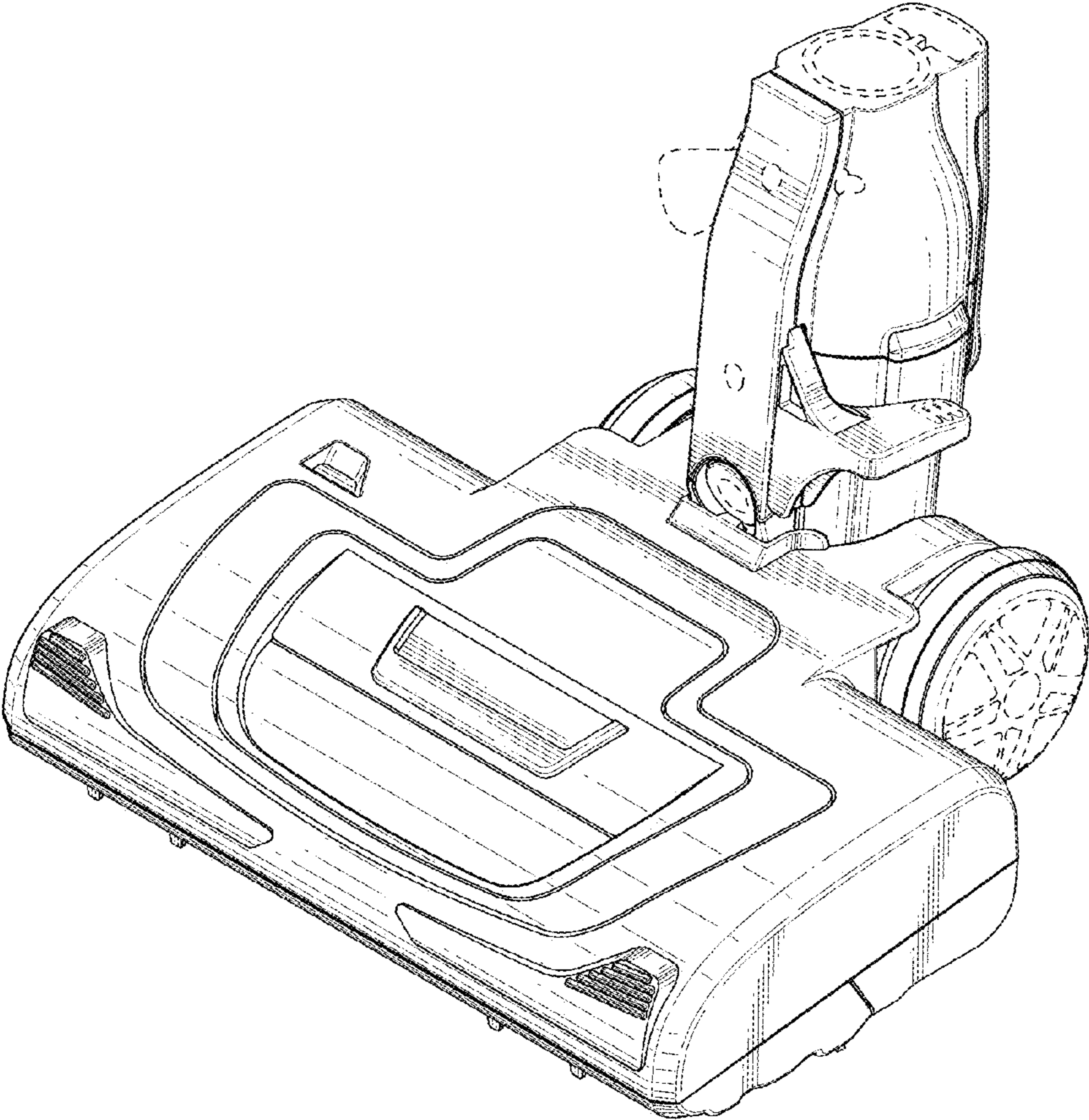


FIG. 1

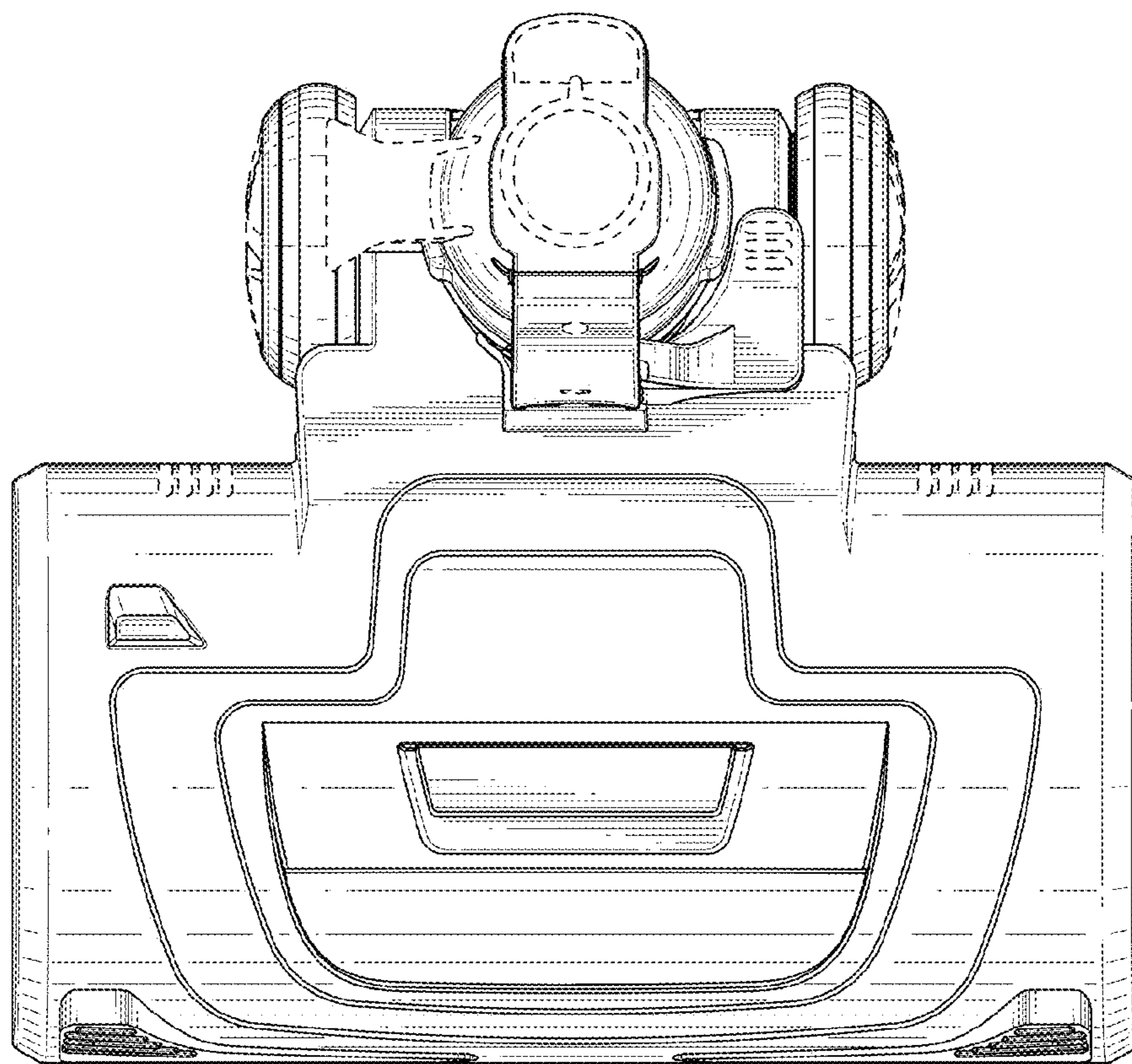


FIG. 2

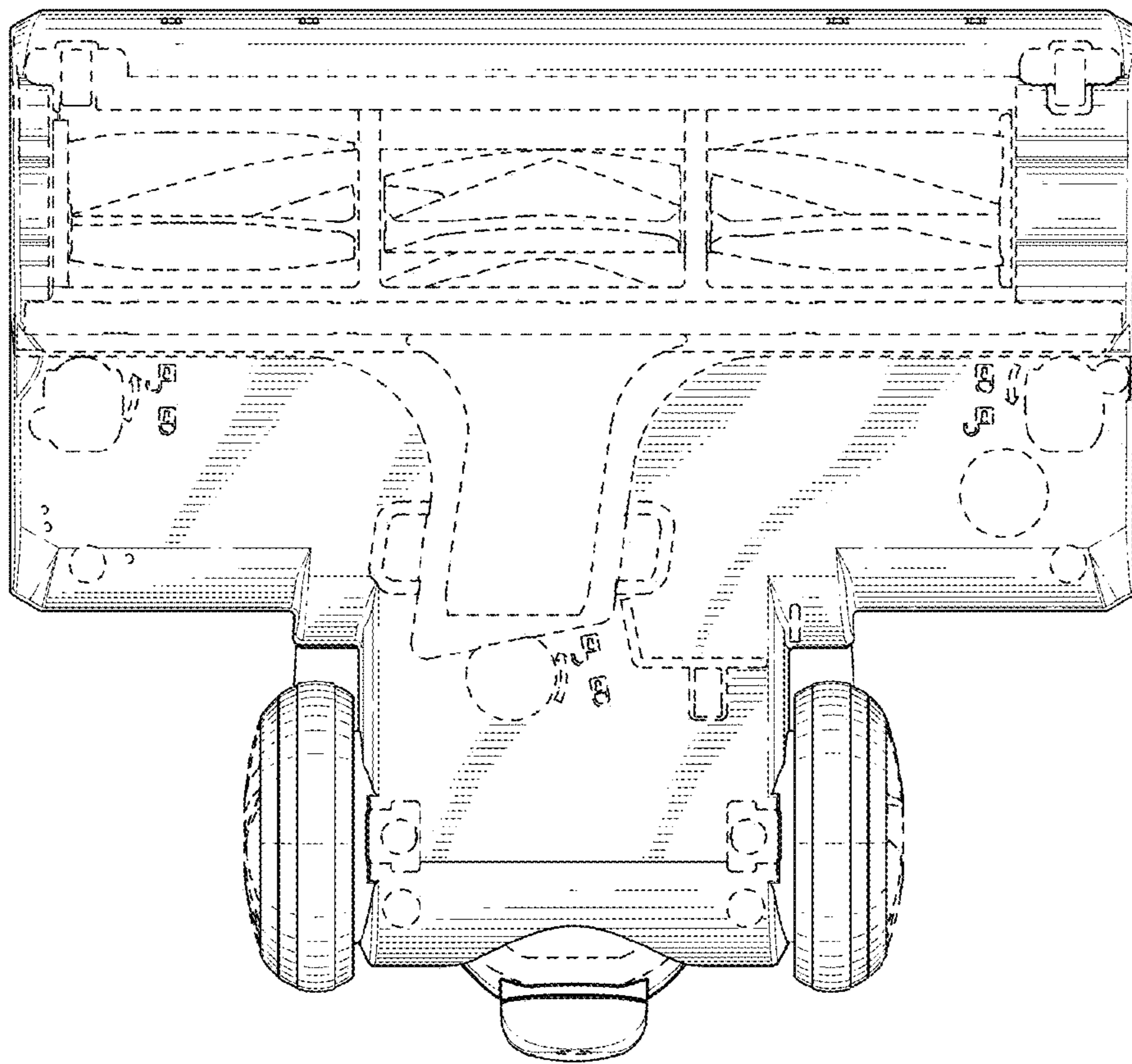


FIG. 3

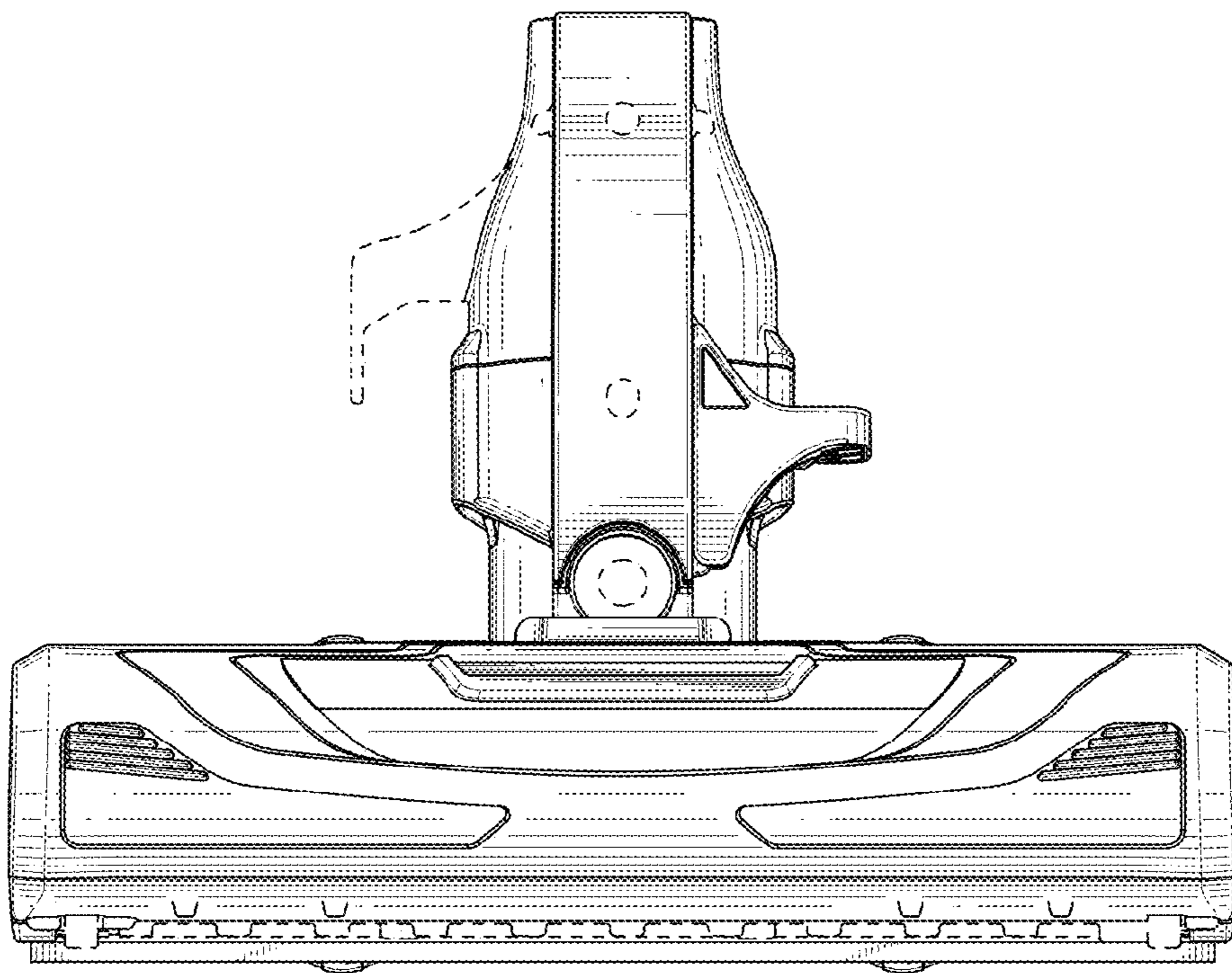


FIG. 4

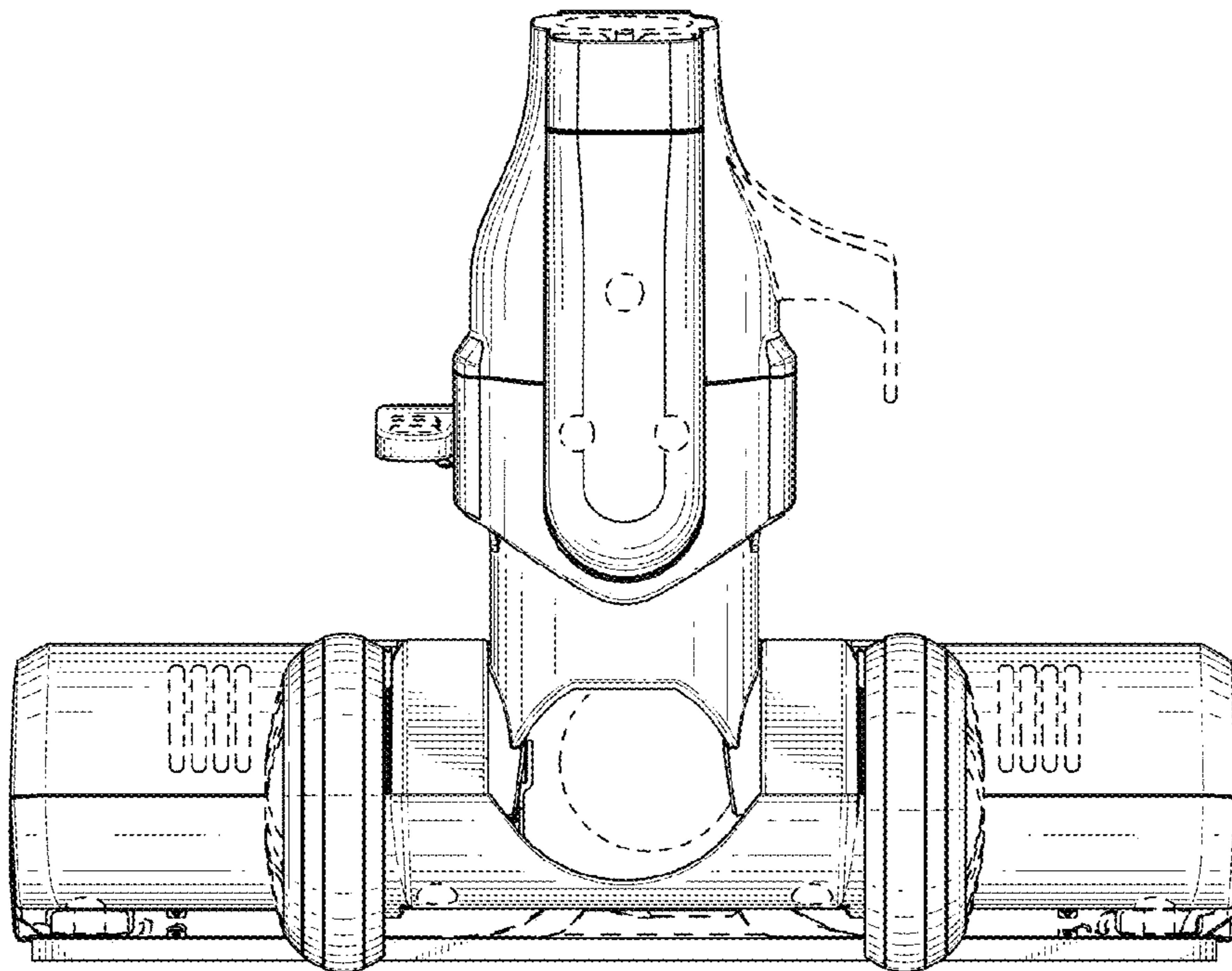


FIG. 5

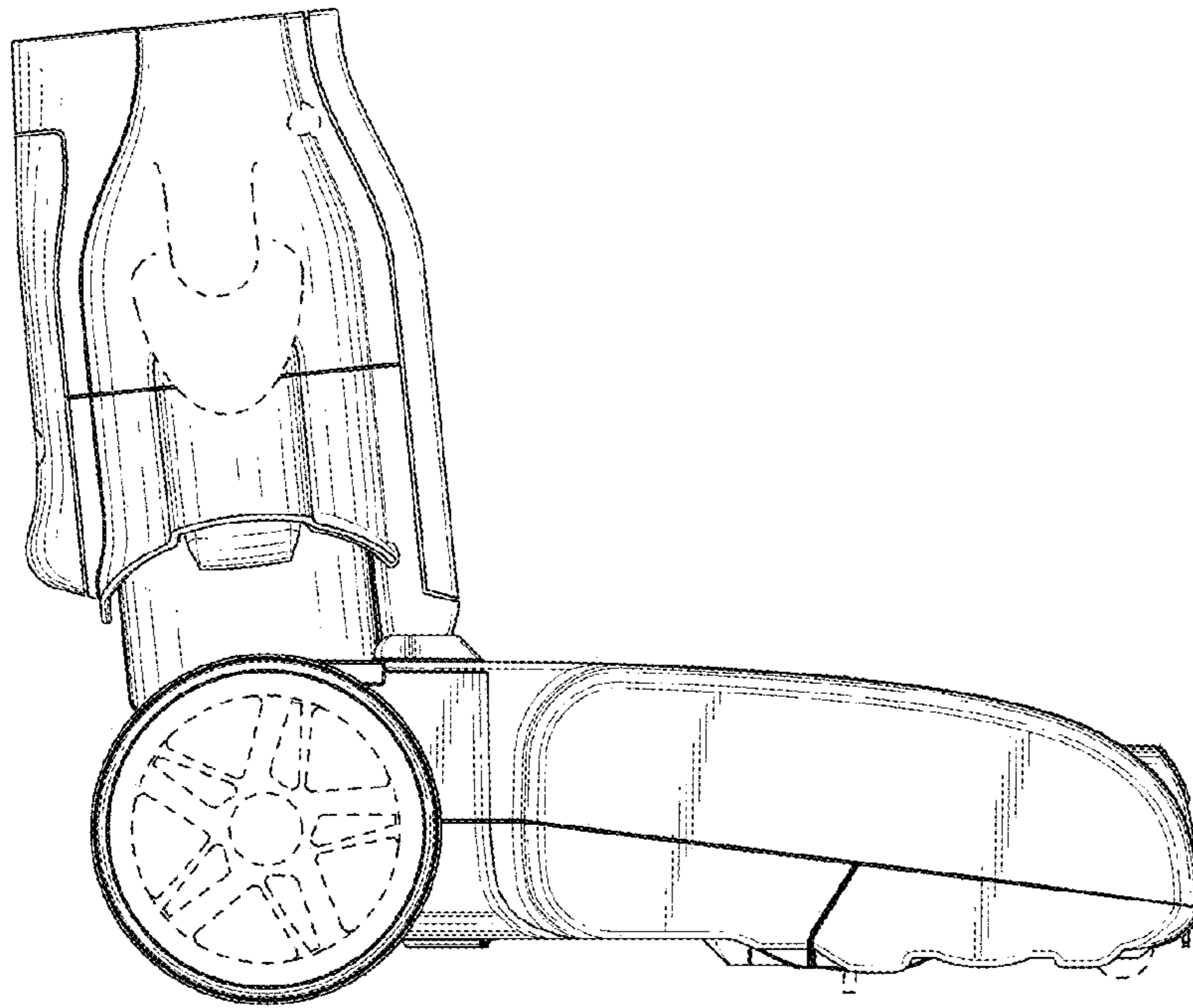


FIG. 6

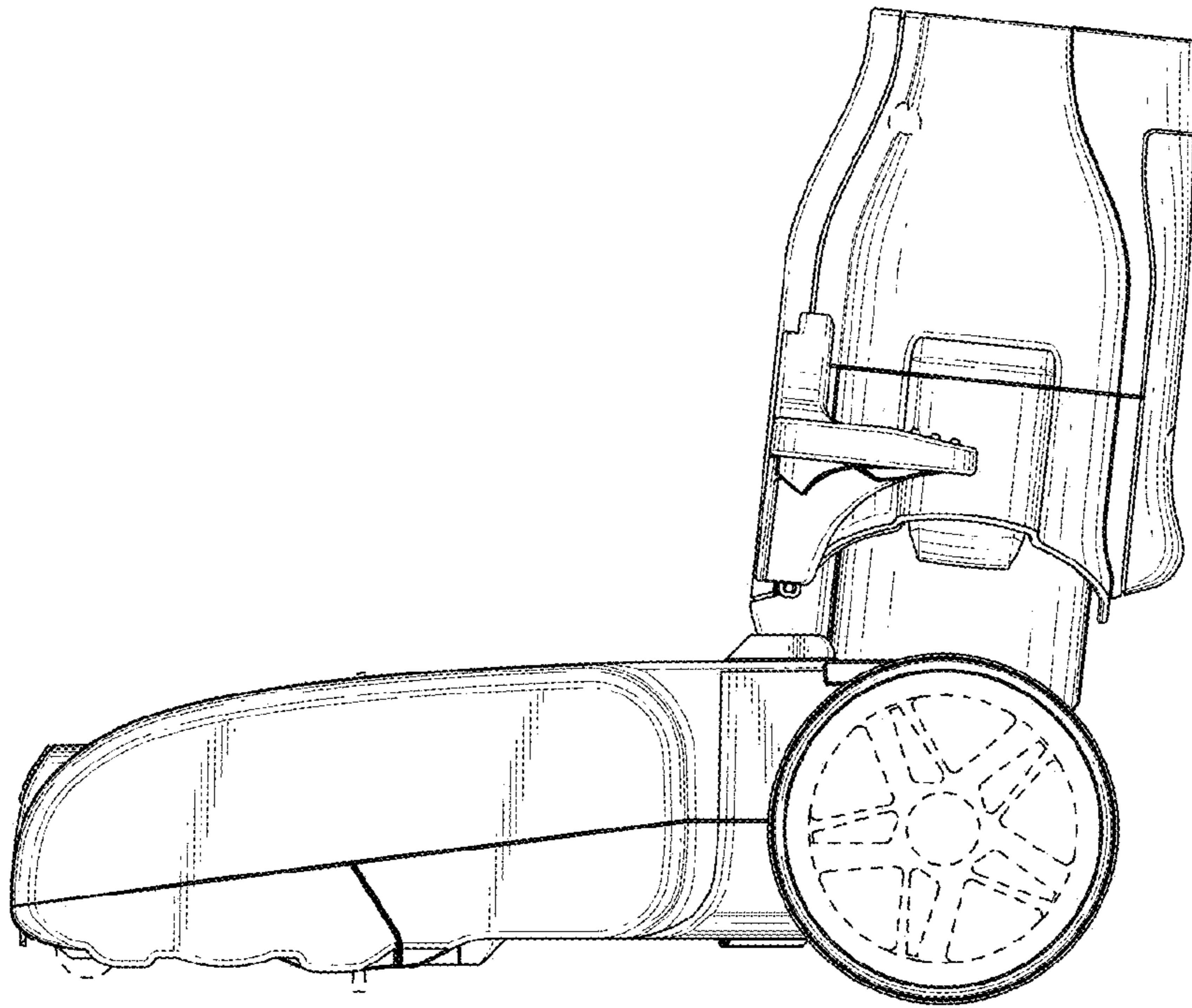


FIG. 7