



US00D762030S

(12) **United States Design Patent**  
**Johnson**

(10) **Patent No.:** **US D762,030 S**  
(45) **Date of Patent:** **\*\* Jul. 19, 2016**

(54) **SURFACE CLEANING HEAD FOR A VACUUM CLEANER**

(71) Applicant: **SharkNinja Operating LLC**, Newton, MA (US)

(72) Inventor: **Owen Johnson**, Needham, MA (US)

(73) Assignee: **SharkNinja Operating LLC**, Newton, MA (US)

(\*\*) Term: **14 Years**

(21) Appl. No.: **29/493,743**

(22) Filed: **Jun. 12, 2014**

(51) **LOC (10) Cl.** ..... **15-05**

(52) **U.S. Cl.**  
USPC ..... **D32/31**

(58) **Field of Classification Search**  
USPC ..... D32/21-22, 24, 31, 34; 15/350-353, 15/361-362, 347, 410-411, 414, 320-322, 15/329, 335, 246.2, 1.7, 340.2, DIG. 10; 55/345  
CPC ..... A47L 5/24; A47L 5/362; A47L 11/34; A47L 19/6666; A47L 19/325; B01D 45/12; B01D 50/002

See application file for complete search history.

(56) **References Cited**

**U.S. PATENT DOCUMENTS**

3,679,885	A *	7/1972	Selley et al.	362/91
4,757,574	A *	7/1988	Sumerau	15/324
D315,043	S	2/1991	Hayden	
5,107,565	A *	4/1992	Chun	15/324
D333,023	S	2/1993	Herron	
D334,447	S	3/1993	Rohn	
5,224,237	A	7/1993	Ambrosiano	
5,584,095	A	12/1996	Redding et al.	
D387,469	S *	12/1997	Saleen	D26/139
5,794,305	A	8/1998	Weger	

5,896,618	A *	4/1999	Woo et al.	15/324
6,055,703	A	5/2000	Redding et al.	
D427,363	S *	6/2000	Sacco et al.	D26/120
D431,335	S	9/2000	Mehaffey et al.	
6,490,755	B2 *	12/2002	Paterson et al.	15/324
6,672,735	B2 *	1/2004	Dilger et al.	362/91
D510,465	S	10/2005	Takahashi et al.	
D543,325	S	5/2007	Burnham	
D564,130	S *	3/2008	Conway et al.	D26/139
D565,266	S	3/2008	Crevling et al.	
D573,759	S	7/2008	Konno et al.	
D580,116	S	11/2008	Santiago et al.	
D587,870	S	3/2009	Baek et al.	
7,503,098	B2	3/2009	Stein	
7,581,284	B2	9/2009	Courtney	
7,581,285	B2	9/2009	Courtney	
7,600,292	B2	10/2009	Courtney	
7,610,653	B2	11/2009	Courtney	

(Continued)

**FOREIGN PATENT DOCUMENTS**

CA	2697025	A1	2/2004
CA	2495053		10/2010

(Continued)

*Primary Examiner* — Ruth McInroy

(74) *Attorney, Agent, or Firm* — Grossman Tucker Perreault & Pflieger, PLLC

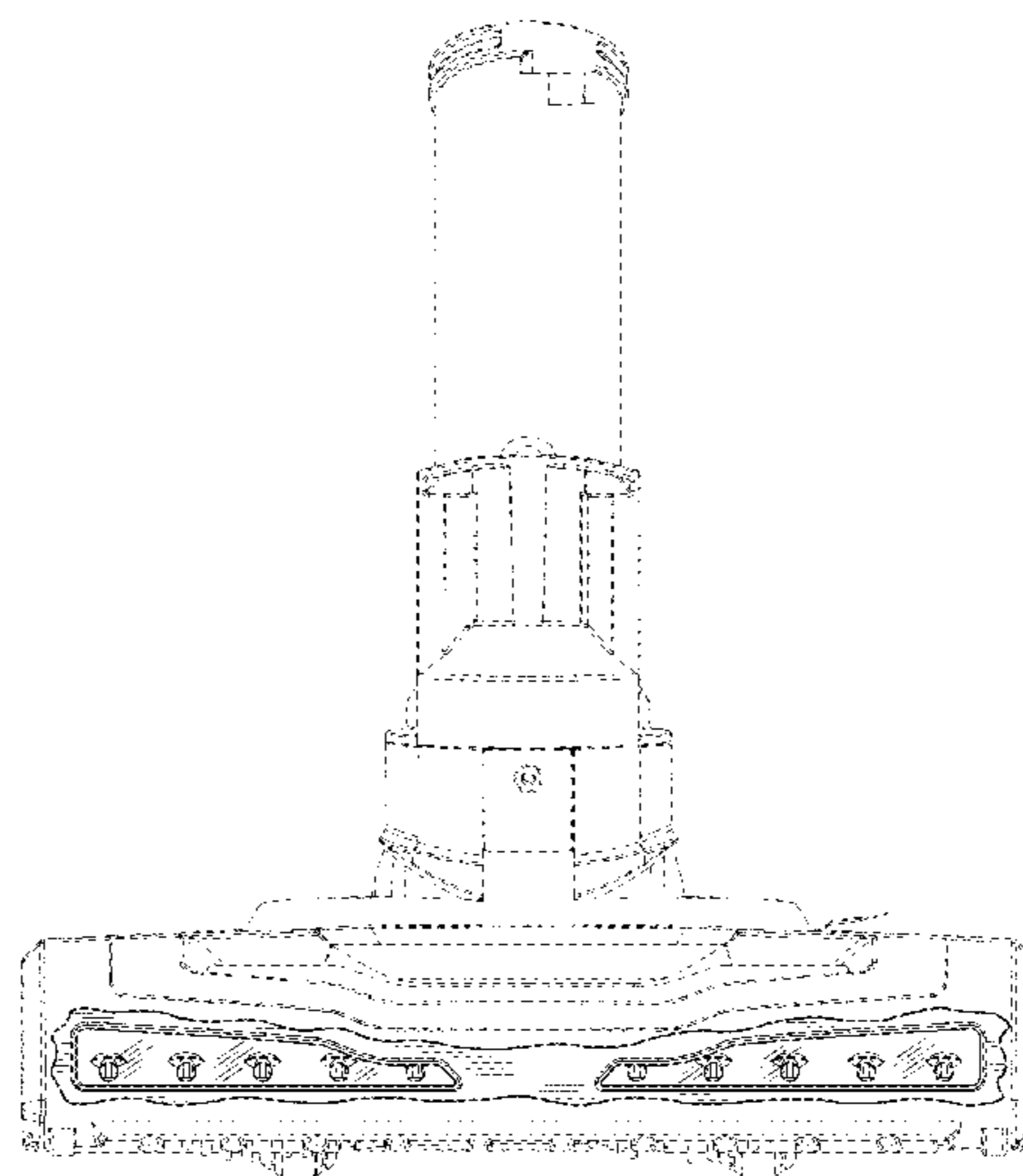
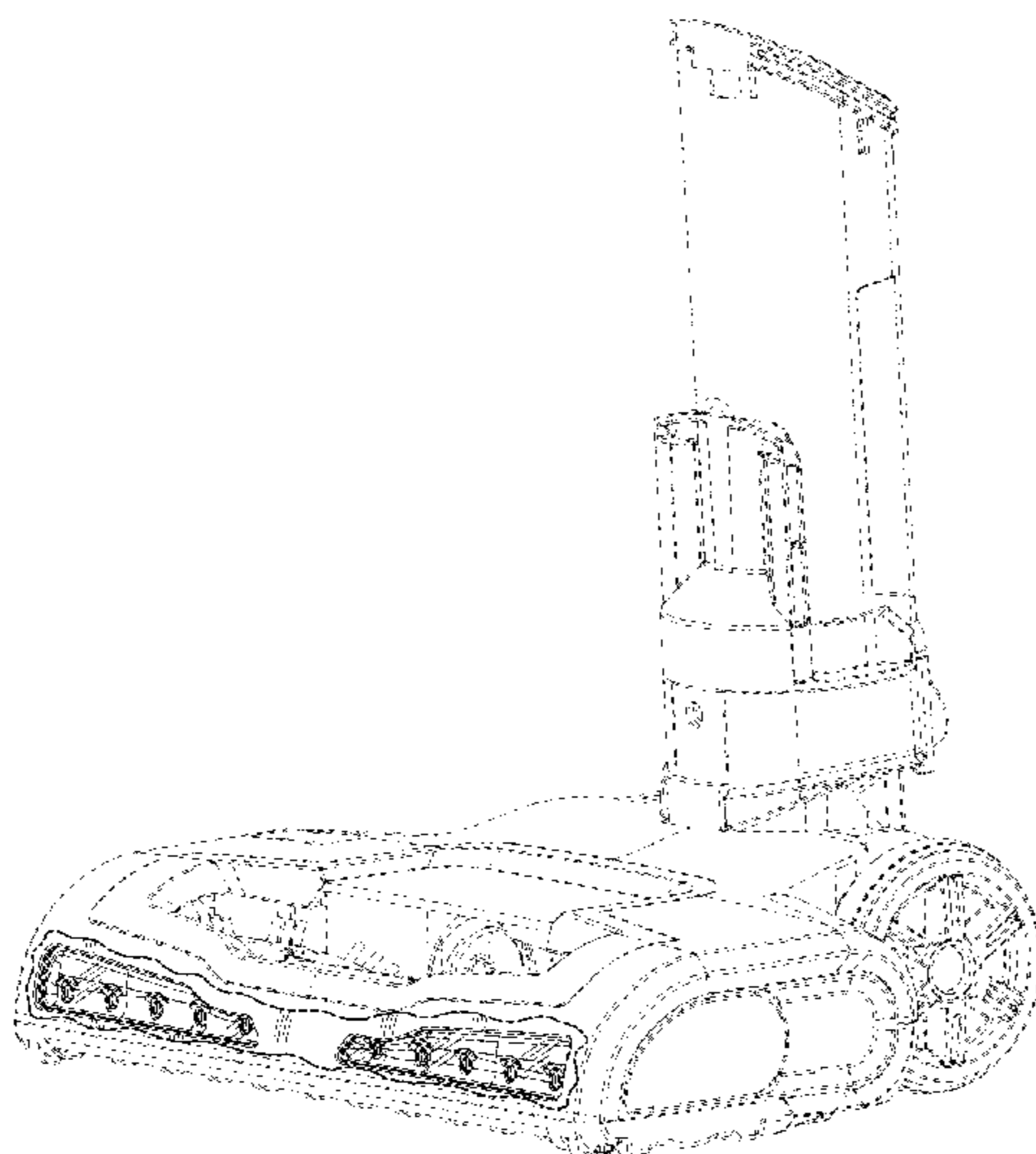
(57) **CLAIM**

I claim the ornamental design for a surface cleaning head for a vacuum cleaner, as shown and described.

**DESCRIPTION**

FIG. 1 is a top and front perspective view of a surface cleaning head for a vacuum cleaner showing my new design; FIG. 2 is a front elevation view thereof; and, FIG. 3 is a top plan view thereof. The details shown in broken lines form no part of the claimed design.

**1 Claim, 3 Drawing Sheets**



(56)

**References Cited**

U.S. PATENT DOCUMENTS

D608,064 S 1/2010 Conrad et al.  
 D611,210 S 3/2010 Conrad et al.  
 7,757,343 B2 7/2010 Courtney  
 7,805,804 B2 10/2010 Loebig  
 7,823,251 B2 11/2010 Dyson et al.  
 7,854,039 B2 12/2010 Lee et al.  
 D633,264 S 2/2011 Lee  
 D641,114 S 7/2011 Choi et al.  
 D642,755 S 8/2011 Fjellman  
 D644,385 S 8/2011 Hare et al.  
 8,032,983 B2 10/2011 Griffith et al.  
 D662,271 S 6/2012 Conrad et al.  
 D662,272 S 6/2012 Conrad et al.  
 D670,056 S 10/2012 Ventress et al.  
 D680,288 S 4/2013 Bilger et al.  
 D684,326 S 6/2013 Okabe et al.  
 D685,961 S 7/2013 Bilger et al.

D686,377 S 7/2013 Thorne  
 D693,975 S 11/2013 Santiago et al.  
 D695,980 S 12/2013 Thorne  
 D720,495 S \* 12/2014 Richard et al. .... D26/139  
 D740,999 S \* 10/2015 Yu ..... D26/120  
 2009/0056058 A1 3/2009 Finke et al.  
 2009/0056059 A1 3/2009 Mersmann et al.  
 2009/0056061 A1 3/2009 Andrup et al.  
 2011/0107553 A1 5/2011 Myers  
 2011/0219581 A1 9/2011 Vines et al.  
 2014/0237754 A1 8/2014 Conrad  
 2014/0237762 A1 8/2014 Conrad  
 2014/0259519 A1 9/2014 Conrad et al.

FOREIGN PATENT DOCUMENTS

CA 2495066 5/2011  
 CA 2495073 5/2011  
 CA 2718836 A1 5/2011

\* cited by examiner

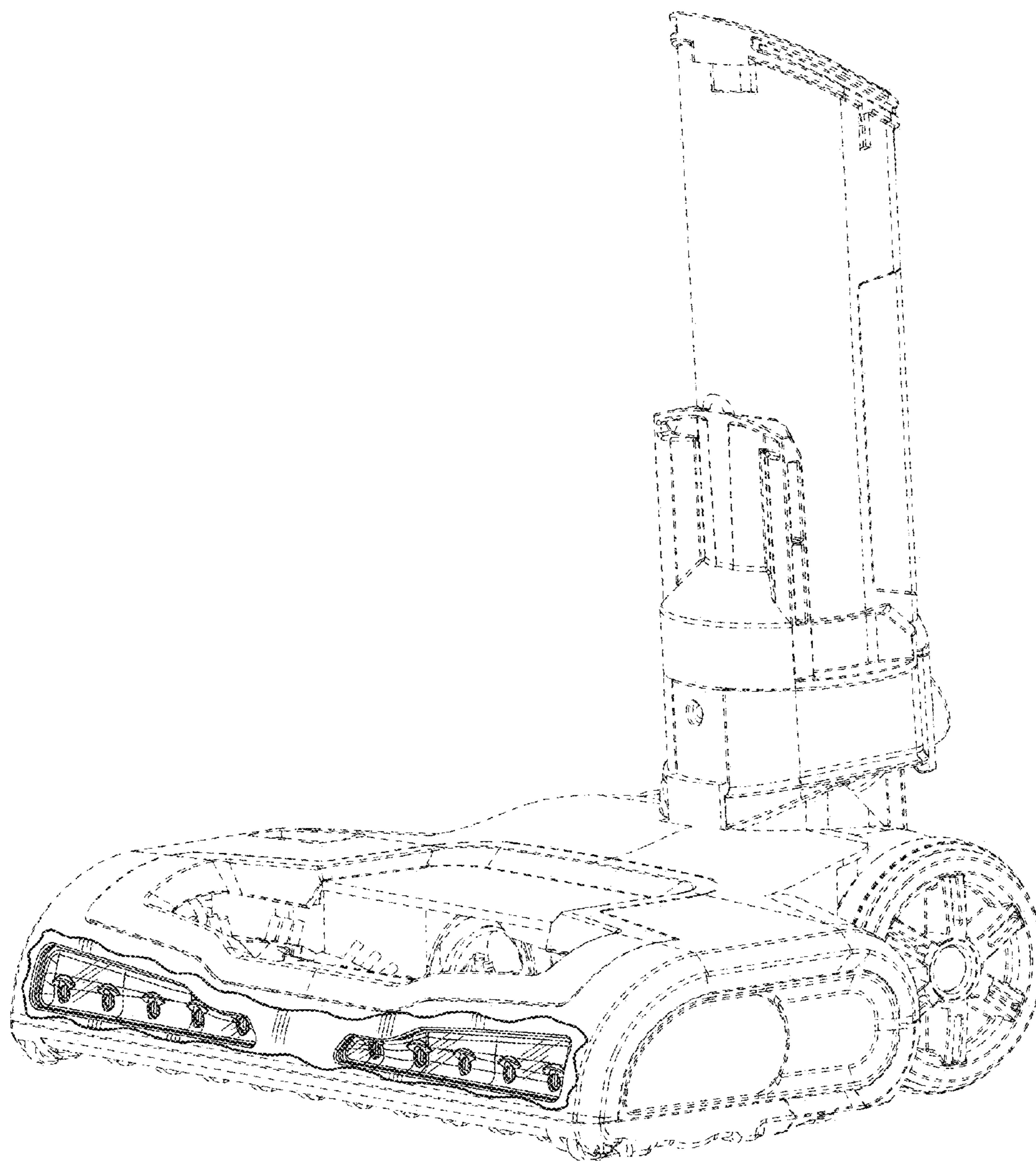


FIG. 1

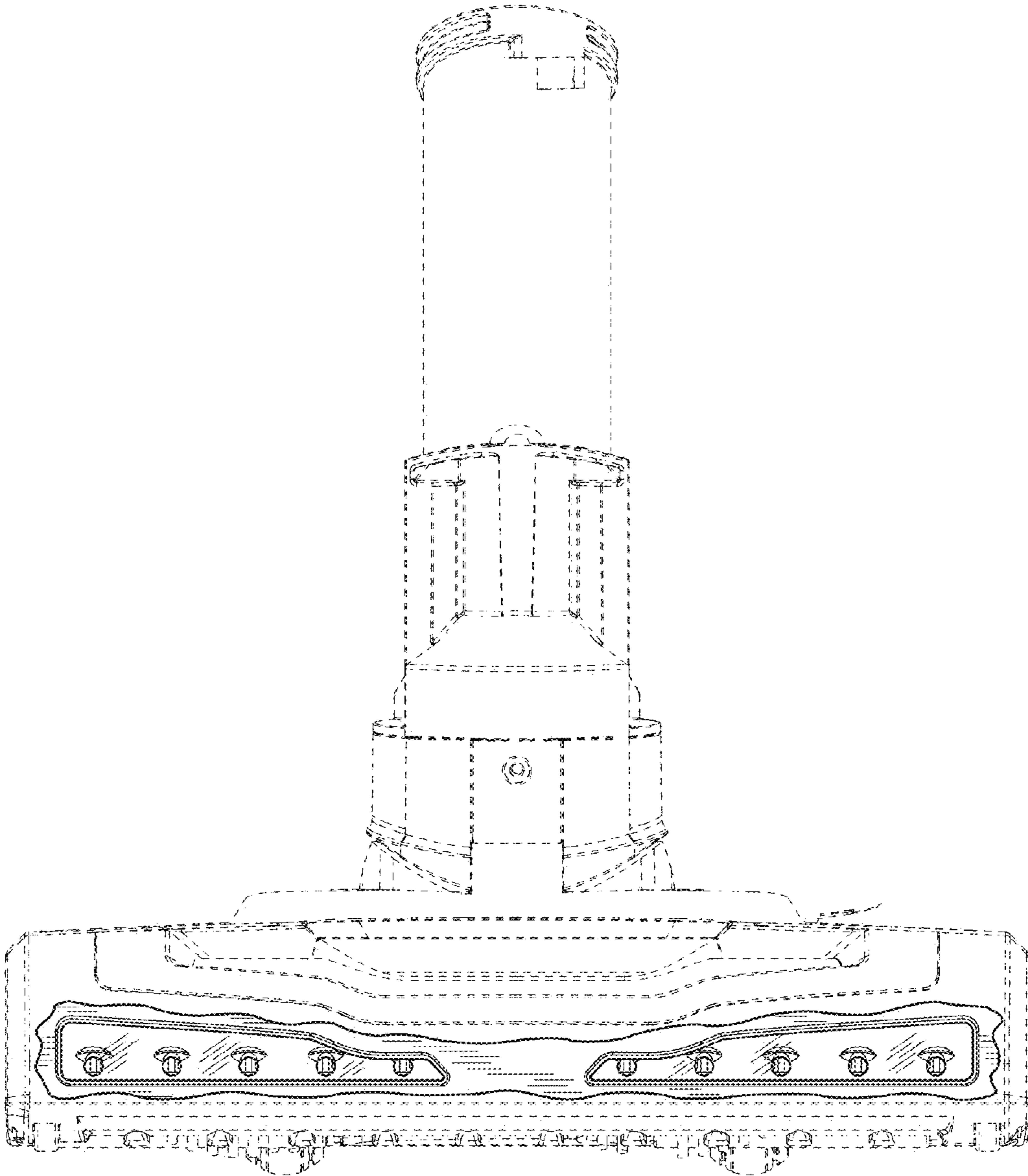


FIG. 2

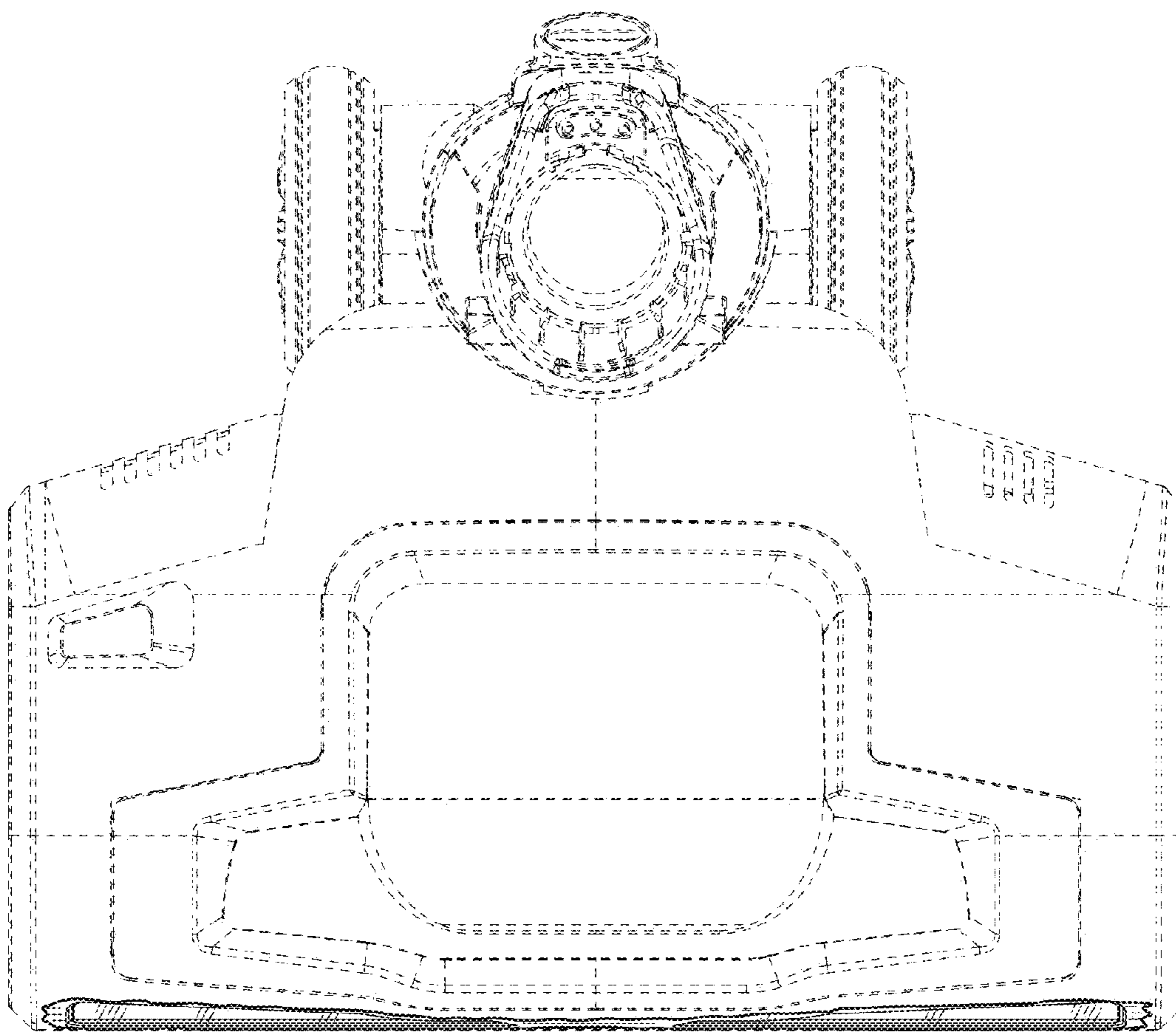


FIG. 3