



US00D762029S

(12) **United States Design Patent**  
**Marsden et al.**

(10) **Patent No.:** **US D762,029 S**  
(45) **Date of Patent:** **\*\* Jul. 19, 2016**

(54) **CLEANER HEAD**

(71) Applicant: **Techtronic Industries Co. Ltd.**, Tsuen Wan, New Territories (HK)

(72) Inventors: **Jennifer K. Marsden**, West Midlands (GB); **Samuel W. Bennett**, Bristol (GB)

(73) Assignee: **Techtronic Industries Co. Ltd.**, Tsuen Wan, New Territories (HK)

(\*\*) Term: **14 Years**

(21) Appl. No.: **29/492,975**

(22) Filed: **Jun. 4, 2014**

(30) **Foreign Application Priority Data**

Dec. 5, 2013 (EM) ..... 001391957

(51) **LOC (10) Cl.** ..... **15-05**

(52) **U.S. Cl.**  
USPC ..... **D32/31**

(58) **Field of Classification Search**  
USPC ..... D32/31-33, 40, 50, 25  
CPC ..... A47L 11/4044; A47L 9/02; A47L 13/12;  
A47L 13/20; A47L 7/02; A47L 1/08  
See application file for complete search history.

(56) **References Cited**

**U.S. PATENT DOCUMENTS**

D359,148 S \* 6/1995 Henrie ..... D32/33  
D400,325 S \* 10/1998 Broecking ..... D32/33

(Continued)

*Primary Examiner* — Ruth McInroy

(74) *Attorney, Agent, or Firm* — Michael Best & Friedrich LLP

(57) **CLAIM**

We claim the ornamental design for a cleaner head, as shown and described.

**DESCRIPTION**

FIG. 1 is a rear perspective view of a cleaner head embodying the invention;

FIG. 2 is a front perspective view of the cleaner head of FIG. 1;

FIG. 3 is a left side view of the cleaner head of FIG. 1;

FIG. 4 is a right side view of the cleaner head of FIG. 1;

FIG. 5 is a rear view of the cleaner head of FIG. 1;

FIG. 6 is a front view of the cleaner head of FIG. 1;

FIG. 7 is a bottom view of the cleaner head of FIG. 3;

FIG. 8 is a top view of the cleaner head of FIG. 4;

FIG. 9 is a front perspective view of a cleaner head in an alternate position;

FIG. 10 is a rear perspective view of the cleaner head of FIG. 9;

FIG. 11 is a left side view of the cleaner head of FIG. 9;

FIG. 12 is a right side view of the cleaner head of FIG. 9;

FIG. 13 is a rear view of the cleaner head of FIG. 9;

FIG. 14 is a front view of the cleaner head of FIG. 9;

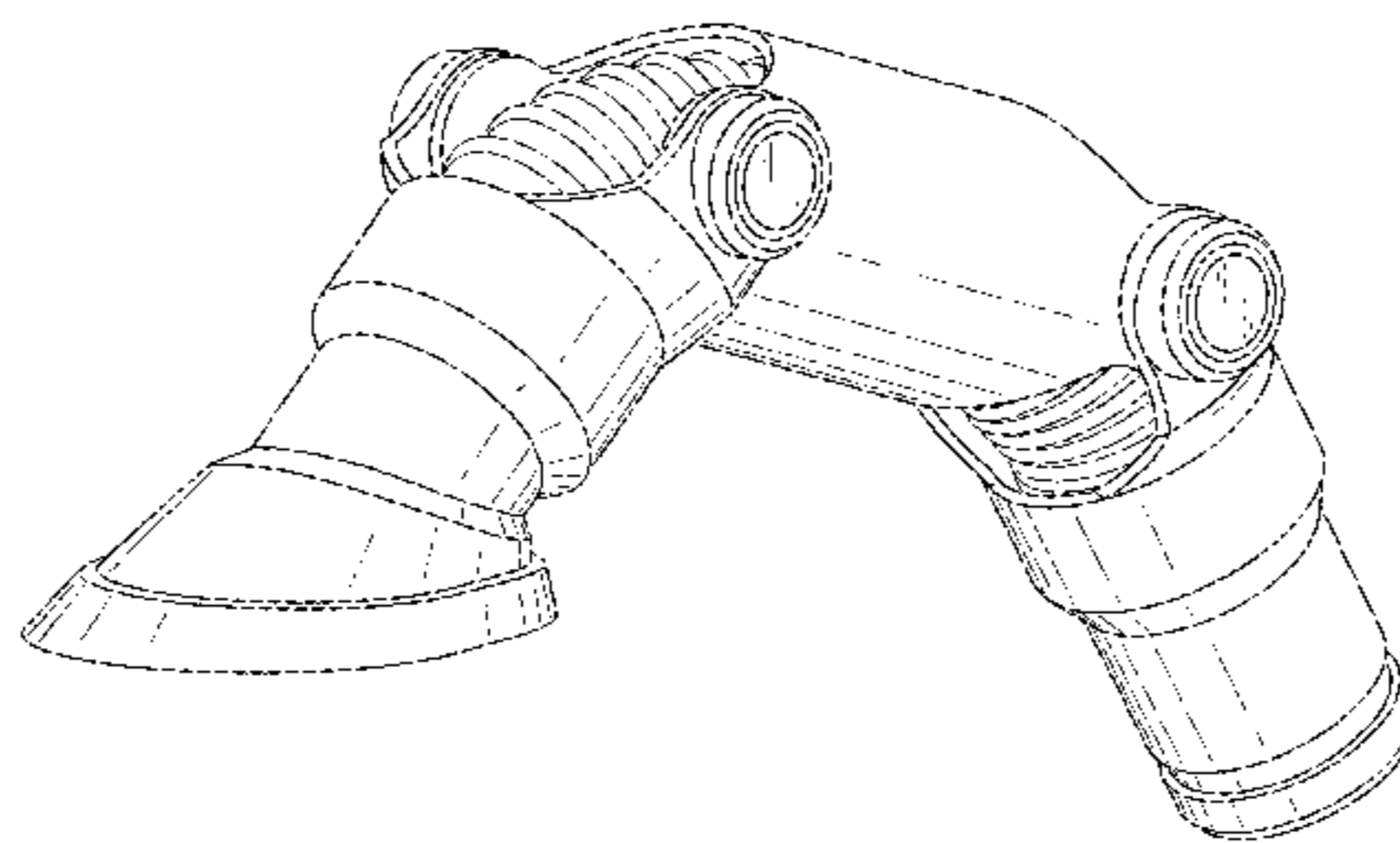
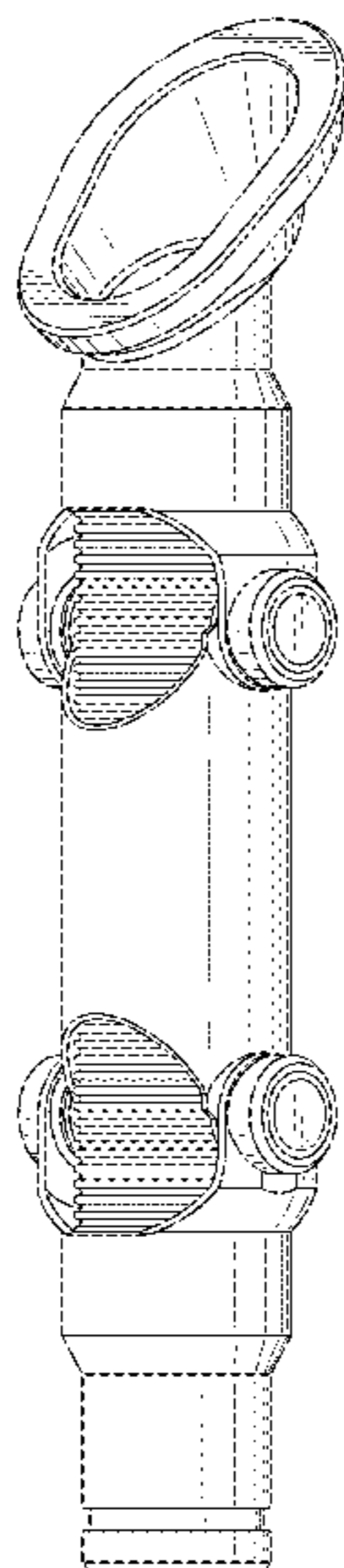
FIG. 15 is a top view of the cleaner head of FIG. 12; and,

FIG. 16 is a bottom view of the cleaner head of FIG. 12.

The elements shown in broken and/or unattached lines illustrate environment and form no part of the claimed design. FIGS. 1-8 illustrate the cleaner head in a first arrangement and FIGS. 9-16 illustrate the cleaner head in a second arrangement. The cleaner head is movable between the first arrangement and the second arrangement.

The details shown in broken lines form no part of the claimed design. FIGS. 1-8 illustrate the cleaner head in a first arrangement and FIGS. 9-16 illustrate the cleaner head in a second arrangement. The cleaner head is movable between the first and second arrangement.

**1 Claim, 8 Drawing Sheets**



(56)

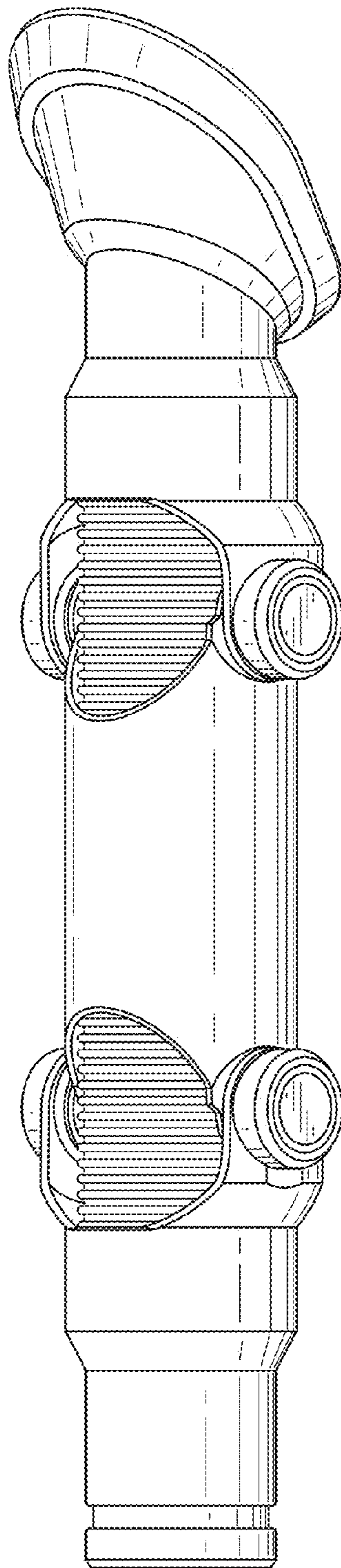
**References Cited**

U.S. PATENT DOCUMENTS

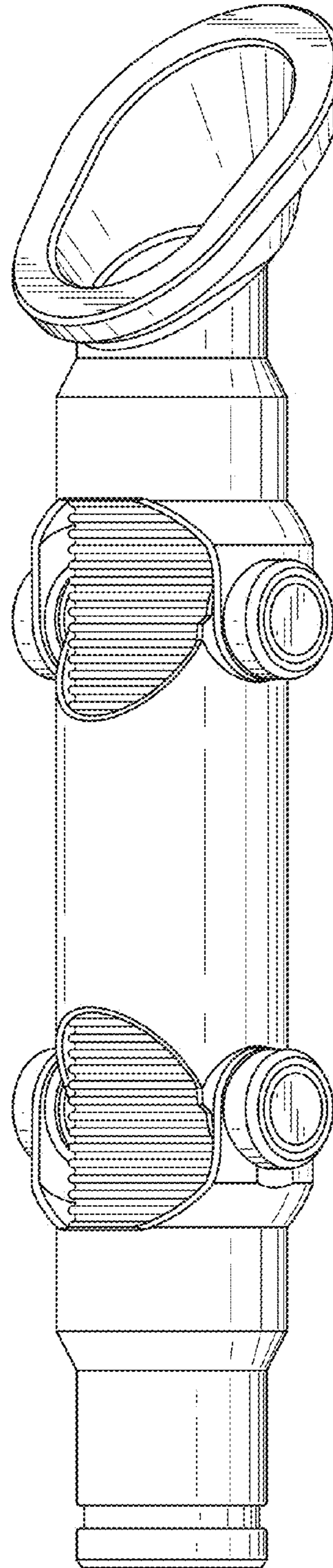
D506,046 S \* 6/2005 Schroter ..... D32/32  
D526,102 S \* 8/2006 Adams ..... D32/32  
D565,263 S \* 3/2008 Wishney ..... D32/32  
D576,365 S \* 9/2008 Wishney ..... D32/32

D590,111 S \* 4/2009 Wiljanen et al. .... D32/32  
D658,832 S \* 5/2012 Eden et al. .... D32/32  
D659,923 S \* 5/2012 Dyson ..... D32/33  
D674,978 S \* 1/2013 Hill et al. .... D32/32  
D714,005 S \* 9/2014 McGurk ..... D32/32  
D733,377 S \* 6/2015 Bennett et al. .... D32/33

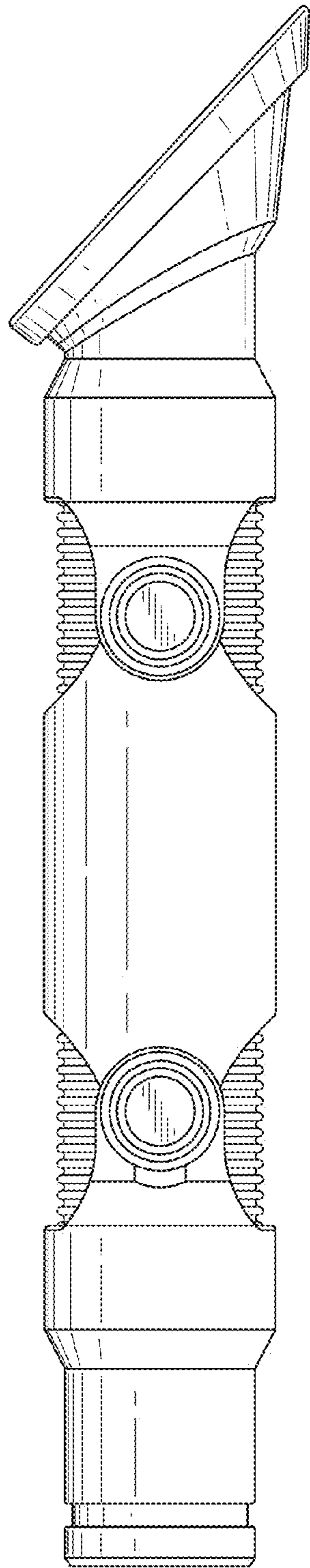
\* cited by examiner



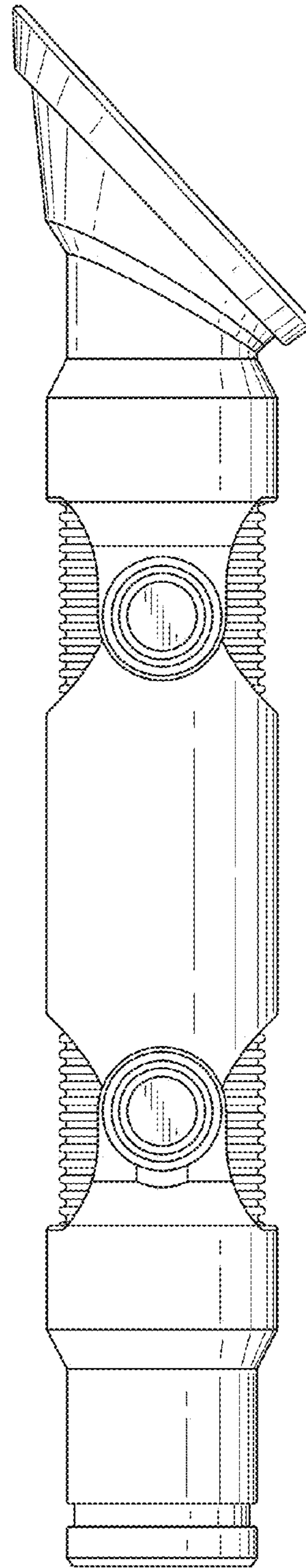
**FIG. 1**



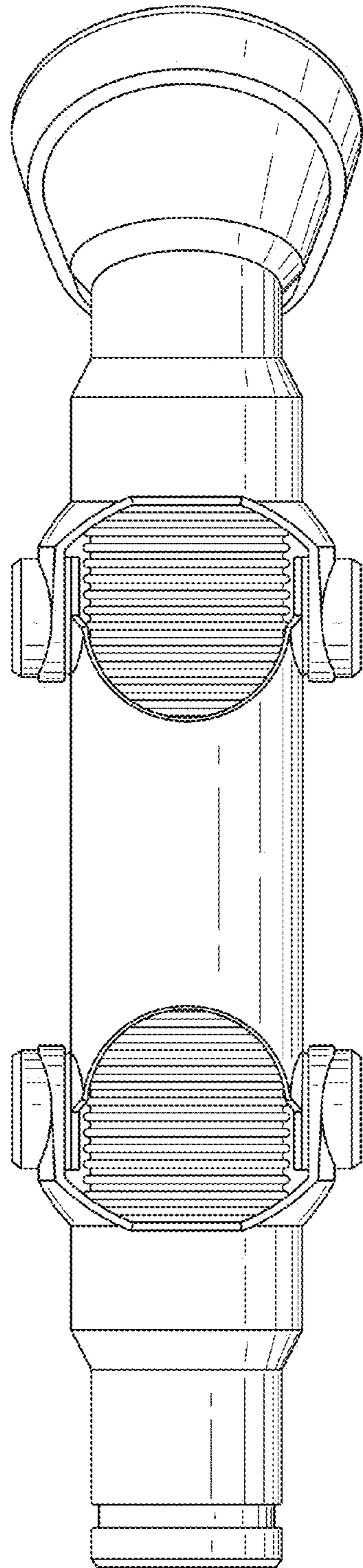
**FIG. 2**



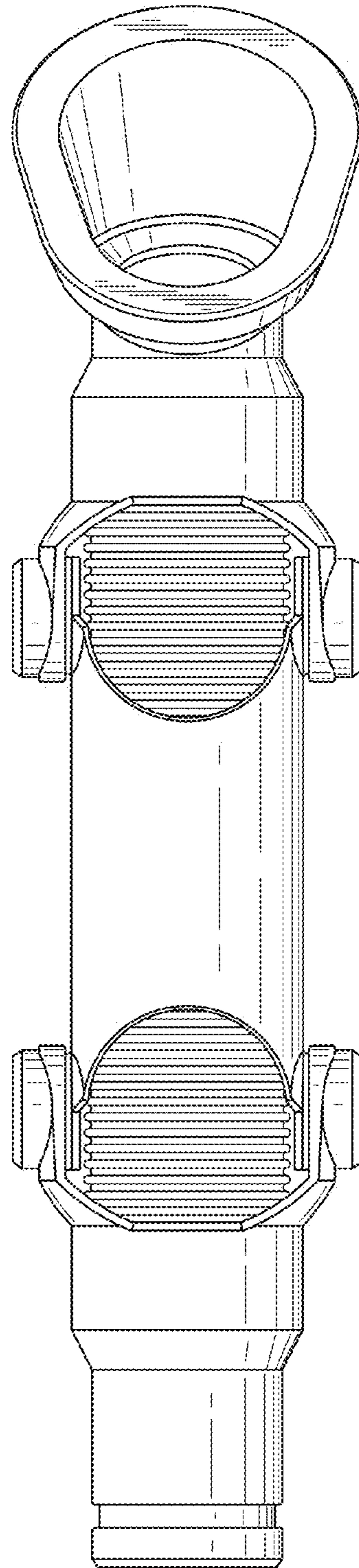
**FIG. 3**



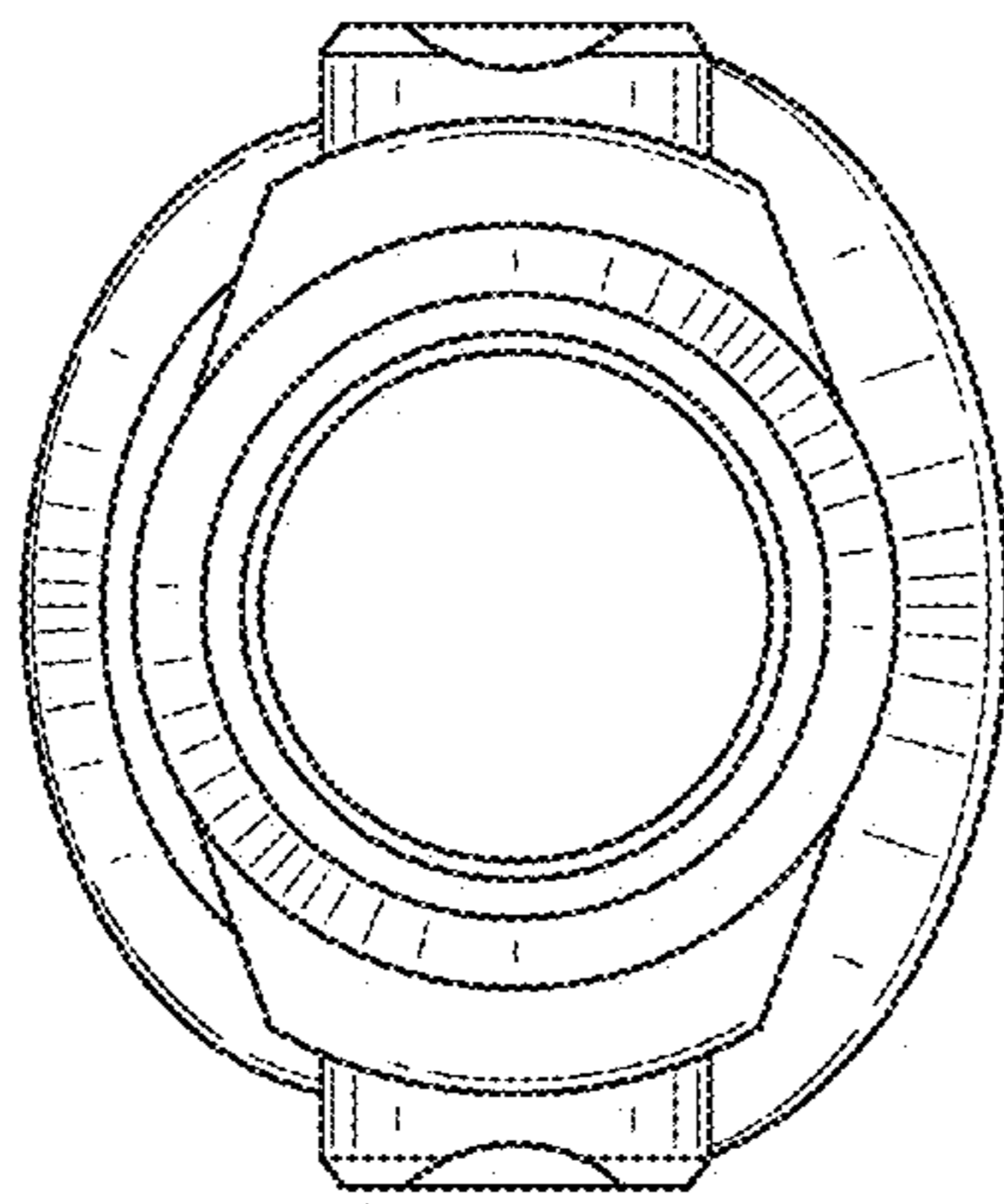
**FIG. 4**



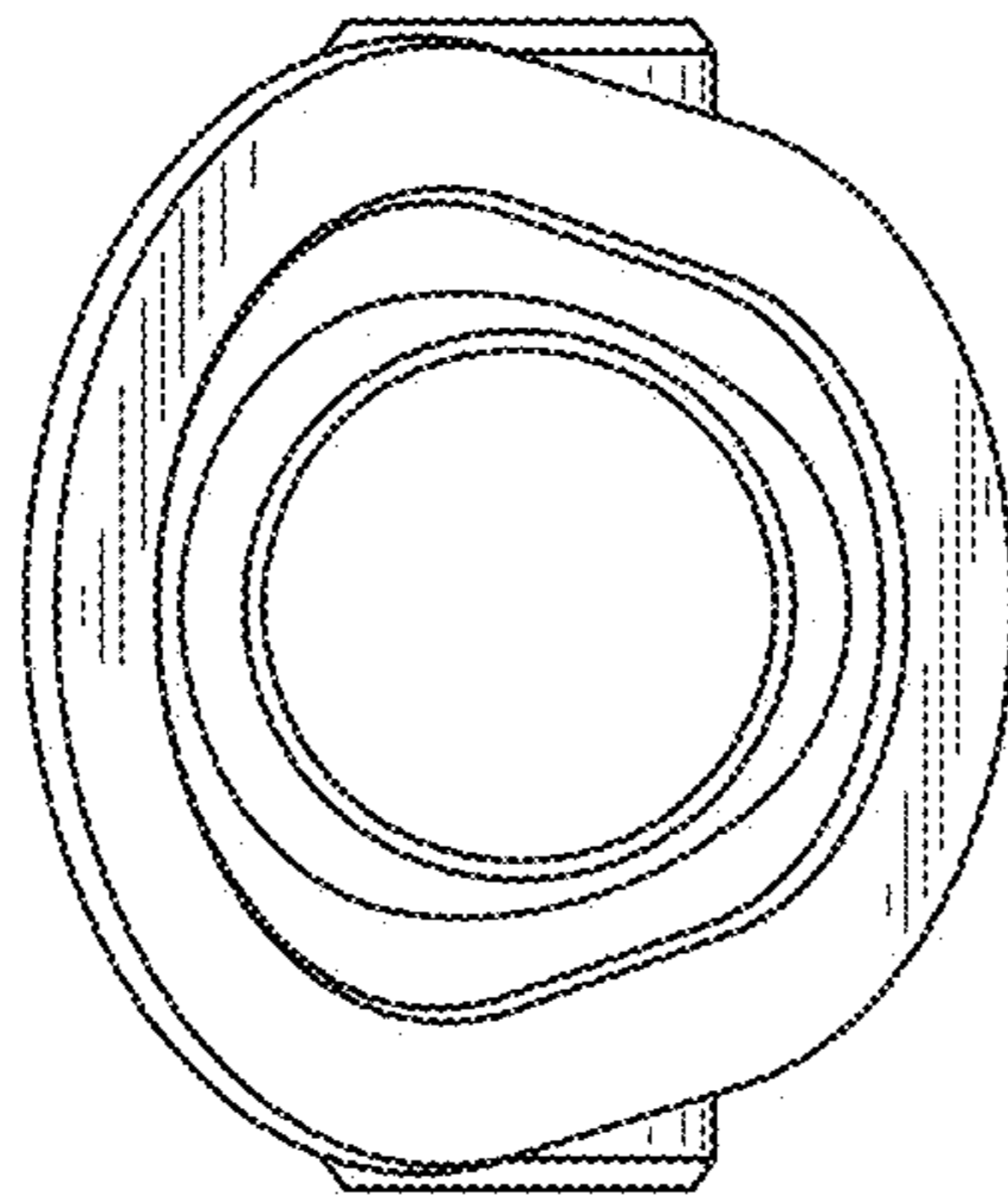
**FIG. 5**



**FIG. 6**



**FIG. 7**



**FIG. 8**

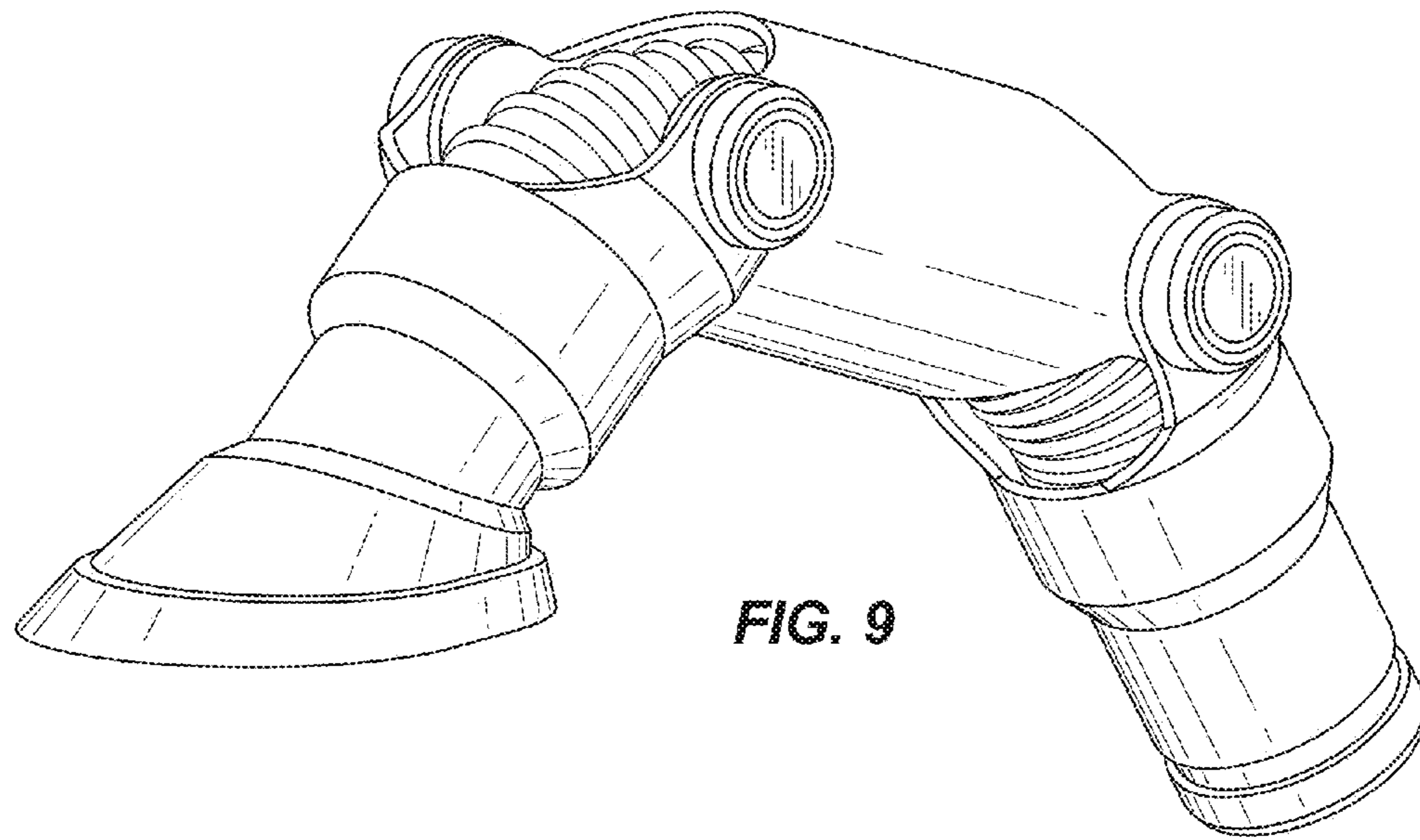


FIG. 9

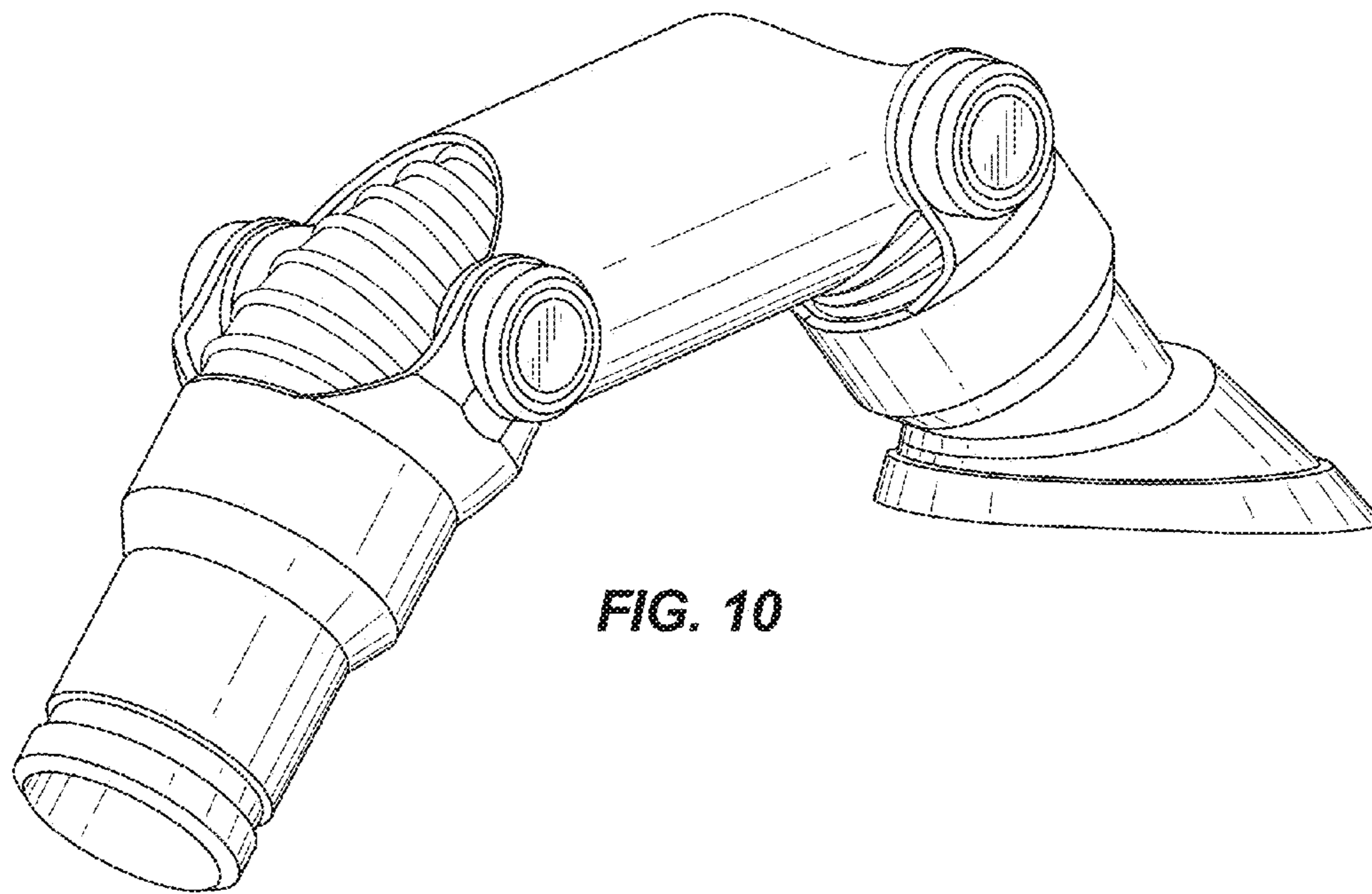
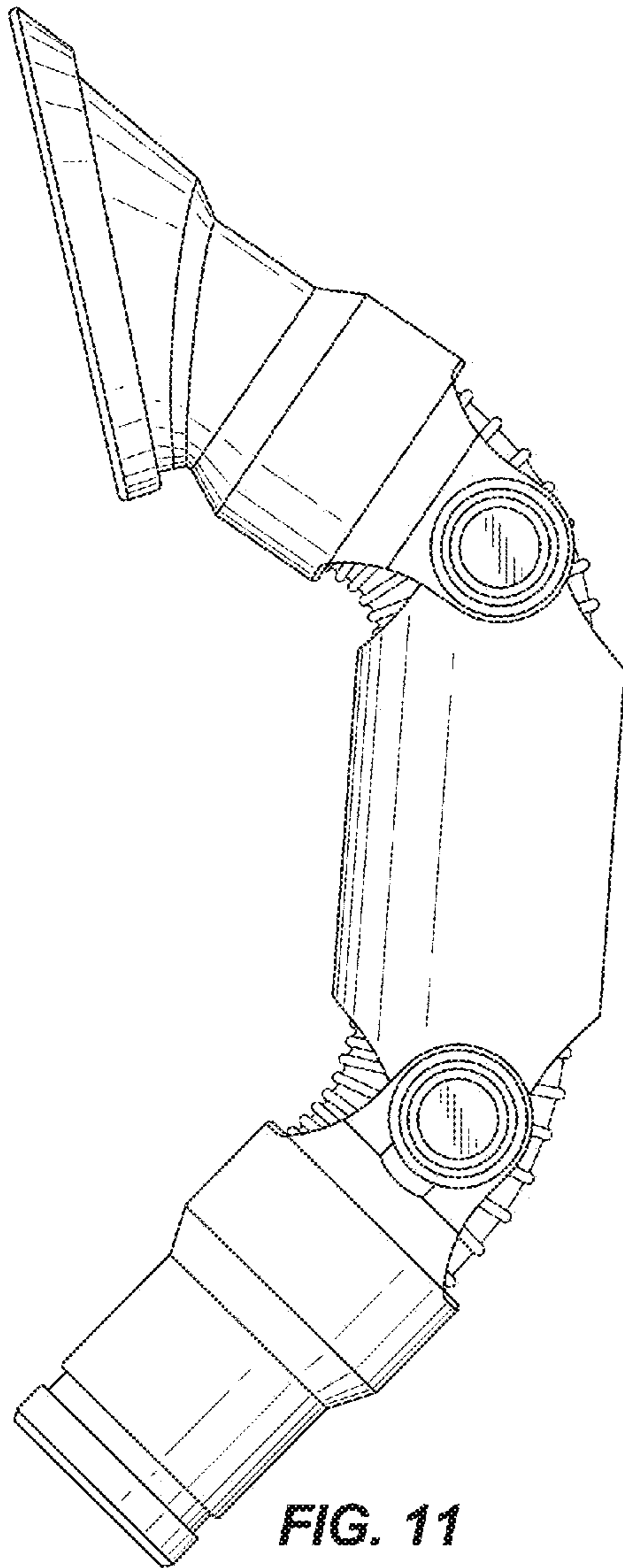
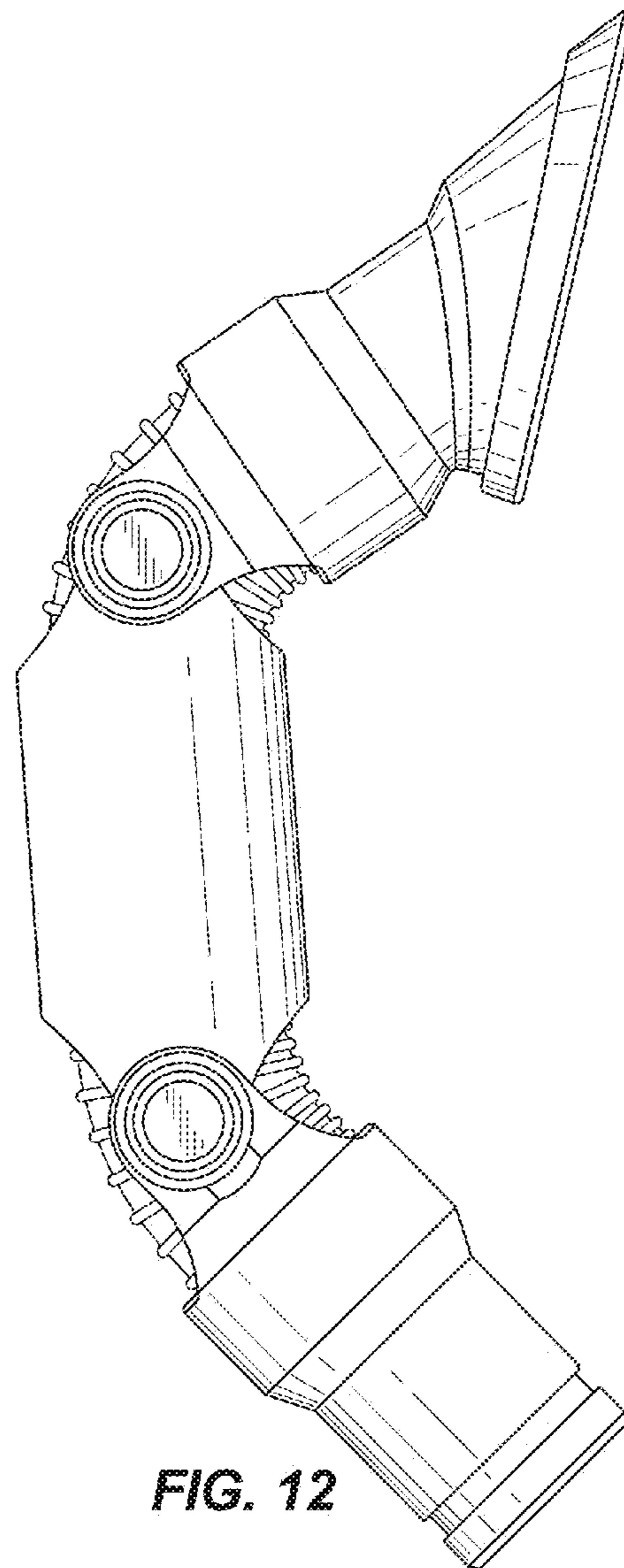


FIG. 10

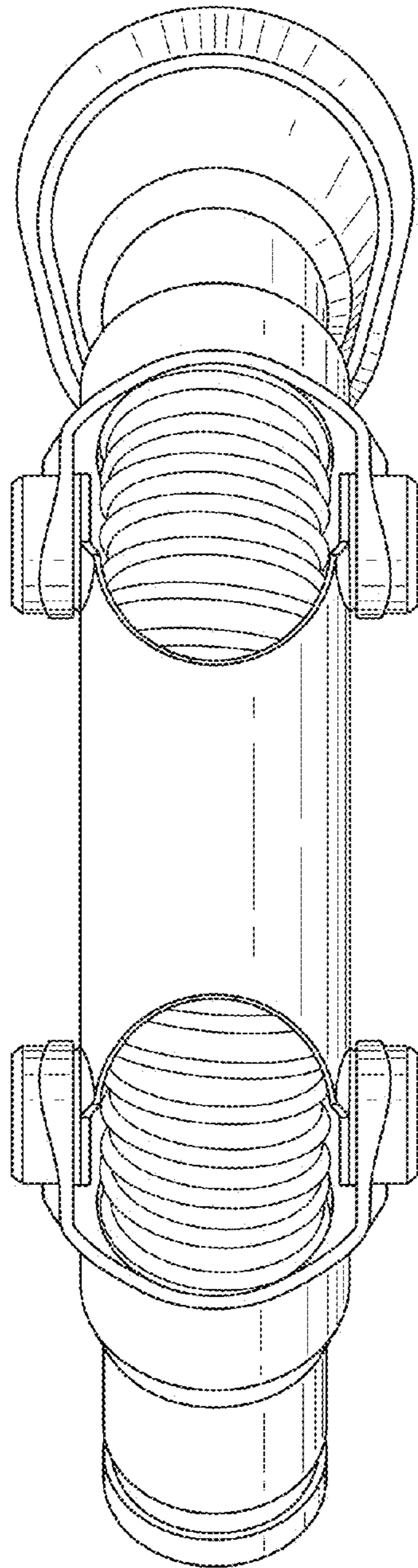


**FIG. 11**

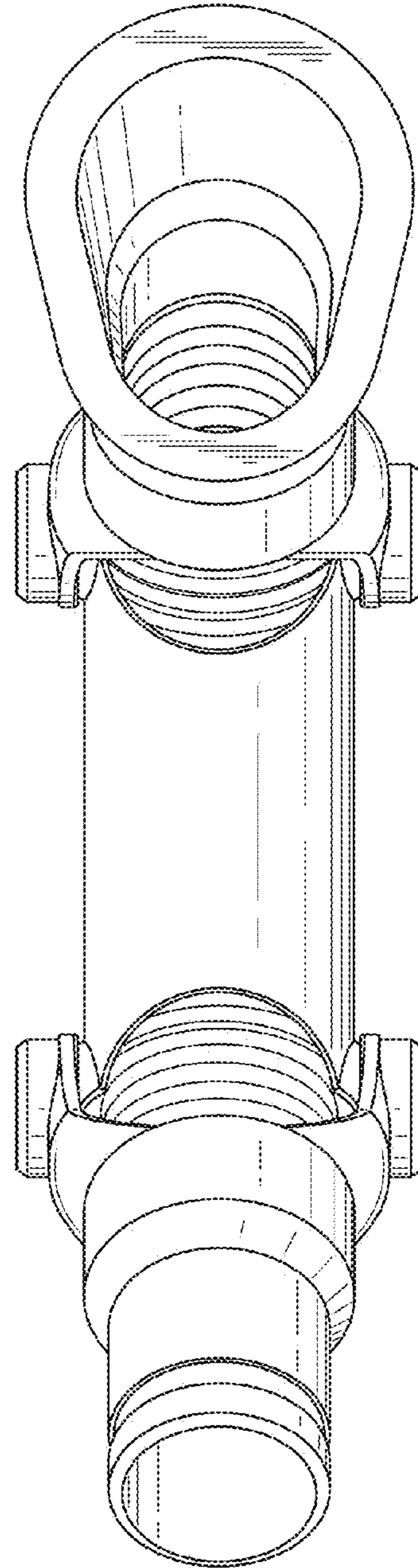


**FIG. 12**

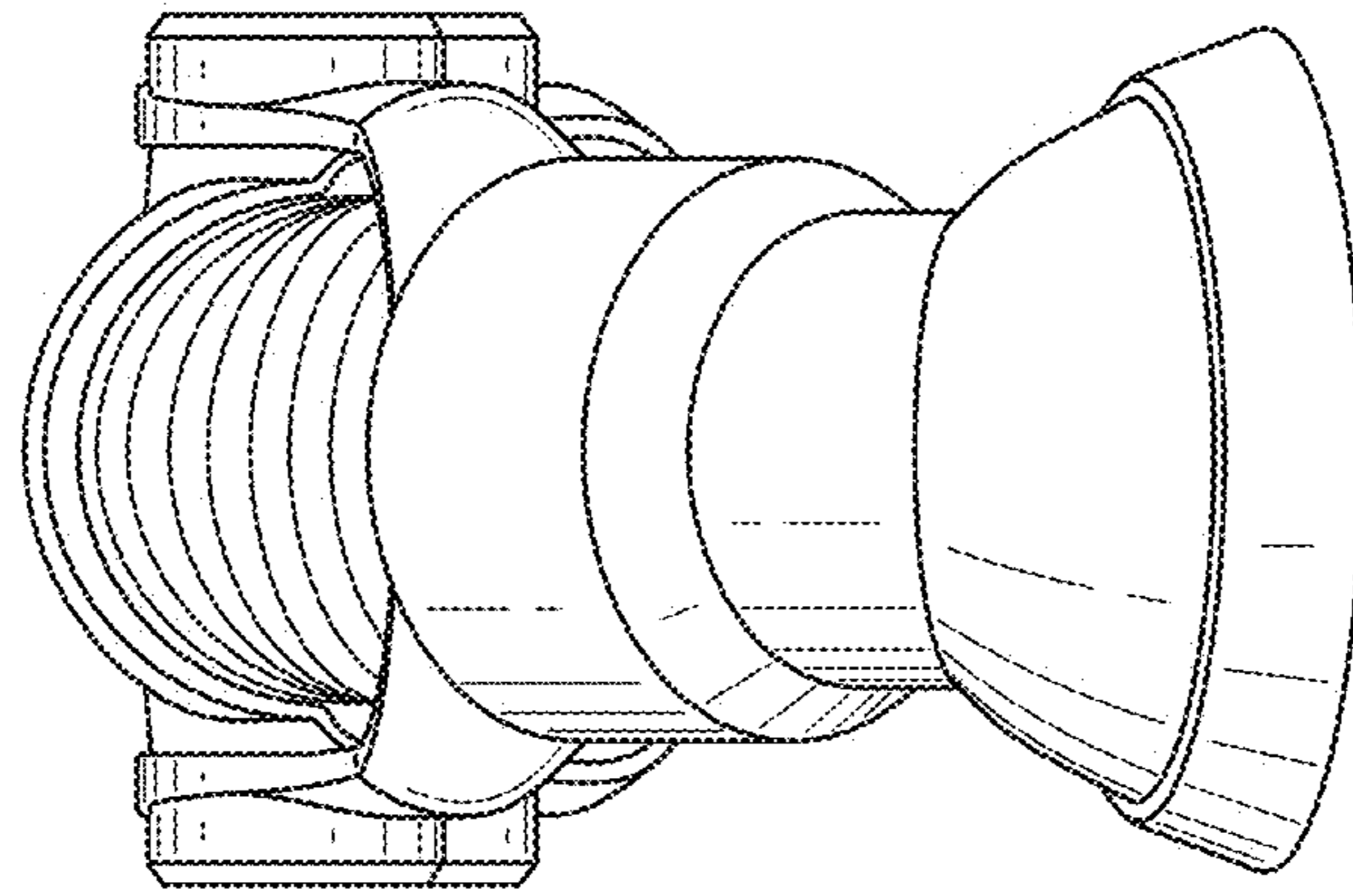




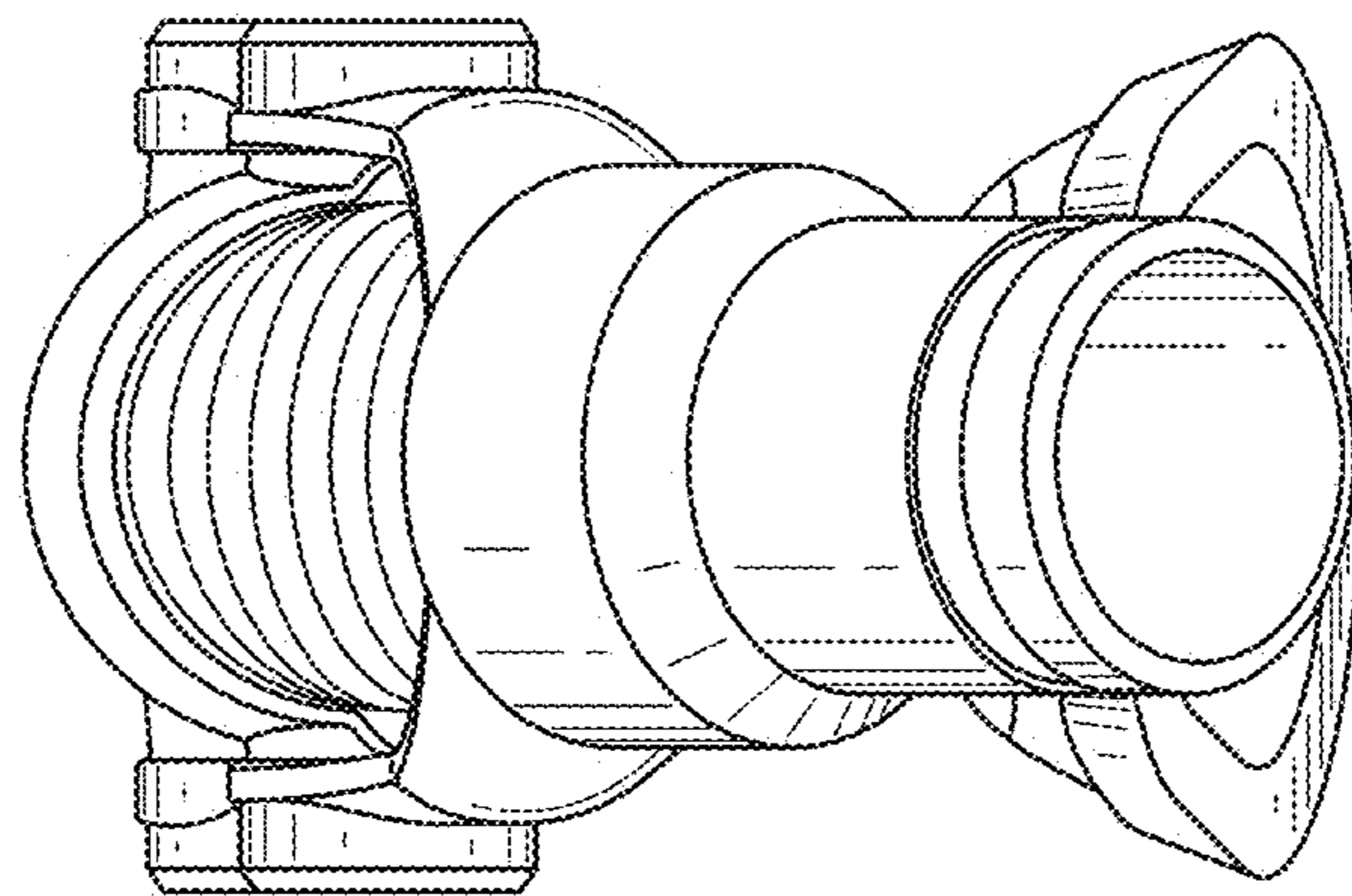
**FIG. 13**



**FIG. 14**



**FIG. 15**



**FIG. 16**