

US00D762026S

(12) **United States Design Patent**  
**Tyler**

(10) **Patent No.:** **US D762,026 S**  
(45) **Date of Patent:** **\*\* Jul. 19, 2016**

(54) **FLOOR CLEANING DEVICE**  
(71) Applicant: **Techtronic Industries Co. Ltd.**, Tsuen Wan, New Territories (HK)  
(72) Inventor: **Jake Tyler**, Birmingham (GB)  
(73) Assignee: **Techtronic Industries Co., Ltd.**, Tsuen Wan, New Territories (HK)  
(\*\*) Term: **14 Years**

D518,611 S 4/2006 Hare  
D520,198 S \* 5/2006 Sung ..... D32/21  
D534,696 S 1/2007 Choi  
D550,908 S 9/2007 Shin  
D550,909 S 9/2007 Shin  
D550,910 S 9/2007 Shin  
D552,310 S 10/2007 Shin  
D552,810 S 10/2007 Shin  
D552,811 S 10/2007 Shin  
D553,311 S 10/2007 Shin  
D556,400 S 11/2007 Houghton  
D559,482 S 1/2008 Jansson et al.

(Continued)

(21) Appl. No.: **29/491,882**

**OTHER PUBLICATIONS**

(22) Filed: **May 27, 2014**

Co-pending U.S. Appl. No. 29/445,677, filed Feb. 14, 2013.

(30) **Foreign Application Priority Data**

(Continued)

Nov. 28, 2013 (CN) ..... 2013 3 0583465

(51) **LOC (10) Cl.** ..... **15-05**

*Primary Examiner* — Ruth McInroy

(52) **U.S. Cl.**  
USPC ..... **D32/21**

(74) *Attorney, Agent, or Firm* — Michael Best & Friedrich LLP

(58) **Field of Classification Search**  
USPC ..... D32/21, 23–24, 31  
CPC ..... A47L 5/362; A47L 5/365; A47L 5/28;  
A47L 9/26; A47L 11/34; A47L 7/0038;  
B65H 75/18

(57) **CLAIM**

I claim the ornamental design for floor cleaning device, as shown and described.

See application file for complete search history.

**DESCRIPTION**

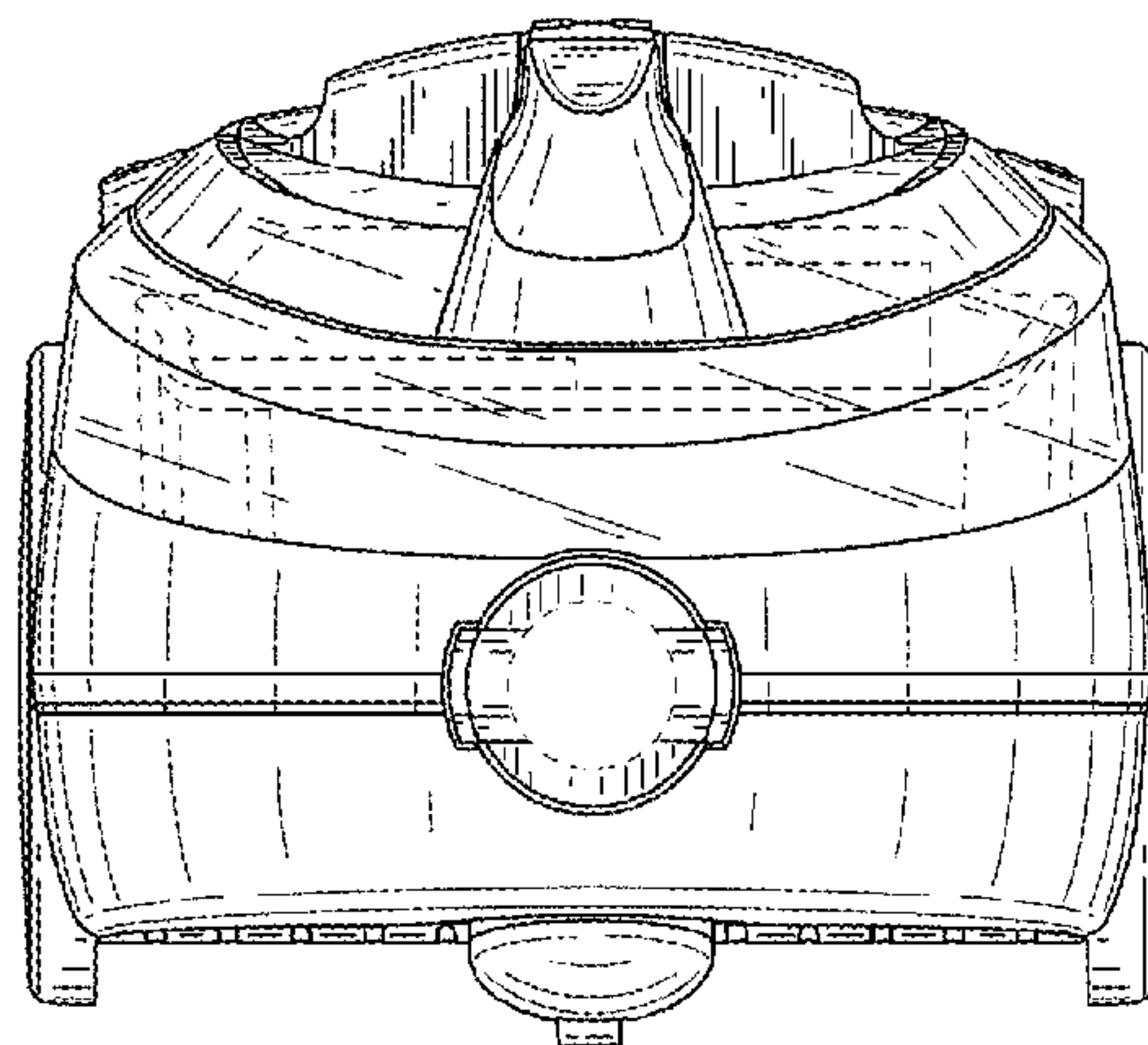
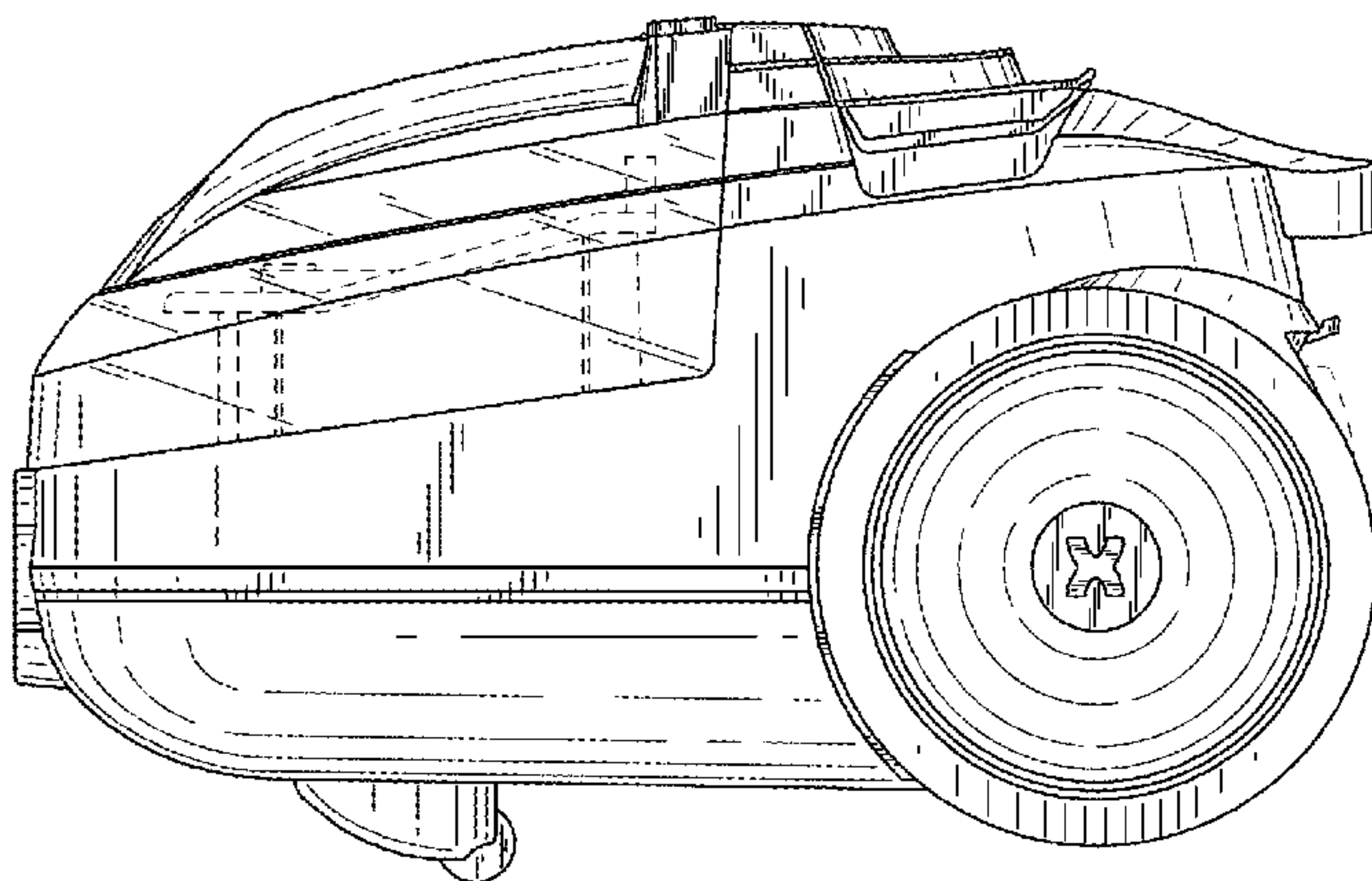
(56) **References Cited**

FIG. 1 is a right side view of a floor cleaning device embodying the invention;  
FIG. 2 is a left side view of the floor cleaning device of FIG. 1;  
FIG. 3 is a front view of the floor cleaning device of FIG. 1;  
FIG. 4 is a rear view of the floor cleaning device of FIG. 1;  
FIG. 5 is a top view of the floor cleaning device of FIG. 1; and  
FIG. 6 is a bottom view of the floor cleaning device of FIG. 1.  
The elements shown in broken lines are included for the purpose of illustrating environment and form no part of the claimed design.

**U.S. PATENT DOCUMENTS**

D368,993 S 4/1996 Stutzer et al.  
D373,665 S \* 9/1996 Nakamura et al. .... D32/21  
D394,528 S 5/1998 Pochopien et al.  
D417,323 S 11/1999 Fujita et al.  
D445,226 S 7/2001 Jupp  
6,484,350 B2 11/2002 Yung  
D476,783 S 7/2003 Kondo et al.  
D493,586 S 7/2004 Choi  
7,000,288 B2 2/2006 Nighy

**1 Claim, 3 Drawing Sheets**



(56)

**References Cited**

U.S. PATENT DOCUMENTS

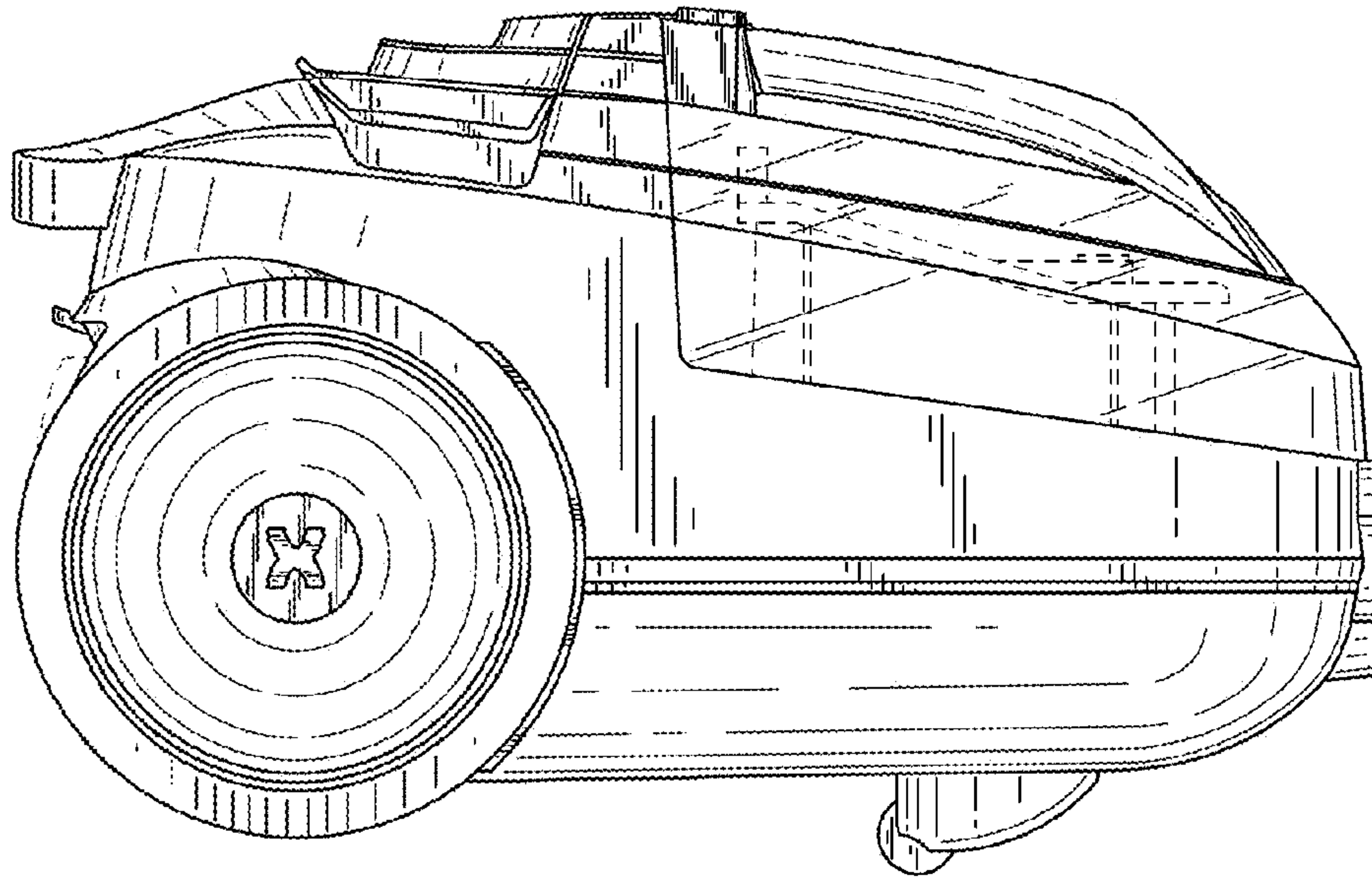
7,380,308 B2 6/2008 Oh et al.  
D594,162 S 6/2009 Knox et al.  
D600,415 S 9/2009 Svantesson  
D617,963 S 6/2010 Ayers  
D626,709 S \* 11/2010 Fjellman ..... D32/21  
D642,344 S \* 7/2011 Fjellman ..... D32/21  
D643,166 S \* 8/2011 Lee ..... D32/21  
D646,030 S 9/2011 Carr et al.  
D646,031 S 9/2011 Carr et al.  
D646,855 S \* 10/2011 Kim et al. .... D32/21  
D653,823 S 2/2012 Kim et al.  
D657,508 S 4/2012 Dyson et al.  
D657,921 S 4/2012 Lee

D664,316 S 7/2012 Kim  
D680,283 S 4/2013 Renault  
D682,494 S 5/2013 Kim et al.  
D702,901 S 4/2014 Fjellman  
D707,407 S 6/2014 Okabe et al.  
2002/0069476 A1 6/2002 Yung  
2013/0025086 A1 1/2013 Komae et al.

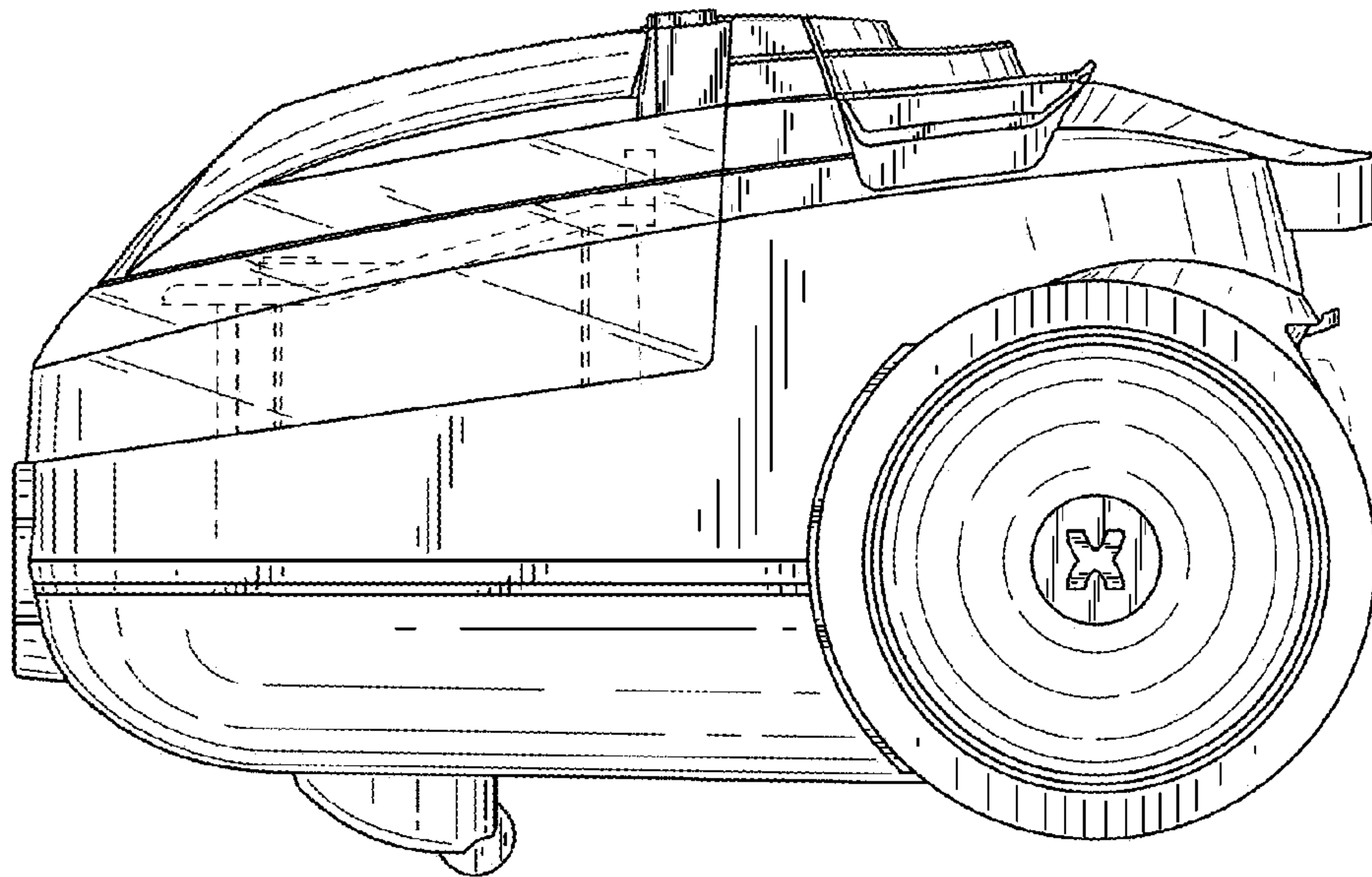
OTHER PUBLICATIONS

Co-pending U.S. Appl. No. 29/481,444, filed Feb. 6, 2013.  
Co-pending U.S. Appl. No. 29/481,445, filed Feb. 6, 2014.  
Co-pending U.S. Appl. No. 29/481,447, filed Feb. 6, 2014.  
Co-pending U.S. Appl. No. 29/481,449, filed Feb. 6, 2014.

\* cited by examiner

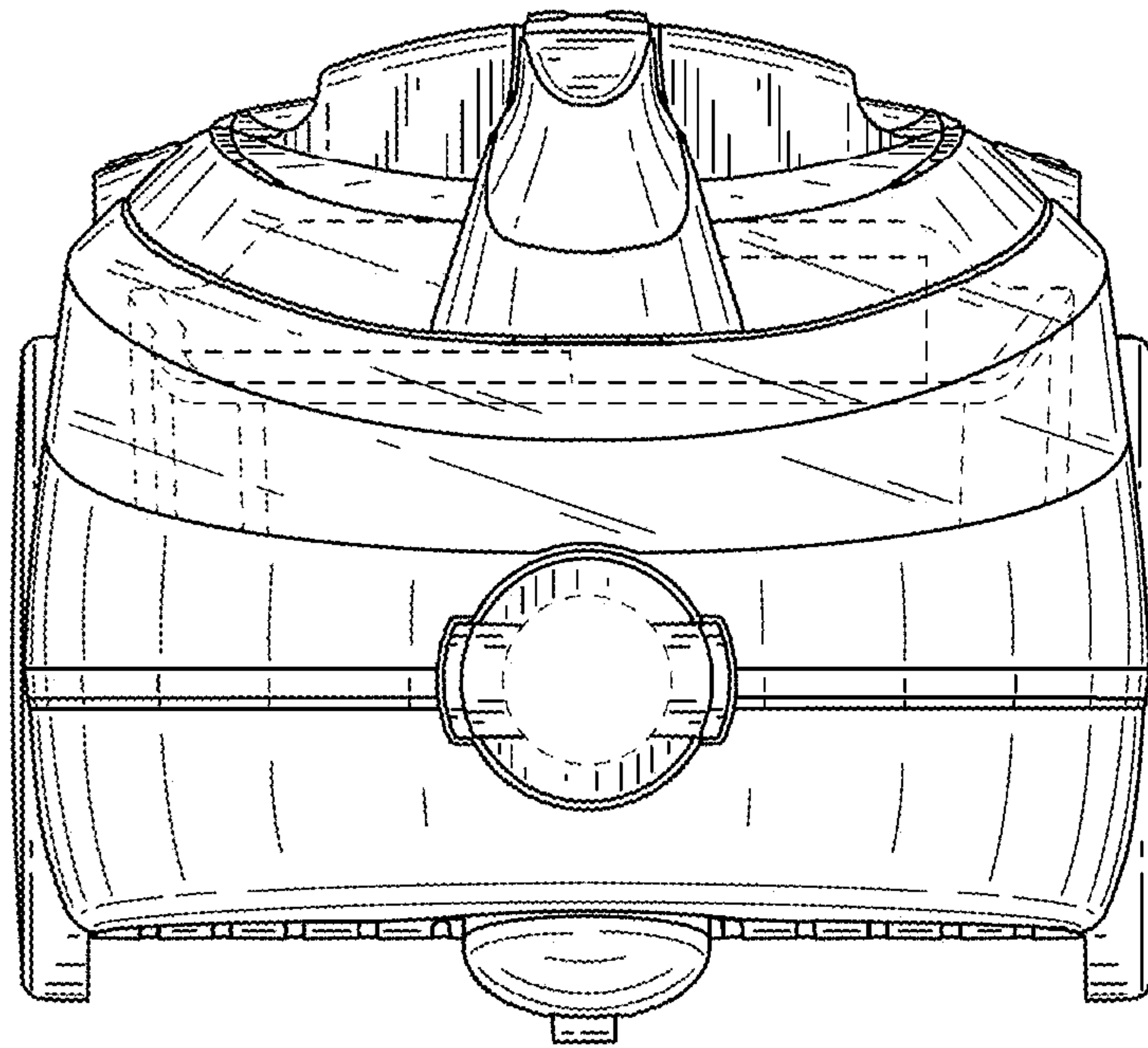


**FIG. 1**

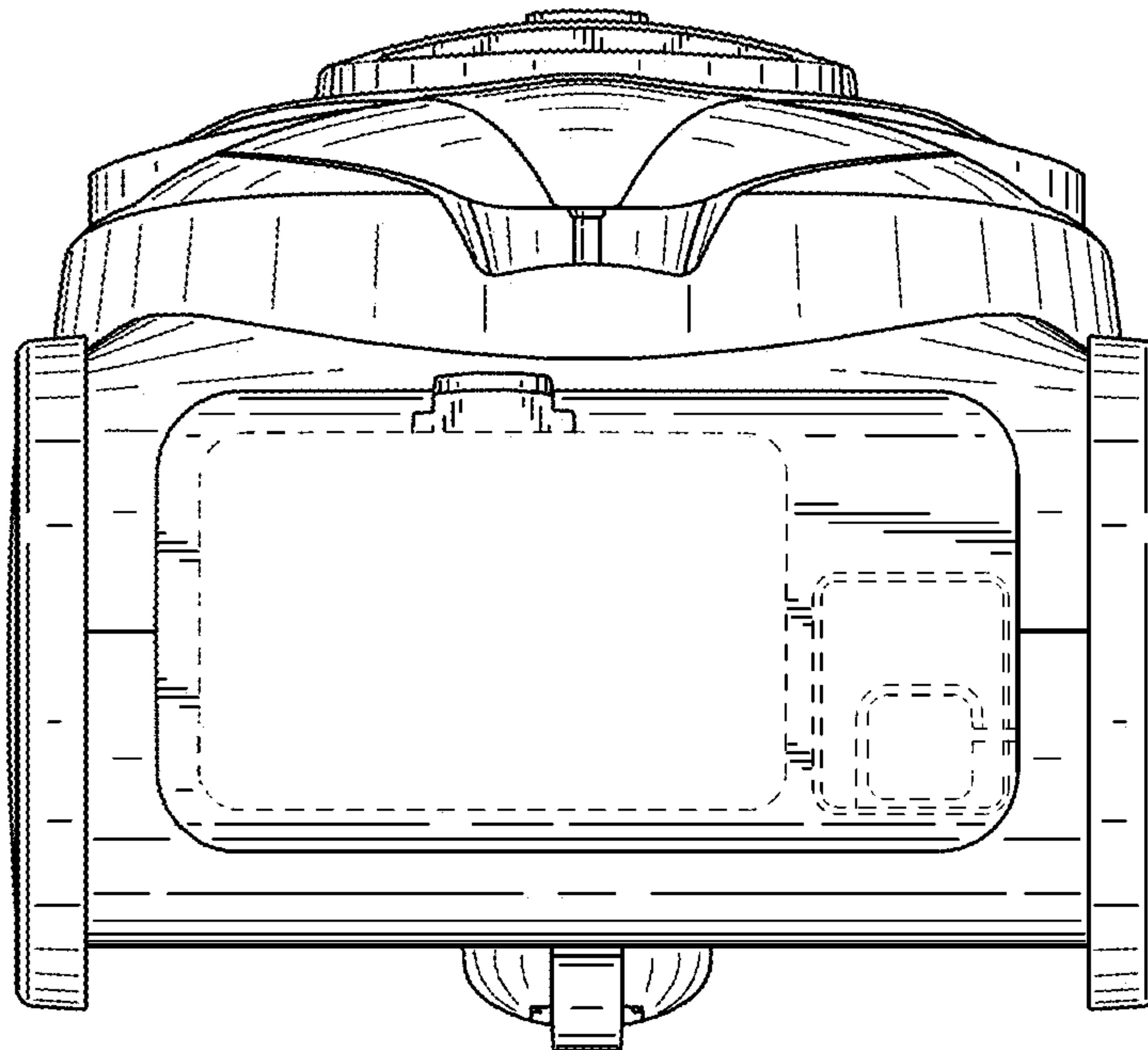


**FIG. 2**





**FIG. 3**



**FIG. 4**

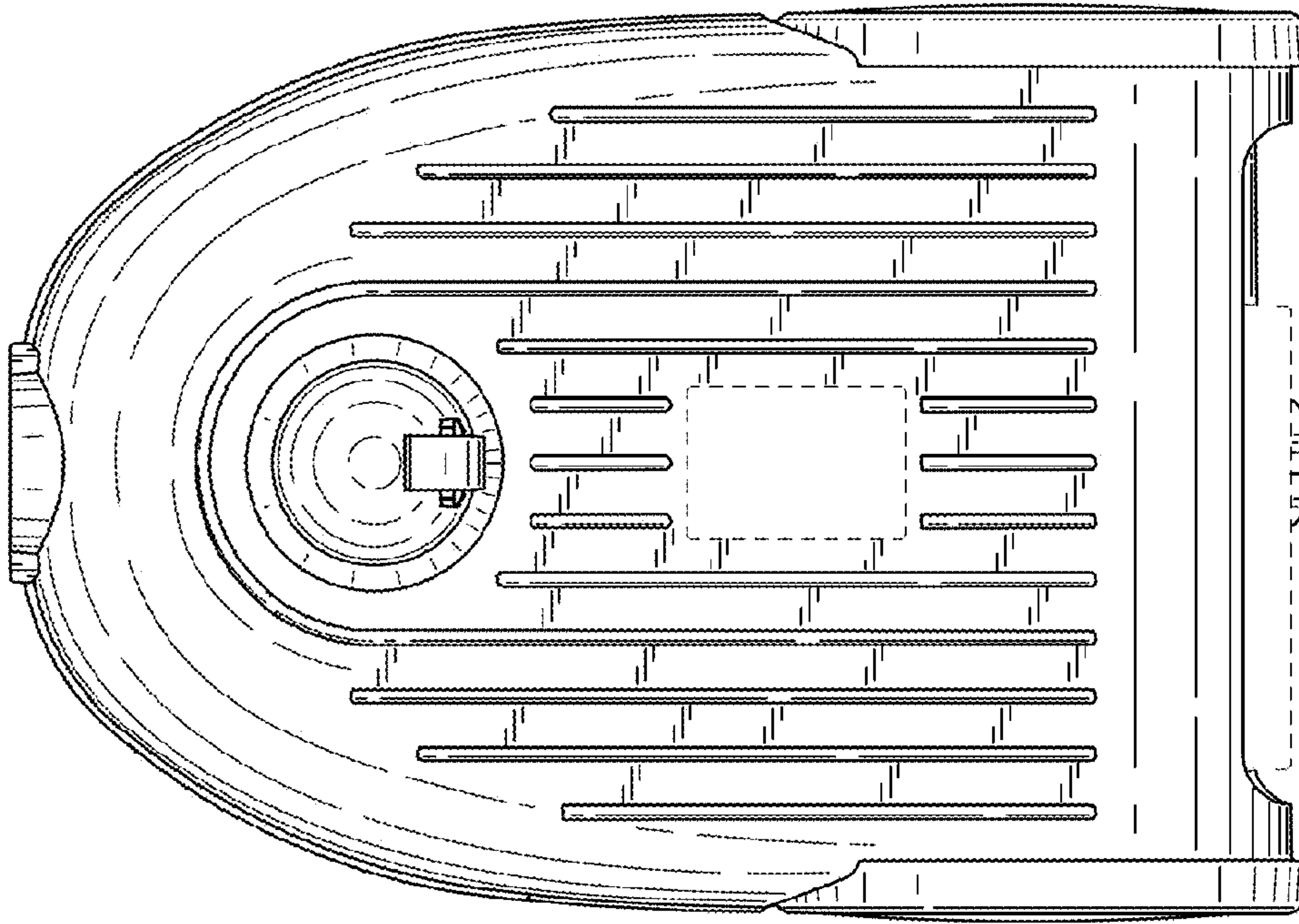


FIG. 6

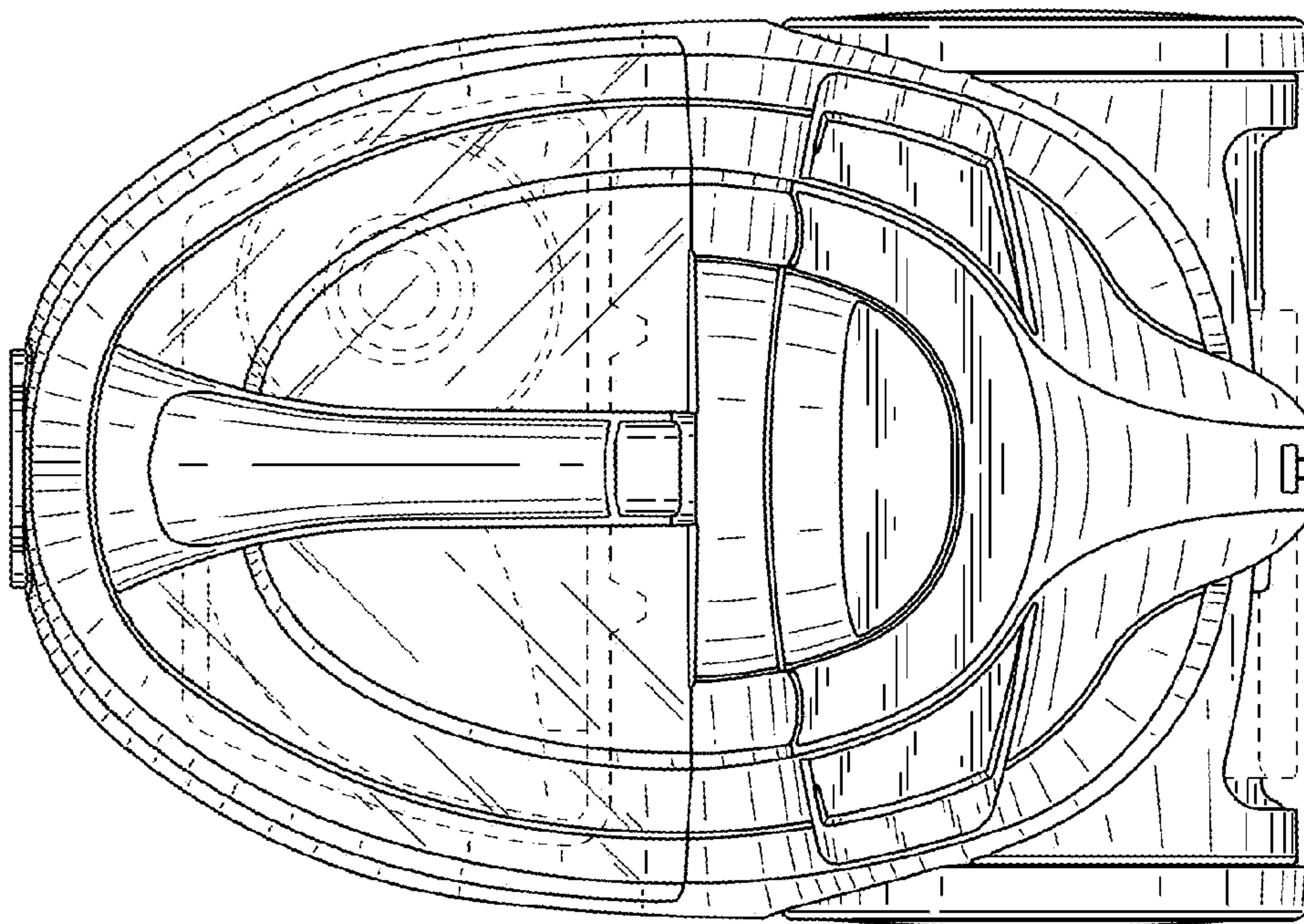


FIG. 5