



US00D762021S

(12) **United States Design Patent**
Qin et al.

(10) **Patent No.:** **US D762,021 S**
(45) **Date of Patent:** **** Jul. 19, 2016**

(54) **WASHING MACHINE**

(56) **References Cited**

(71) Applicant: **WUXI LITTLE SWAN CO., LTD.**,
New District Wuxi (CN)
(72) Inventors: **Su Qin**, New District Wuxi (CN);
Xusheng Feng, New District Wuxi (CN)
(73) Assignee: **WUXI LITTLE SWAN CO., LTD.**,
Wuxi (CN)

U.S. PATENT DOCUMENTS

D631,215 S *	1/2011	Song	D32/6
D633,261 S *	2/2011	Song	D32/6
D679,462 S *	4/2013	Zhang	D32/6
D694,965 S *	12/2013	Lee	D32/6
D701,656 S *	3/2014	Choi	D32/6
D729,998 S *	5/2015	Jeon	D32/6
D730,595 S *	5/2015	Jeong	D32/6
D733,372 S *	6/2015	Song	D32/6
D739,096 S *	9/2015	Qin	D32/6

(**) Term: **14 Years**

* cited by examiner

(21) Appl. No.: **29/523,422**

Primary Examiner — Susan Bennett Hattan

(22) Filed: **Apr. 9, 2015**

Assistant Examiner — Rebecca Tsehaye

(30) **Foreign Application Priority Data**

(74) *Attorney, Agent, or Firm* — Hodgson Russ LLP

Dec. 29, 2014 (CN) 2014 3 0558267

(51) **LOC (10) Cl.** **15-05**

(52) **U.S. Cl.**
USPC **D32/6**

(58) **Field of Classification Search**
USPC D32/6, 1, 5, 8, 10, 29, 29.1
CPC D06F 21/00; D06F 37/00; D06F 37/12;
D06F 37/14; D06F 39/00

See application file for complete search history.

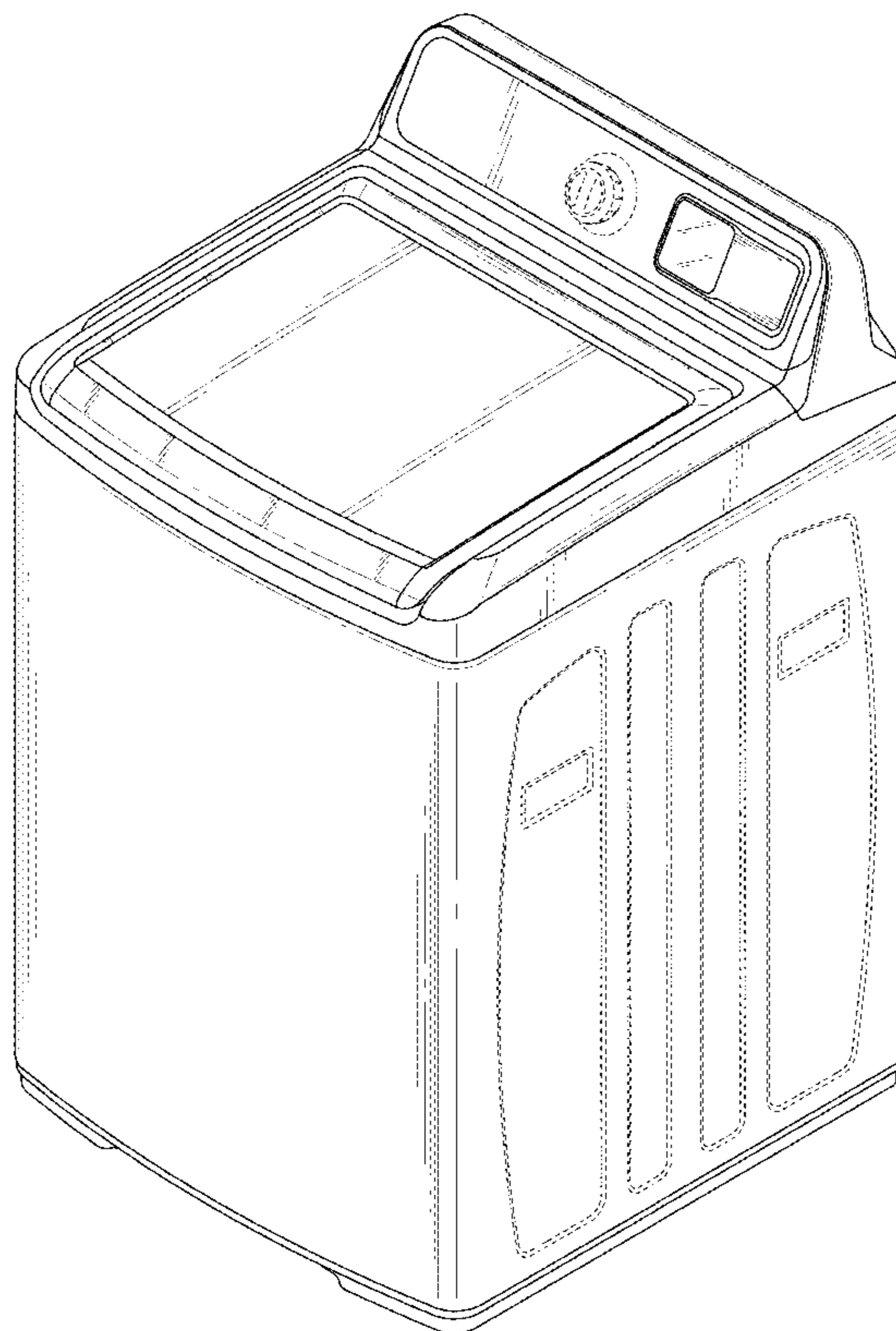
(57) **CLAIM**

The ornamental design for a washing machine, as shown and described.

DESCRIPTION

FIG. 1 is a perspective view of a washing machine;
FIG. 2 is a front view thereof;
FIG. 3 is a rear view thereof;
FIG. 4 is a left side view thereof;
FIG. 5 is a right side view thereof;
FIG. 6 is a top view thereof; and,
FIG. 7 is a bottom view thereof.
The broken lines in the drawings depict portions of the washing machine that form no part of the claimed design.

1 Claim, 6 Drawing Sheets



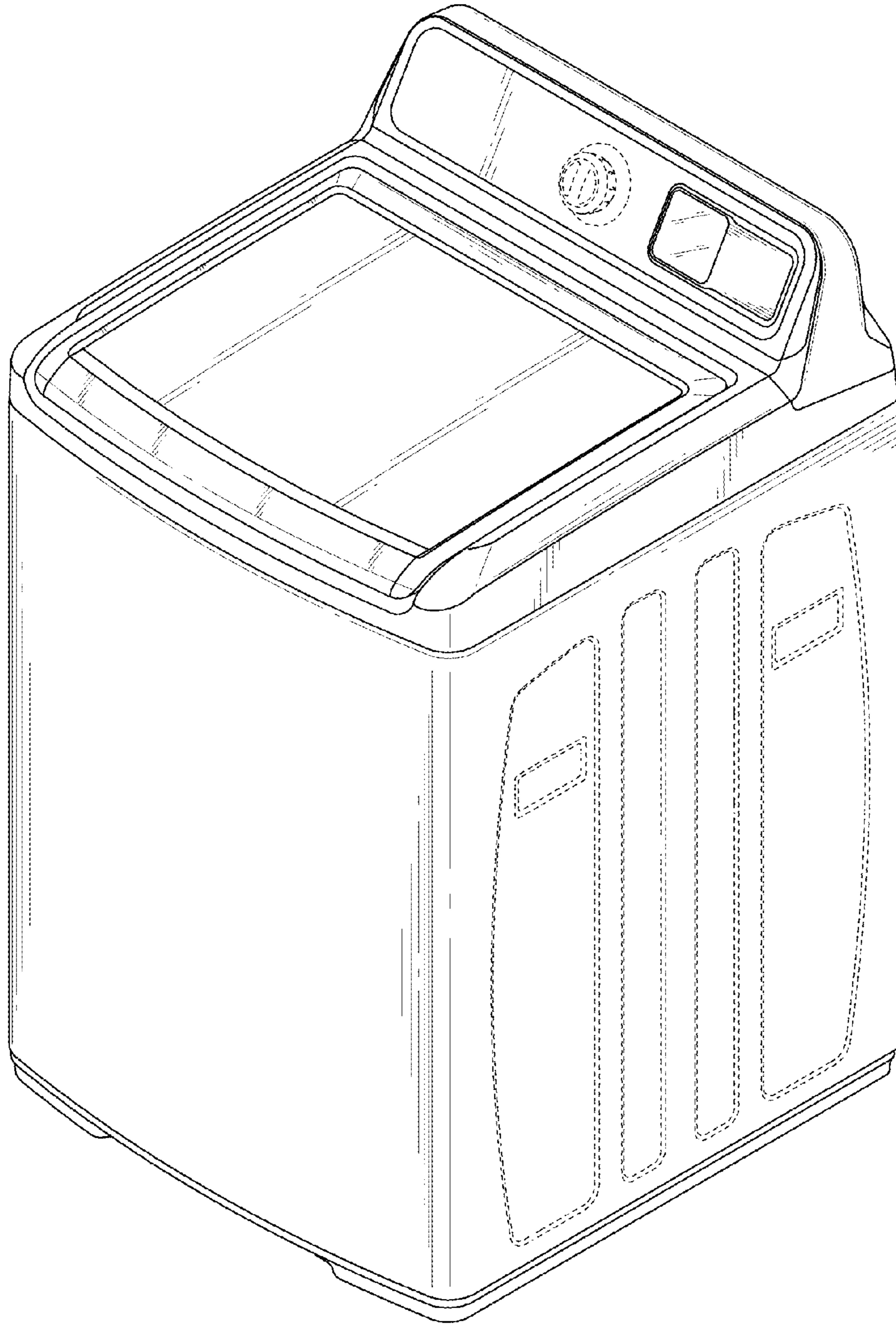


FIG. 1

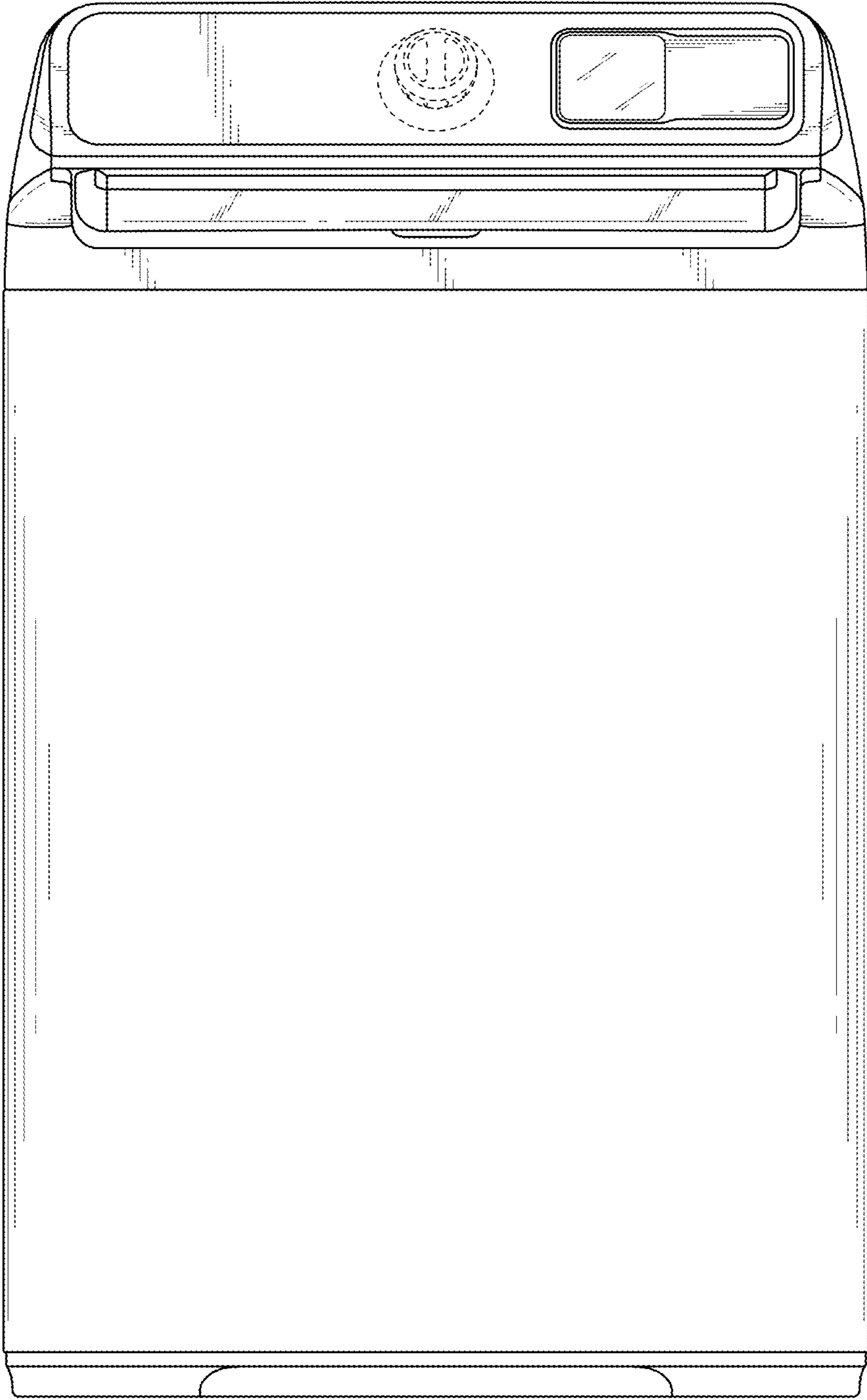


FIG. 2

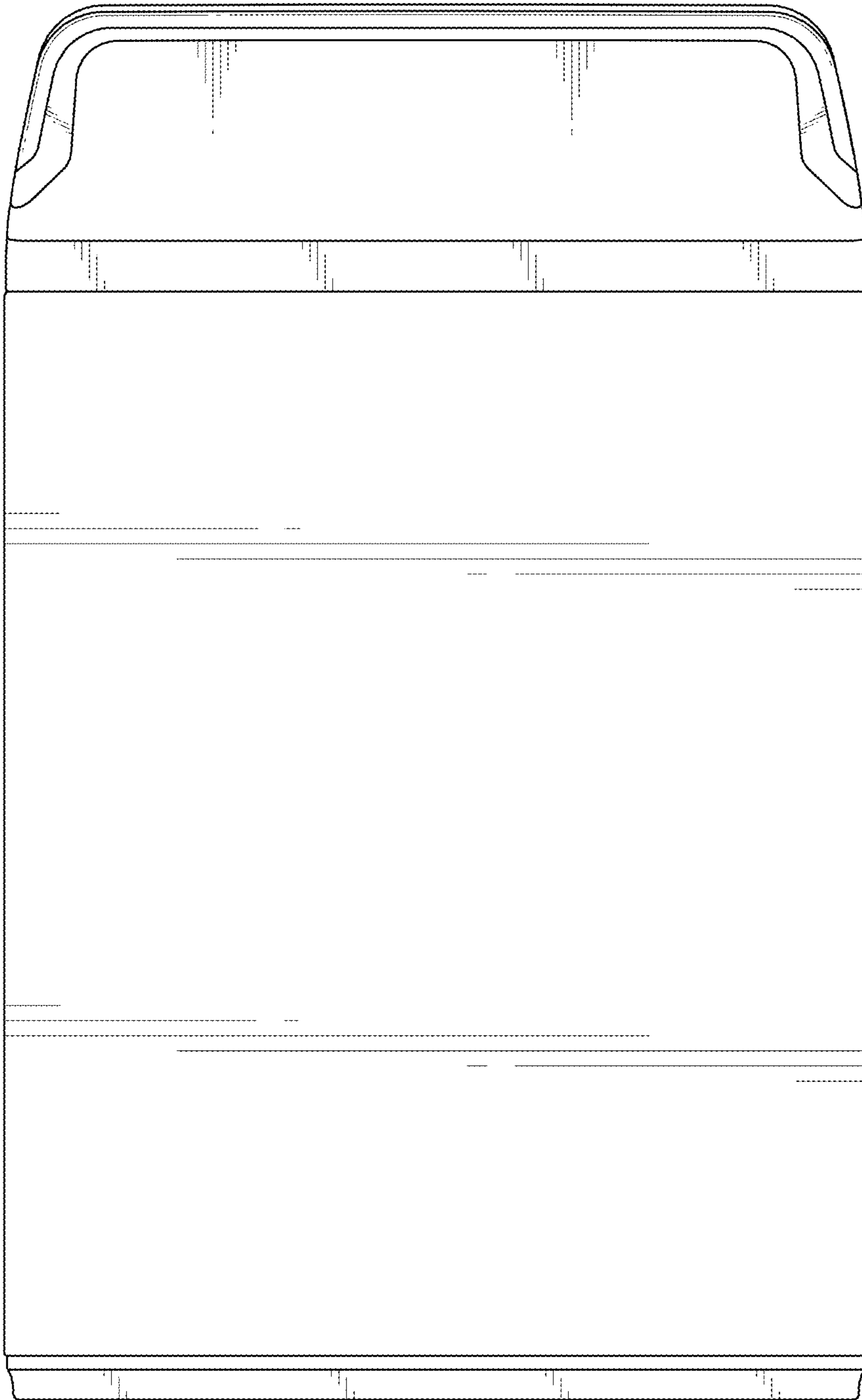


FIG. 3

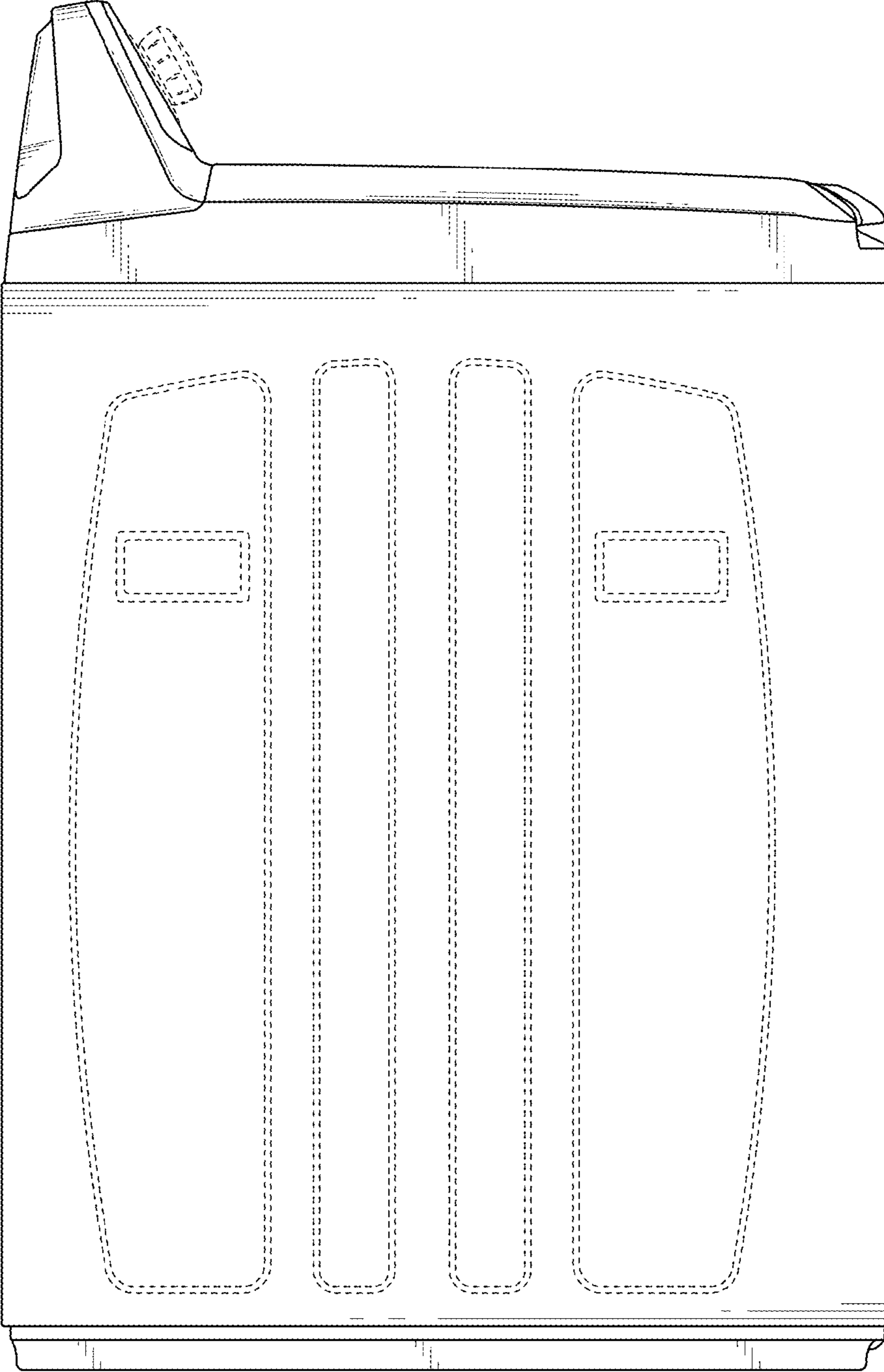


FIG. 4

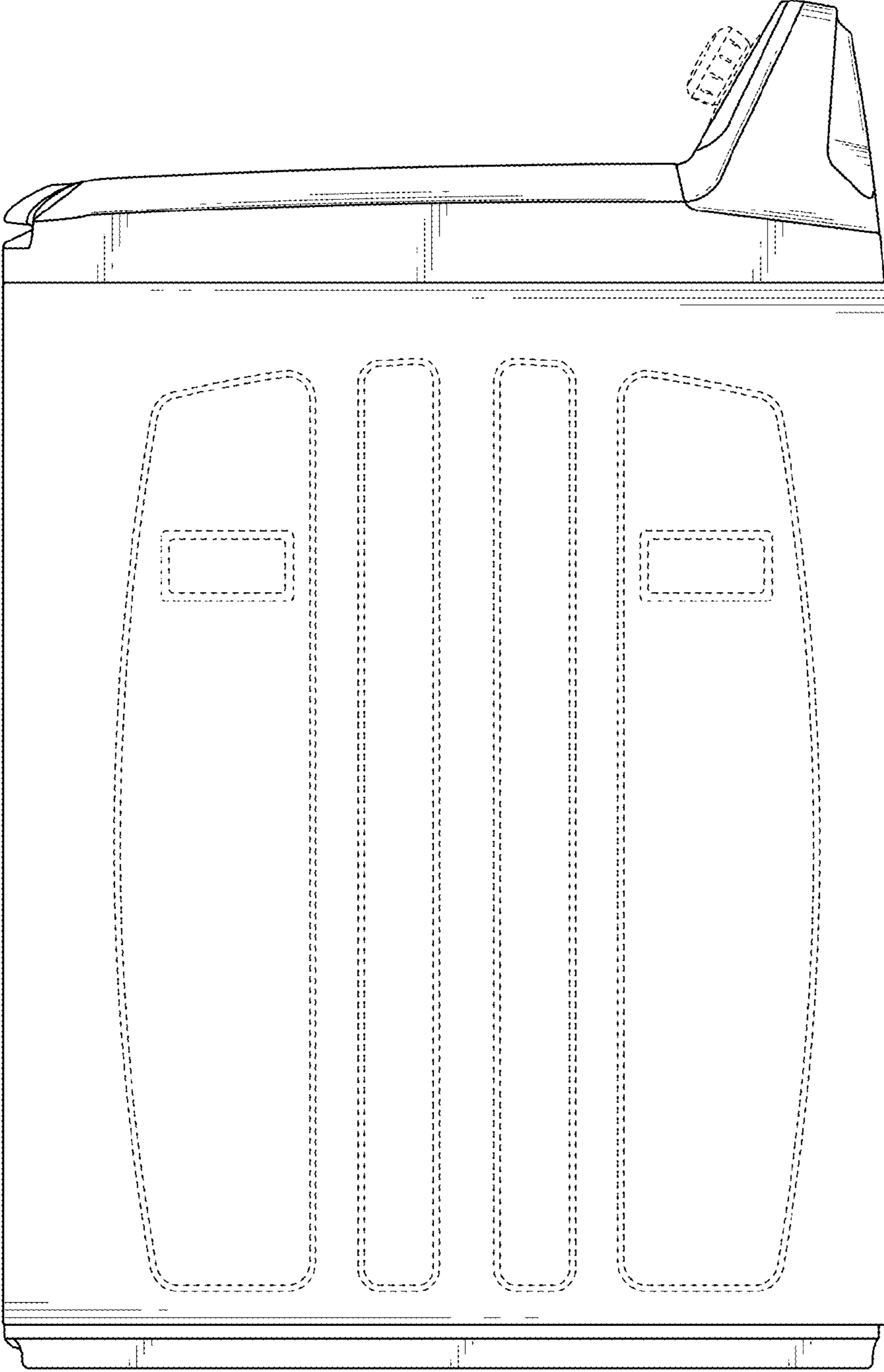


FIG. 5

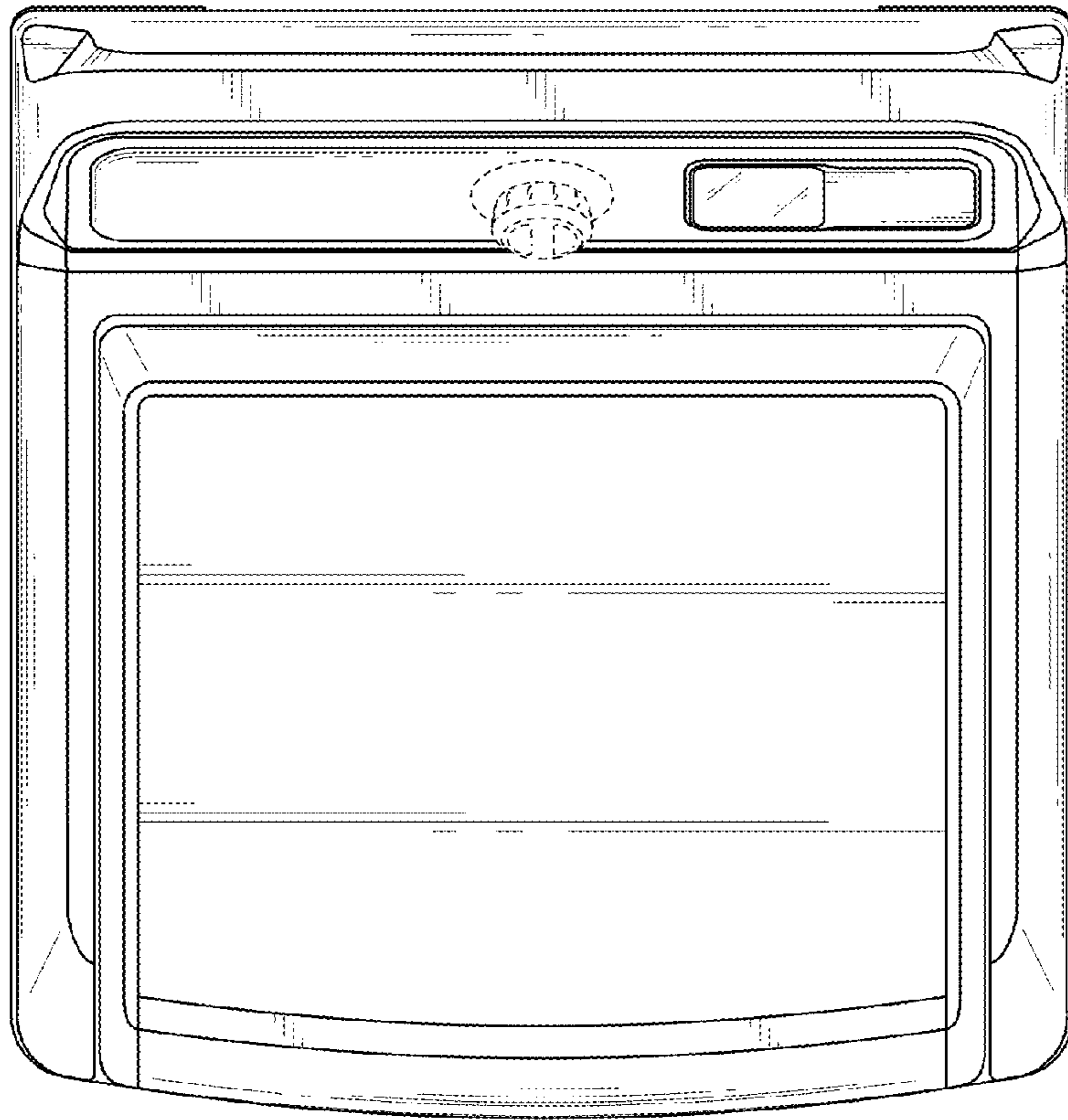


FIG. 6

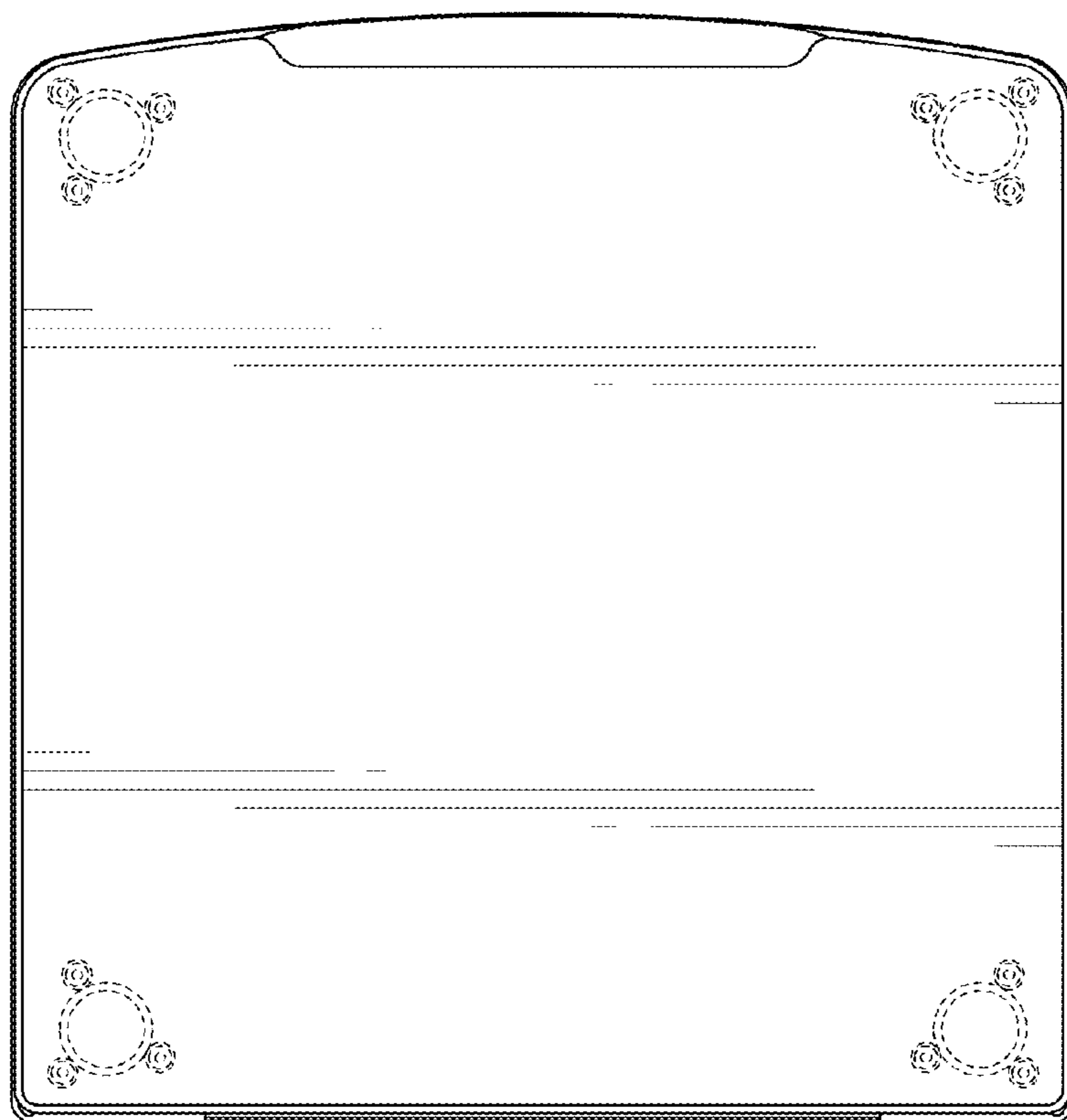


FIG. 7