



US00D762020S

(12) **United States Design Patent**
Kahwaji et al.

(10) **Patent No.:** **US D762,020 S**
(45) **Date of Patent:** **** Jul. 19, 2016**

(54) **BOTTLE WASH**

(71) Applicant: **Whirlpool Corporation**, Benton Harbor, MI (US)

(72) Inventors: **Michael Kahwaji**, St. Joseph, MI (US);
Jonathan D. Pugh, Benton Harbor, MI (US); **Ameresh B. Viswanathan**, St. Joseph, MI (US)

(73) Assignee: **Whirlpool Corporation**, Benton Harbor, MI (US)

(**) Term: **15 Years**

(21) Appl. No.: **29/531,370**

(22) Filed: **Jun. 25, 2015**

(51) **LOC (10) Cl.** **15-05**

(52) **U.S. Cl.**
USPC **D32/3**

(58) **Field of Classification Search**
USPC D32/3, 1, 2, 25; 134/11, 135, 144, 148, 134/176, 179, 187, 188; 239/246, 248, 251
CPC B08B 3/02; B08B 3/22; B08B 5/02; B08B 9/34; A47L 15/16; A47L 15/18; A47L 15/42; A47L 15/50

See application file for complete search history.

(56) **References Cited**

U.S. PATENT DOCUMENTS

D376,451 S * 12/1996 Osborn D32/3
5,720,307 A * 2/1998 Engelking B08B 3/02
134/100.1
5,851,308 A * 12/1998 Engelking B08B 3/02
134/22.17
6,415,802 B1 * 7/2002 Clixby B08B 3/022
134/140

8,349,089 B2 * 1/2013 Bertsch A47L 15/16
134/135
D750,855 S * 3/2016 Lee D32/3
2003/0047198 A1 * 3/2003 Fagnoli B08B 9/34
134/22.18
2003/0115710 A1 * 6/2003 Choi B08B 5/02
15/309.2
2009/0255511 A1 * 10/2009 Panchal F02M 63/0225
123/456
2014/0290705 A1 * 10/2014 Quimpo B08B 9/34
134/99.2
2014/0318576 A1 * 10/2014 Teruggi B08B 9/38
134/6

* cited by examiner

Primary Examiner — Rosemary K Tarcza
Assistant Examiner — Yolanda Robinson

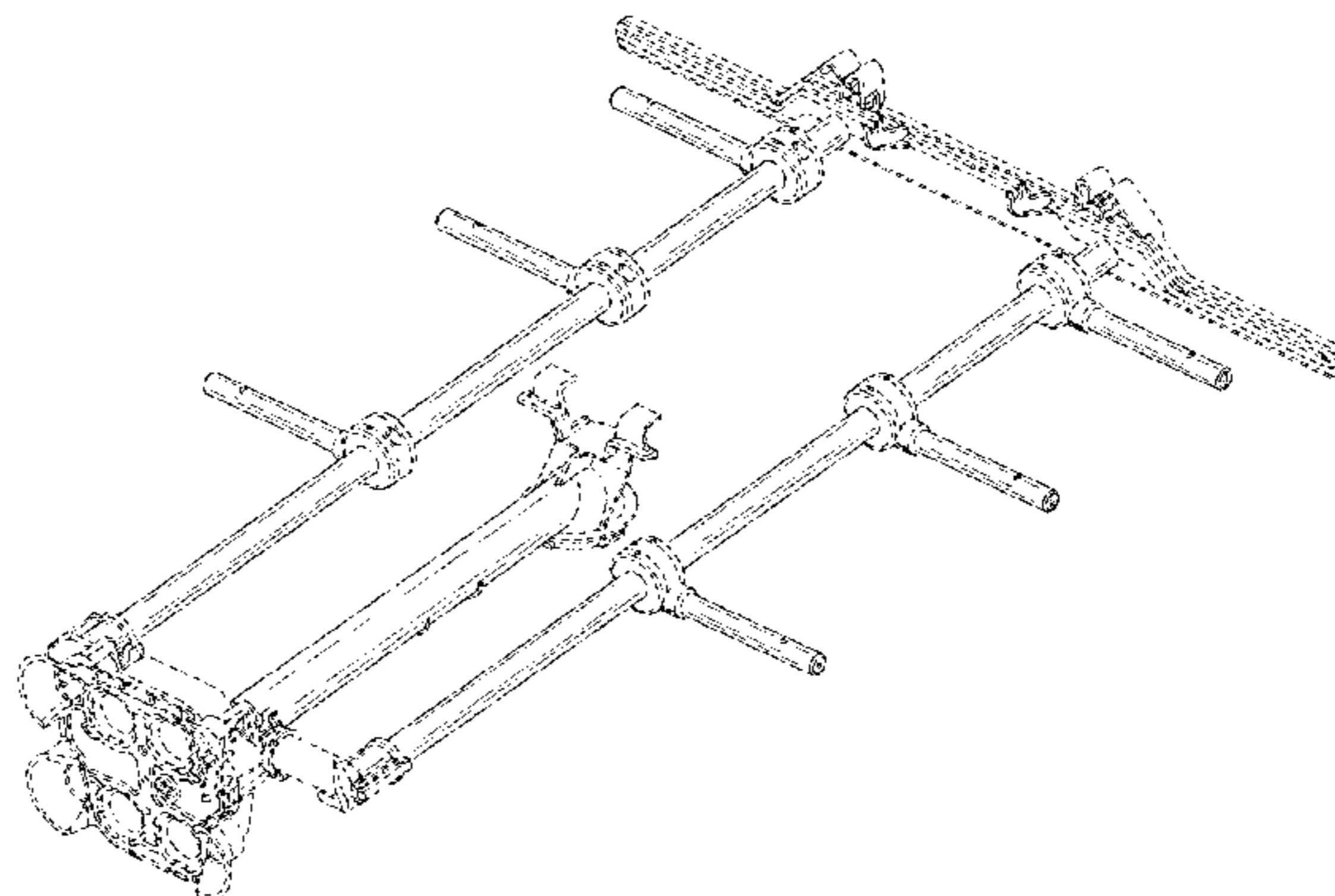
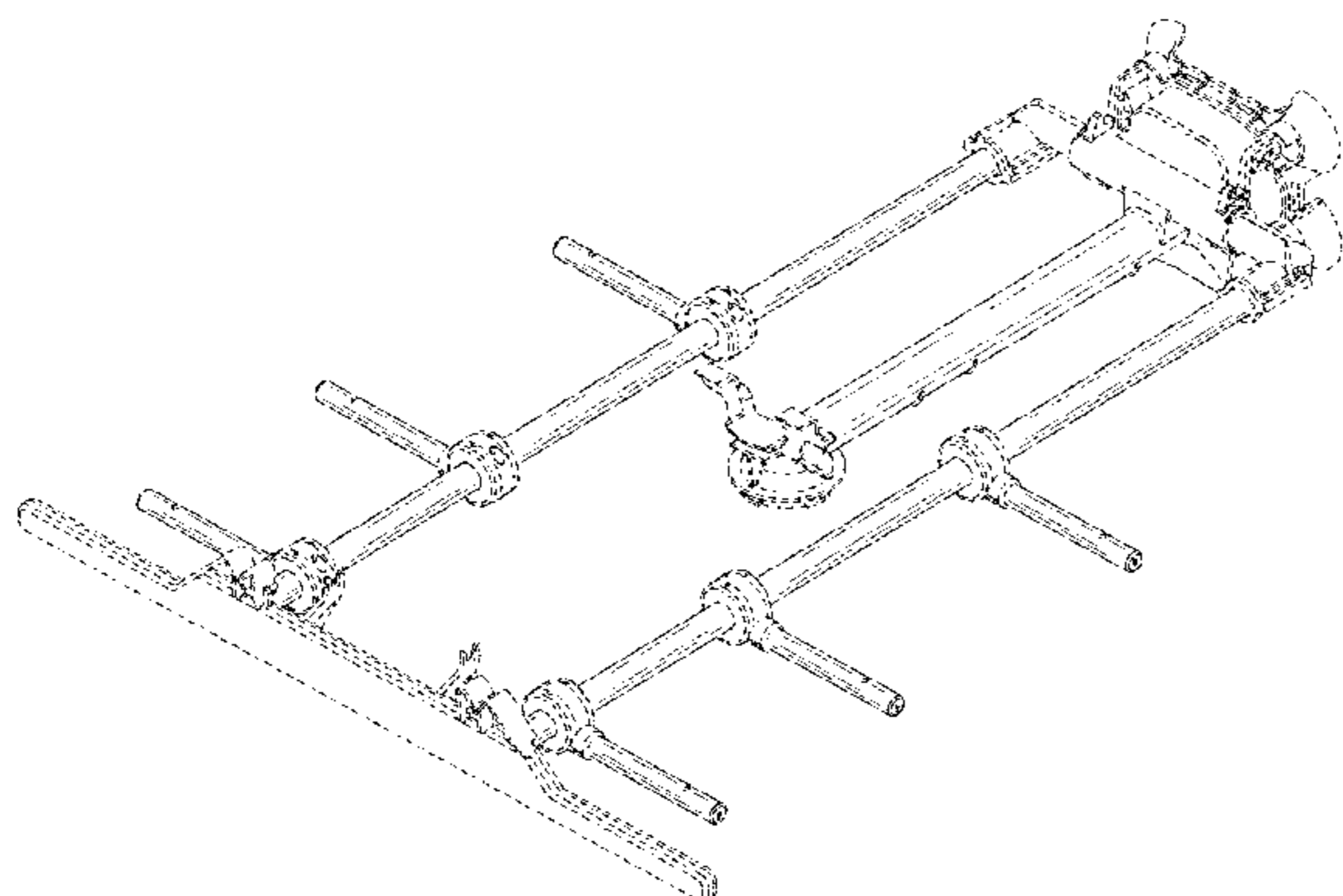
(57) **CLAIM**

We claim the ornamental design for a bottle wash, as shown and described.

DESCRIPTION

FIG. 1 is a front perspective view of a bottle wash of the present disclosure;
FIG. 2 is a rear perspective view of the bottle wash of FIG. 1;
FIG. 3 is a first side elevational view of the bottle wash of FIG. 1;
FIG. 4 is a second side elevational view of the bottle wash of FIG. 1;
FIG. 5 is a third side elevational view of the bottle wash of FIG. 1;
FIG. 6 is a fourth side elevational view of the bottle wash of FIG. 1;
FIG. 7 is a top plan view of the bottle wash of FIG. 1; and,
FIG. 8 is a bottom plan view of the bottle wash of FIG. 1.
Broken lines are environmental only and form no part of the claimed design.

1 Claim, 4 Drawing Sheets



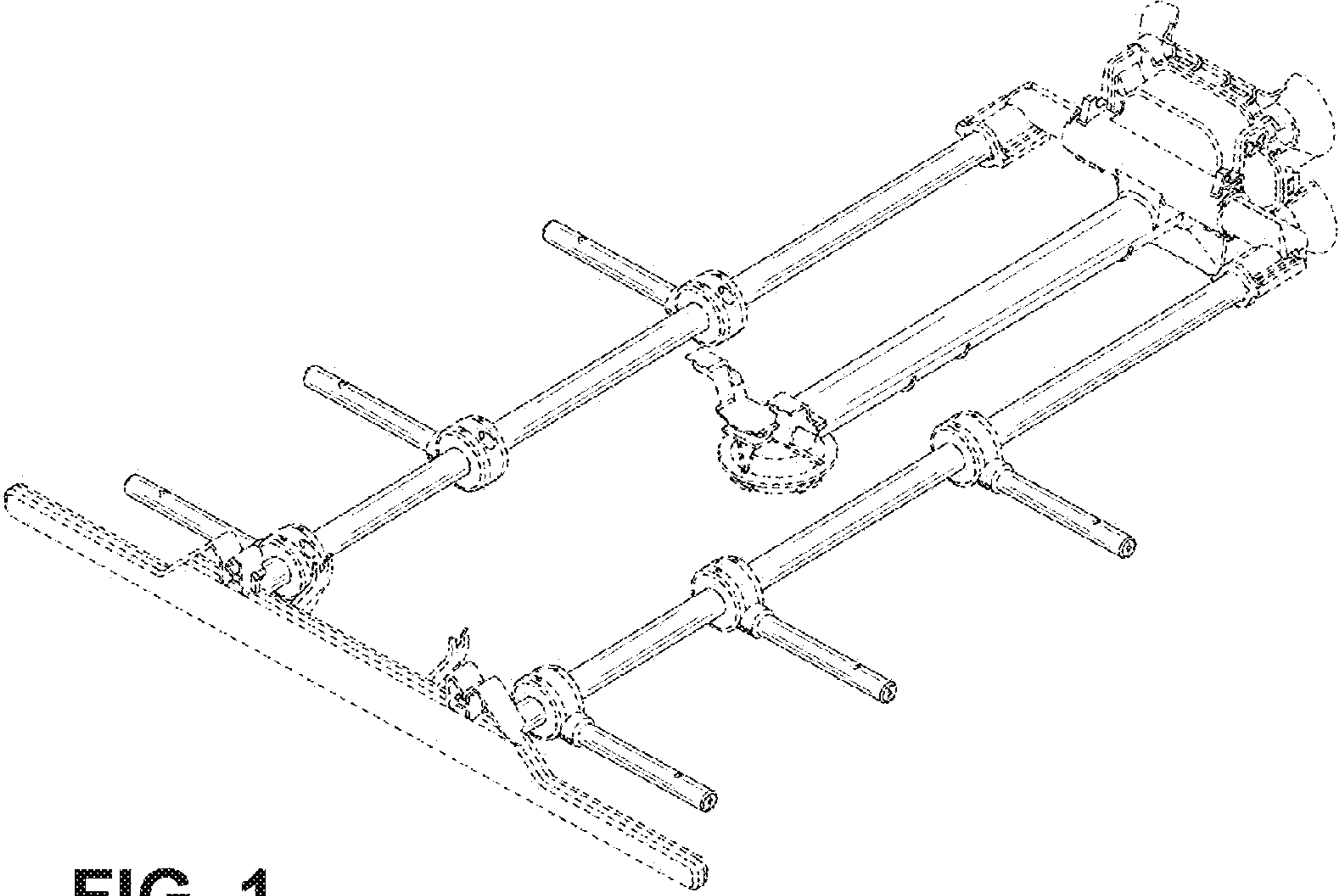


FIG. 1

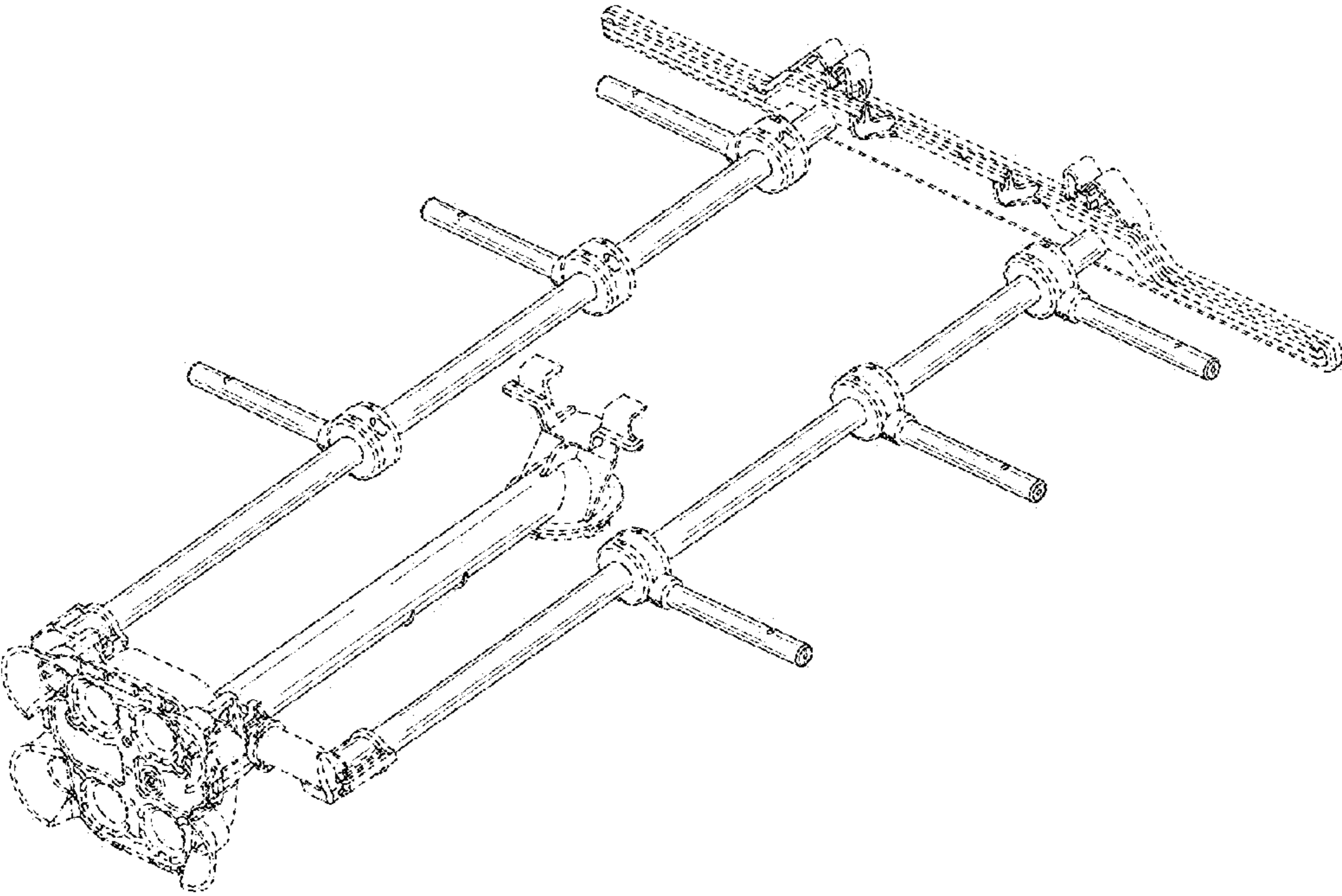


FIG. 2

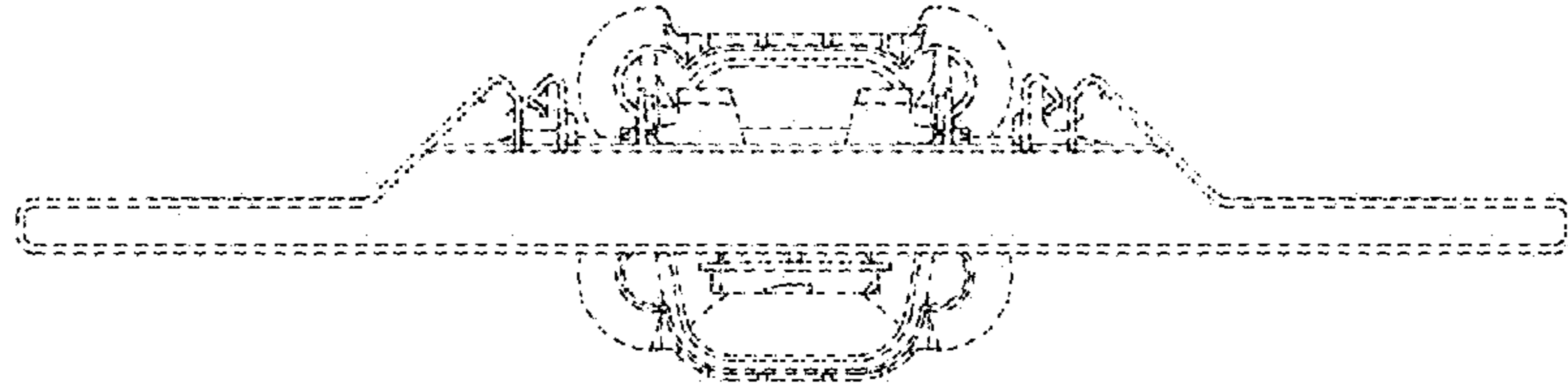


FIG. 3

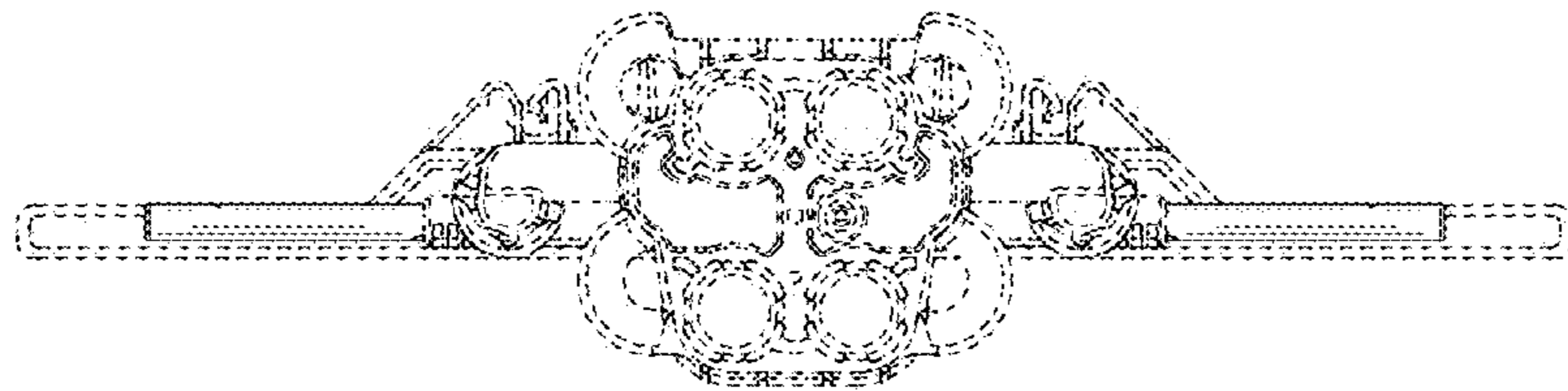


FIG. 4

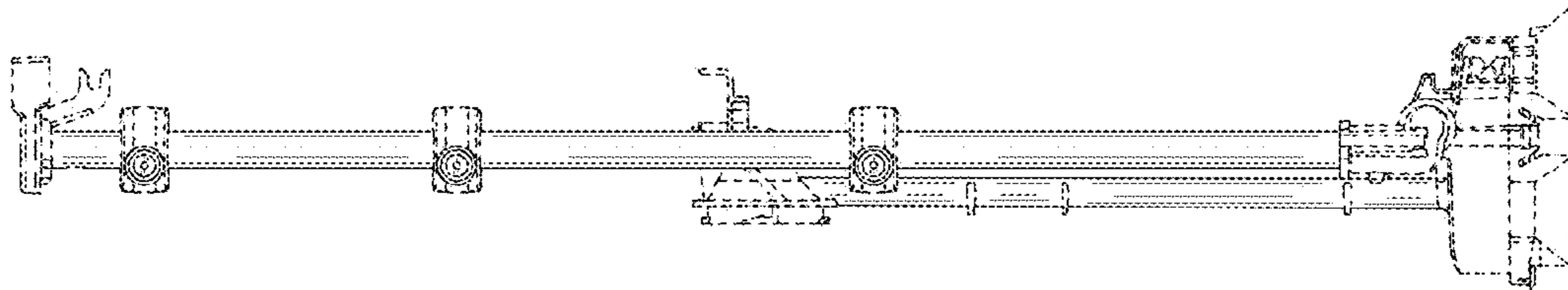


FIG. 5

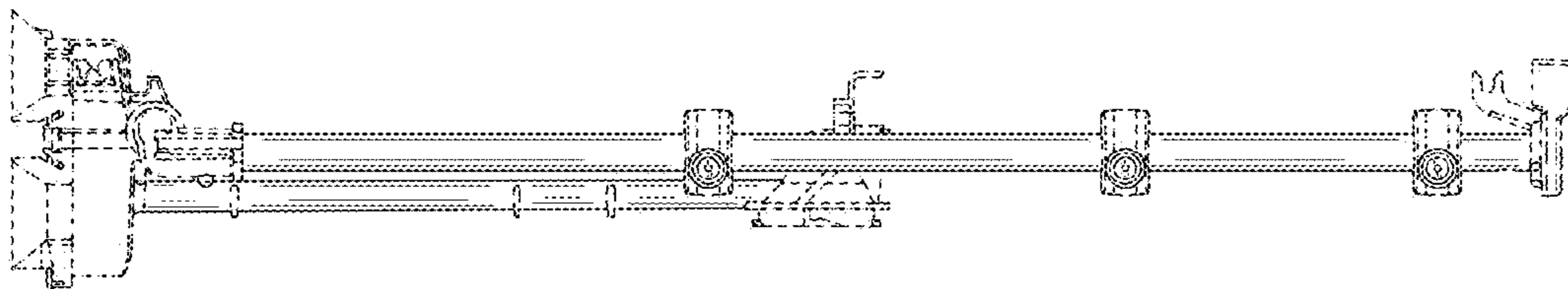


FIG. 6

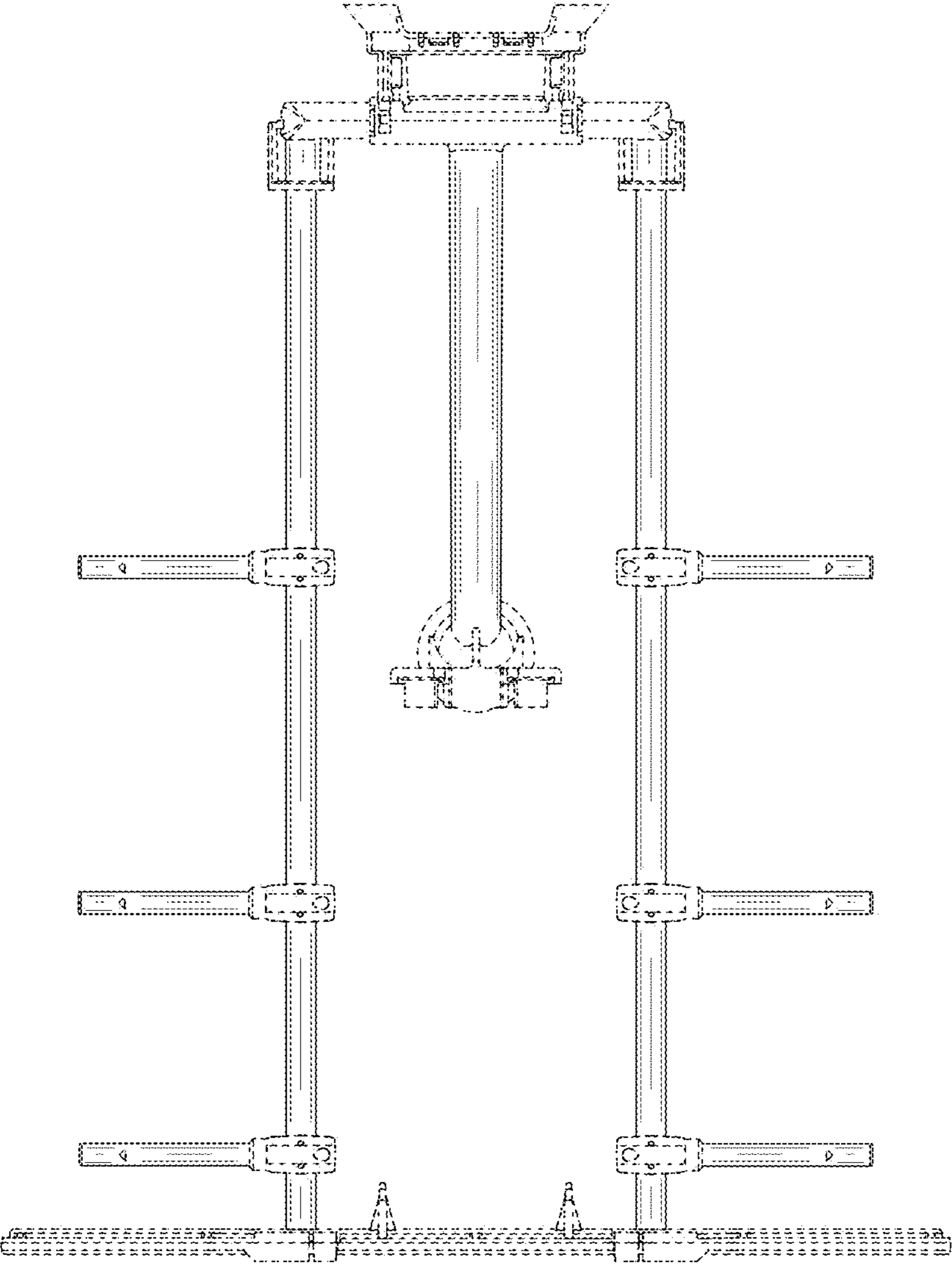


FIG. 7

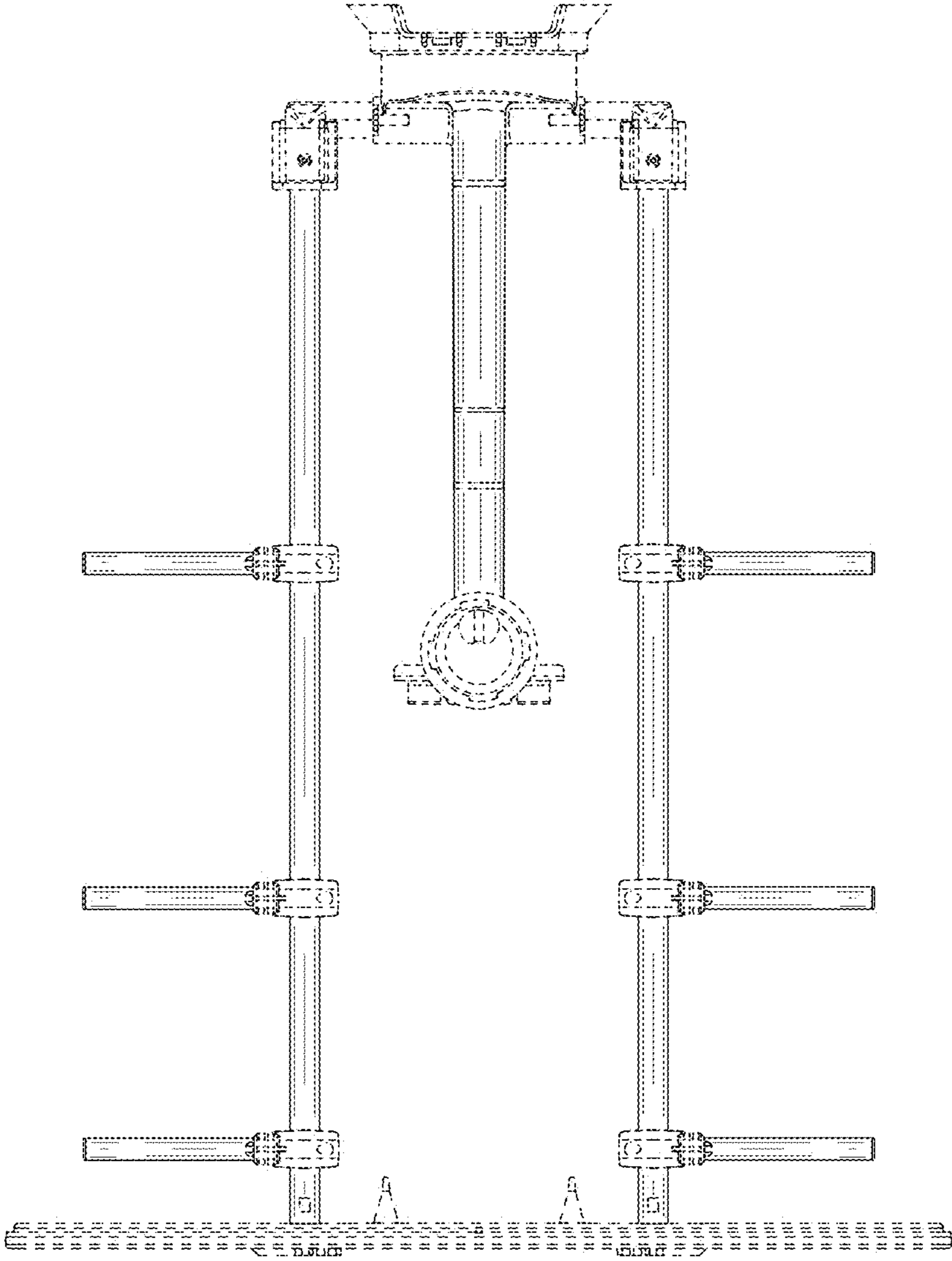


FIG. 8