



US00D762019S

(12) **United States Design Patent**
Ferencevich et al.

(10) **Patent No.:** **US D762,019 S**
(45) **Date of Patent:** **** Jul. 19, 2016**

(54) **DISH RACK**

D710,061 S * 7/2014 Scherrer D32/3
D725,325 S * 3/2015 Lee D32/3
9,155,447 B2 * 10/2015 Baldwin A47L 15/508

(71) Applicant: **Whirlpool Corporation**, Benton Harbor, MI (US)

(Continued)

(72) Inventors: **Joseph T. Ferencevich**, St. Joseph, MI (US); **Michael Kahwaji**, St. Joseph, MI (US); **Michael S. Seeley**, South Haven, MI (US); **William J. Snell**, Elkhart, IN (US); **Ameresh B. Viswanathan**, St. Joseph, MI (US)

Primary Examiner — Rosemary K Tarcza
Assistant Examiner — Yolanda Robinson

(57) **CLAIM**

We claim the ornamental design for a dish rack, as shown and described.

DESCRIPTION

(73) Assignee: **Whirlpool Corporation**, Benton Harbor, MI (US)

FIG. 1 is a front perspective view of one embodiment of a dish rack of the present disclosure;

(**) Term: **14 Years**

FIG. 2 is a rear perspective view of the dish rack of FIG. 1;

(21) Appl. No.: **29/525,128**

FIG. 3 is a front elevational view of the dish rack of FIG. 1;

(22) Filed: **Apr. 27, 2015**

FIG. 4 is a rear elevational view of the dish rack of FIG. 1;

(51) **LOC (10) Cl.** **15-05**

FIG. 5 is a first side elevational view of the dish rack of FIG. 1;

(52) **U.S. Cl.**

USPC **D32/3**

FIG. 6 is a second side elevational view of the dish rack of FIG. 1;

(58) **Field of Classification Search**

USPC D32/1, 2, 3, 25, 33; 134/198, 199, 200; 312/228, 228.1

FIG. 7 is a top plan view of the dish rack of FIG. 1;

CPC A47L 15/50; A47L 15/503; A47L 15/504; A47L 15/505; A47L 15/508

FIG. 8 is a bottom plan view of the dish rack of FIG. 1;

See application file for complete search history.

FIG. 9 is a front perspective view of another embodiment of a dish rack of the present disclosure;

FIG. 10 is a rear perspective view of the dish rack of FIG. 9;

FIG. 11 is a front elevational view of the dish rack of FIG. 9;

FIG. 12 is a rear elevational view of the dish rack of FIG. 9;

FIG. 13 is a first side elevational view of the dish rack of FIG. 9;

FIG. 14 is a second side elevational view of the dish rack of FIG. 9;

FIG. 15 is a top plan view of the dish rack of FIG. 9; and,

FIG. 16 is a bottom plan view of the dish rack of FIG. 9.

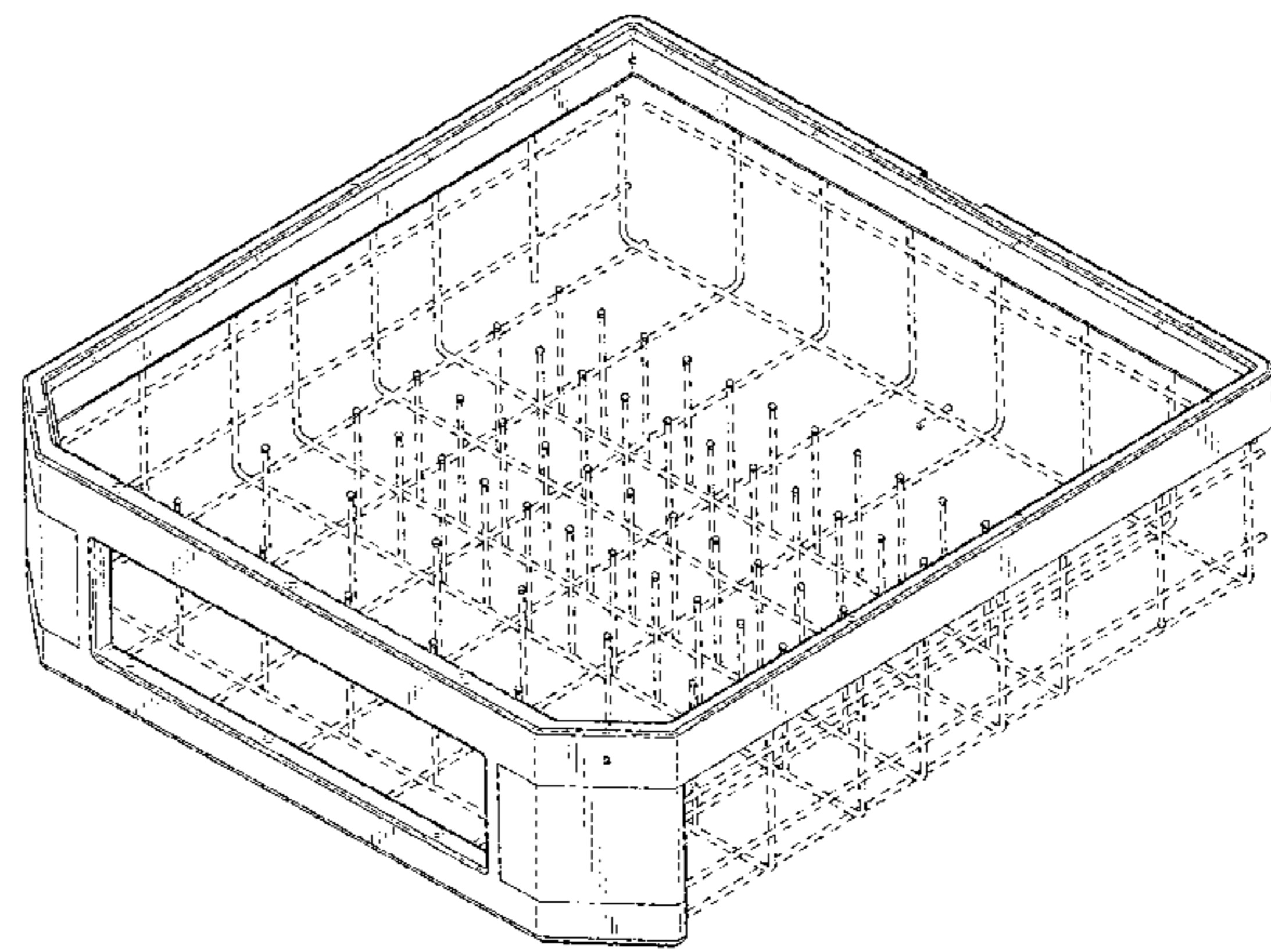
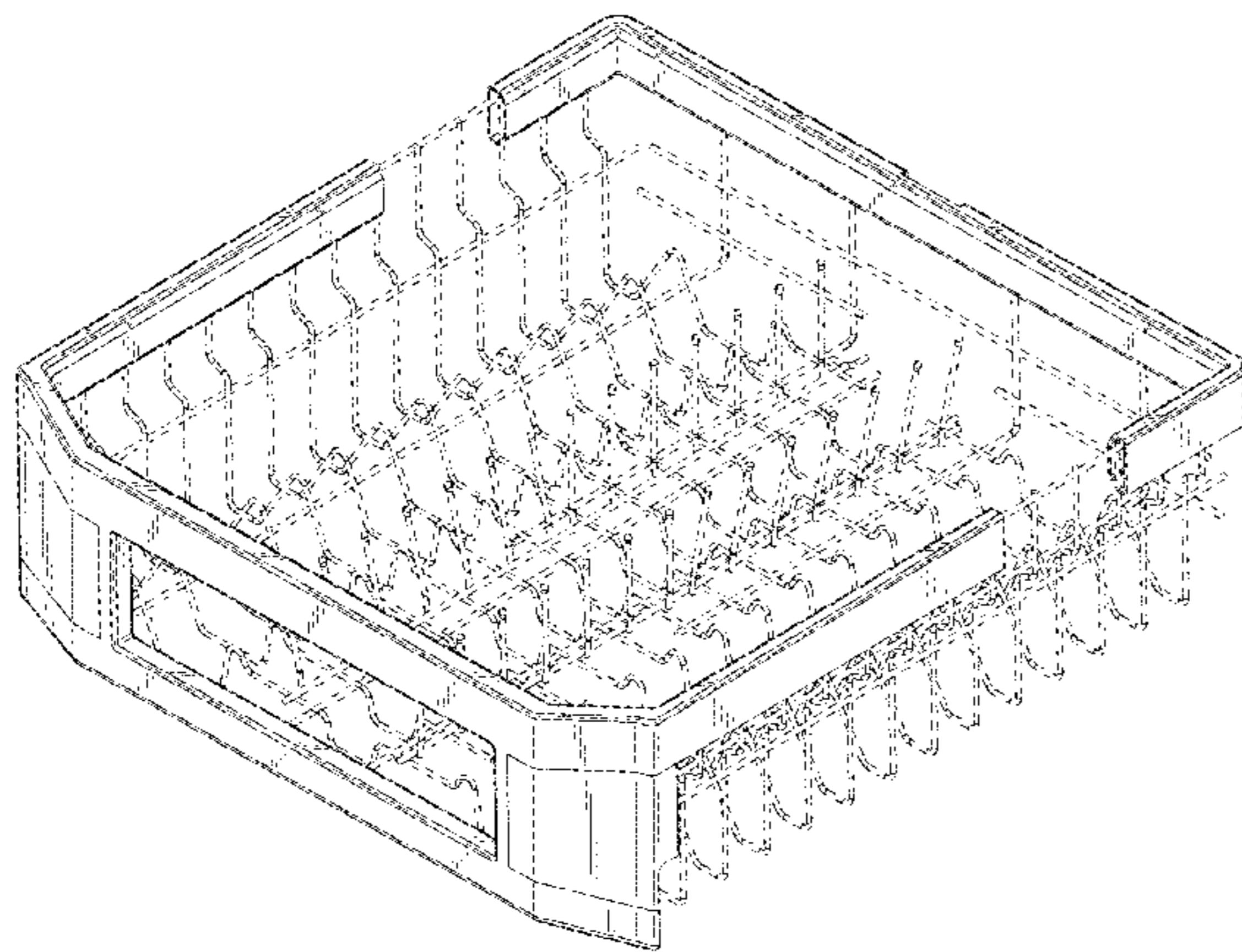
Broken lines are environmental only and form no part of the claimed design.

(56) **References Cited**

U.S. PATENT DOCUMENTS

D481,179 S * 10/2003 Wendt D3/309
D683,087 S * 5/2013 Clores D32/3
D683,504 S * 5/2013 Clores D32/3
D688,426 S * 8/2013 Clores D32/3
D703,396 S * 4/2014 Scherrer D32/3

1 Claim, 8 Drawing Sheets



(56)

References Cited

U.S. PATENT DOCUMENTS

2005/0104488 A1* 5/2005 Hunt A47L 15/50
312/228.1
2010/0314977 A1* 12/2010 Mallory A47L 15/504
312/228.1
2012/0139400 A1* 6/2012 Hofpeter A47L 15/505
312/228.1
2012/0293054 A1* 11/2012 Klump A47L 15/50
312/228.1
2013/0328463 A1* 12/2013 Tarcy A47L 15/50
312/228

2014/0083472 A1* 3/2014 Baldwin A47L 15/0084
134/198
2014/0130834 A1* 5/2014 Baldwin A47L 15/508
134/198
2014/0132136 A1* 5/2014 Kilic A47L 15/503
312/228.1
2014/0137911 A1* 5/2014 Baldwin A47L 15/44
134/200
2014/0285077 A1* 9/2014 Yoon A47L 15/503
312/228.1

* cited by examiner

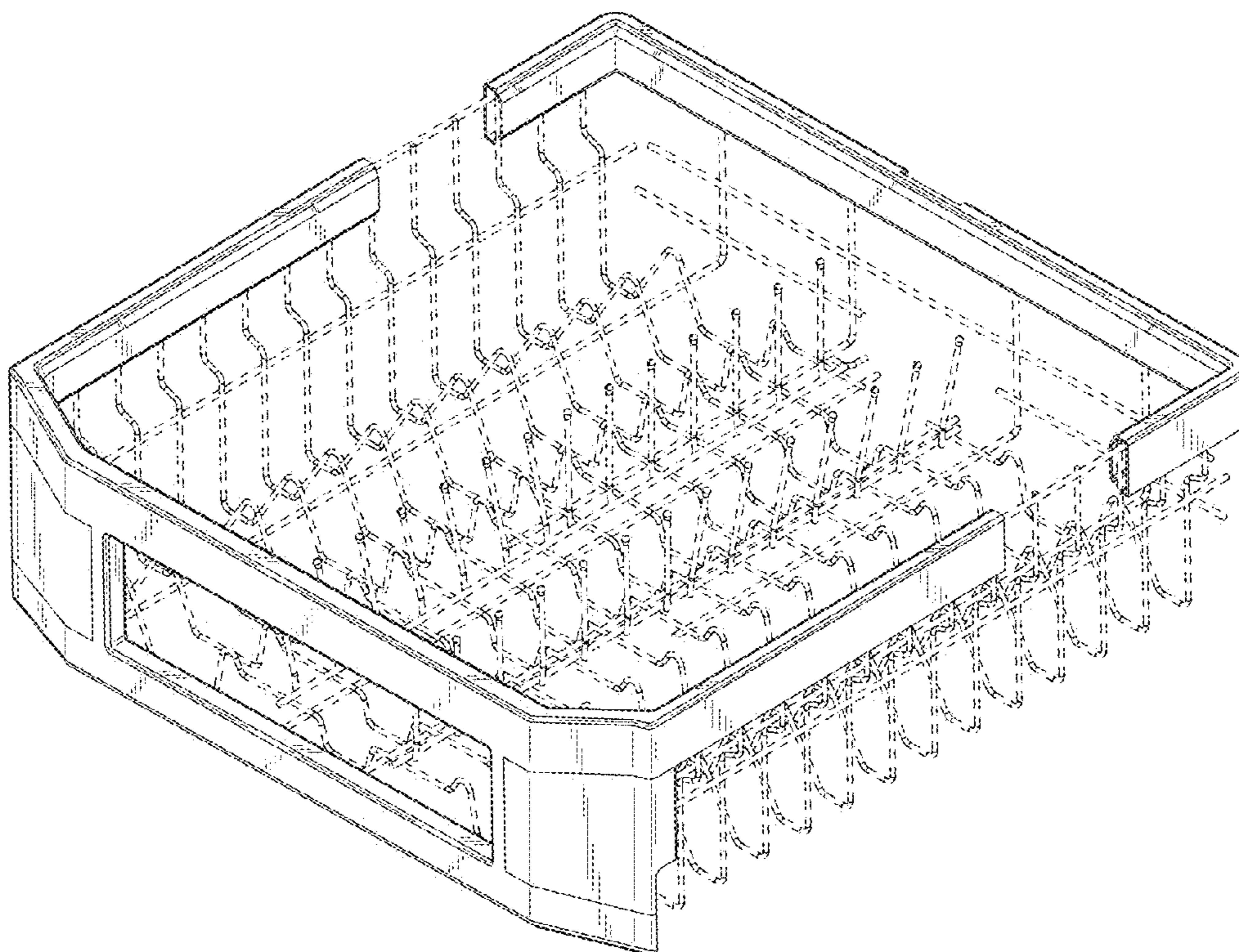


FIG. 1

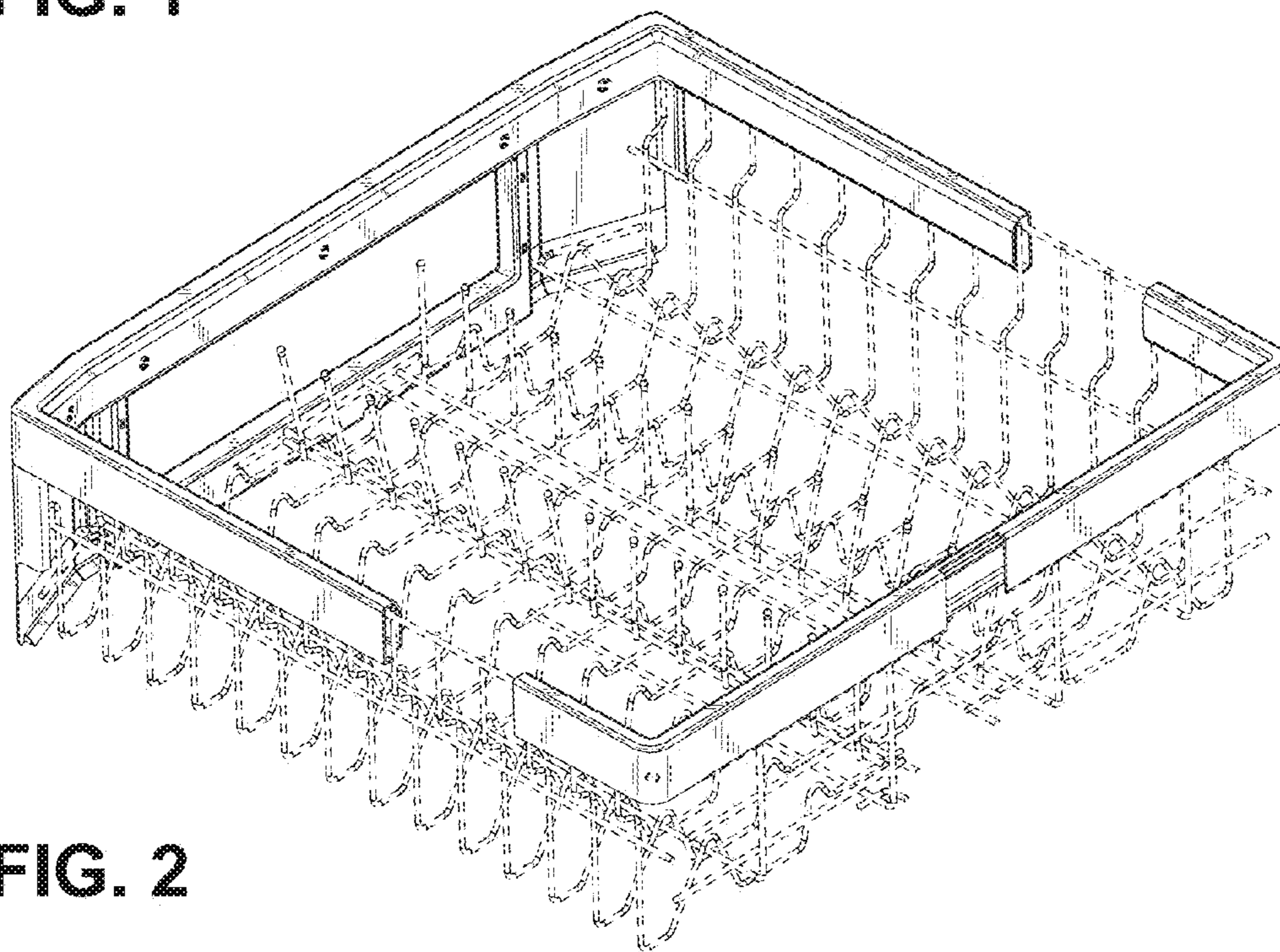


FIG. 2

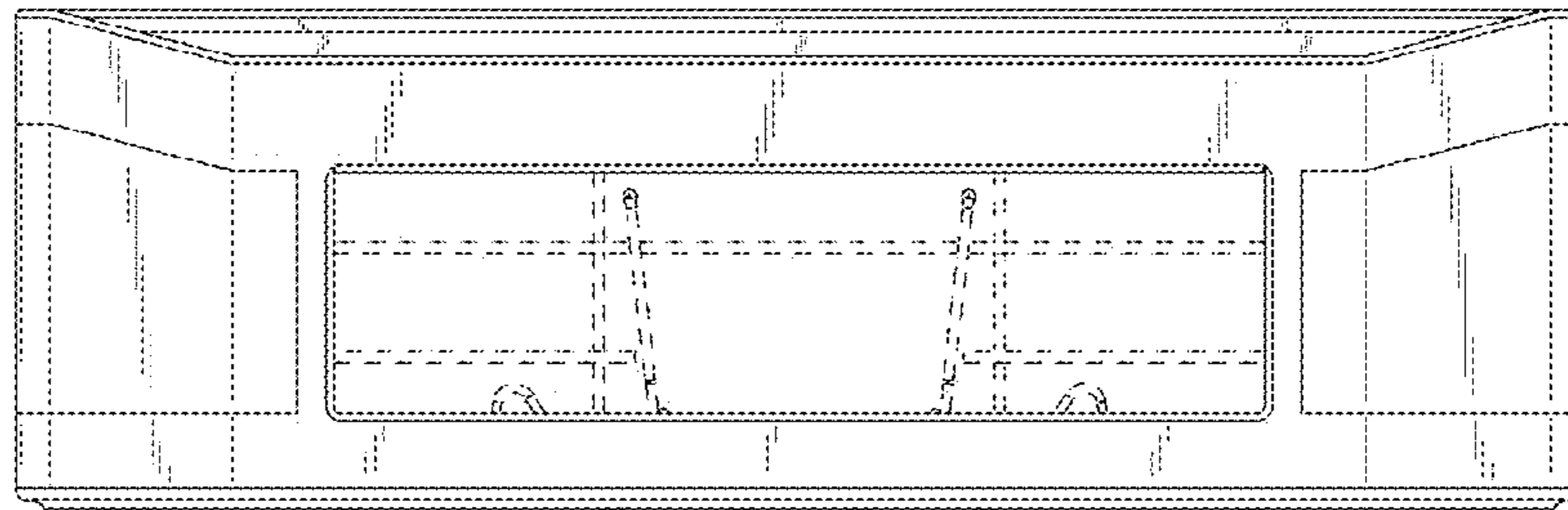


FIG. 3

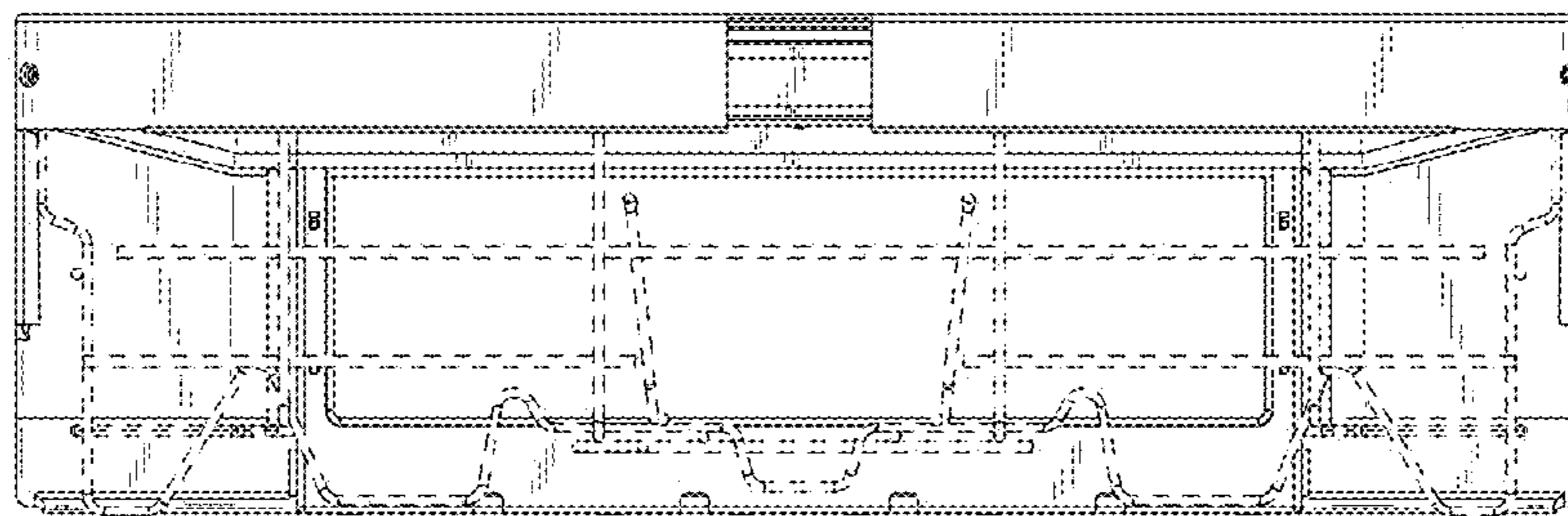


FIG. 4

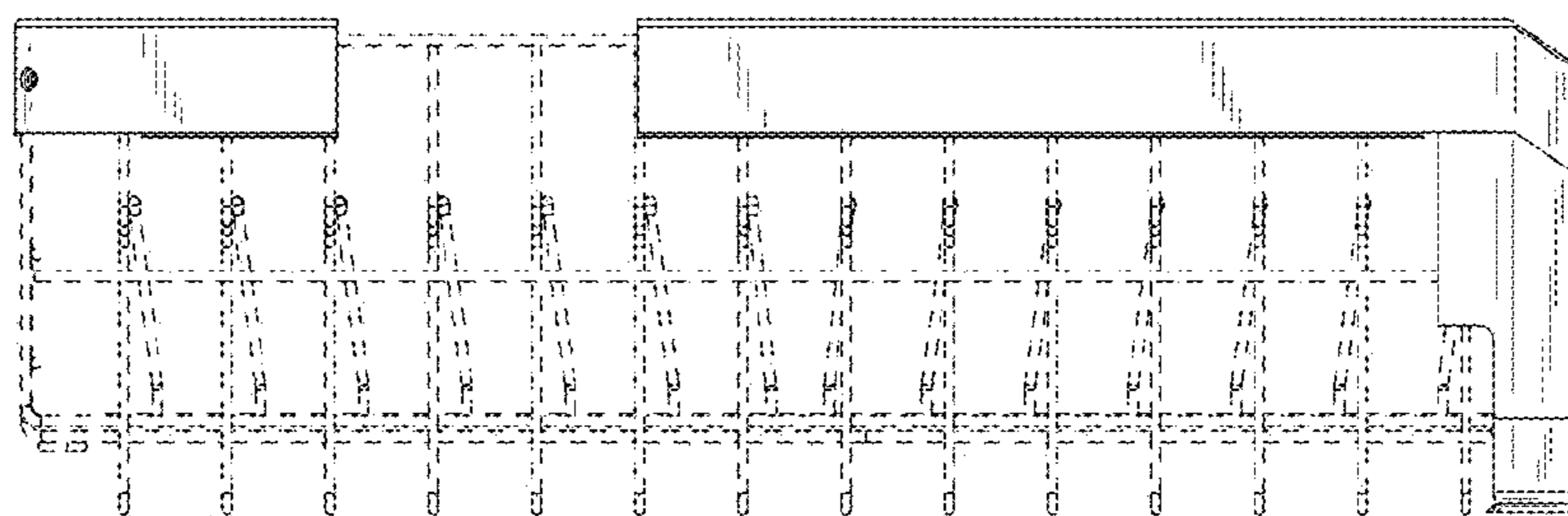


FIG. 5

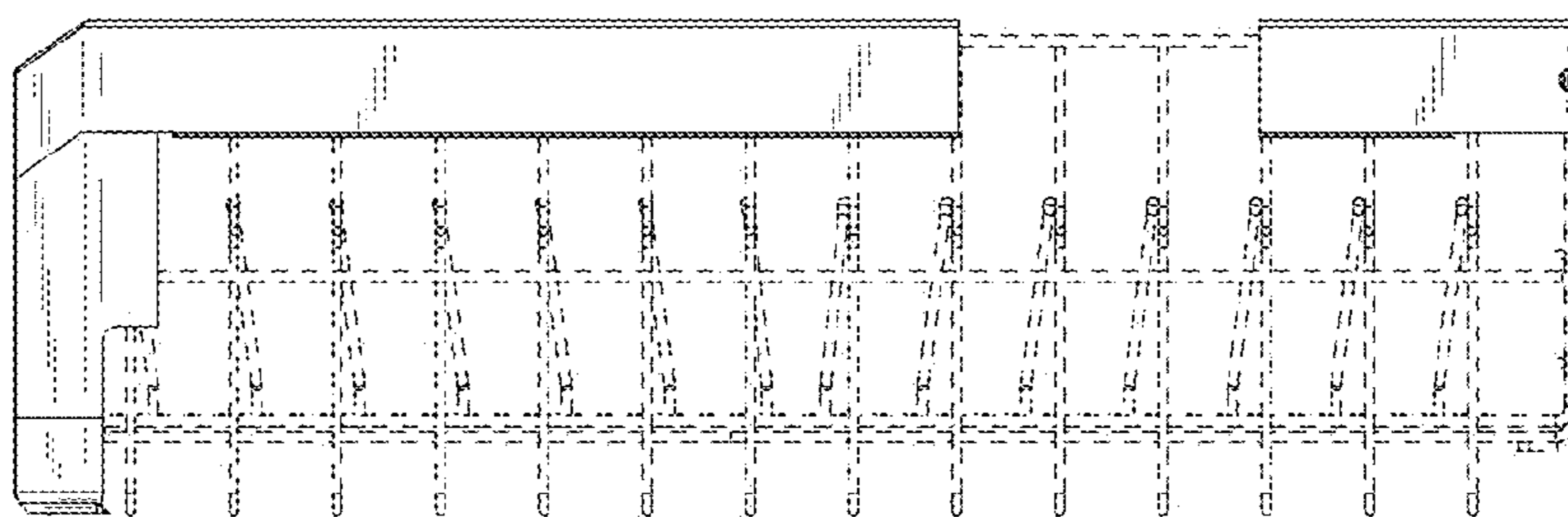


FIG. 6

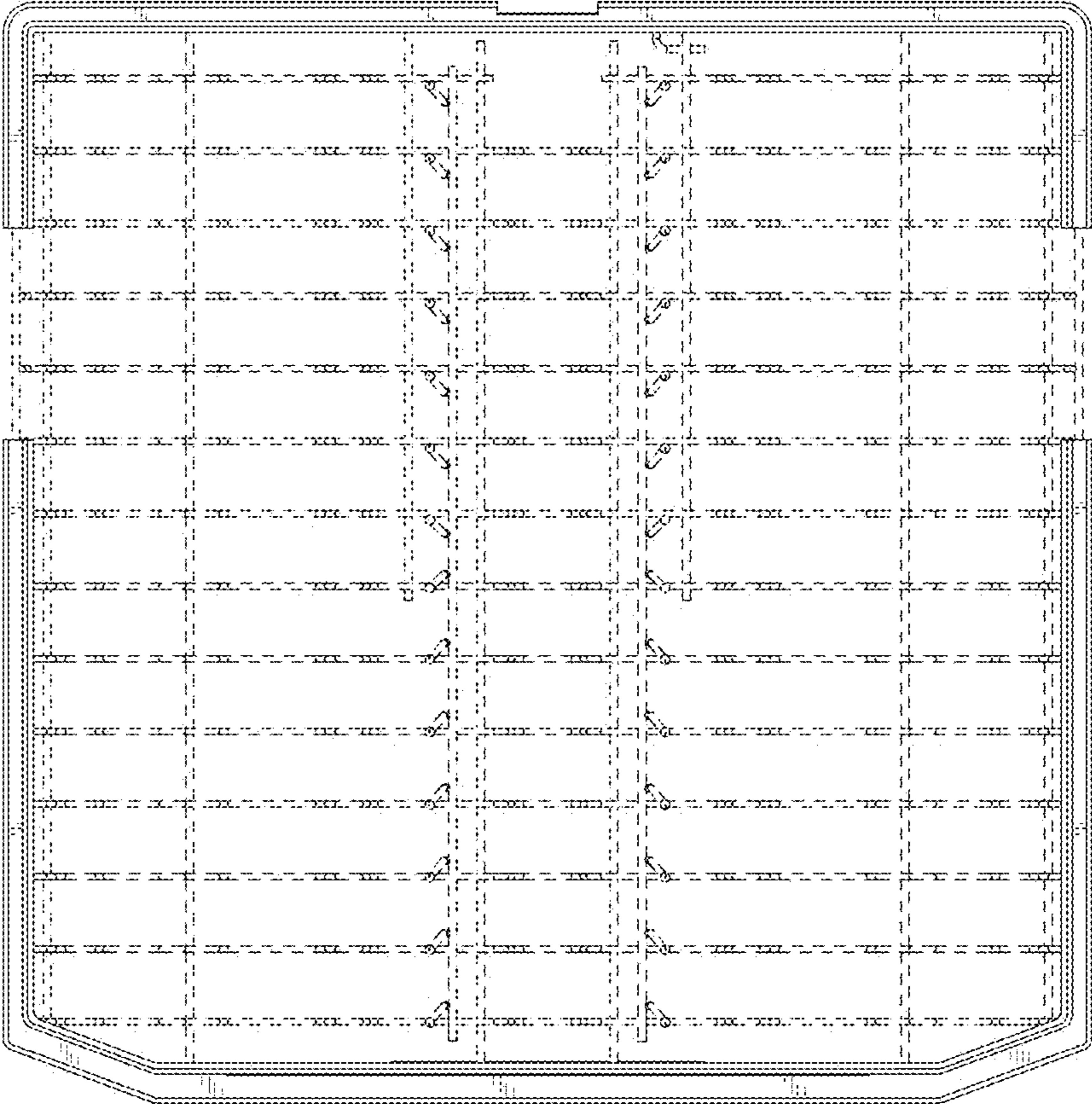


FIG. 7

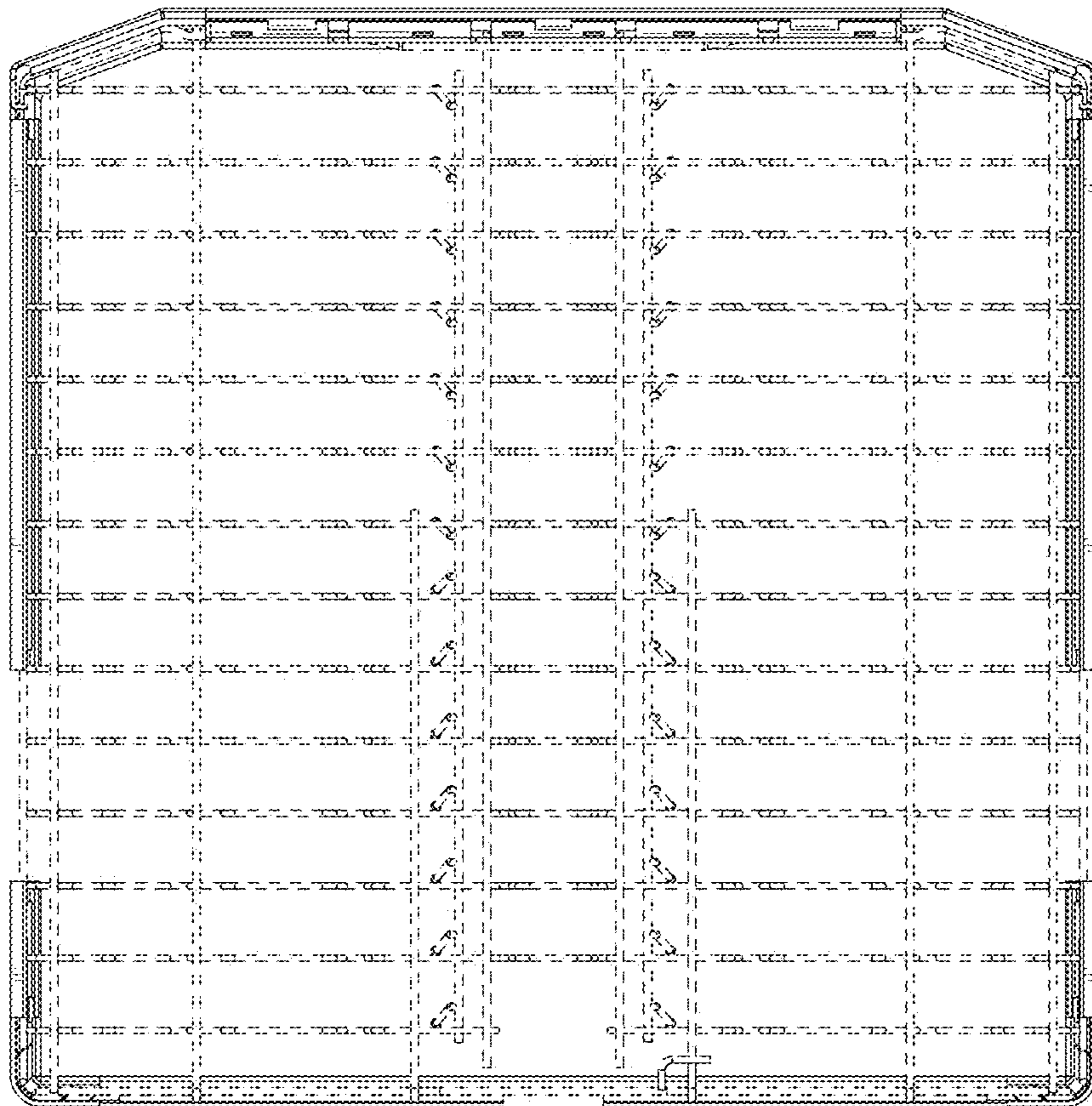


FIG. 8

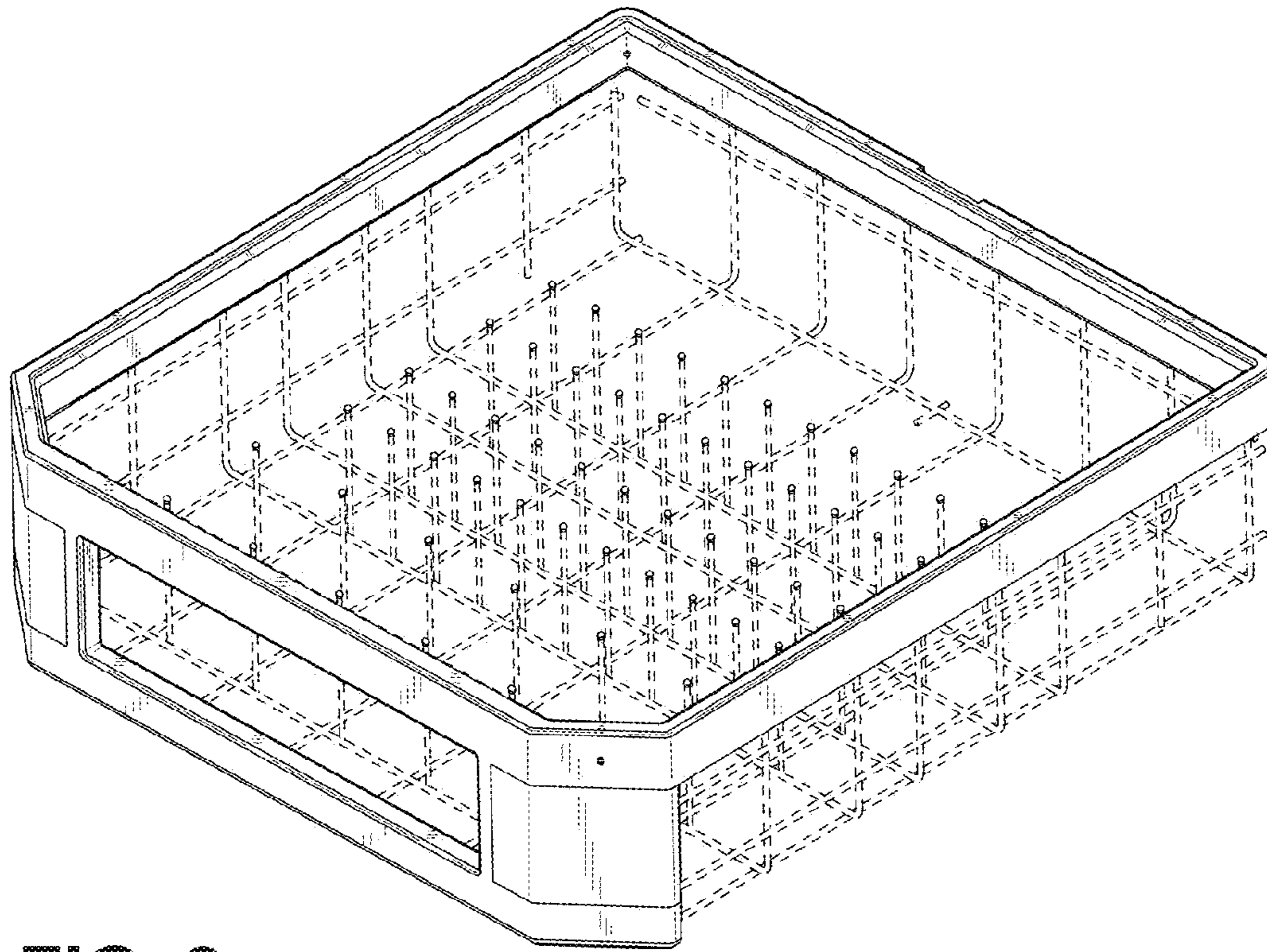


FIG. 9

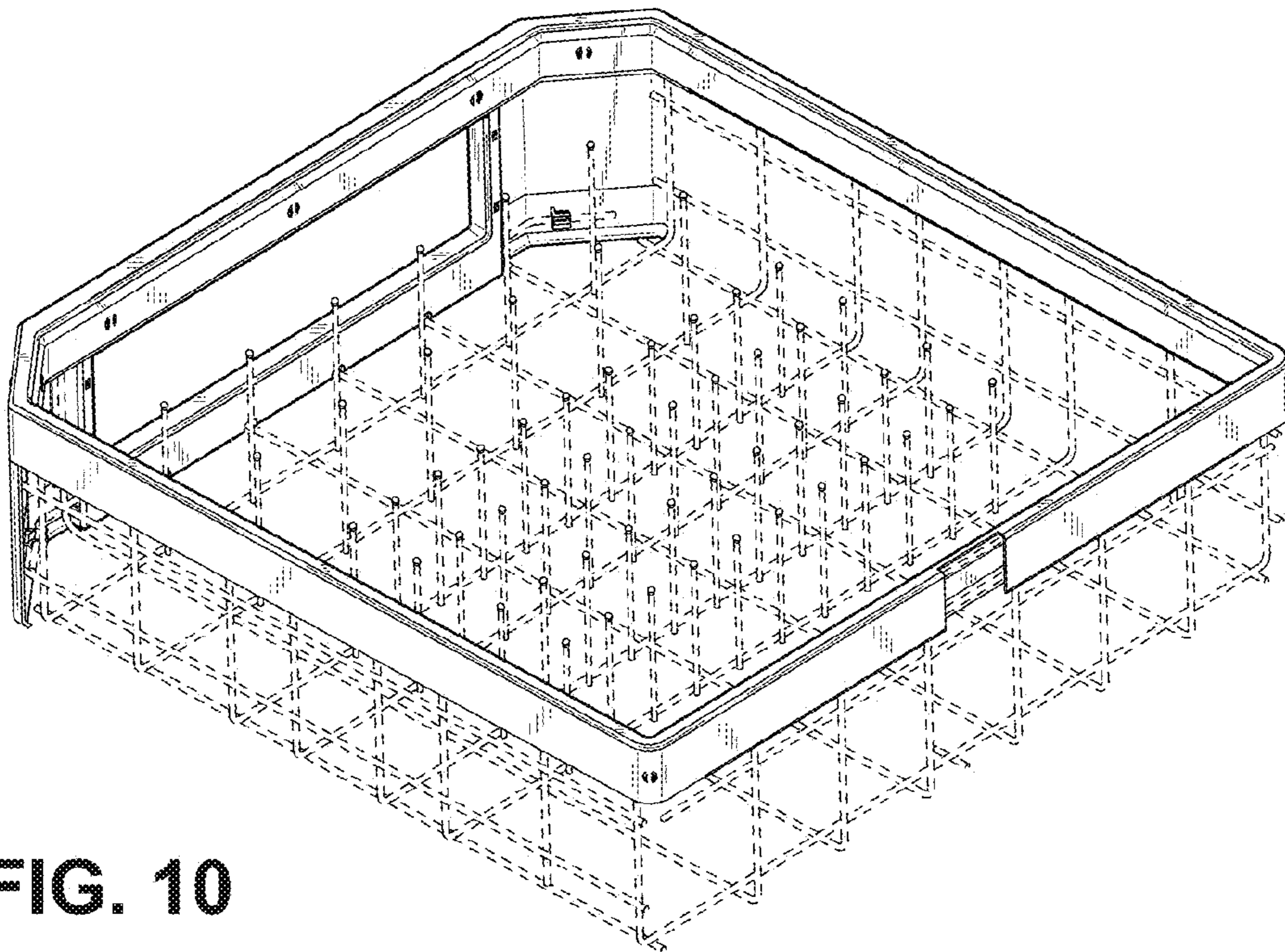


FIG. 10

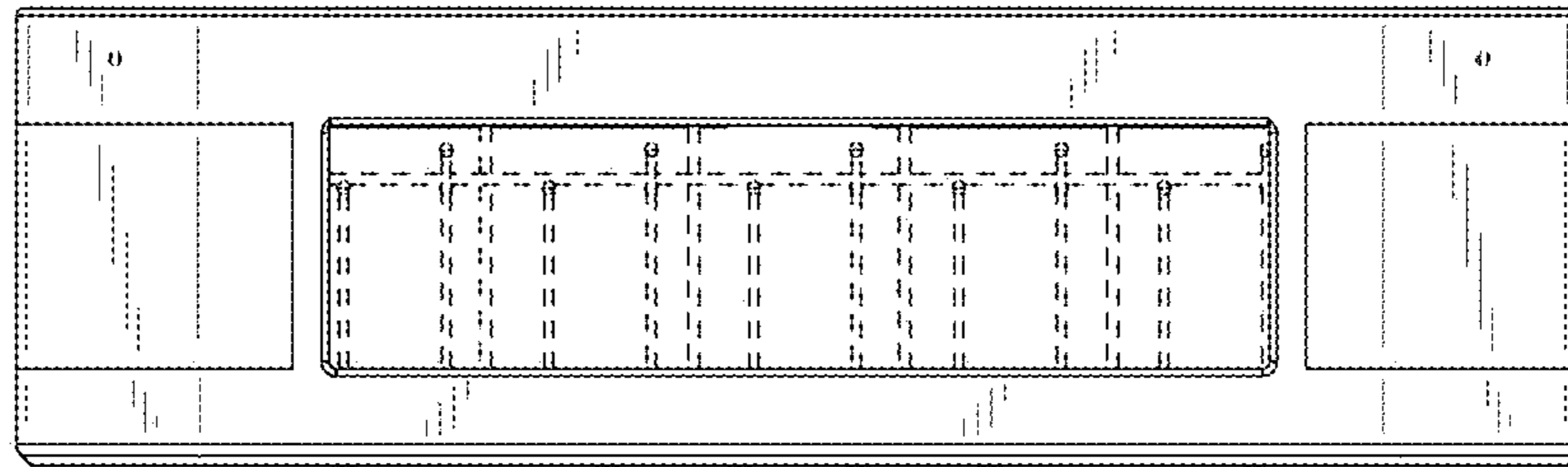


FIG. 11

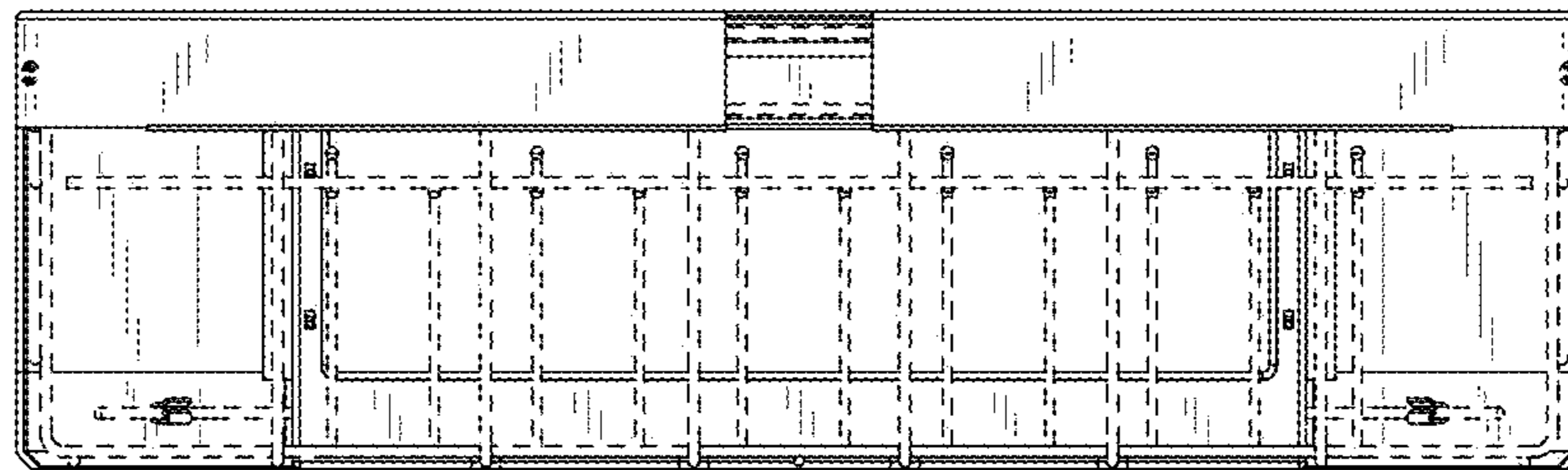


FIG. 12

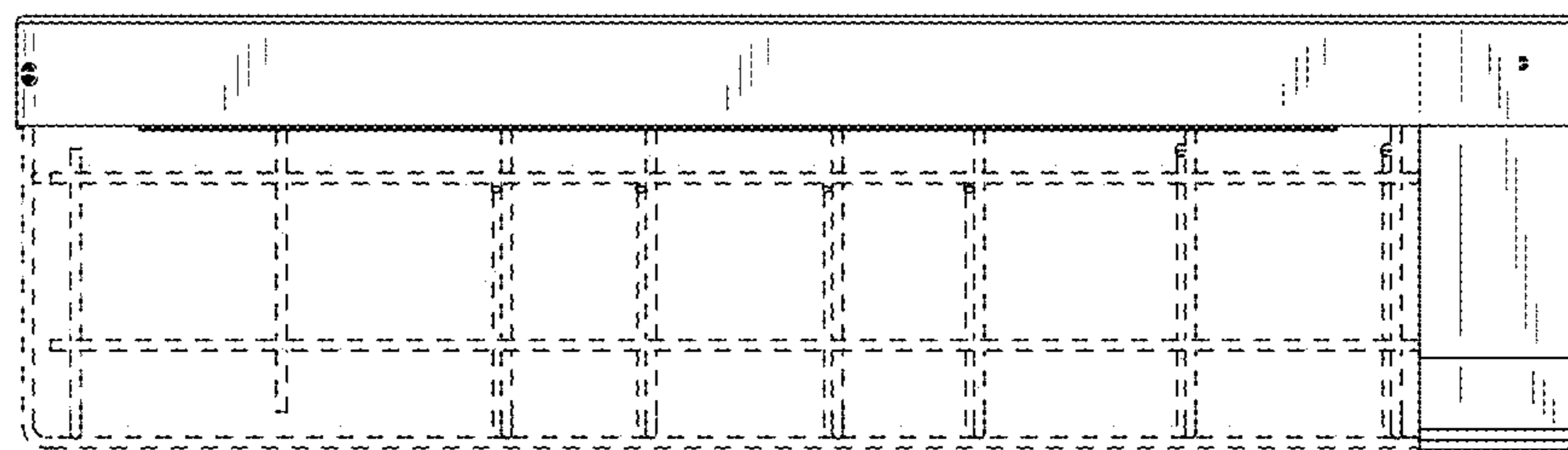


FIG. 13

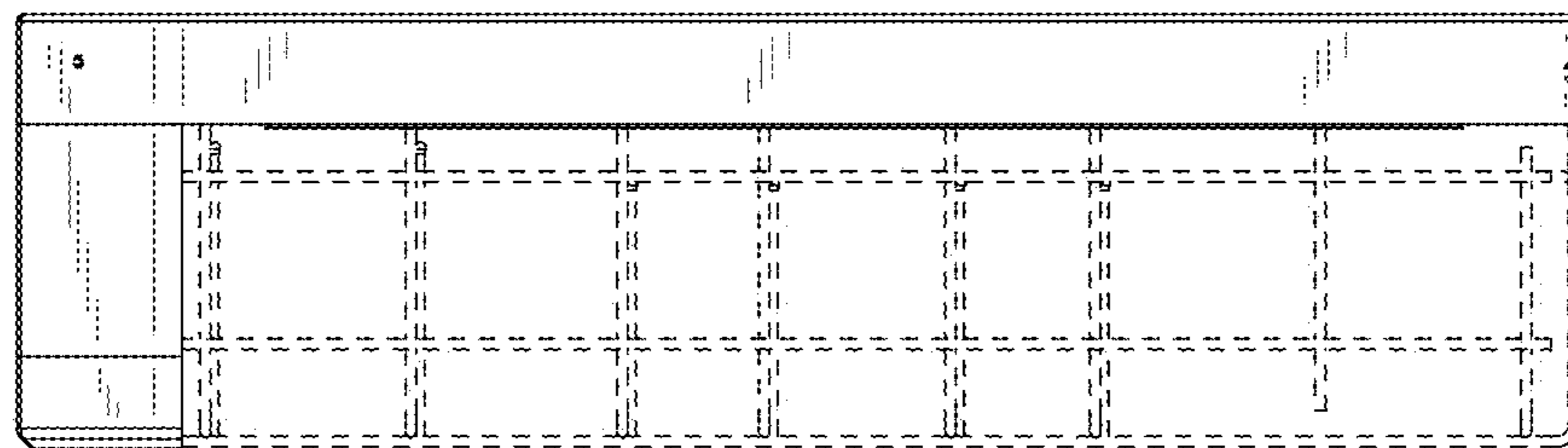


FIG. 14

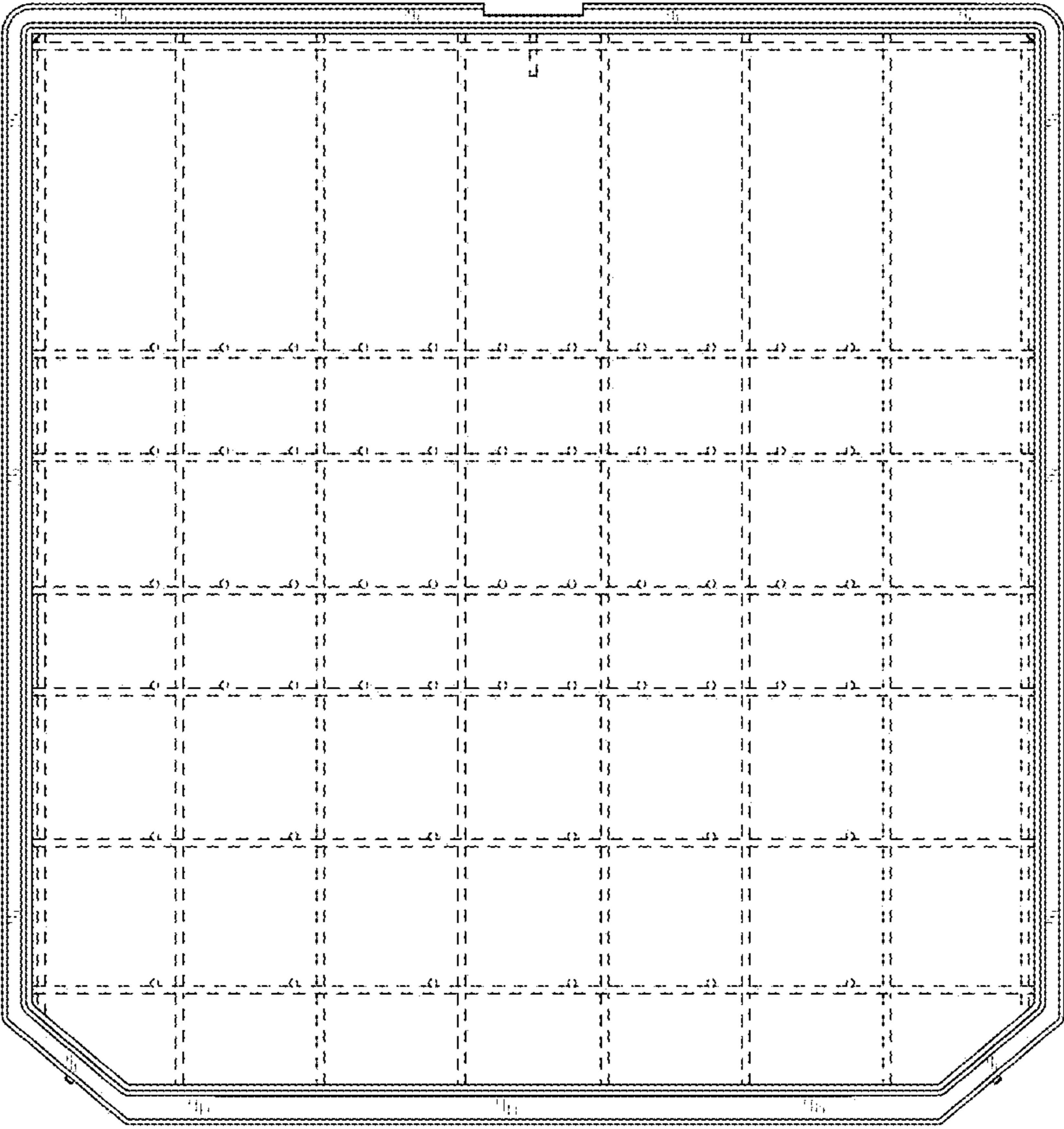


FIG. 15

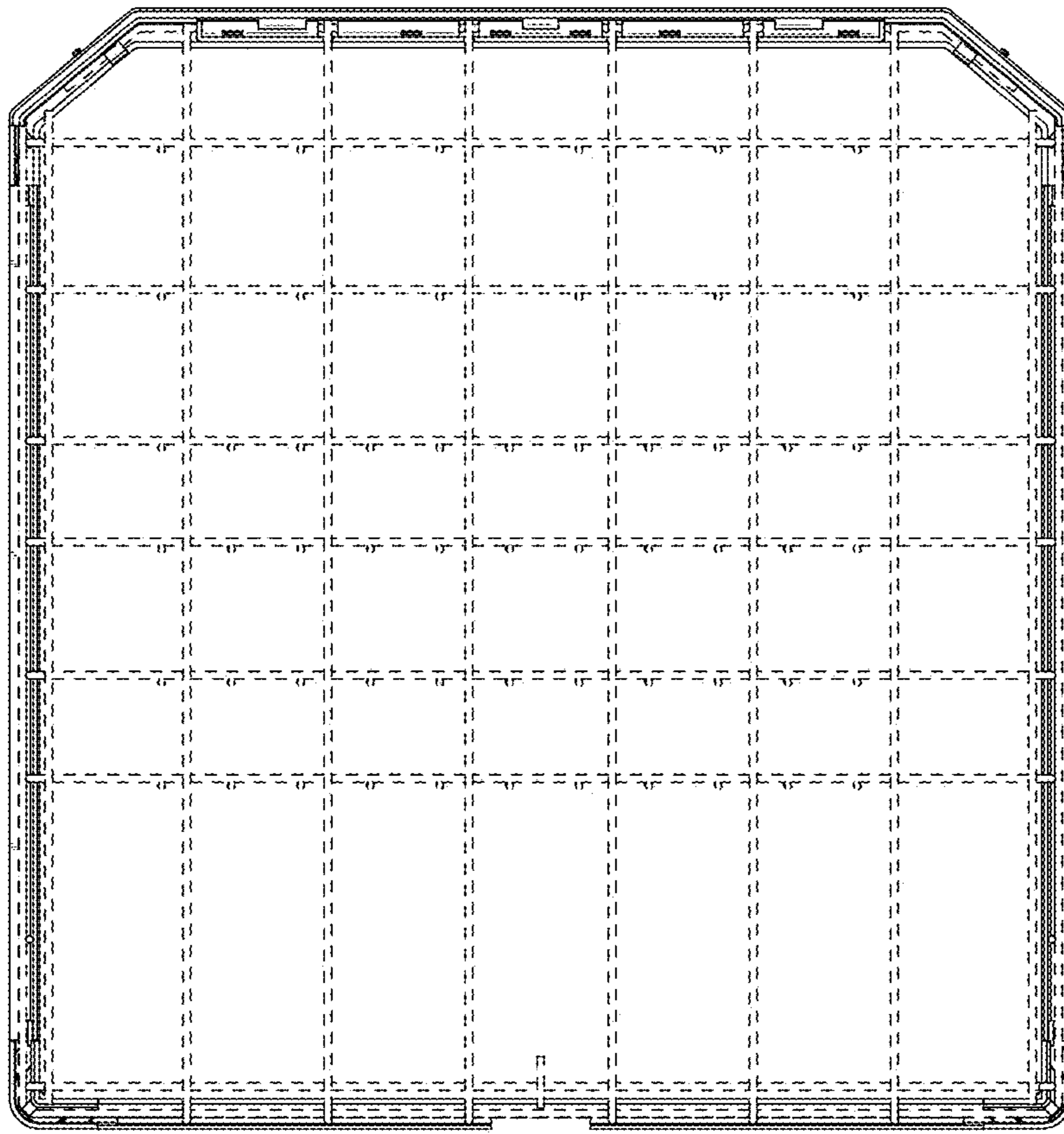


FIG. 16