



US00D762018S

(12) **United States Design Patent**
Schmidt

(10) **Patent No.:** **US D762,018 S**
(45) **Date of Patent:** **** Jul. 19, 2016**

(54) **DOG LEASH HOUSING WITH FLASHLIGHT AND CONTAINER**

(56) **References Cited**

U.S. PATENT DOCUMENTS

(71) Applicant: **flexi-Bogdahn Technik GmbH & Co. KG**, Bargteheide (DE)

(72) Inventor: **Michael Schmidt**, München (DE)

(73) Assignee: **flexi-Bogdahn Technik GmbH & Co. KG**, Bargteheide (DE)

(**) Term: **14 Years**

(21) Appl. No.: **29/478,779**

(22) Filed: **Jan. 8, 2014**

(30) **Foreign Application Priority Data**

Aug. 19, 2013 (EM) 002 293 233

(51) **LOC (10) Cl.** **30-04**

(52) **U.S. Cl.**
USPC **D30/153**

(58) **Field of Classification Search**
USPC D30/151, 152, 153; D26/51
CPC ... A01K 27/00; A01K 27/004; A01K 27/006;
A01K 27/008

See application file for complete search history.

5,762,029	A *	6/1998	DuBois et al.	119/796
D402,426	S *	12/1998	Levine et al.	D30/153
5,887,550	A *	3/1999	Levine et al.	119/796
6,024,054	A *	2/2000	Matt et al.	119/796
D610,752	S *	2/2010	Roediger	D30/153
D651,768	S *	1/2012	Bogdahn	D30/153
D711,054	S *	8/2014	Schmidt	D30/153
2006/0162675	A1 *	7/2006	Ghalebi et al.	119/796
2011/0139090	A1 *	6/2011	Harruna	119/796
2011/0197820	A1 *	8/2011	Goldy et al.	119/61.5
2012/0006284	A1 *	1/2012	Messner	119/796
2012/0137978	A1 *	6/2012	McBounds	119/72
2012/0205479	A1 *	8/2012	Wang	242/396.4

* cited by examiner

Primary Examiner — Martie K Holtje

(74) *Attorney, Agent, or Firm* — McGlew and Tuttle, P.C.

(57) **CLAIM**

The ornamental design for a dog leash housing with flashlight and container, as shown and described.

DESCRIPTION

FIG. 1 is a right side elevational view of a dog leash housing with flashlight and container showing my new design;
FIG. 2 is a left side elevational view thereof;
FIG. 3 is a front elevational view thereof;
FIG. 4 is a rear elevational view thereof;
FIG. 5 is a bottom plan view thereof;
FIG. 6 is a top plan view thereof; and,
FIG. 7 is a top, right rear perspective view thereof.

1 Claim, 7 Drawing Sheets



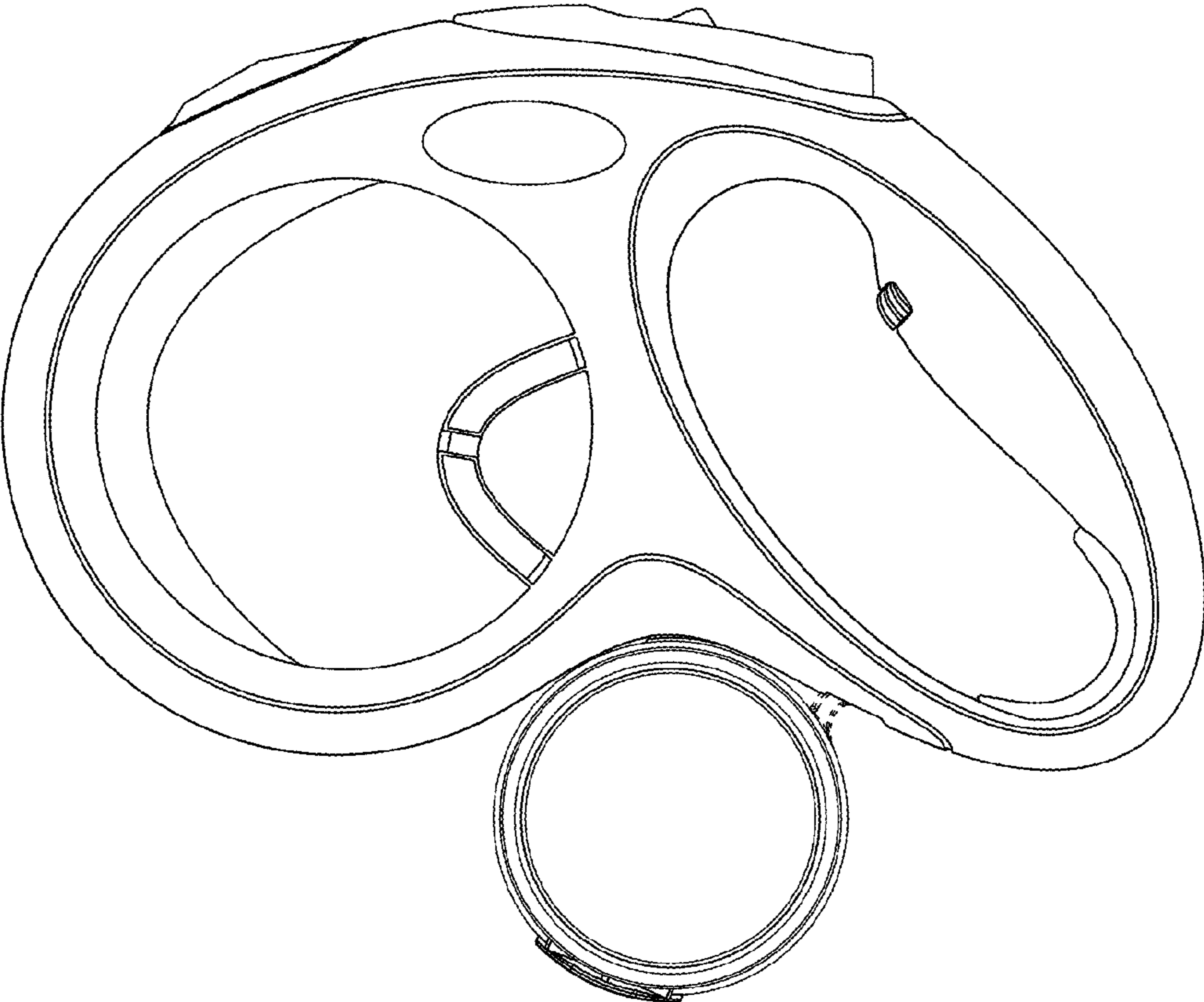


Fig. 1

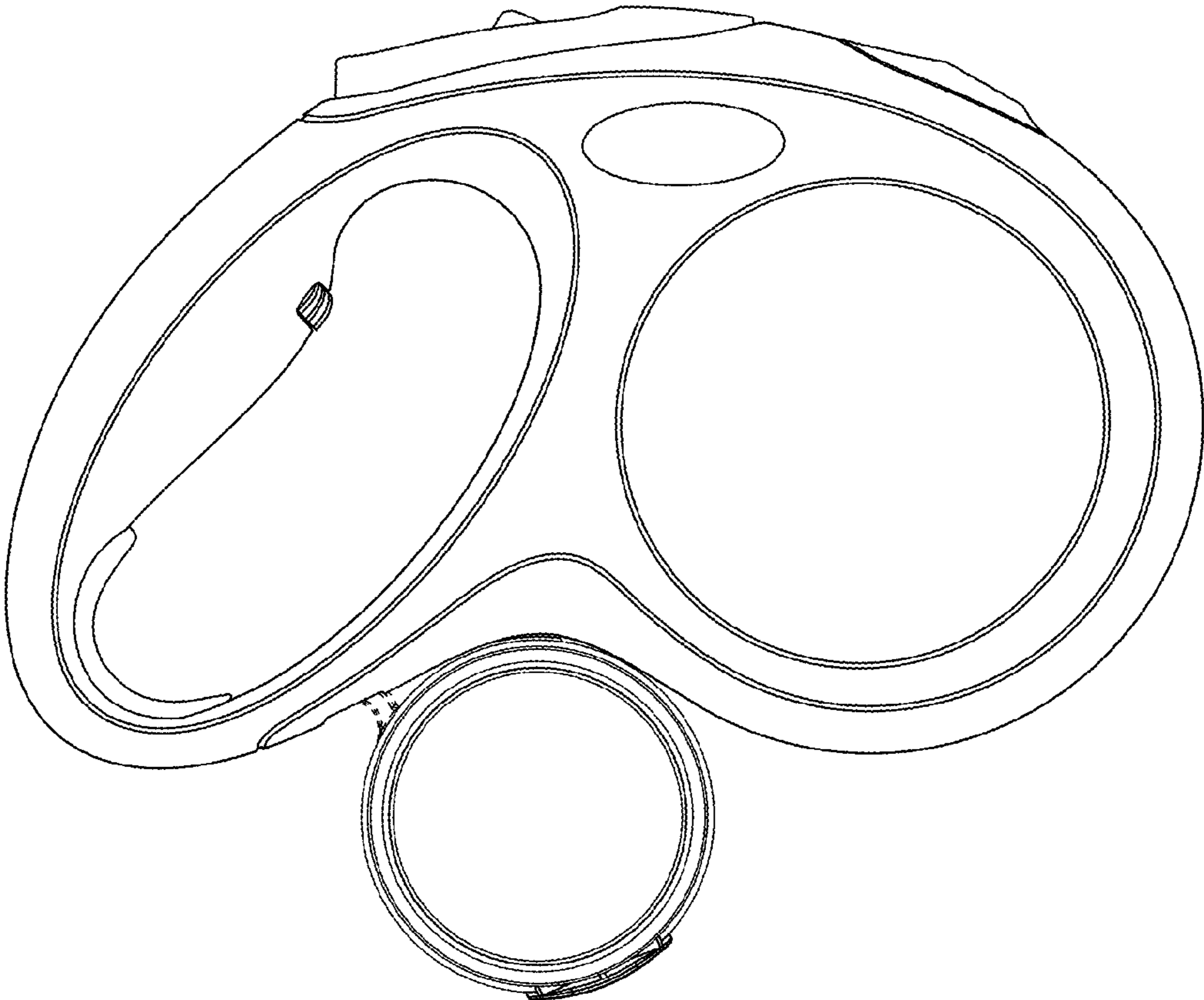


Fig. 2

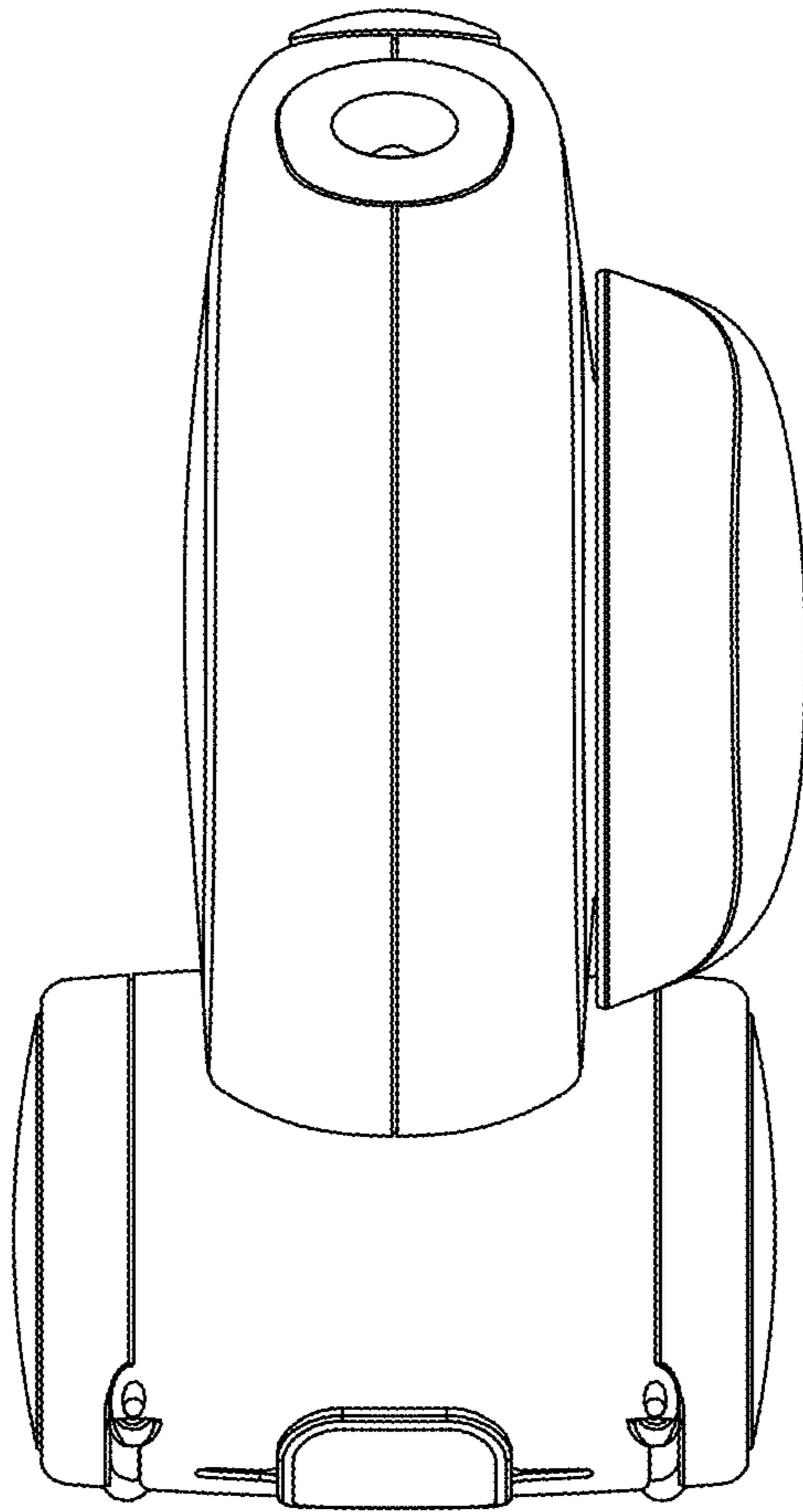


Fig. 3

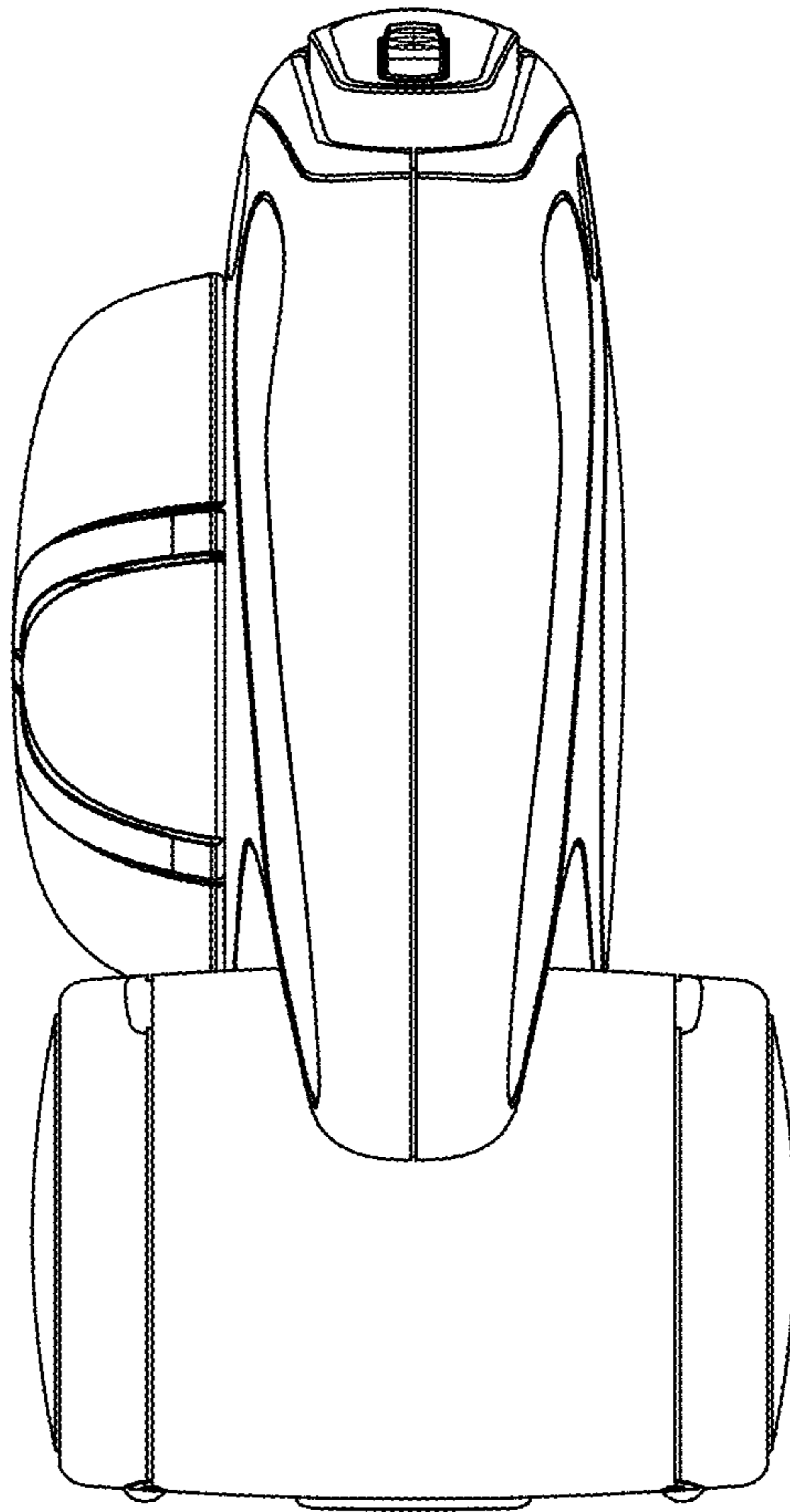


Fig. 4

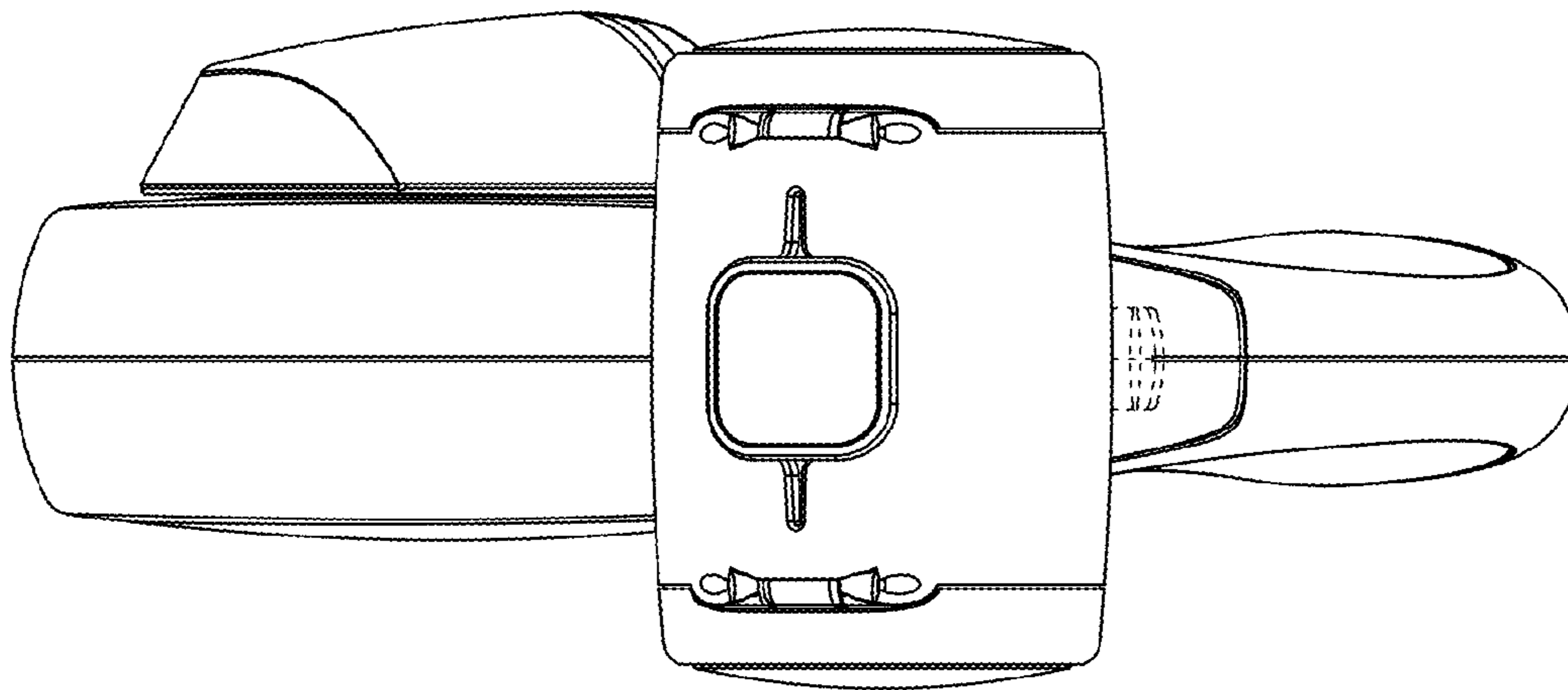


Fig. 5

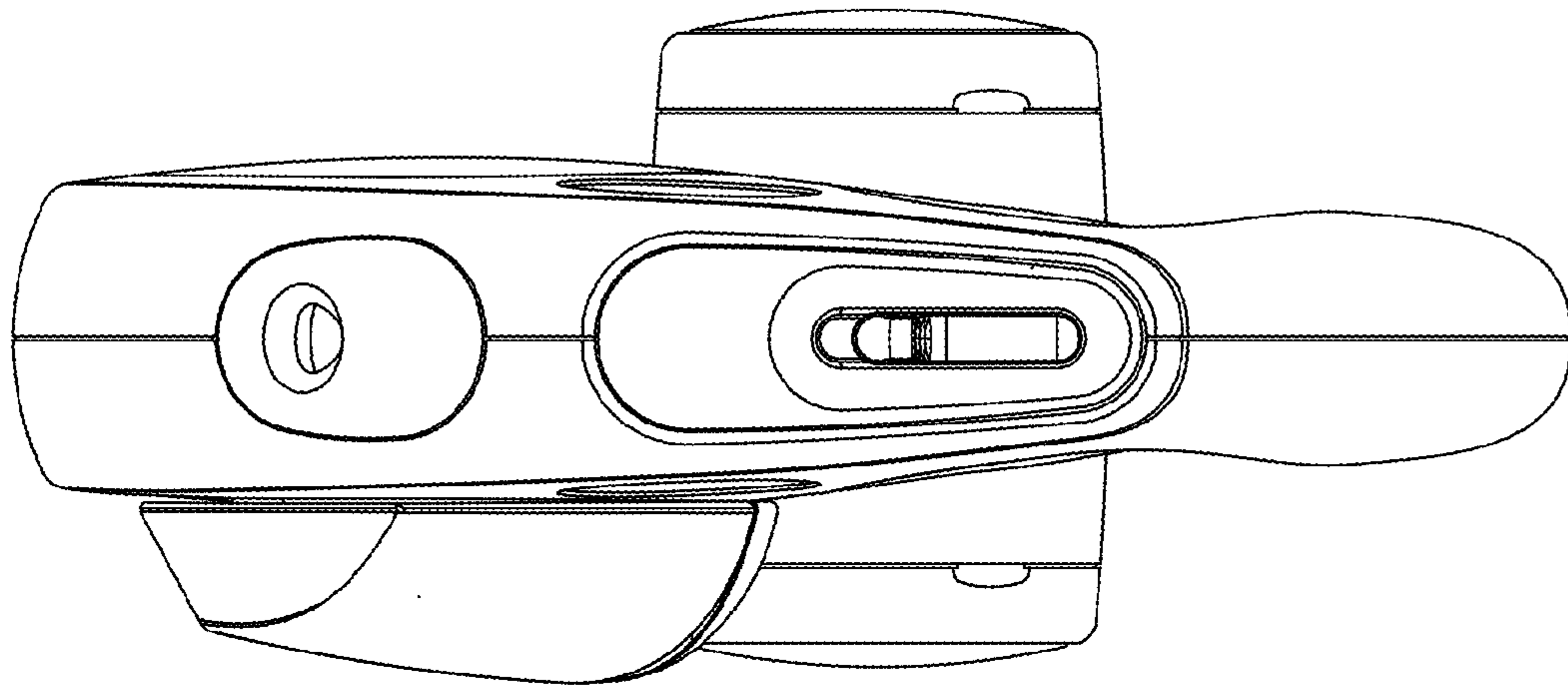


Fig. 6



Fig. 7