



US00D762016S

(12) **United States Design Patent**
Yates

(10) **Patent No.:** **US D762,016 S**
(45) **Date of Patent:** **** Jul. 19, 2016**

(54) **DEER FEEDER**

(71) Applicant: **Dean R. Yates**, Carthage, TX (US)

(72) Inventor: **Dean R. Yates**, Carthage, TX (US)

(73) Assignee: **Dean R. Yates**, Carthage, TX (US)

(**) Term: **15 Years**

(21) Appl. No.: **29/532,524**

(22) Filed: **Jul. 7, 2015**

(51) **LOC (10) Cl.** **30-03**

(52) **U.S. Cl.**
USPC **D30/121**

(58) **Field of Classification Search**

USPC D30/133, 121, 122, 124, 127, 128, 132,
D30/131, 114, 119; 119/51.01, 61, 51.04,
119/53, 57.91, 54, 53.5, 51.11, 63, 61.2,
119/52.1, 57.5, 57.6, 51.13, 62, 75, 500,
119/501, 521, 57.92, 59, 51.12, 57.1, 56.1,
119/57, 52.2-52.4, 57.8, 57.9, 248, 77;
239/7, 687, 379, 397.5; 222/199,
222/181.1, 181.2, 185.1, 557, 156, 485,
222/486, 548, 555; 220/200, 227, 247, 262;
221/174, 185.1, 289, 295, 296, 559;
454/35; 209/270, 283, 244; 52/194,
52/192; 49/279, 344, 357; D34/28;
248/219.1, 222.11, 224.7, 229.1,
248/230.1, 689
CPC A01K 5/0225; A01K 5/00; A01K 5/02;
A01K 5/01; A01K 5/0291; A01K 5/0266;
A01K 5/0275; A01K 5/0283; A01K 39/00;
A01K 39/01; A01K 39/0113; A01K 39/012;
A01K 39/0125; A01K 39/014; B28C 7/0046;
B65D 90/14; B65D 88/52; B65D 88/30;
A01C 17/005; A01C 17/006; Y10T 71/19721;
Y10T 74/2063

See application file for complete search history.

(56) **References Cited**

U.S. PATENT DOCUMENTS

1,054,463	A *	2/1913	Smith	A01K 5/025 119/55
1,769,396	A *	7/1930	Smith	A01K 31/16 119/331
2,230,058	A *	1/1941	Hornung	A01K 39/0113 119/52.3
2,858,801	A *	11/1958	Chance	A01K 5/0225 119/52.4
D191,518	S *	10/1961	Olson	119/57.8
D192,925	S *	5/1962	Kofsky et al.	D30/124
3,104,649	A *	9/1963	Slaven	A01K 39/012 119/52.3
3,124,103	A *	3/1964	Stainbrook	A01K 39/0133 119/52.3
3,130,706	A *	4/1964	Myaida	A01K 31/14 119/428
D209,972	S *	1/1968	Ott	D30/121
D212,367	S *	10/1968	Carlson	D30/126

(Continued)

Primary Examiner — Susan Moon Lee

(57) **CLAIM**

The ornamental design for a deer feeder, as shown and described.

DESCRIPTION

FIG. 1 is a perspective view of the deer feeder showing its intended use strapped to a tree in the native environment of deer.

FIG. 2 is a perspective view of the deer feeder.

FIG. 3 is a side view of the deer feeder.

FIG. 4 is a front view of the deer feeder.

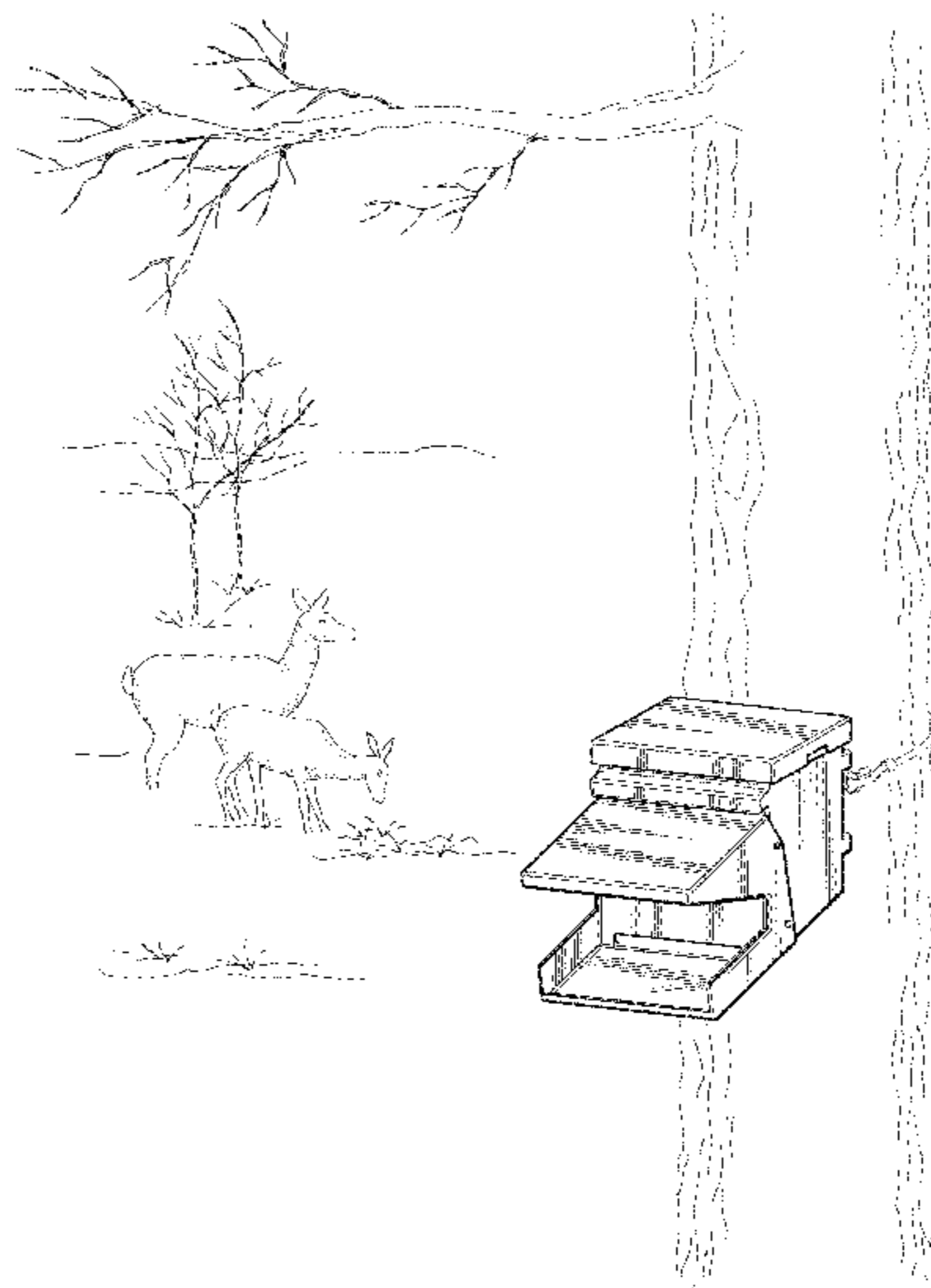
FIG. 5 is a back view of the deer feeder.

FIG. 6 is a top view of the deer feeder; and,

FIG. 7 is a bottom view of the deer feeder.

The broken lines showing the outline of hooks, straps, and the native environment for deer in FIG. 1 are for illustrative purposes only and form no part of the claimed design.

1 Claim, 7 Drawing Sheets



(56)

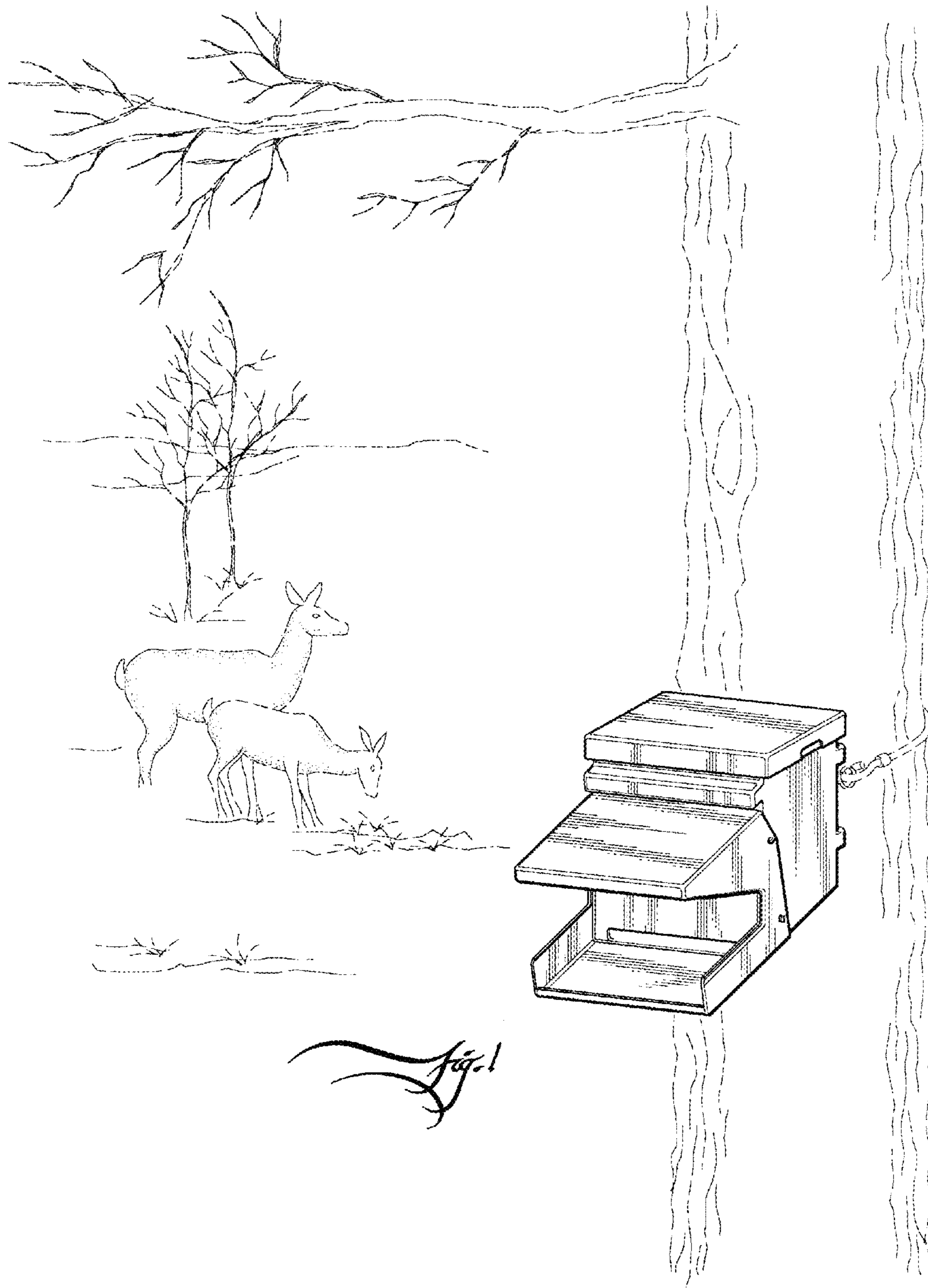
References Cited

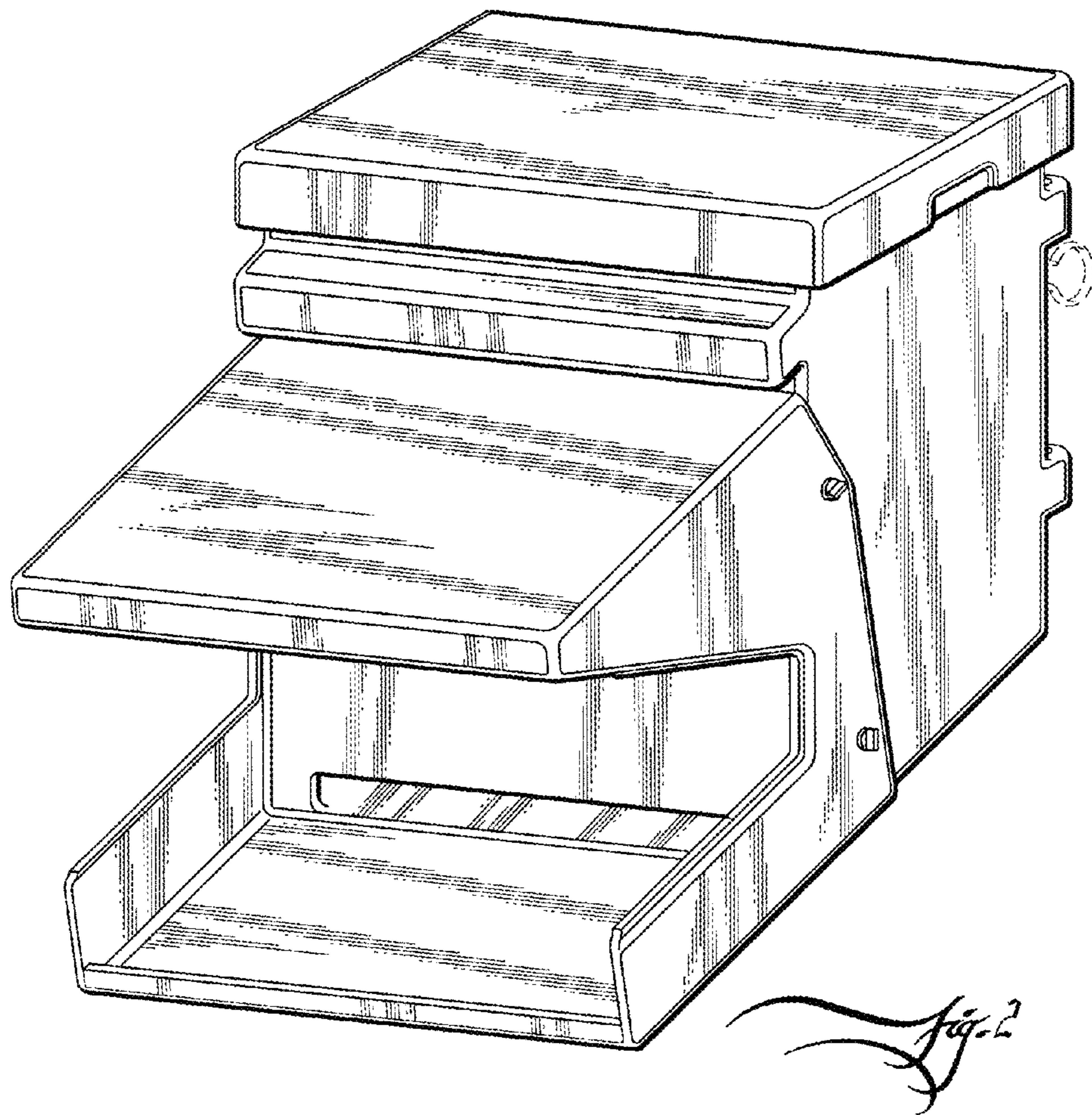
U.S. PATENT DOCUMENTS

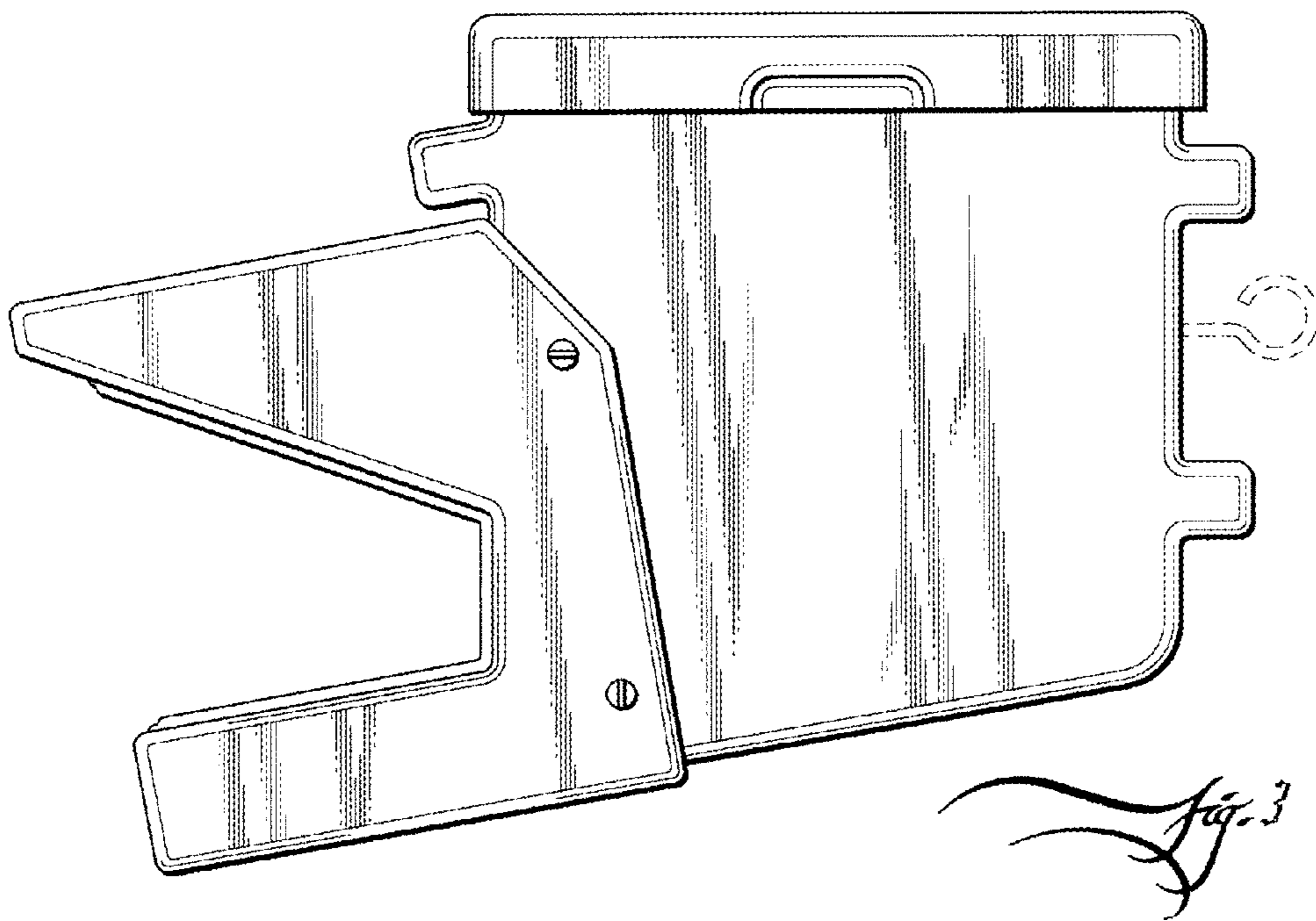
D231,743 S * 6/1974 Nudd D30/124
 3,927,645 A * 12/1975 Varner A01K 39/0113
 119/51.01
 D249,075 S * 8/1978 Platt 119/57.9
 4,167,917 A * 9/1979 Noll A01K 39/014
 119/429
 4,180,014 A * 12/1979 Mathews A01K 5/0225
 119/52.1
 4,425,873 A * 1/1984 Rinne, Jr. A01K 39/012
 119/53
 D278,169 S * 3/1985 Cargile, Jr. D30/124
 4,841,913 A * 6/1989 Forrer A01K 5/0291
 119/51.12
 4,942,845 A * 7/1990 Lane A01K 39/00
 119/52.2
 D320,678 S * 10/1991 Handley 119/52.2
 D322,694 S * 12/1991 Lane D30/124
 D329,723 S * 9/1992 Carpenter D30/126
 D330,272 S * 10/1992 Lane D30/124
 5,222,990 A * 6/1993 Elliott A01K 5/0114
 119/51.5

D338,745 S * 8/1993 Ervin D30/121
 5,394,832 A * 3/1995 Briley A01K 5/0291
 119/51.11
 D359,146 S * 6/1995 Finch D30/121
 5,642,687 A * 7/1997 Nylen A01K 39/0113
 119/52.3
 D392,777 S * 3/1998 Scribner D30/131
 D414,902 S * 10/1999 Carpenter D30/124
 5,992,349 A * 11/1999 Sachs A01K 5/0225
 119/52.1
 6,477,983 B1 * 11/2002 Bette A01K 31/14
 119/428
 6,581,540 B1 * 6/2003 LaVanish A01K 39/012
 119/51.01
 7,320,295 B2 * 1/2008 Ehrreich A01K 31/14
 119/428
 8,833,305 B2 * 9/2014 Macpherson A01K 5/0142
 119/61.5
 D720,895 S 1/2015 Yates
 2010/0024736 A1 * 2/2010 Davis A01K 7/00
 119/51.11
 2015/0216145 A1 * 8/2015 Nelson A01K 39/0113
 119/51.02

* cited by examiner







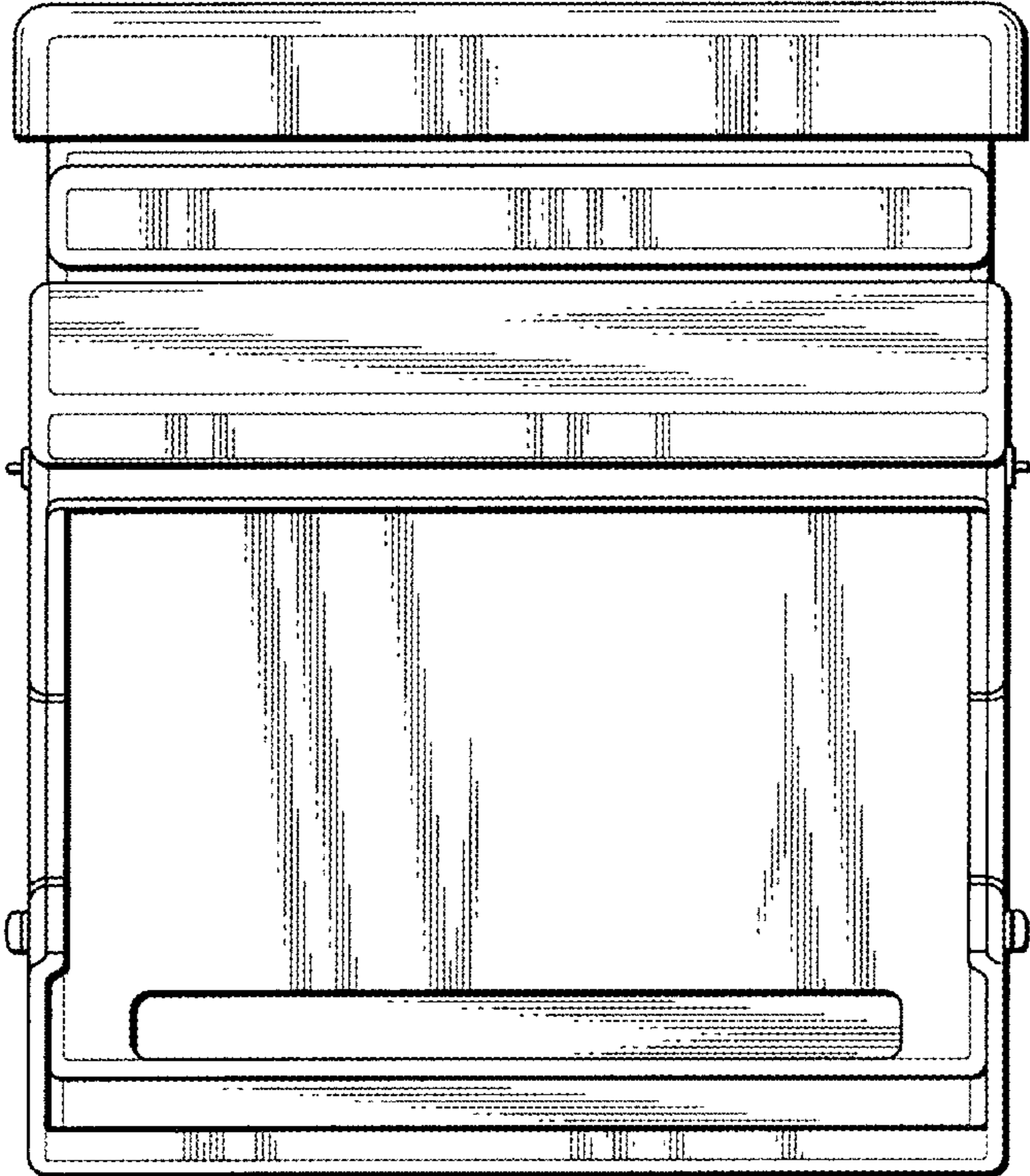


Fig. 4

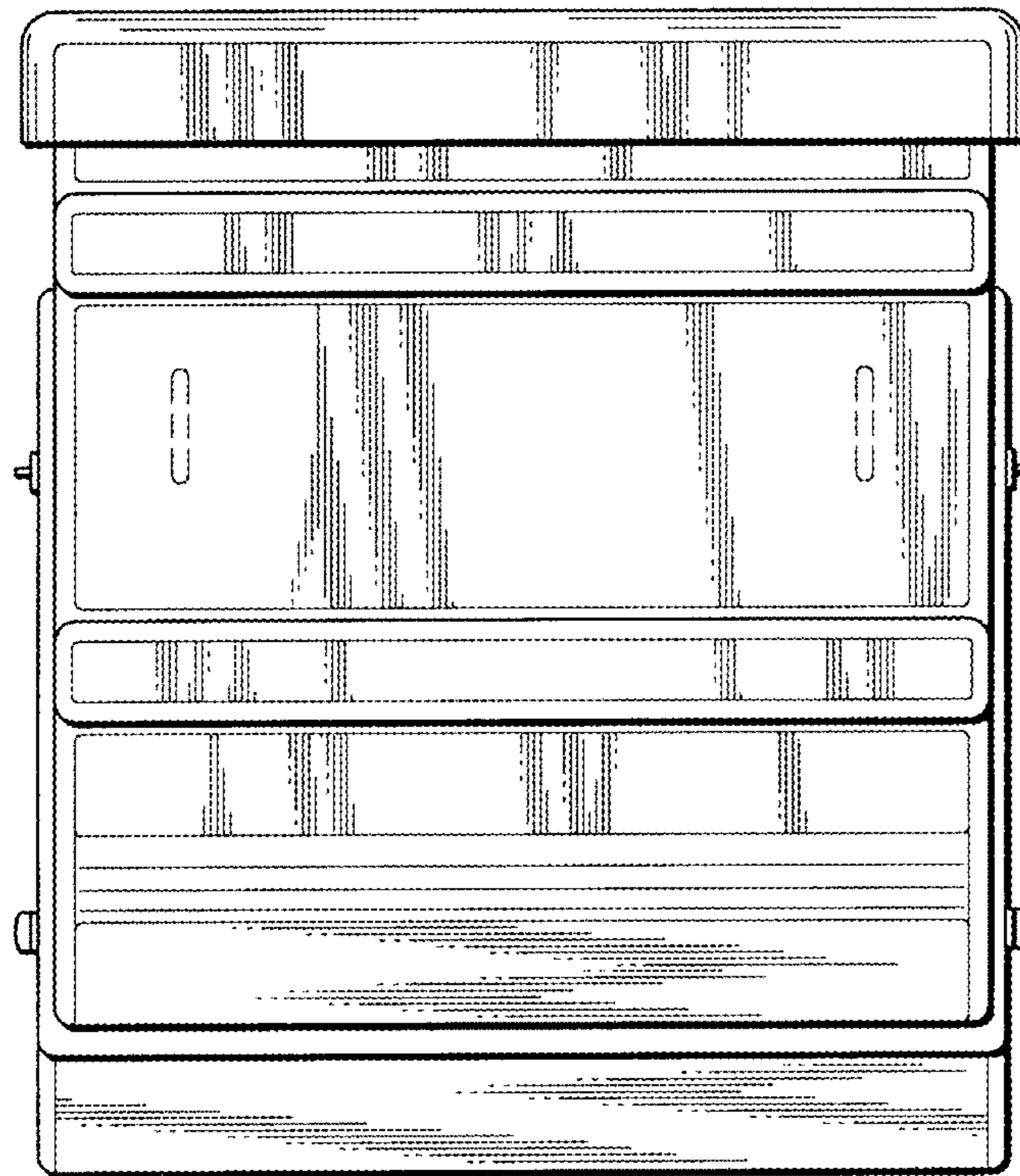


Fig. 5

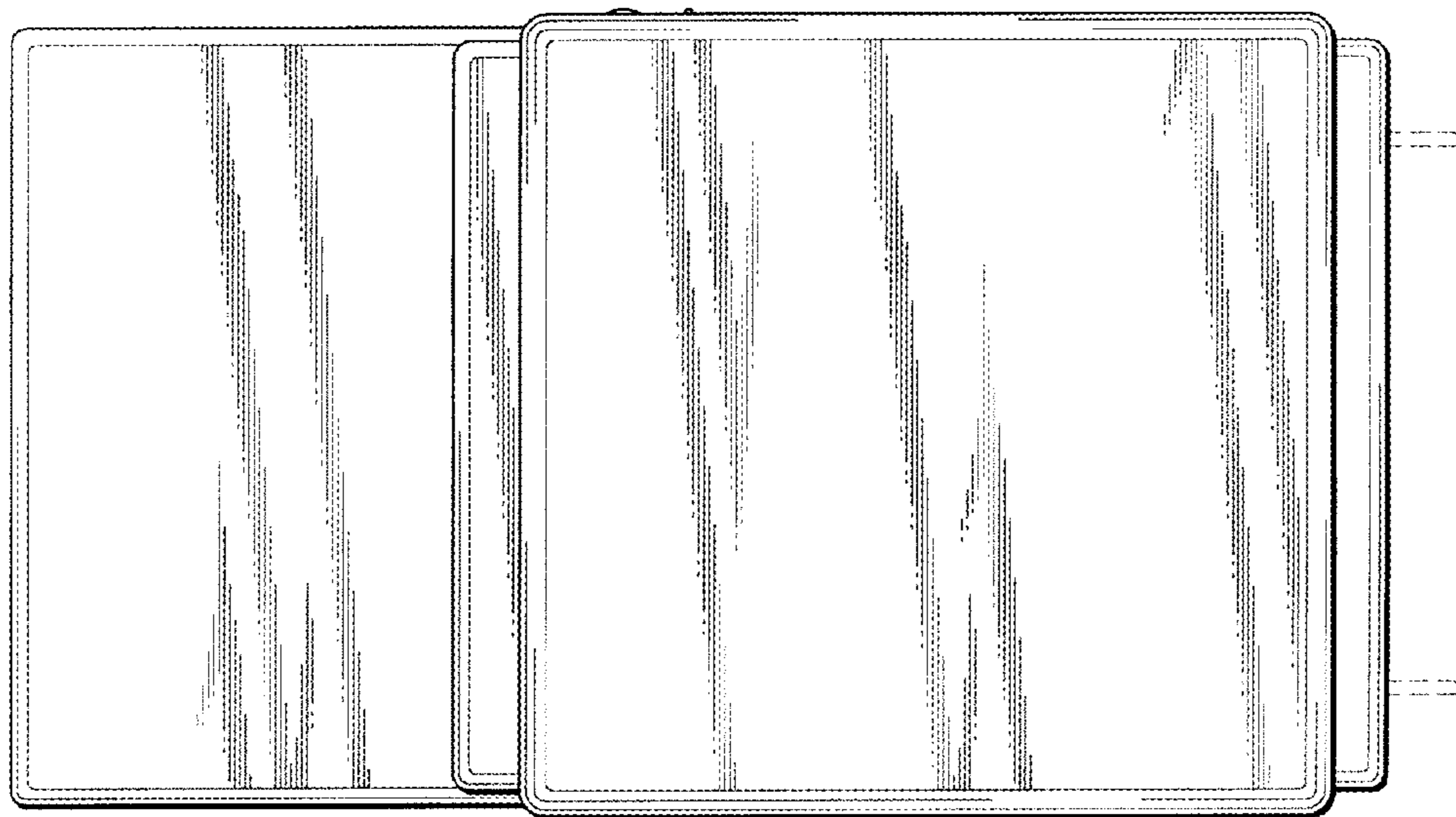


Fig. 6

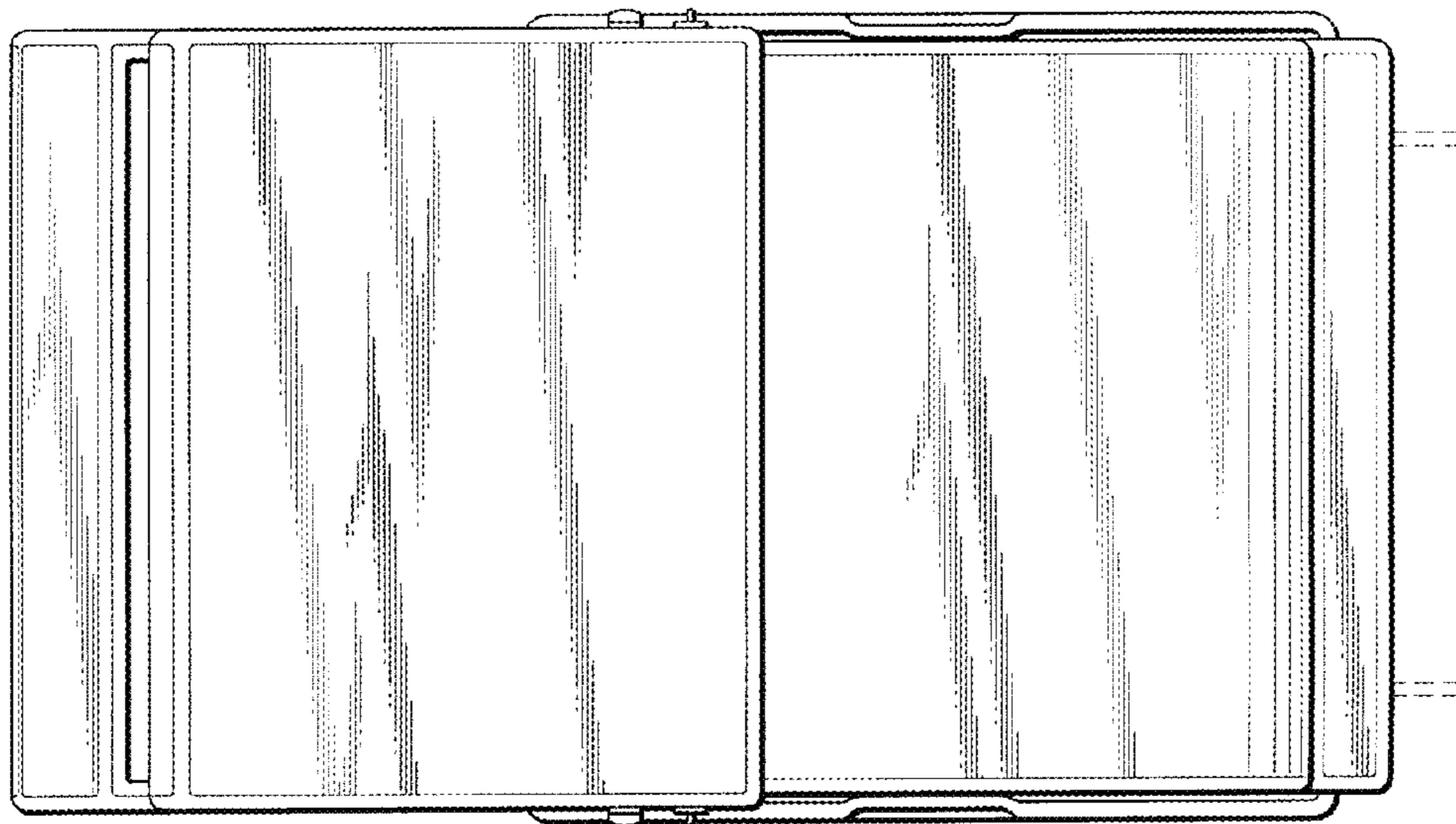


Fig. 7