

US00D762015S

(12) **United States Design Patent**
Pietrocarlo et al.

(10) **Patent No.:** **US D762,015 S**
(45) **Date of Patent:** **** Jul. 19, 2016**

(54) **ANIMAL TREAT DISPENSING CONTAINER**

(71) Applicant: **Bark Pouch LLC**, Chicago, IL (US)

(72) Inventors: **Lauren Pietrocarlo**, Chicago, IL (US);
Kaitlin Bishop, Chicago, IL (US);
Brandi Barker, Chicago, IL (US); **Tim Haley**, Chicago, IL (US)

(73) Assignee: **Bark Pouch LLC**, Chicago, IL (US)

(**) Term: **14 Years**

(21) Appl. No.: **29/524,181**

(22) Filed: **Apr. 17, 2015**

(51) **LOC (10) Cl.** **30-07**

(52) **U.S. Cl.**
USPC **D30/121**

(58) **Field of Classification Search**
USPC D30/121, 160, 122, 129–133, 151–154,
D30/162, 199, 161, 163; 119/707, 709–712,
119/719, 61.5, 51.01, 61.56, 51.03, 59, 62,
119/63, 51.5, 57.8, 74, 61.54, 61.55, 61,
119/795, 792, 796, 161, 867, 858, 868,
119/856; 312/204; 248/151, 188; 108/156,
108/153.1–157; 220/23.87, 630, 737, 743,
220/9.4, 495.01, 574, 212, 255, 23.83, 575,
220/326, 790, 4.23, 4.24, 827; 206/515,
206/457, 527, 406, 408, 409, 805, 389,
206/407; D7/681; D9/422, 424, 414, 305;
43/109; D22/122; 99/430, DIG. 15;
225/6, 53, 106, 41, 47, 43, 44, 46;
294/1.3, 55, 1.5; D6/515, 518, 522;
D24/199; 215/400; 242/422.5, 597.4,
242/419.4, 498.6, 598.6, 389, 395, 564,
242/588.3; 15/257.1; 221/256, 257, 232,
221/276, 24, 310, 8, 266, 3, 5, 61, 155, 197,
221/281, 63, 70, 277, 64; D3/203.2, 203,
D3/303, 232, 289, 276; 128/203.15;
222/78, 498, 548; D8/34; 428/15, 34.1
CPC ... A01K 5/0114; A01K 5/0121; A01K 7/005;
A01K 39/04; A01K 27/008; A01K 27/004;
A01K 27/003; A01K 1/0125; A01K 1/0114;

A01K 1/0107; A01K 23/005; A01K 23/00;
A01K 7/00; A01K 5/00; A01K 15/00; A01K
15/02; A01K 15/021; A01K 15/022; A01K
15/023; A01K 15/025; A01K 15/026; A01K
15/04; E01H 1/1206; E01H 2001/128; E01H
2001/1273

See application file for complete search history.

(56) **References Cited**

U.S. PATENT DOCUMENTS

506,982 A * 10/1893 Diamond B65D 47/265
15/184
2,976,988 A * 3/1961 Schneider B65D 75/5822
206/445
D196,939 S * 11/1963 Cigognetti D9/708
3,238,984 A * 3/1966 Shurtleff A45F 3/20
141/316
D235,739 S * 7/1975 Christensen D9/704

(Continued)

Primary Examiner — Susan Moon Lee

(74) *Attorney, Agent, or Firm* — K&L Gates LLP

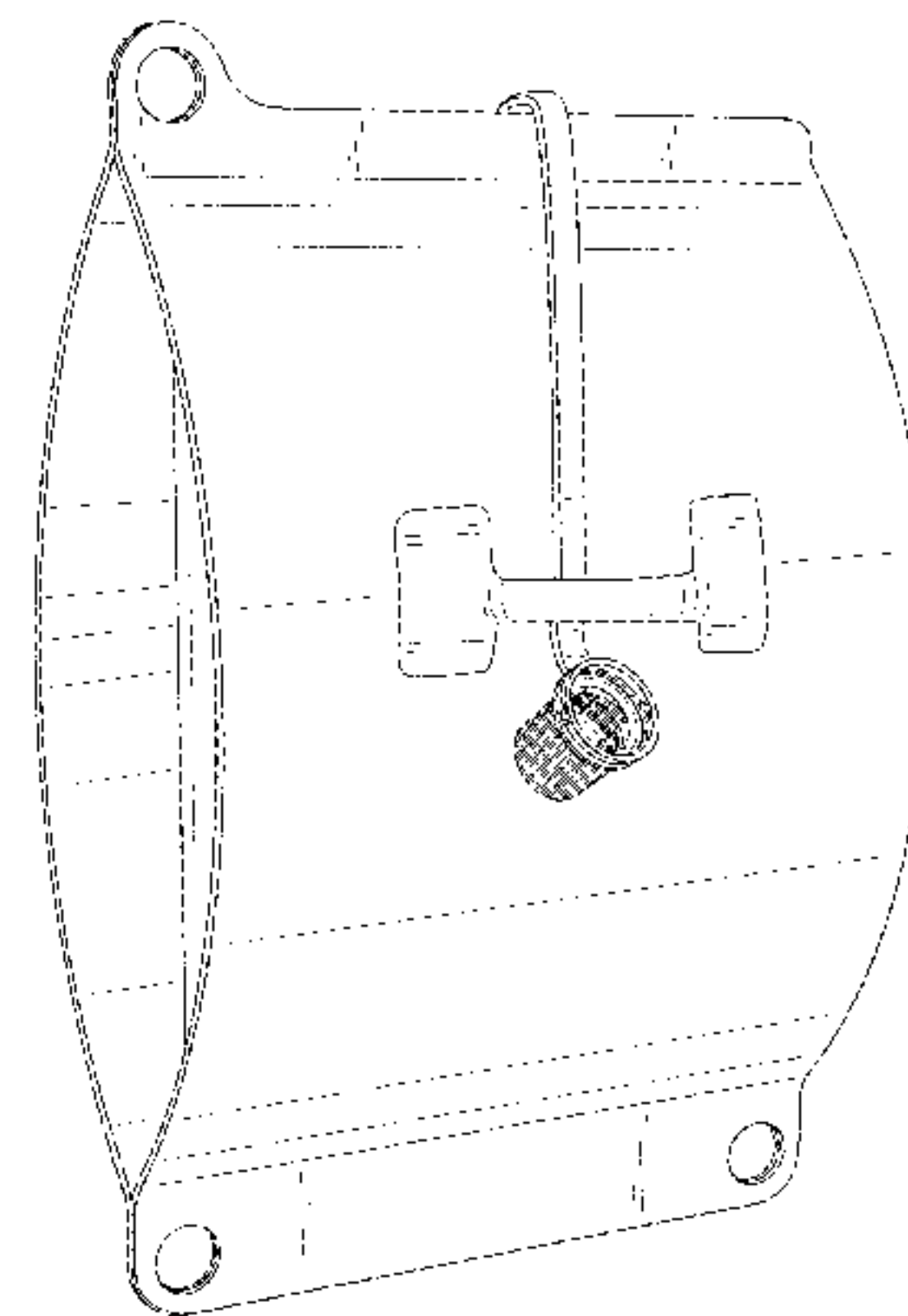
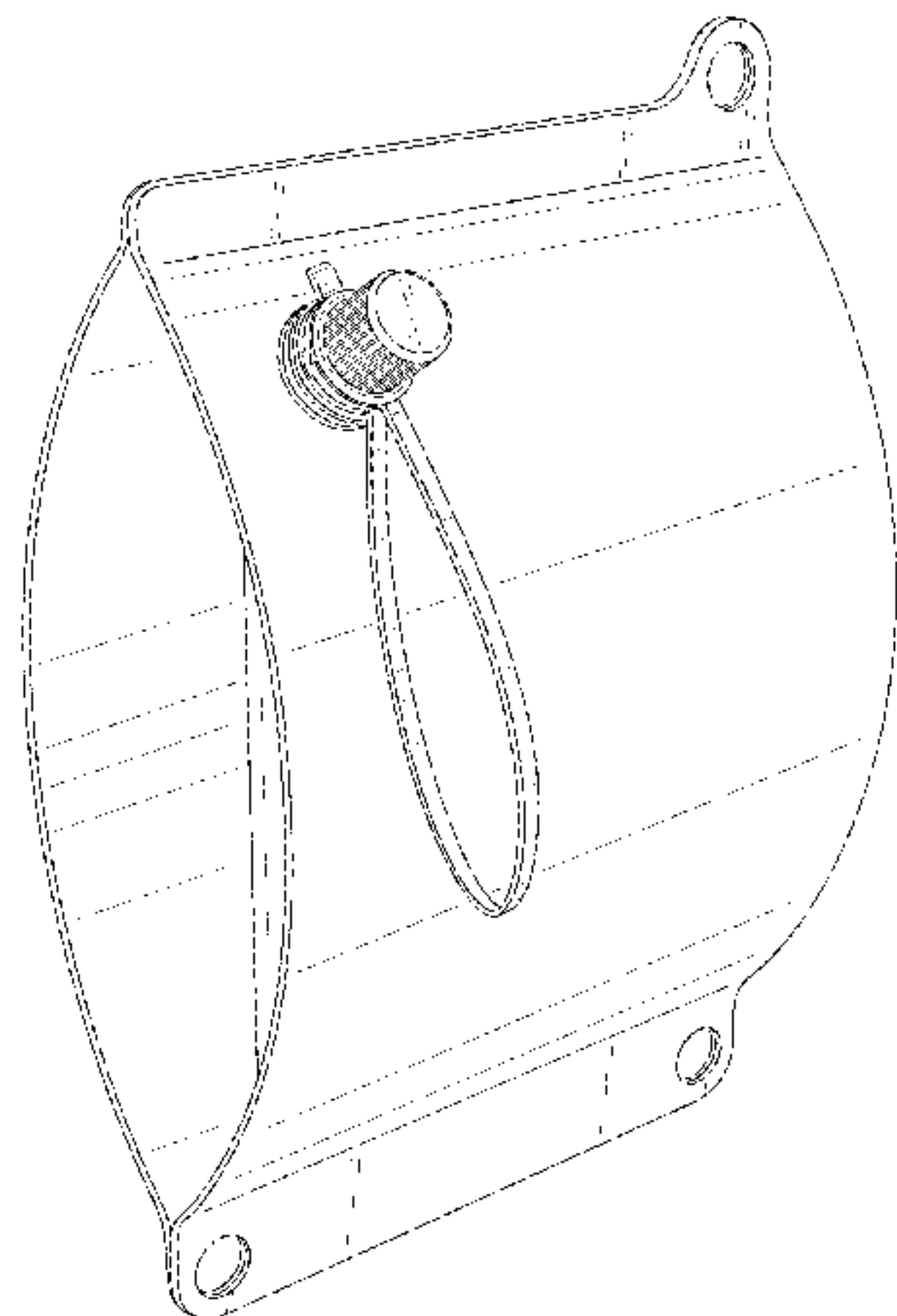
(57) **CLAIM**

The ornamental design for an animal treat dispensing container, as shown and described herein.

DESCRIPTION

FIG. 1 is a side, front perspective view of an animal treat dispensing container;
FIG. 2 is an opposite side, front perspective view of the animal treat dispensing container in which a cap component is shown removed from a dispensing opening;
FIG. 3 is a front perspective view of the animal treat dispensing container in which a portion of the cap component is positioned on a rear side of the container; and,
FIG. 4 is a rear perspective view of the animal treat dispensing container in which the cap component is secured to a rear retainer.

1 Claim, 4 Drawing Sheets



(56)

References Cited

U.S. PATENT DOCUMENTS

D236,807 S *	9/1975	Schmitt	D9/708	D558,596 S *	1/2008	Berman	D9/708
D272,762 S *	2/1984	Tanner, II	D24/118	D558,601 S *	1/2008	Berman	D9/709
D291,491 S *	8/1987	Larkin	D24/118	D573,483 S *	7/2008	Berman	D9/707
4,856,651 A *	8/1989	Francis, Jr.	A61F 7/03 126/263.07	D582,788 S *	12/2008	Smith	D9/708
D303,714 S *	9/1989	Manschot	D24/118	D583,681 S *	12/2008	Bernard	D9/710
D304,546 S *	11/1989	Cattach	D24/118	D593,422 S *	6/2009	Berman	D9/708
D324,566 S *	3/1992	Schmidt	D24/118	D597,855 S *	8/2009	Berman	D9/708
5,176,452 A *	1/1993	Stern	B65D 33/30 24/30.5 P	D597,856 S *	8/2009	Sherrill	D9/708
D338,399 S *	8/1993	Conte, Jr.	206/524.8	D598,783 S *	8/2009	Berman	D9/708
5,307,955 A *	5/1994	Viegas	B65D 47/2031 222/107	D603,605 S *	11/2009	Dingman	D3/226
D351,500 S *	10/1994	Yang	D3/202	7,658,542 B2 *	2/2010	Risgalla	B65D 75/5822 383/200
5,373,966 A *	12/1994	O'Reilly	B31B 41/00 206/484	7,686,513 B2 *	3/2010	Knoerzer	B65D 31/02 206/831
D358,468 S *	5/1995	Howard	D24/118	D615,646 S *	5/2010	Russell	D24/118
D360,577 S *	7/1995	van Loo	D9/707	D619,907 S *	7/2010	Ueda	D9/708
D360,824 S *	8/1995	Ossendryver	D9/709	D623,536 S *	9/2010	Bohmke	D9/707
D364,268 S *	11/1995	Brown	D3/202	D626,703 S *	11/2010	Neff	D30/121
5,609,899 A *	3/1997	Spector	B65D 1/0292 222/107	7,857,515 B2 *	12/2010	Dais	B65D 33/25 24/585.12
5,632,416 A *	5/1997	Lane, Jr.	B05C 17/00583 222/105	D650,291 S *	12/2011	Ager	D9/697
5,731,021 A *	3/1998	Spector	B65D 77/068 222/105	8,104,959 B2 *	1/2012	Lucas	B65B 61/16 383/10
5,782,562 A *	7/1998	Anspacher	B65D 33/08 383/15	D654,372 S *	2/2012	Hung	D9/710
D413,258 S *	8/1999	Voller	D9/456	D662,202 S *	6/2012	O'Donnell	D24/118
5,941,421 A *	8/1999	Overman	B65D 75/5877 222/105	D671,839 S *	12/2012	Risgalla	D9/705
D416,676 S *	11/1999	Fitzgerald	D3/226	D676,763 S *	2/2013	Kenmotsu	D9/707
D429,459 S *	8/2000	Berman	D9/707	D680,446 S *	4/2013	Moynihan	D9/709
D430,794 S *	9/2000	Parent-Inch	D9/416	D684,481 S *	6/2013	Campos	D9/710
D436,846 S *	1/2001	Millon	D9/708	D688,794 S *	8/2013	Ueda	D24/118
D439,328 S *	3/2001	Nielsen	D24/118	D690,605 S *	10/2013	Hong	D9/710
D440,868 S *	4/2001	Berman	D9/707	D693,566 S *	11/2013	Martin	D3/202
6,220,702 B1 *	4/2001	Nakamura	B41J 2/17503 206/524.8	D699,128 S *	2/2014	Moynihan	D9/707
6,245,367 B1 *	6/2001	Galomb	B65D 51/247 206/541	D702,132 S *	4/2014	Gebhardt	D9/709
D452,144 S *	12/2001	Tedeschi, Jr.	D9/707	D707,134 S *	6/2014	Simpson	D9/709
6,364,864 B1 *	4/2002	Mohiuddin	A61J 1/10 206/219	D711,251 S *	8/2014	Epstein	D9/707
D470,758 S *	2/2003	Bakersmith	D9/708	D711,749 S *	8/2014	Kim	D18/56
D470,763 S *	2/2003	Garcia	D9/711	8,794,833 B2 *	8/2014	Runyon	B65D 33/08 383/10
D470,764 S *	2/2003	Garcia	D9/711	D712,245 S *	9/2014	Lew	D9/415
D476,225 S *	6/2003	De La Garza	D9/707	D714,658 S *	10/2014	Bielawski	D9/709
D480,630 S *	10/2003	Berman	D9/708	D723,938 S *	3/2015	Karasawa	D18/56
D483,562 S *	12/2003	Barton	D3/226	D724,953 S *	3/2015	Epstein	D9/707
6,662,829 B2 *	12/2003	Credle, Jr.	B65D 75/5883 141/10	D725,260 S *	3/2015	Cesa	D24/118
6,719,140 B1 *	4/2004	Rinsler	A45C 11/20 206/541	D727,169 S *	4/2015	Pease	D9/708
6,742,724 B2 *	6/2004	Duqueroie	B05B 11/048 222/92	D729,071 S *	5/2015	Bradley	D9/705
D496,583 S *	9/2004	Berman	D9/708	D734,165 S *	7/2015	Kearns	D9/707
6,854,888 B1 *	2/2005	Brown	A45F 3/20 222/107	D734,676 S *	7/2015	Kojime	D9/709
D505,066 S *	5/2005	Ootubo	D9/709	D734,940 S *	7/2015	Fay	D3/202
D512,650 S *	12/2005	Dapsance	D9/707	D744,854 S *	12/2015	Murray	D9/709
D527,278 S *	8/2006	Ueda	D9/702	D747,094 S *	1/2016	Ciptak	D3/226
D532,702 S *	11/2006	Berman	D9/708	D747,656 S *	1/2016	May	D9/708
7,178,313 B2 *	2/2007	Bezek	B65B 9/2042 53/155	2002/0193762 A1 *	12/2002	Suydam	A61F 5/4556 604/327
D543,117 S *	5/2007	Sanfilippo	D9/702	2003/0002755 A1 *	1/2003	Kim	B65D 33/004 383/119
D550,570 S *	9/2007	Berman	D9/708	2003/0136345 A1 *	7/2003	O'Rourke	A01K 15/025 119/51.01
D551,567 S *	9/2007	Berman	D9/708	2003/0223653 A1 *	12/2003	Knoerzer	B65D 31/12 383/40
D553,998 S *	10/2007	Berman	D9/709	2004/0096127 A1 *	5/2004	Rosn	B65D 75/5866 383/44
D555,011 S *	11/2007	Spanjaard	D9/631	2005/0013905 A1 *	1/2005	Hughes	B65D 81/3888 426/106
				2005/0015070 A1 *	1/2005	Delnevo	A61J 1/1412 604/408
				2006/0189962 A1 *	8/2006	Burtoft	A61F 5/44 604/544
				2008/0137998 A1 *	6/2008	Burfiend	A47K 5/18 383/120
				2015/0296743 A1 *	10/2015	Pietrocarlo	A01K 7/00 119/51.01

* cited by examiner

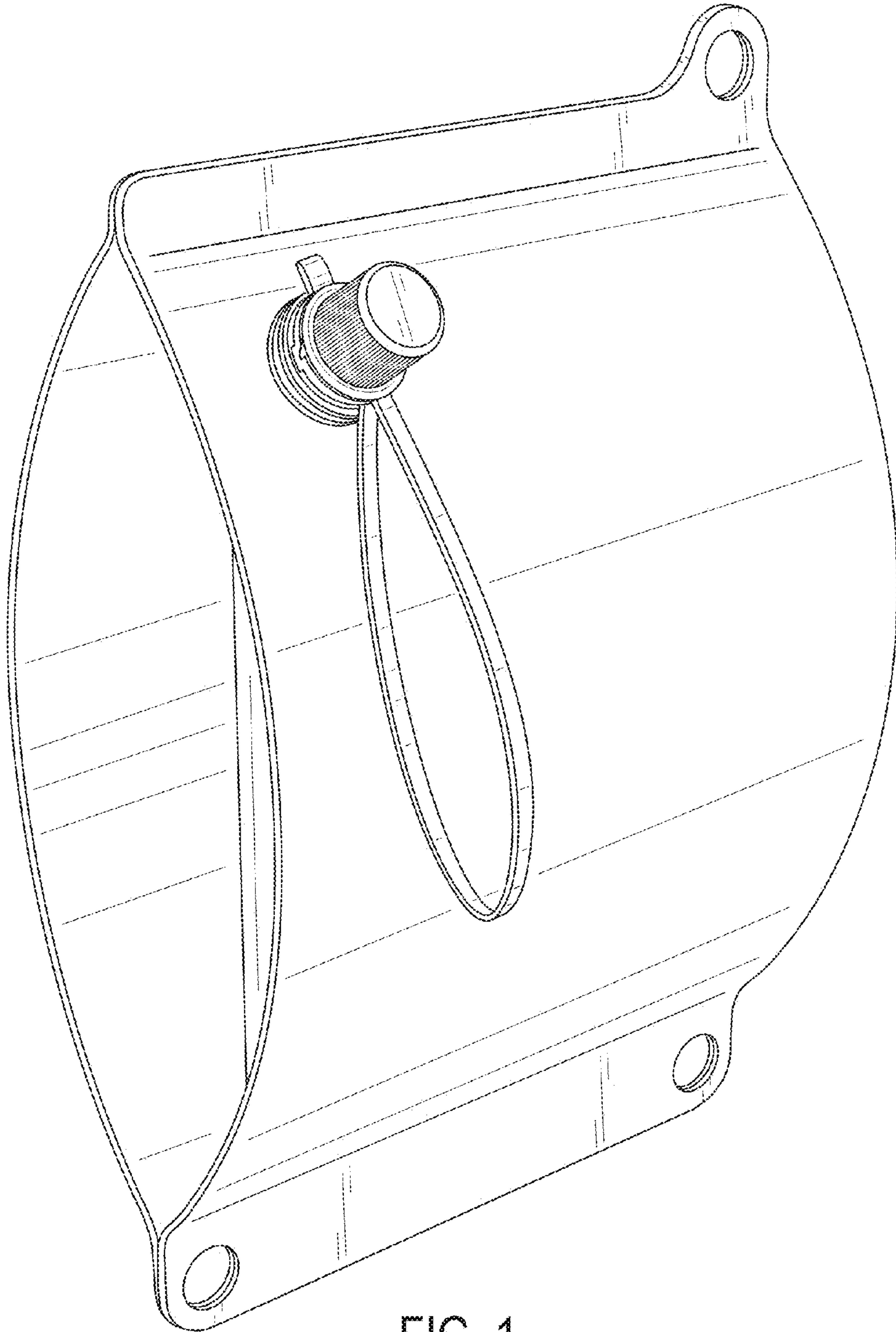


FIG. 1

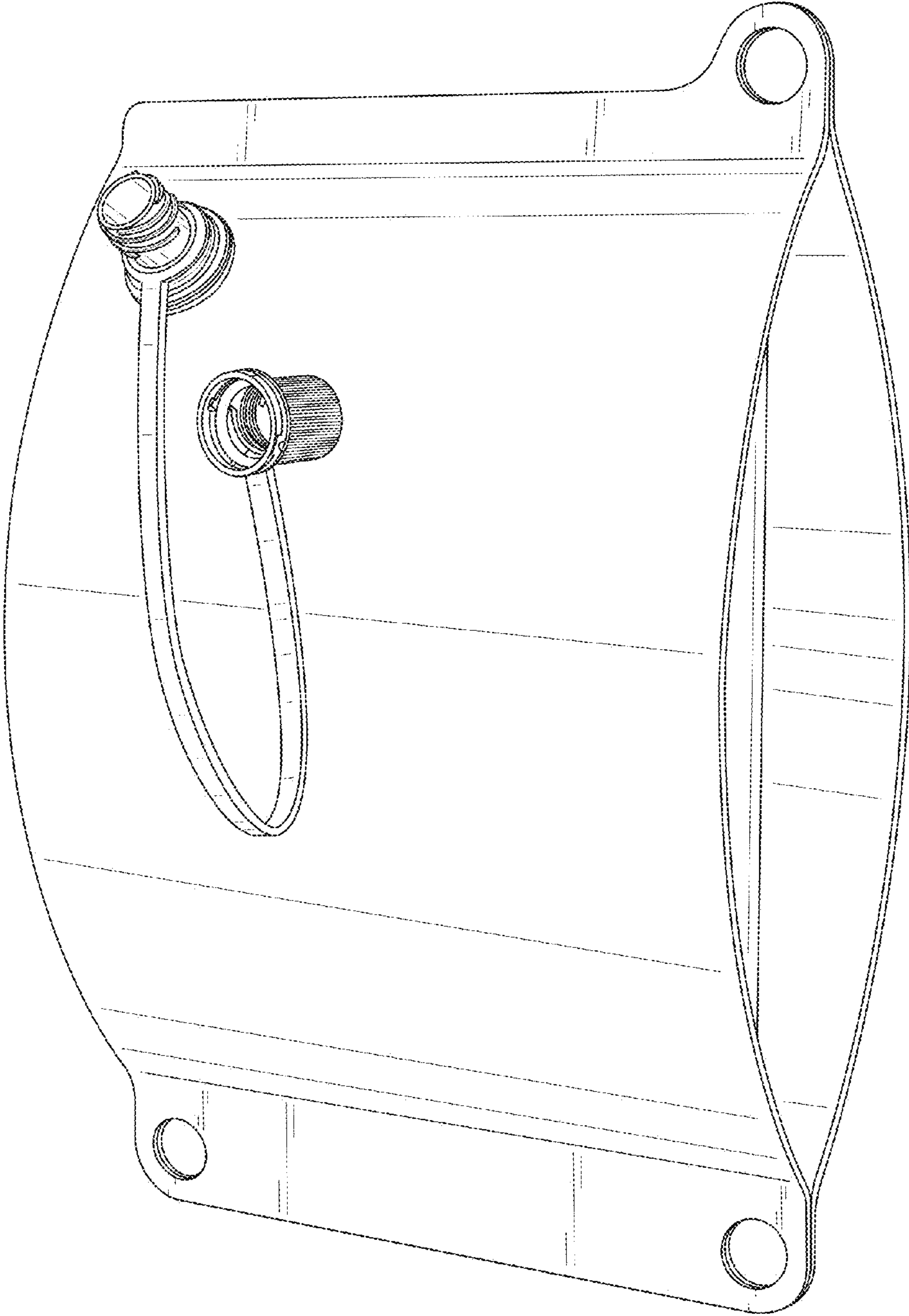


FIG. 2

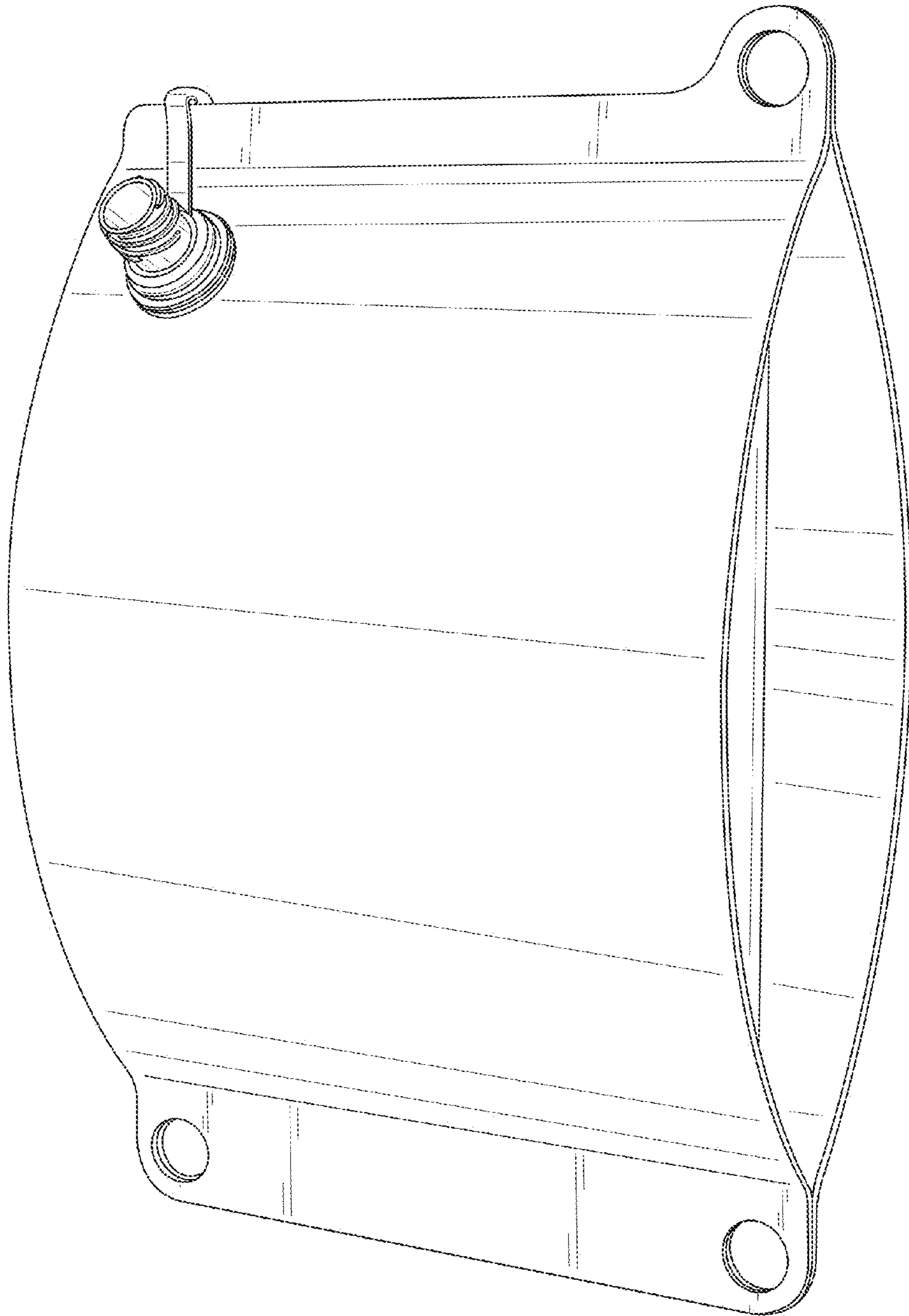


FIG. 3

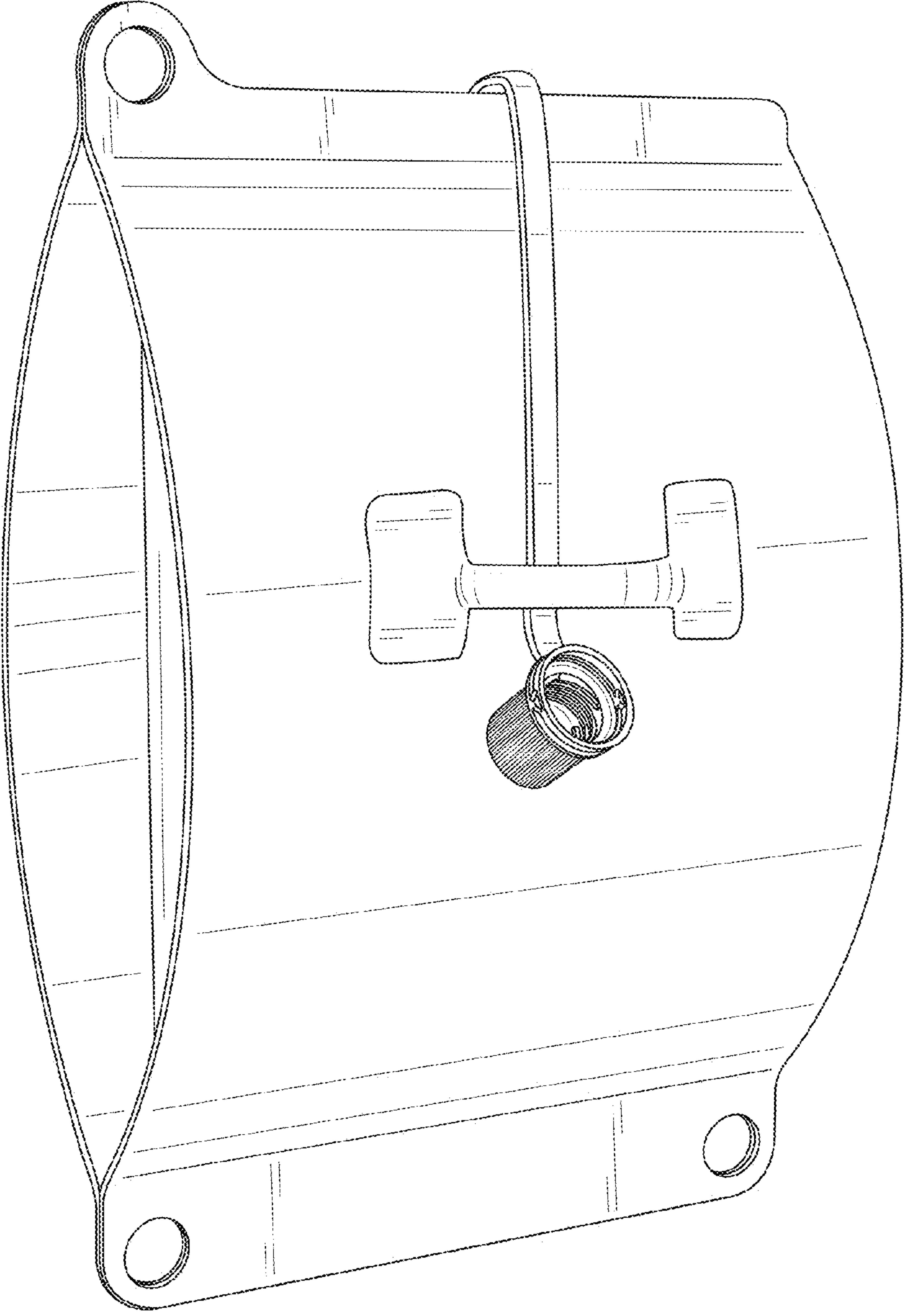


FIG. 4