



US00D762014S

(12) **United States Design Patent**
Chance et al.

(10) **Patent No.:** **US D762,014 S**
(45) **Date of Patent:** **** Jul. 19, 2016**

(54) **PET CARRIER VENT PANEL**

(71) Applicant: **Stout Stuff, LLC**, Bentonville, AR (US)

(72) Inventors: **Christopher E. Chance**, Bella Vista, AR (US); **Thomas Lawson**, Rogers, AR (US); **Andrew Bojie**, Centerton, AR (US); **Jake Mackenzie Houser**, Bentonville, AR (US); **Timothy Hart**, Rogers, AR (US)

(73) Assignee: **Stout Stuff, LLC**, Bentonville, AR (US)

(**) Term: **14 Years**

(21) Appl. No.: **29/489,085**

(22) Filed: **Apr. 25, 2014**

Related U.S. Application Data

(63) Continuation-in-part of application No. 29/444,587, filed on Jan. 31, 2013, now Pat. No. Des. 713,099, and a continuation-in-part of application No. 29/444,592, filed on Jan. 31, 2013, now Pat. No. Des. 703,876.

(51) **LOC (10) Cl.** **30-02**

(52) **U.S. Cl.**
USPC **D30/119; D30/108**

(58) **Field of Classification Search**
USPC D30/108–109, 112–117, 119, 161; 119/428–429, 430–436, 445, 452–453, 119/455, 459, 467, 472, 474–475, 481–482, 119/484, 496–503, 512; D7/676; D19/40
CPC A01K 1/00; A01K 1/01; A01K 1/02; A01K 1/03; A01K 31/00; A01K 31/06; A01K 31/07; A01K 31/08; A01K 31/14; A01K 31/18; A01K 5/00; A01K 29/00; A01K 1/0245; A47K 11/02; E04H 1/02
See application file for complete search history.

(56) **References Cited**

U.S. PATENT DOCUMENTS

3,490,417 A 1/1970 Swinney
3,509,855 A * 5/1970 Priddy, Jr. A01K 1/0245
119/497
D289,970 S * 5/1987 Smith D8/306
4,852,520 A 8/1989 Goetz

(Continued)

Primary Examiner — Cathy Anne MacCormac

(74) *Attorney, Agent, or Firm* — Thomas J. Oppold; Larkin Hoffman Daly & Lindgren, Ltd.

(57) **CLAIM**

The ornamental design for a pet carrier vent panel, as shown and described.

DESCRIPTION

FIG. 1 is a perspective view of the pet carrier vent panel of the present design.

FIG. 2 is a partial enlarged perspective view of a portion of FIG. 1.

FIG. 3 is a front elevation view of the pet carrier vent panel of the present design; and,

FIG. 4 is a partial enlarged front elevation view of a portion of FIG. 3.

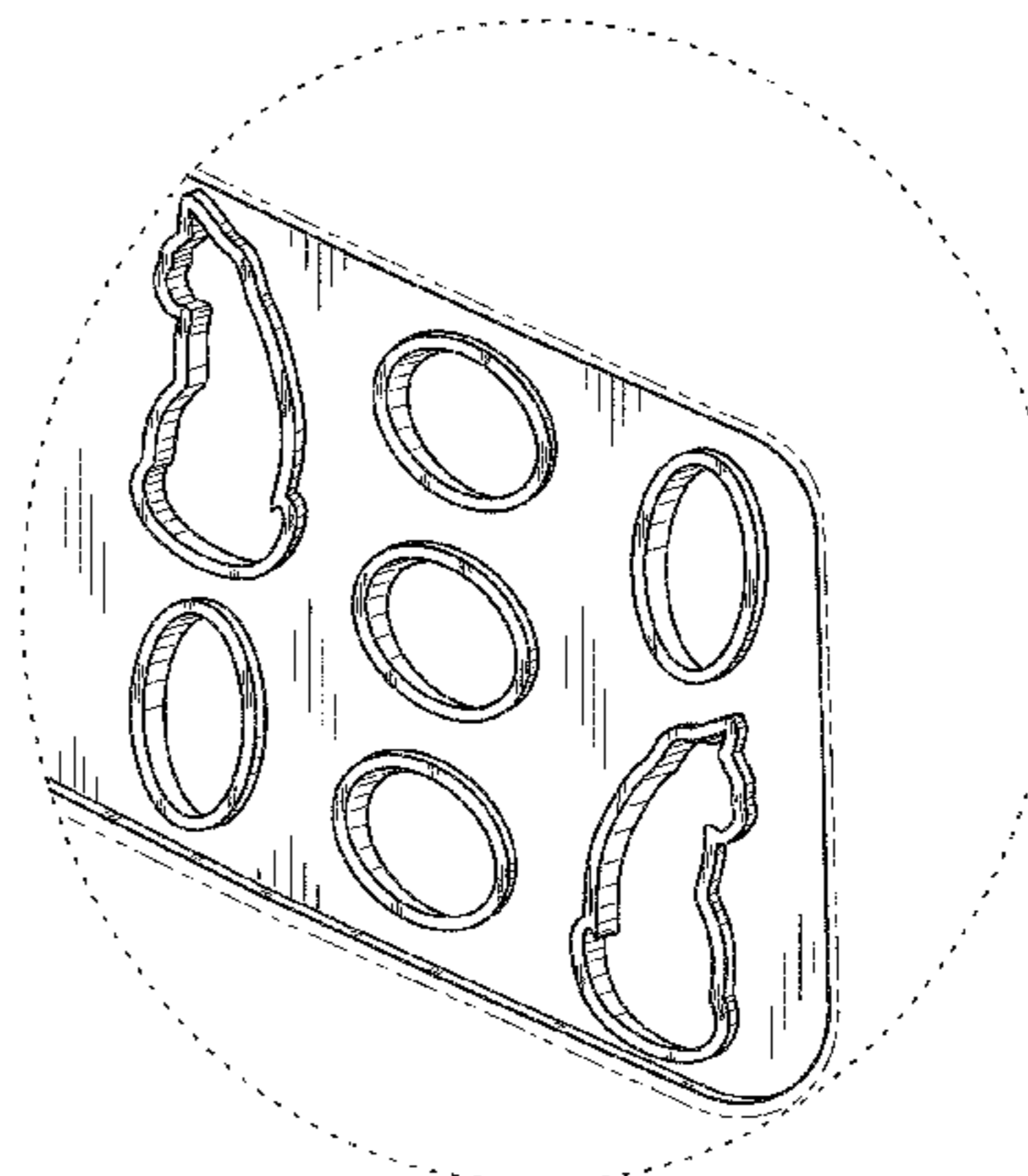
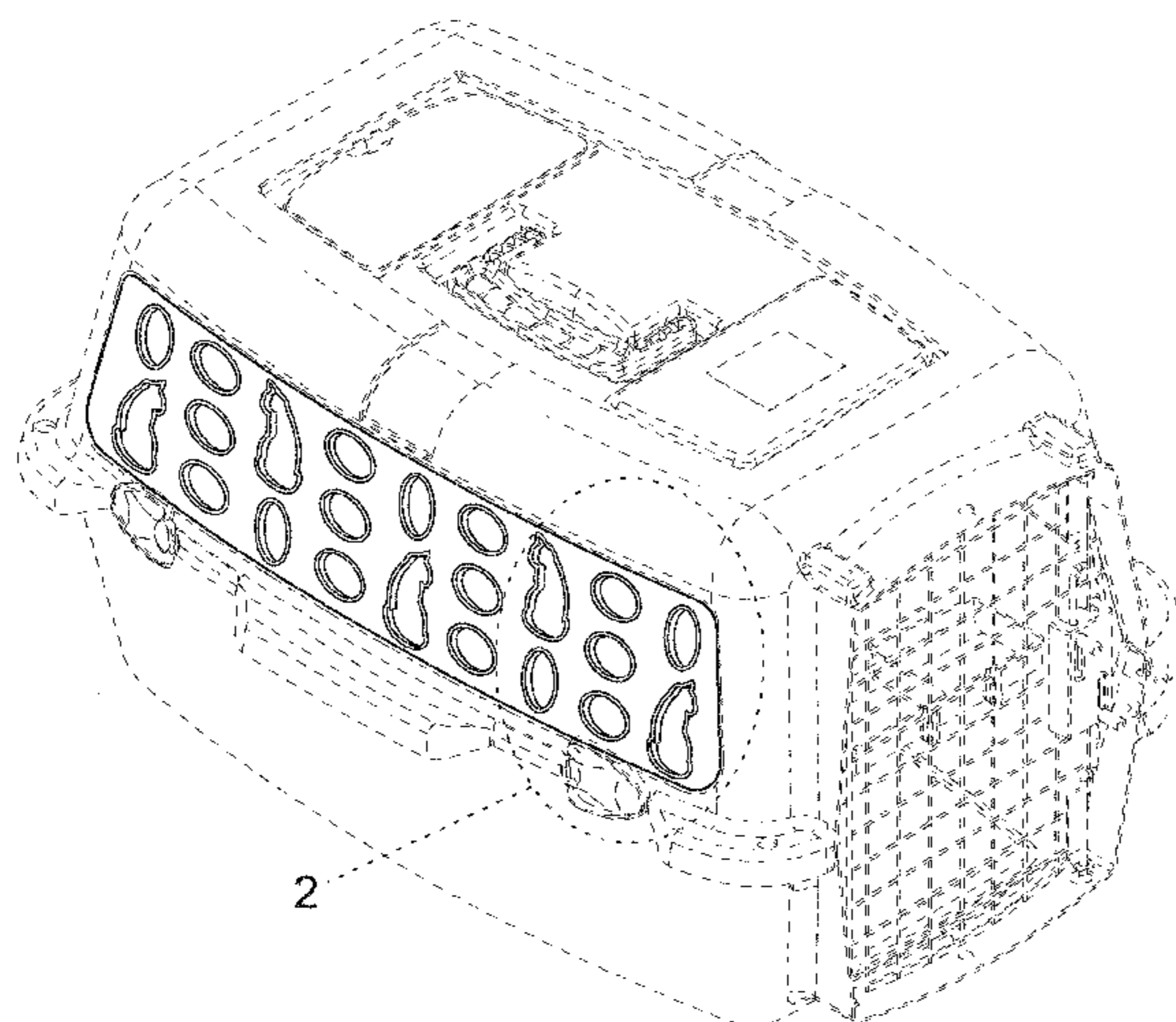
The broken lines showing the pet carrier in FIG. 1 depict environmental subject matter, are for illustration only and form no part of the claimed design.

The dot-dot-dash line in FIGS. 2, 3 and 4 around the periphery of the pet carrier vent panel defines the boundary between the claimed and non-claimed subject matter.

The dotted lines encircling the portion of the pet carrier vent panel and the arrows in FIGS. 1 and 3 are for the purpose of identifying the partial portions of the pet carrier vent panel which are shown in the enlarged views of FIGS. 2 and 4, respectively, and form no part of the claimed design.

The ovals and cat shapes of the pet carrier vent panel are apertures.

1 Claim, 2 Drawing Sheets



(56)

References Cited

U.S. PATENT DOCUMENTS

D308,429 S	6/1990	Van Skiver	
D312,333 S	11/1990	Van Skiver	
D314,251 S	1/1991	Van Skiver	
5,016,570 A	5/1991	Henson	
D321,613 S *	11/1991	Gandy	D6/336
5,253,612 A	10/1993	Goetz	
5,307,758 A	5/1994	Ho	
D367,732 S *	3/1996	Murphy	D30/108
5,701,843 A	12/1997	Lazides	
D412,223 S *	7/1999	Medhurst	D30/109
6,427,631 B1	8/2002	Ross	
D470,628 S	2/2003	Kinder et al.	
D471,676 S	3/2003	Kinder et al.	
6,571,740 B1	6/2003	Kinder et al.	
D502,576 S *	3/2005	Miller	D30/161
D545,004 S *	6/2007	Harper	D30/108
D545,507 S	6/2007	Harper et al.	
D546,005 S	7/2007	Harper et al.	
D551,399 S	9/2007	Harper et al.	
D555,292 S	11/2007	Harper et al.	
D566,907 S	4/2008	Barca	
D571,054 S	6/2008	Donnelly	
D575,907 S	8/2008	Roderman et al.	
D603,112 S *	10/2009	Pergolski	D30/161
D608,954 S *	1/2010	Tharp	D30/109
D611,534 S *	3/2010	Voss	D19/40
D678,623 S	3/2013	Iranyi et al.	
D680,696 S *	4/2013	Hammel	D30/108
8,584,618 B1 *	11/2013	Batson	A01K 1/0245 119/496
D694,961 S *	12/2013	Skaggs	D30/109
8,613,260 B2 *	12/2013	Veness	A01K 1/0245 119/484
D735,952 S *	8/2015	Otto	D30/108
2011/0041774 A1	2/2011	Northrop et al.	

* cited by examiner

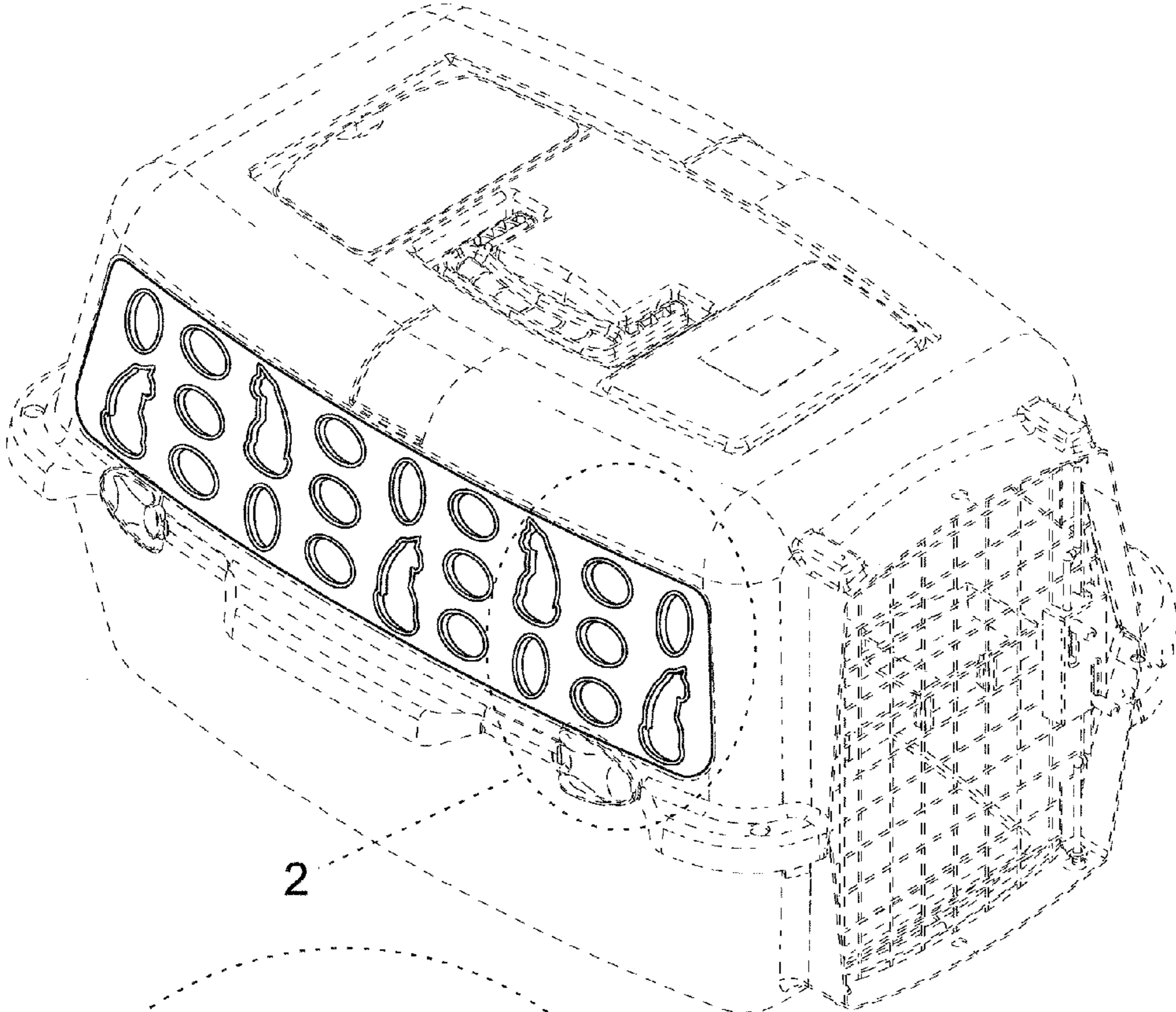


FIG. 1

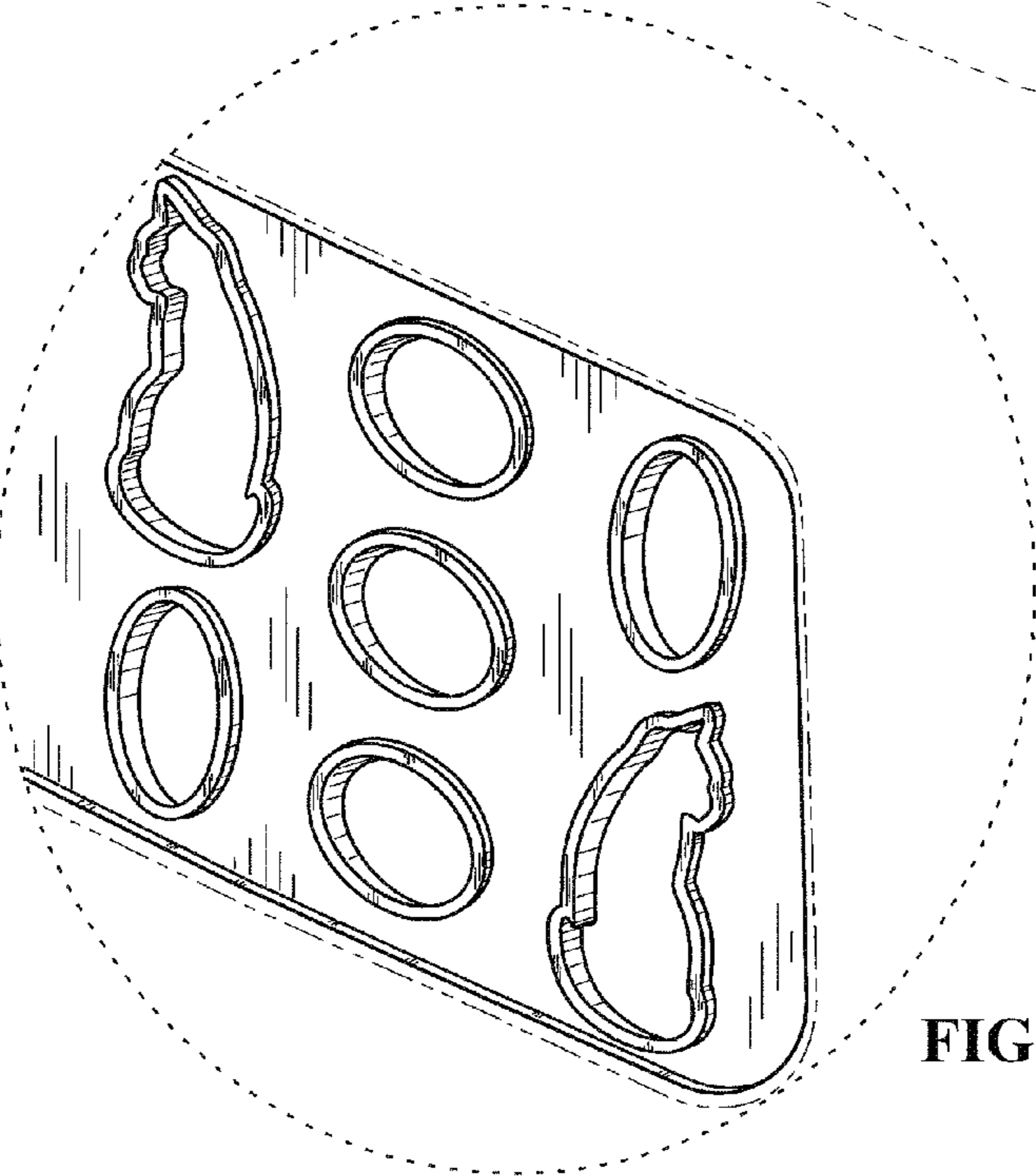


FIG. 2

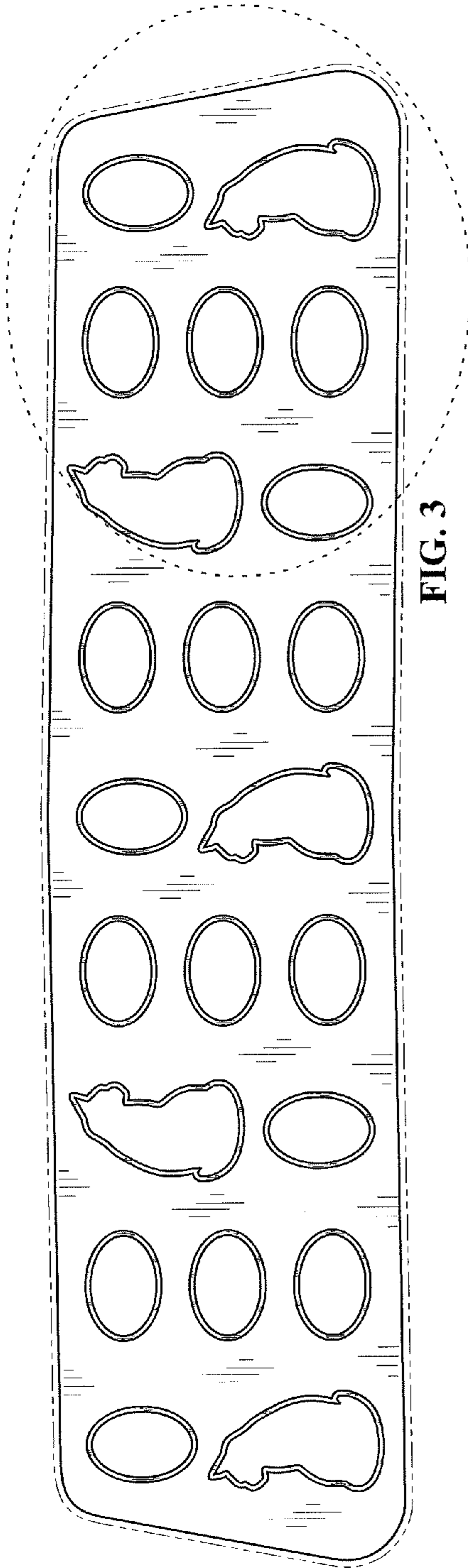


FIG. 3

4

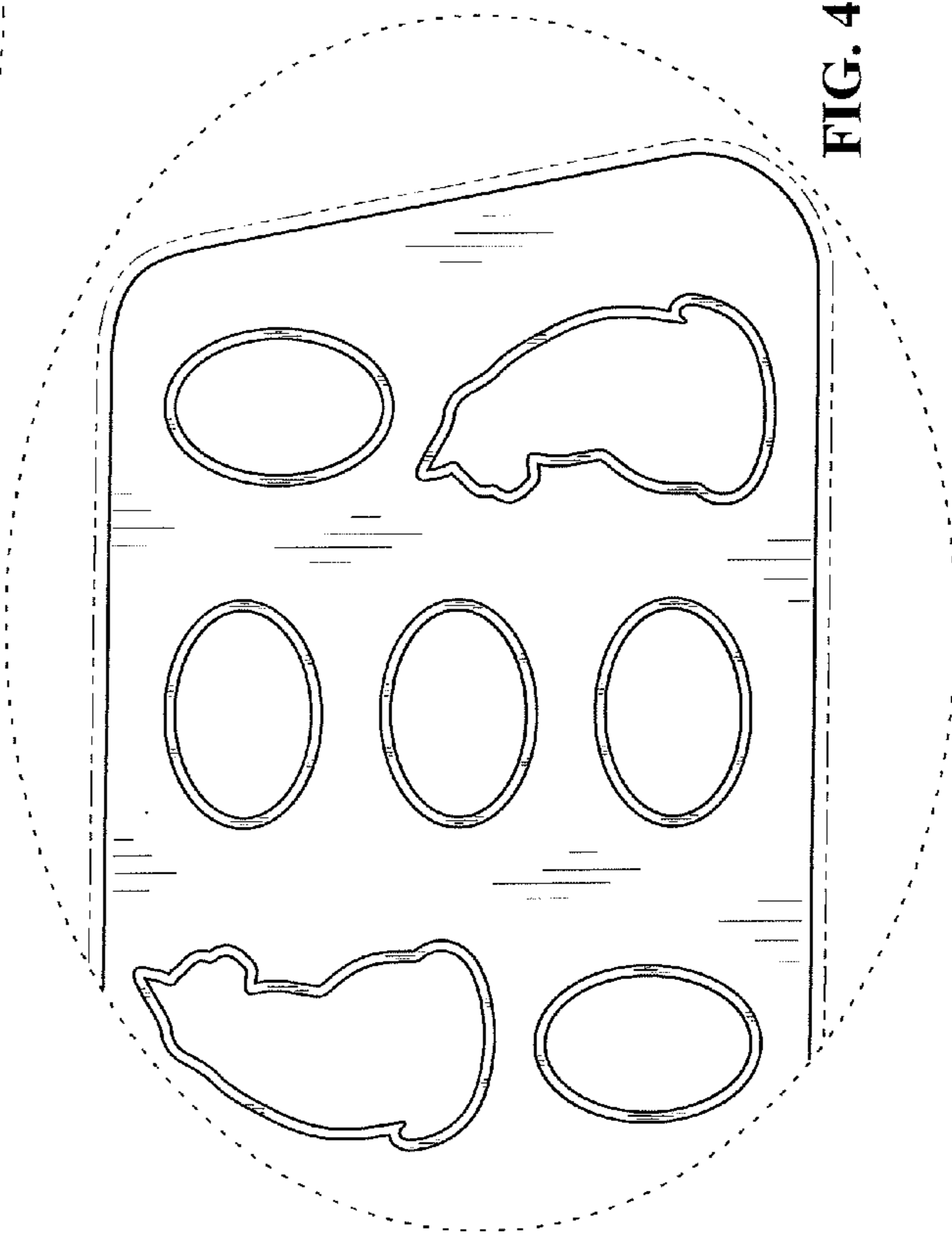


FIG. 4