



US00D762010S

(12) **United States Design Patent**  
**Xavier et al.**

(10) **Patent No.:** **US D762,010 S**  
(45) **Date of Patent:** **\*\* Jul. 19, 2016**

(54) **COMBINED LIPSTICK AND LIPSTICK DISPENSER**

D739,077 S \* 9/2015 Kloman ..... D28/4  
D741,004 S \* 10/2015 Kloman ..... D28/4  
2002/0182157 A1 12/2002 Grayson

(71) Applicants: **Simone Rodrigues Oliveira Xavier**,  
Fort Lauderdale, FL (US); **Rene Xavier**  
**Filho**, Fort Lauderdale, FL (US)

FOREIGN PATENT DOCUMENTS

FR 892330 A \* 4/1944

(72) Inventors: **Simone Rodrigues Oliveira Xavier**,  
Fort Lauderdale, FL (US); **Rene Xavier**  
**Filho**, Fort Lauderdale, FL (US)

\* cited by examiner

*Primary Examiner* — Jennifer Rivard

(73) Assignee: **Sigma Enterprises, LLC**, New  
Brighton, MN (US)

(74) *Attorney, Agent, or Firm* — Dorsey & Whitney LLP

(\*\*) Term: **14 Years**

(57) **CLAIM**

We claim the ornamental design for a combined lipstick and lipstick dispenser, as shown and described.

(21) Appl. No.: **29/506,534**

**DESCRIPTION**

(22) Filed: **Oct. 16, 2014**

FIG. 1 is a top front isometric view of a combined lipstick and lipstick dispenser with a cap shown on the lipstick dispenser for environment.

(51) **LOC (10) Cl.** ..... **28-03**

FIG. 2 is a top front isometric view of the combined lipstick and lipstick dispenser of FIG. 1.

(52) **U.S. Cl.**

USPC ..... **D28/89**; D28/87

FIG. 3 is a bottom front isometric view of the combined lipstick and lipstick dispenser of FIG. 2.

(58) **Field of Classification Search**

USPC ..... D28/85–90, 79, 4

CPC ..... A45D 2040/0025–2040/0062; A45D

2040/0012; A45D 40/02–40/065; A45D

40/10–40/12; A45D 40/14; A45D 40/18;

A45D 2200/00–2200/053; A61K 8/0229

See application file for complete search history.

FIG. 4 is a front elevation view of the combined lipstick and lipstick dispenser of FIG. 2.

FIG. 5 is a rear elevation view of the combined lipstick and lipstick dispenser of FIG. 2.

FIG. 6 is a left elevation view of the combined lipstick and lipstick dispenser of FIG. 2.

FIG. 7 is a right elevation view of the combined lipstick and lipstick dispenser of FIG. 2.

FIG. 8 is a top elevation view of the combined lipstick and lipstick dispenser of FIG. 2; and,

FIG. 9 is a bottom elevation view of the combined lipstick and lipstick dispenser of FIG. 2.

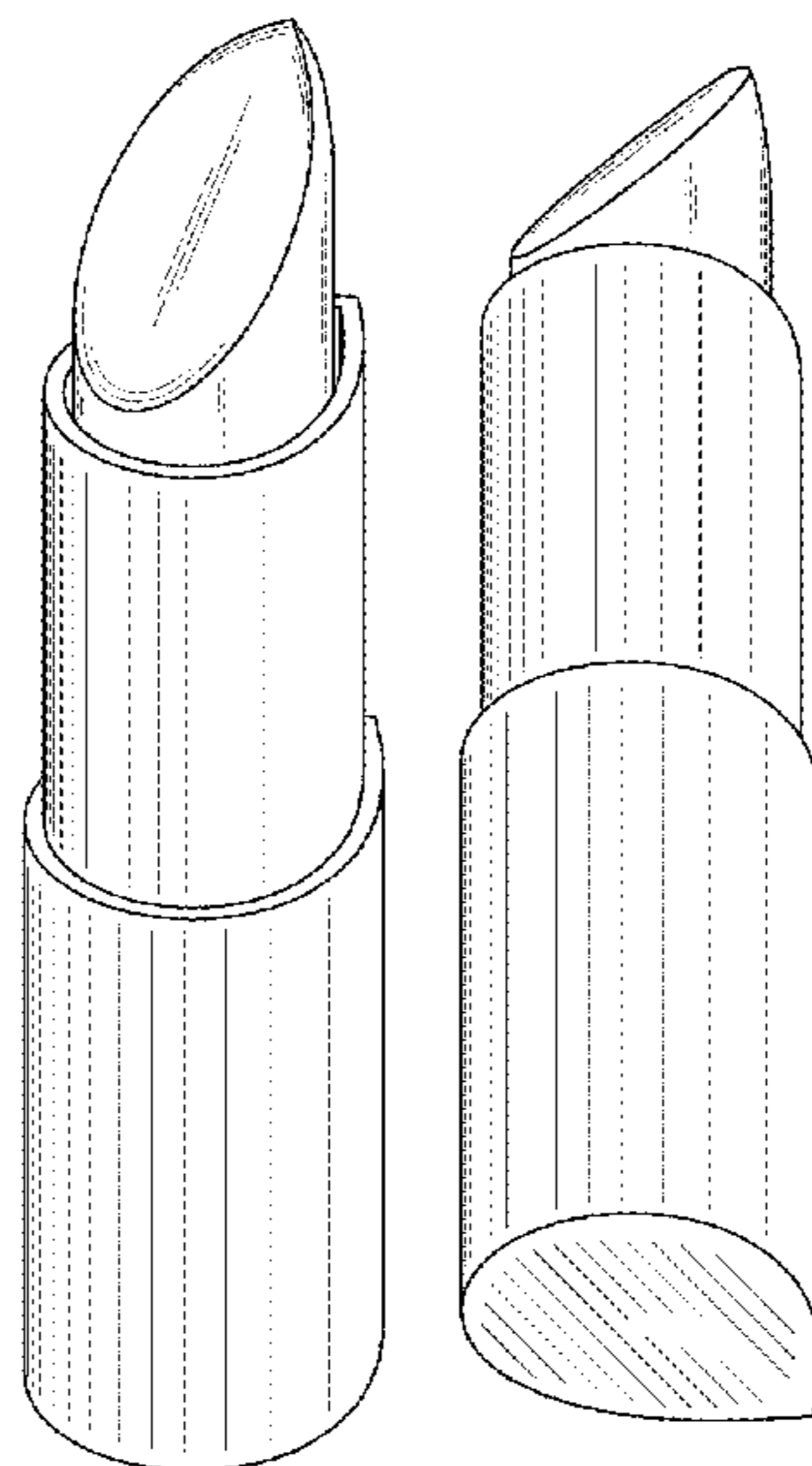
In FIG. 1, the broken line disclosure of the cap illustrates the environment and forms no part of the claimed design.

(56) **References Cited**

U.S. PATENT DOCUMENTS

2,162,584	A	5/1938	Kole	
3,338,397	A	8/1967	Noyack et al.	
D278,750	S	5/1985	Pisani et al.	
4,740,097	A	4/1988	Kapustin	
D315,426	S	3/1991	Pisani et al.	
D660,513	S *	5/2012	Palo	D28/4
D673,325	S *	12/2012	Martines	D28/4
8,523,470	B2	9/2013	Palo et al.	

**1 Claim, 4 Drawing Sheets**



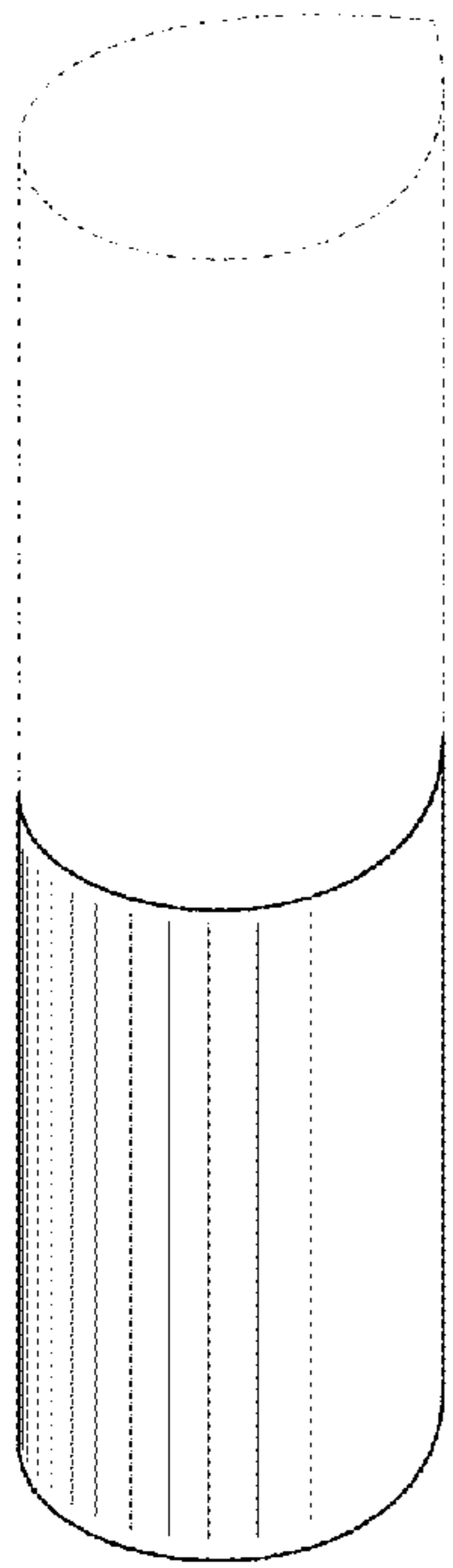


FIG. 1

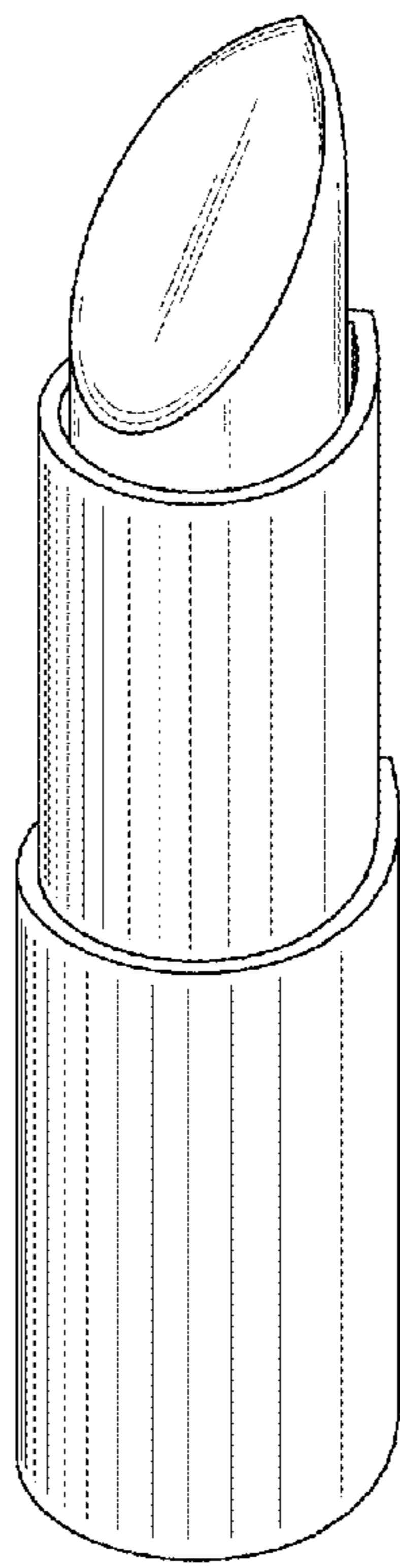


FIG. 2

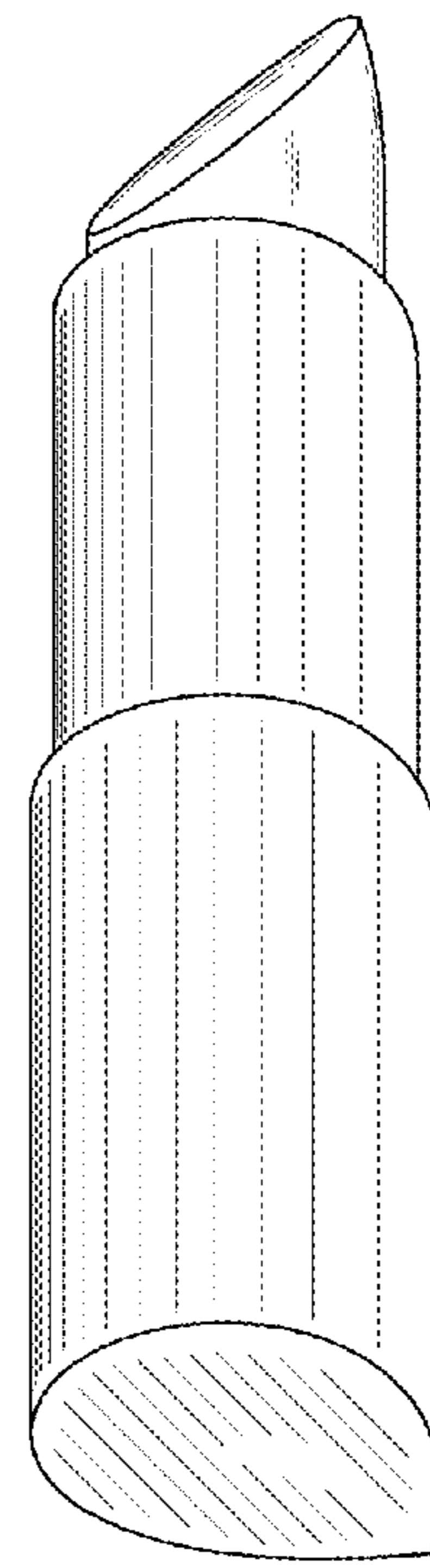


FIG. 3

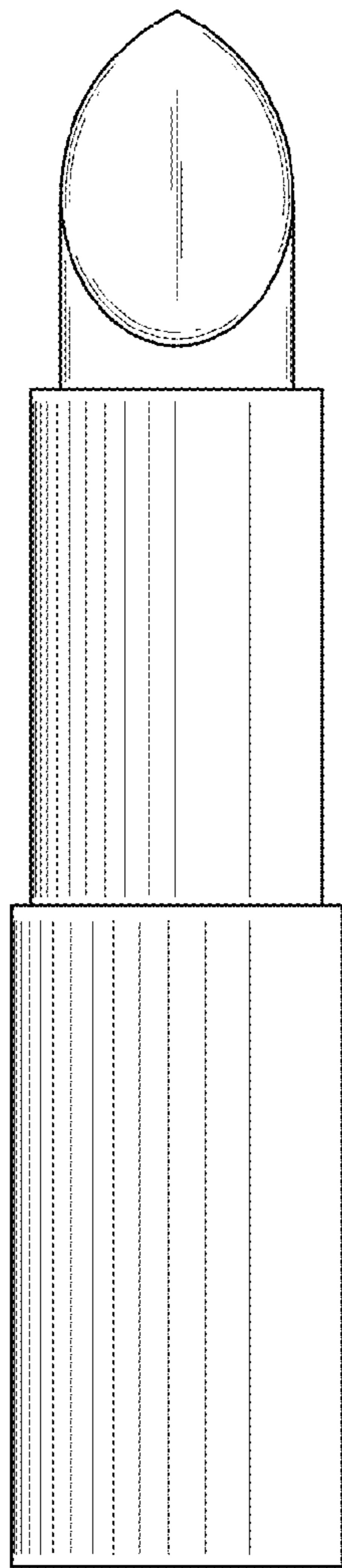


FIG. 4

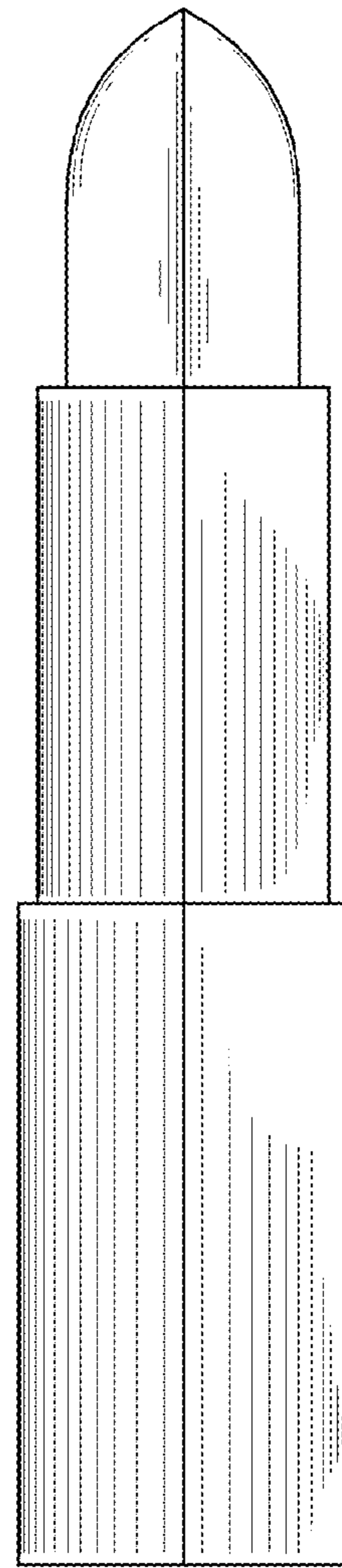


FIG. 5

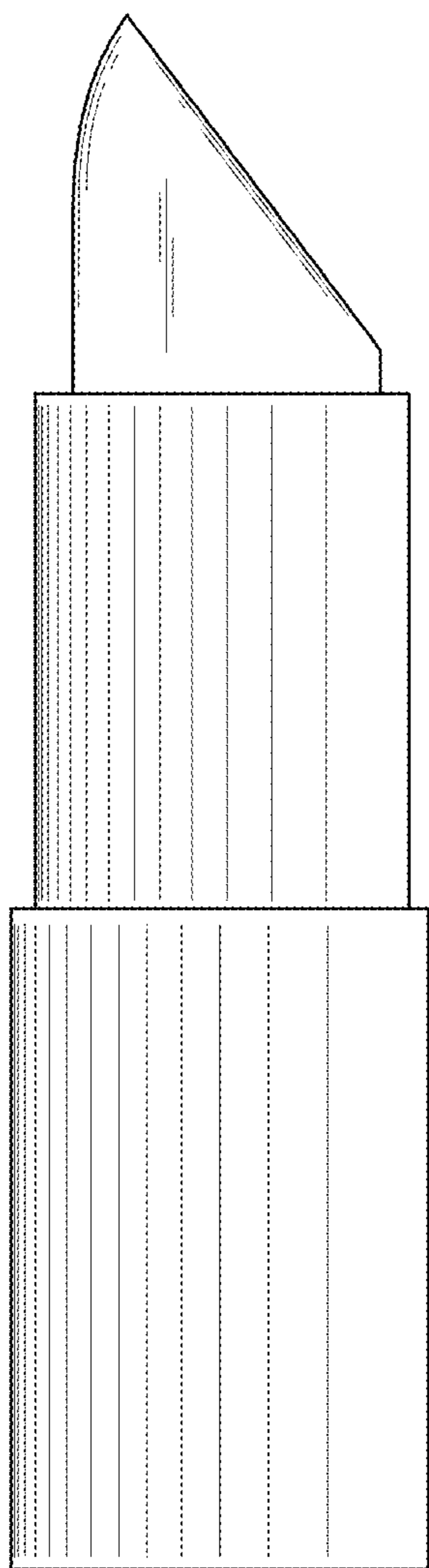


FIG. 6

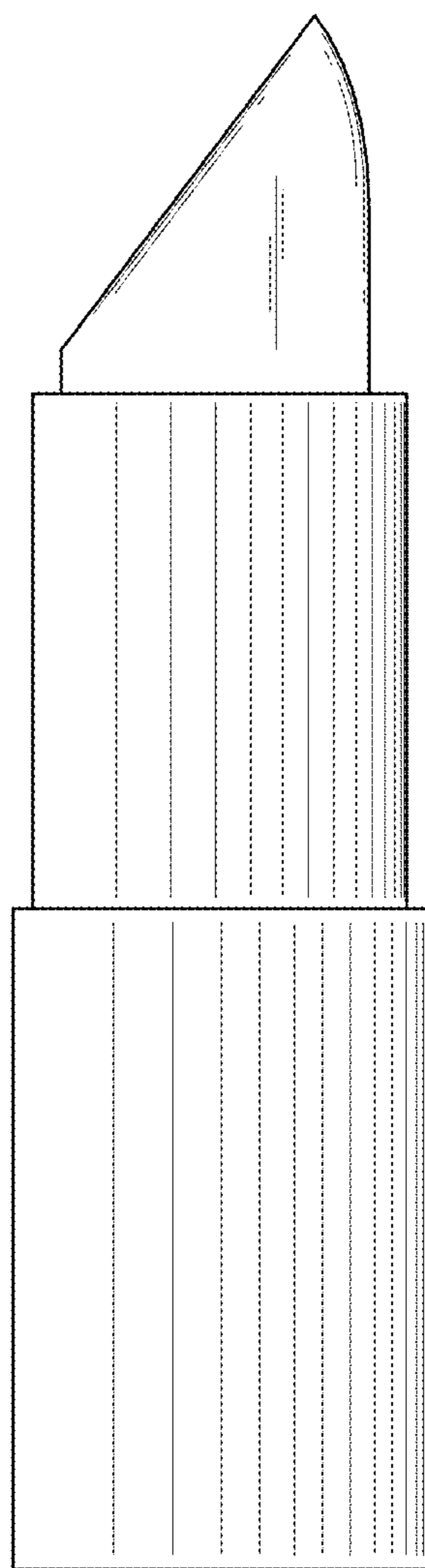


FIG. 7

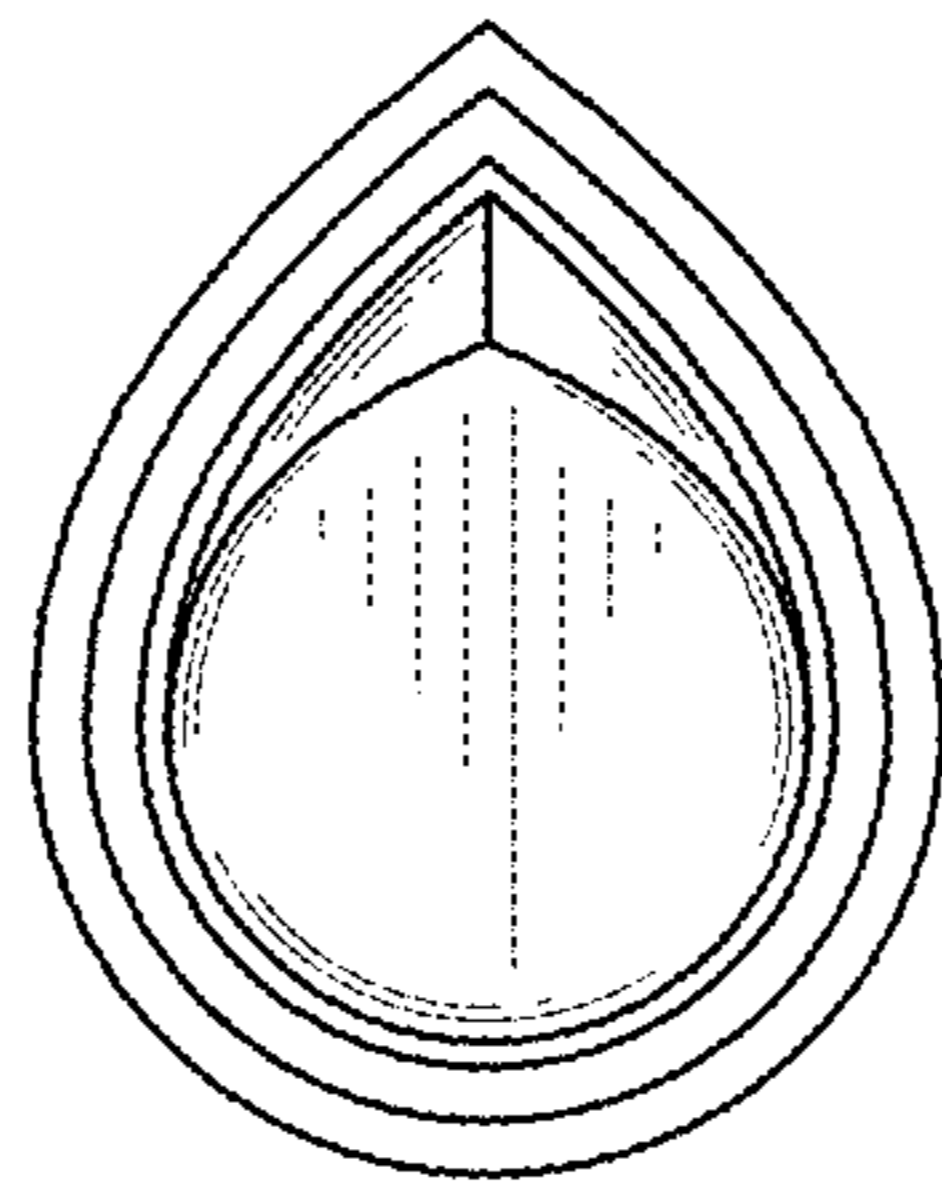


FIG. 8

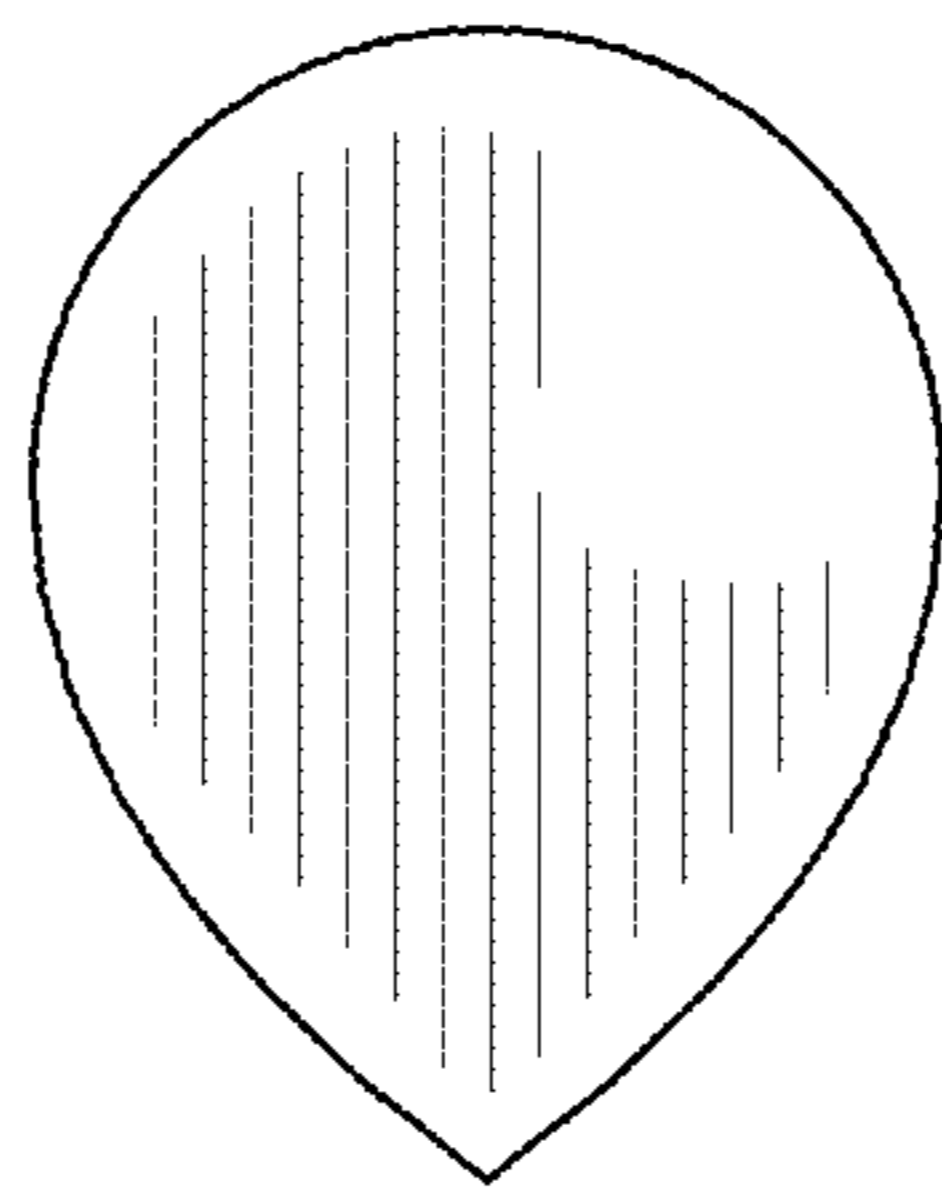


FIG. 9