

US00D762006S

(12) **United States Design Patent**  
**Cho**

(10) **Patent No.:** **US D762,006 S**  
(45) **Date of Patent:** **\*\* Jul. 19, 2016**

(54) **HAIR IRON**  
(71) Applicant: **UNIL ELECTRONICS CORP.**, Seoul (KR)  
(72) Inventor: **Ok-Nam Cho**, Seoul (KR)  
(\*\*) Term: **15 Years**  
(21) Appl. No.: **29/528,520**  
(22) Filed: **May 29, 2015**

5,564,445 A \* 10/1996 Query ..... A45D 2/00  
132/212  
5,899,213 A \* 5/1999 Kimata ..... A45D 1/04  
132/225  
D441,138 S \* 4/2001 Micinilio ..... D28/37  
6,408,858 B1 \* 6/2002 Emmons ..... A45D 4/08  
132/245  
8,783,269 B1 \* 7/2014 Deer ..... A45D 2/40  
132/212  
2011/0061672 A1 \* 3/2011 Schmider ..... A45D 1/12  
132/226  
2014/0034079 A1 \* 2/2014 McCauley ..... A45D 1/04  
132/229

(30) **Foreign Application Priority Data**  
Feb. 27, 2015 (KR) ..... 30-2015-0010195  
(51) **LOC (10) CL.** ..... **28-03**  
(52) **U.S. Cl.**  
USPC ..... **D28/35**  
(58) **Field of Classification Search**  
USPC ..... D28/35, 37-38  
CPC ..... A45D 1/00-1/28; A45D 2/00-2/001;  
A45D 2002/006; A45D 2002/007; A45D  
2/12-2/125; A45D 2/04; A45D 2/06; A45D  
2/38; A45D 2/40; A45D 4/00-4/18; A45D  
6/00-6/20; A45D 20/48-20/525  
See application file for complete search history.

**FOREIGN PATENT DOCUMENTS**

DE 102012200963 A1 \* 7/2013 ..... A45D 1/04  
JP 4279464 B2 \* 6/2009 ..... A45D 1/12

\* cited by examiner

*Primary Examiner* — Jennifer Rivard  
(74) *Attorney, Agent, or Firm* — Weiss & Moy, P.C.; Jeffrey D. Moy

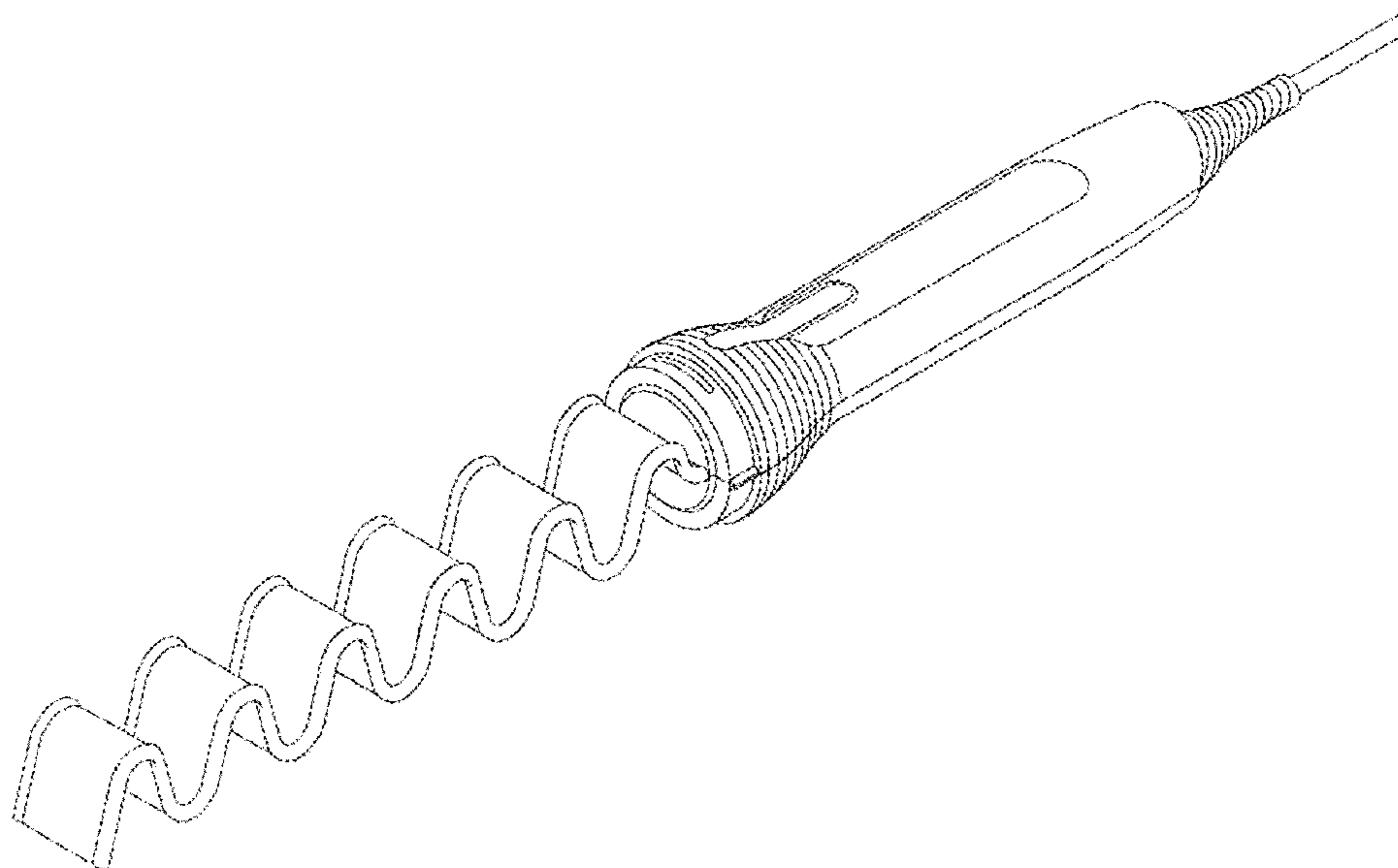
(57) **CLAIM**  
The ornamental design for a hair iron, as shown and described.

**DESCRIPTION**

FIG. 1 is a perspective view of a hair iron;  
FIG. 2 is a front view of the hair iron;  
FIG. 3 is a rear view of the hair iron;  
FIG. 4 is a left-side view of the hair iron;  
FIG. 5 is a right-side view of the hair iron;  
FIG. 6 is a top plan view of the hair iron;  
FIG. 7 is a bottom plan view of the hair iron; and,  
FIG. 8 is an enlarged cross-sectional taken along lines 2-2 in FIG. 2.

**1 Claim, 5 Drawing Sheets**

(56) **References Cited**  
**U.S. PATENT DOCUMENTS**  
1,709,981 A \* 4/1929 Headington ..... A45D 1/04  
132/225  
3,680,565 A \* 8/1972 Giles ..... A45D 2/38  
132/224  
D253,973 S \* 1/1980 Rosse ..... D28/35  
4,739,151 A \* 4/1988 Smal ..... A45D 1/04  
132/118  
4,739,776 A \* 4/1988 Prijic ..... A45D 2/38  
132/212



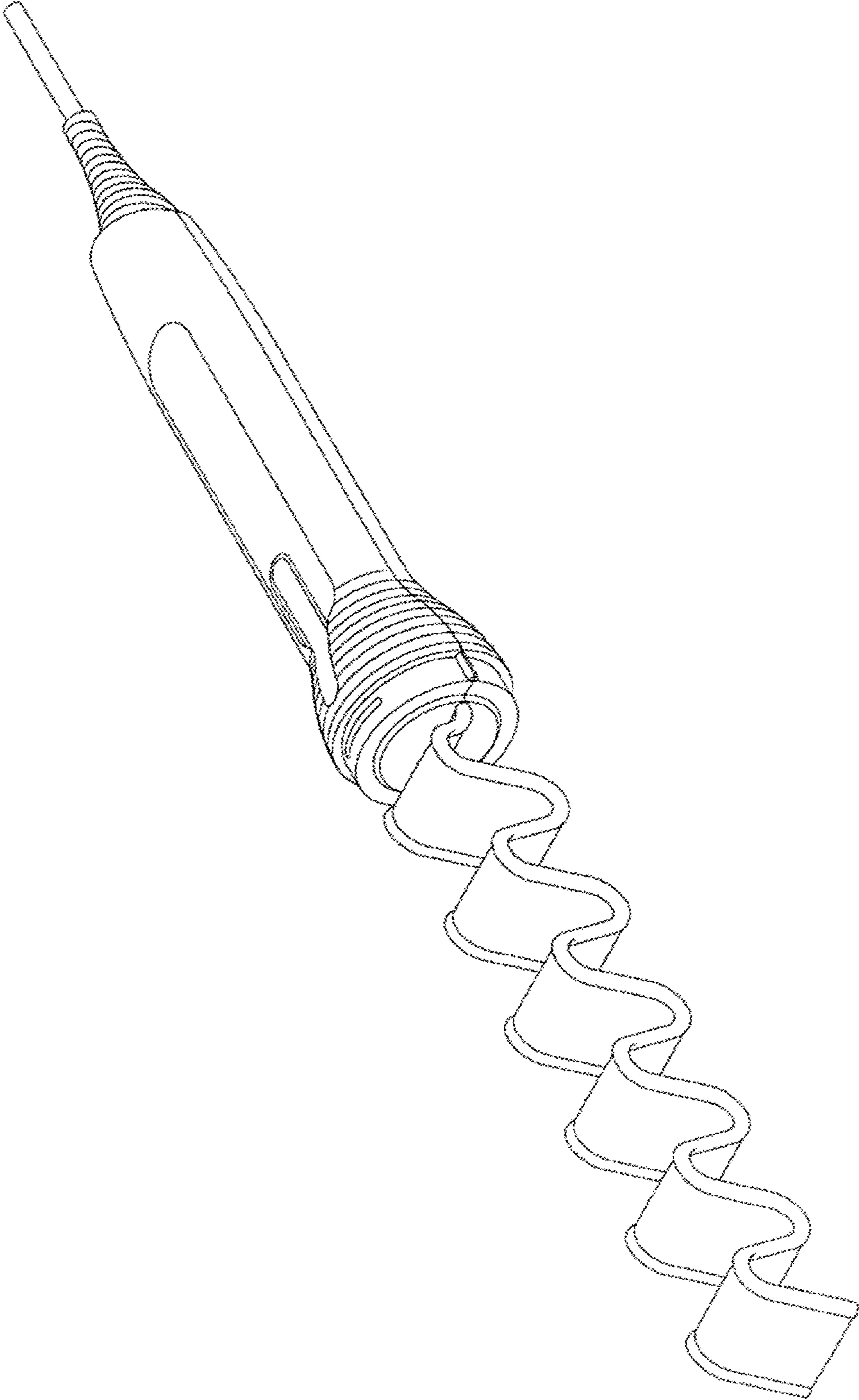


FIG. 1

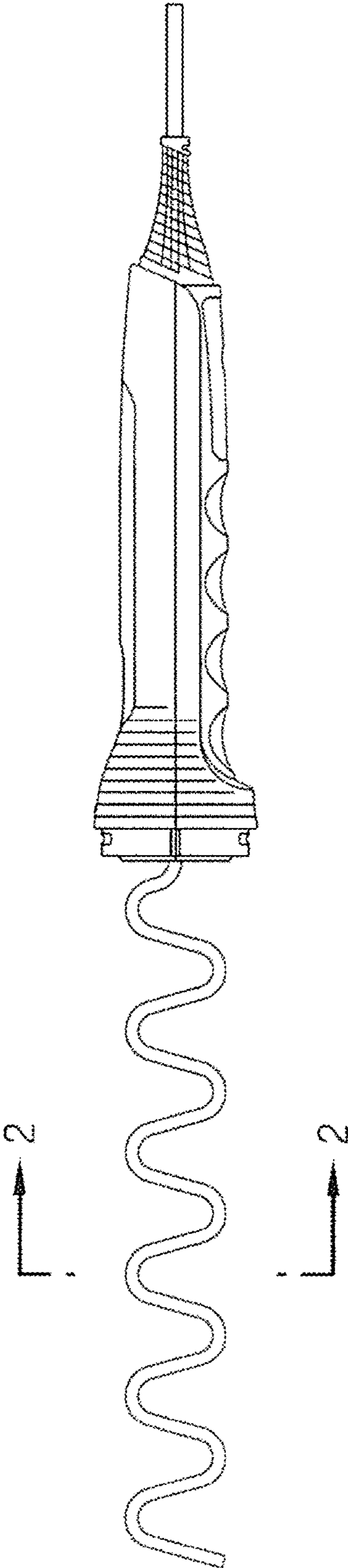


FIG. 2

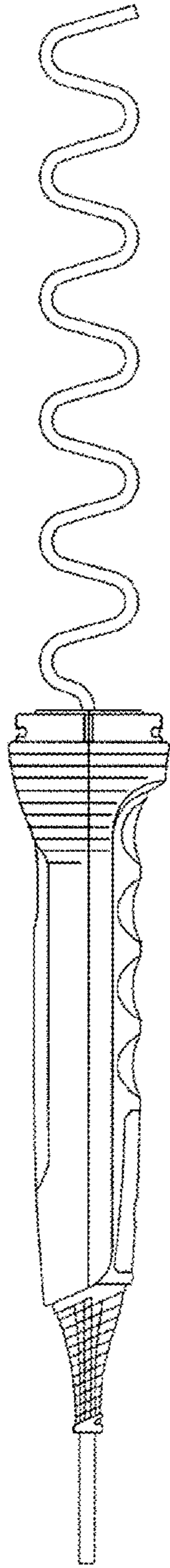


FIG. 3

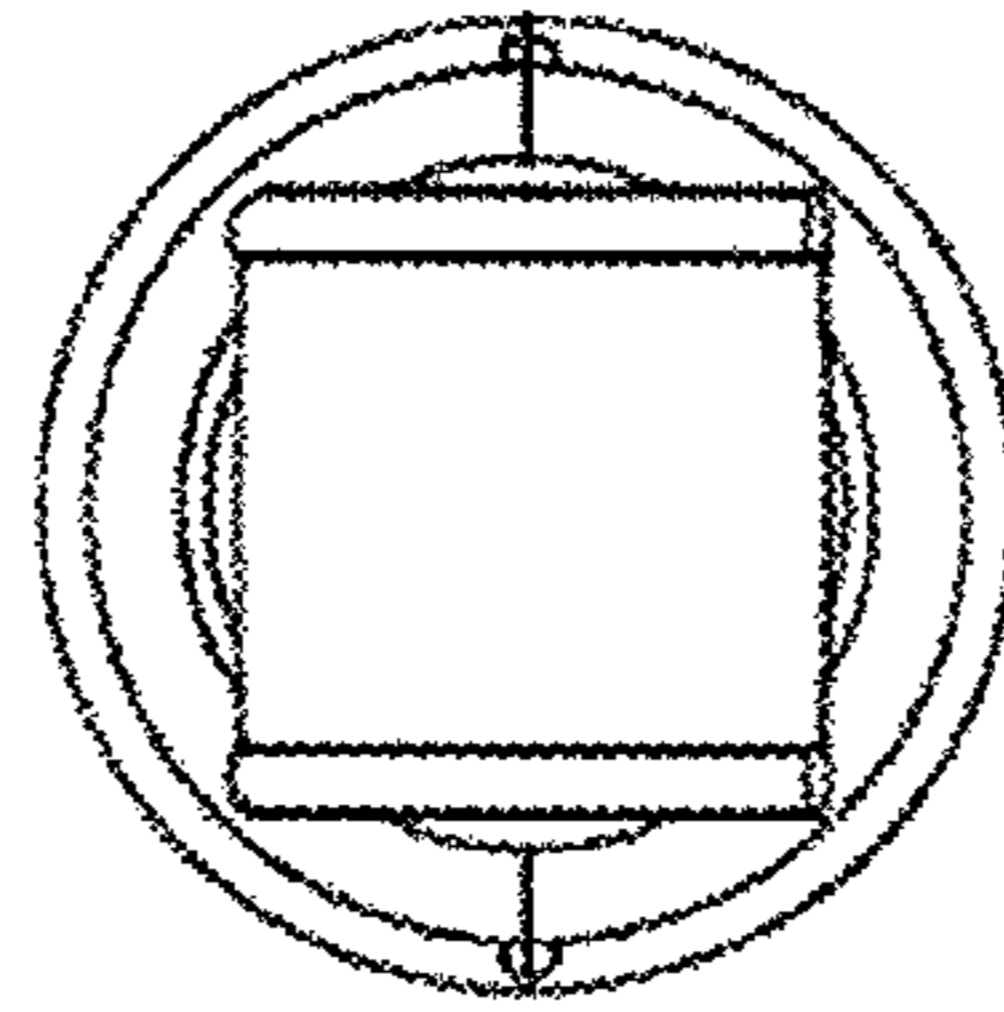


FIG. 4

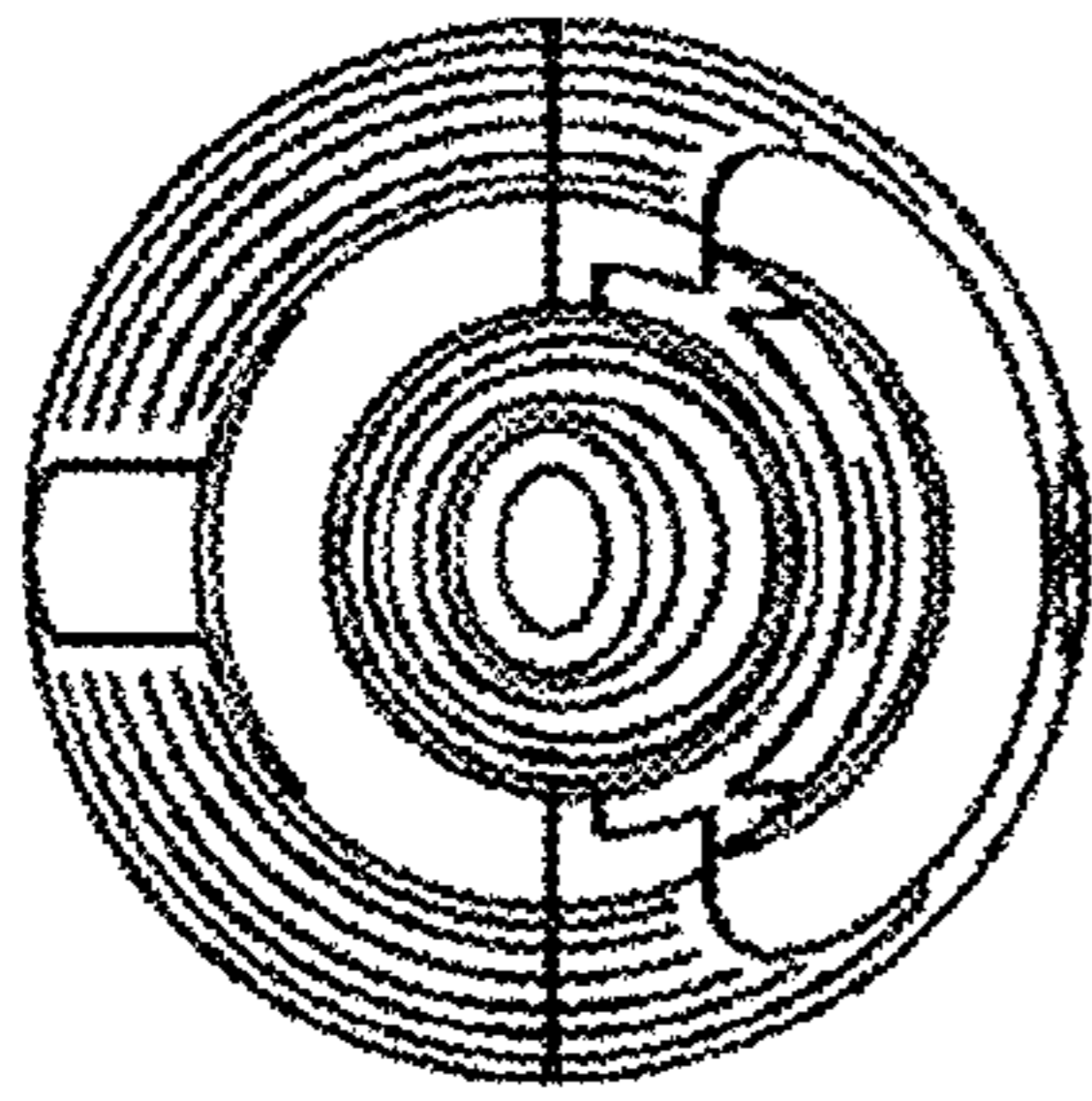


FIG. 5

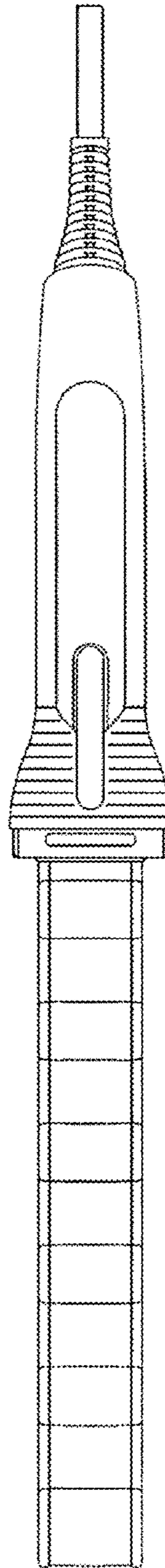


FIG. 6

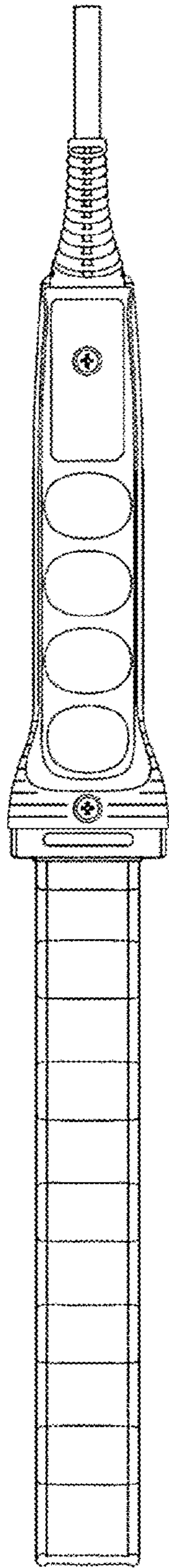


FIG. 7

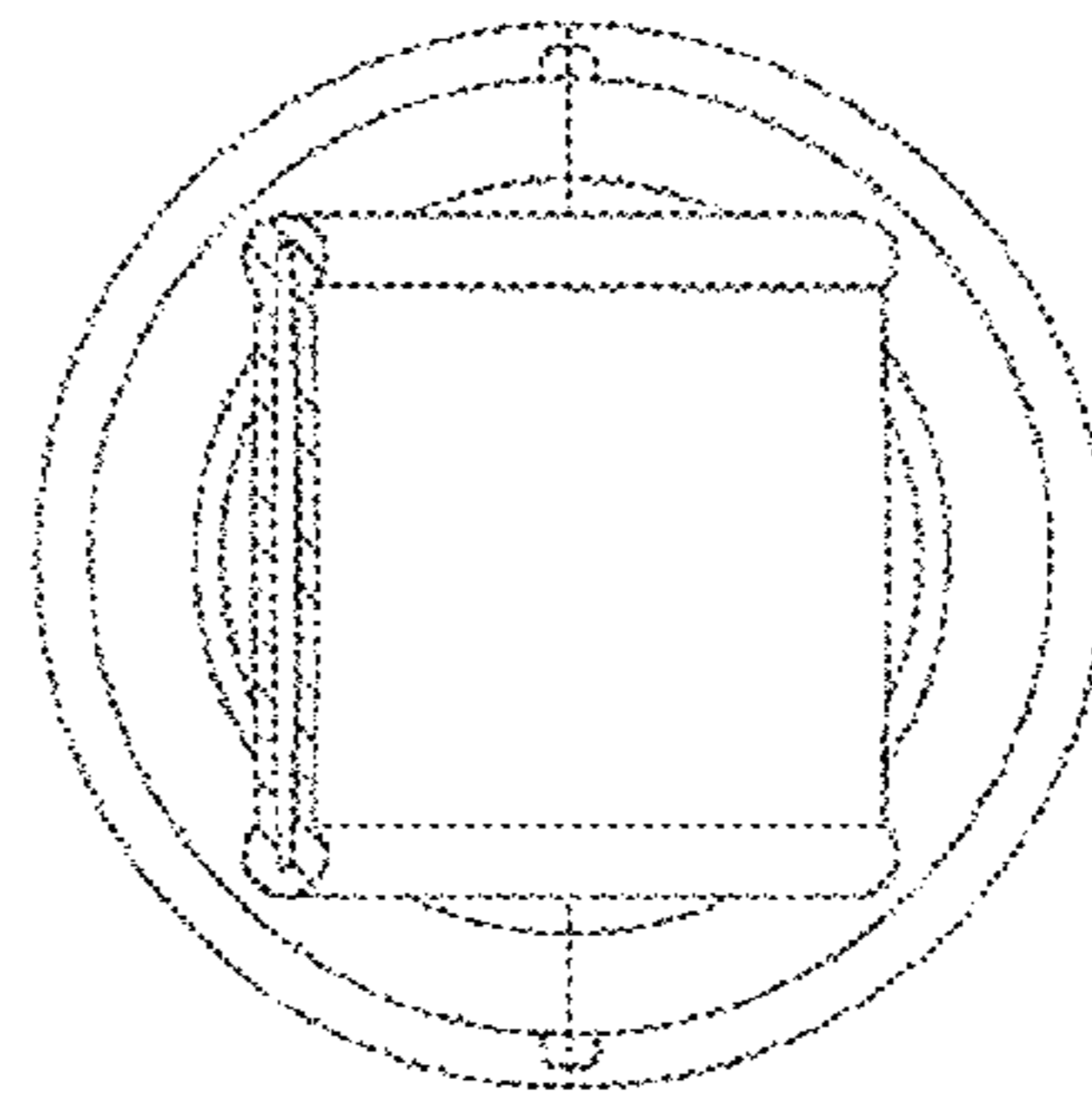


FIG. 8