



US00D762004S

(12) **United States Design Patent**
Kesselman

(10) **Patent No.:** **US D762,004 S**
(45) **Date of Patent:** **** Jul. 19, 2016**

- (54) **MULTI-PRONG SMOKING DEVICE**
- (71) Applicant: **BBK TOBACCO & FOODS, LLP**,
Phoenix, AZ (US)
- (72) Inventor: **Joshua David Kesselman**, Vancouver
(CA)
- (73) Assignee: **BBK TOBACCO & FOODS, LLP**,
Phoenix, AZ (US)
- (**) Term: **14 Years**
- (21) Appl. No.: **29/521,544**
- (22) Filed: **Mar. 24, 2015**
- (51) **LOC (10) Cl.** **27-02**
- (52) **U.S. Cl.**
USPC **D27/170; D27/169**
- (58) **Field of Classification Search**
USPC D27/166, 169-172, 183, 193
CPC A24F 7/00; A24F 7/02; A24F 7/04;
A24F 13/02; A24F 1/30; A24F 13/08
See application file for complete search history.

- 3,863,647 A * 2/1975 Unger A24F 7/00
131/179
- D250,486 S * 12/1978 McCorkle D27/166
- D264,883 S * 6/1982 Irelan D27/166
- D264,884 S * 6/1982 Irelan D27/166
- 4,480,645 A * 11/1984 Albury A24F 13/02
131/187

* cited by examiner

Primary Examiner — Susan Bennett Hattan

Assistant Examiner — Janice Hallmark

(74) *Attorney, Agent, or Firm* — Weiss & Moy, P.C.; Jeffrey D. Moy

(57) **CLAIM**

The multi-prong smoking device, as shown and described.

DESCRIPTION

FIG. 1 is a perspective view of the multi-prong smoking device;

FIG. 2 is a top view of the multi-prong smoking device;

FIG. 3 is a bottom view of the multi-prong smoking device;

FIG. 4 is a first side view of the multi-prong smoking device;

FIG. 5 is a second side view of the multi-prong smoking device;

FIG. 6 is a front view of the multi-prong smoking device; and,

FIG. 7 is a rear view of the multi-prong smoking device.

The multi-prong smoking device may be used for smoking multiple items at one time.

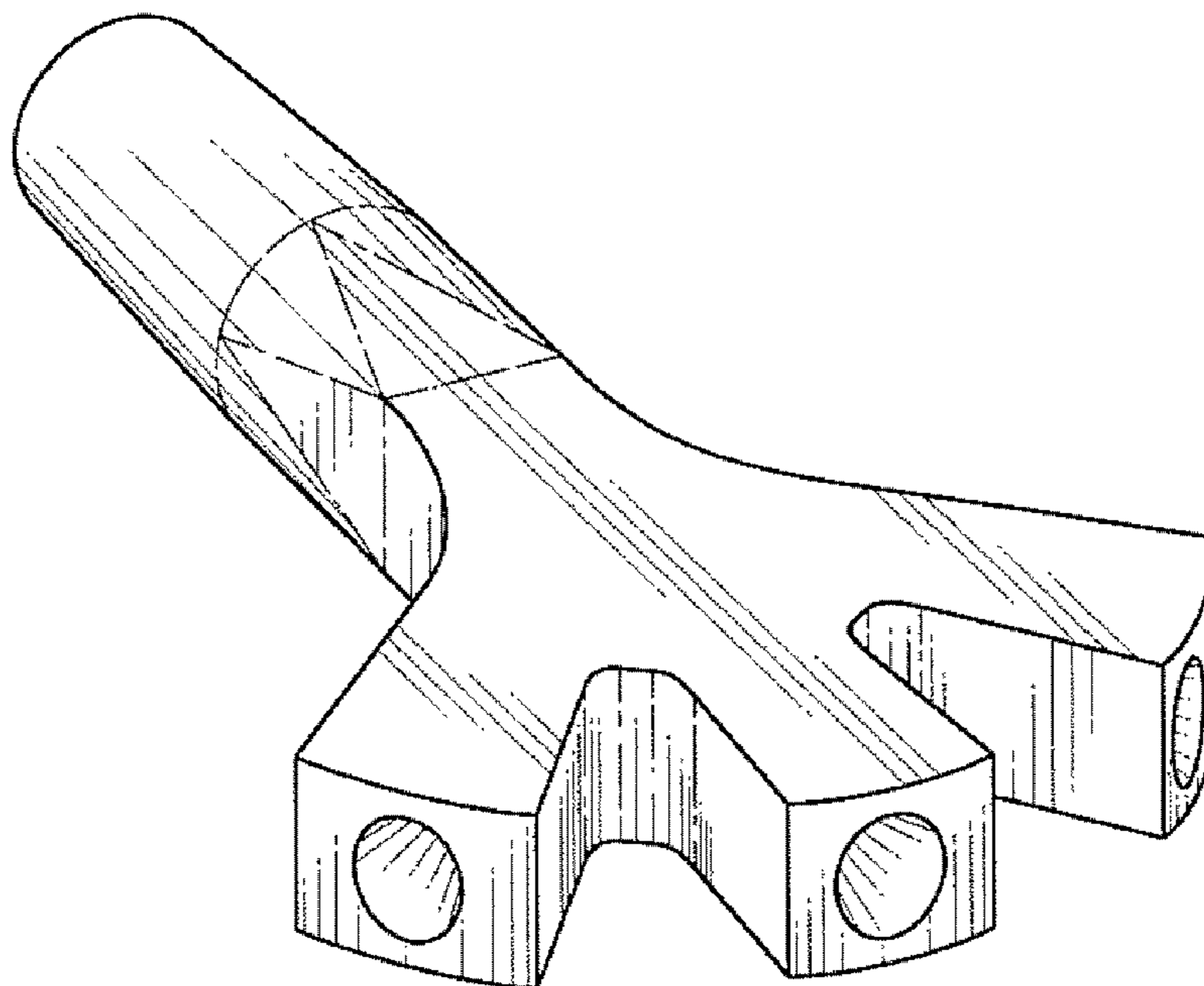
The broken lines in the drawings depict parts of the multi-prong smoking device that form no part of the claimed design.

1 Claim, 3 Drawing Sheets

(56) **References Cited**

U.S. PATENT DOCUMENTS

- D39,852 S * 3/1909 Zeltmacher D27/166
- 2,224,660 A * 12/1940 Stubbs A24F 13/02
131/186
- D129,757 S * 9/1941 Flaxbaum 131/179
- D129,966 S * 10/1941 Kolar 131/179
- D179,489 S * 1/1957 Mucho 131/187



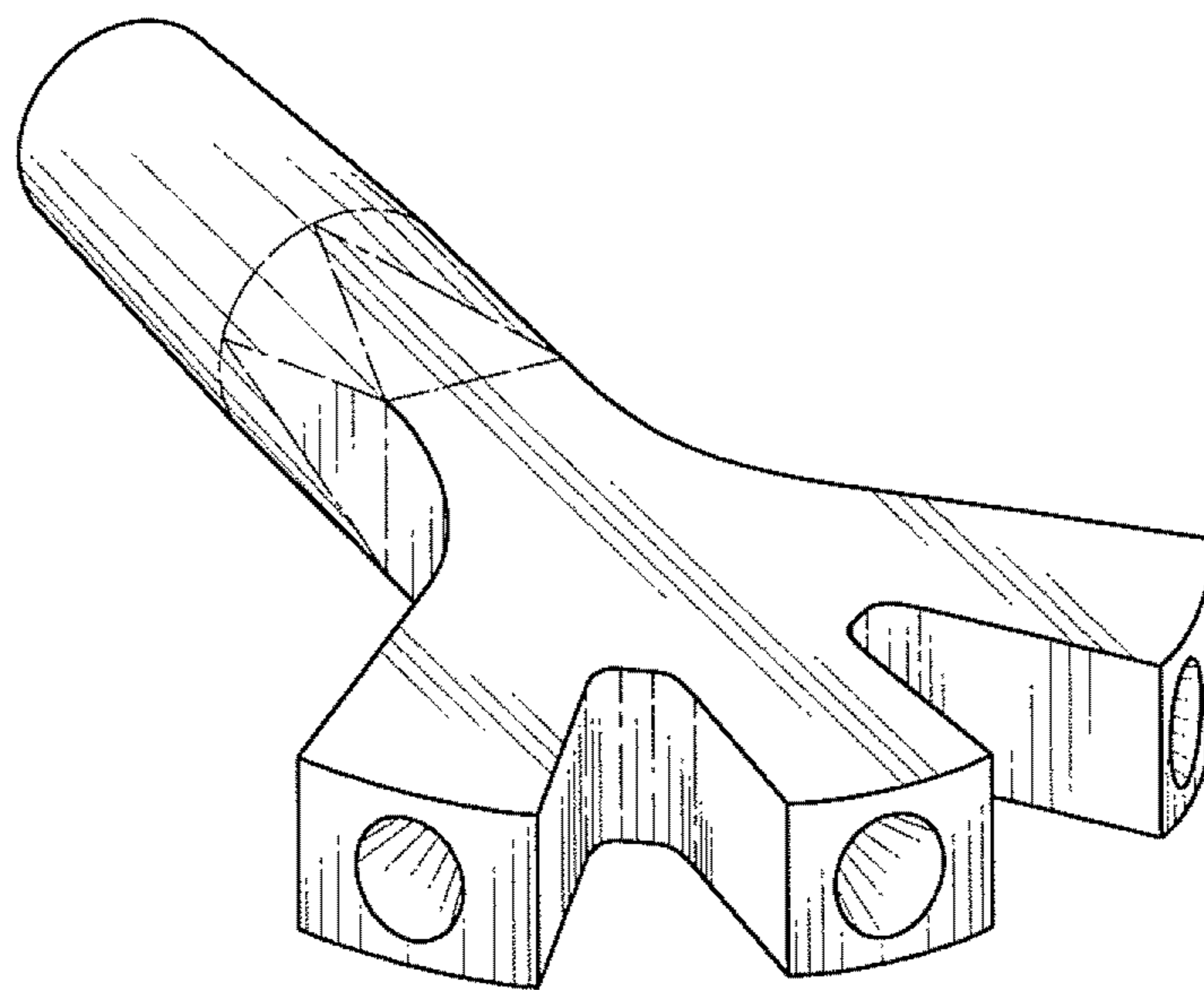


FIG. 1

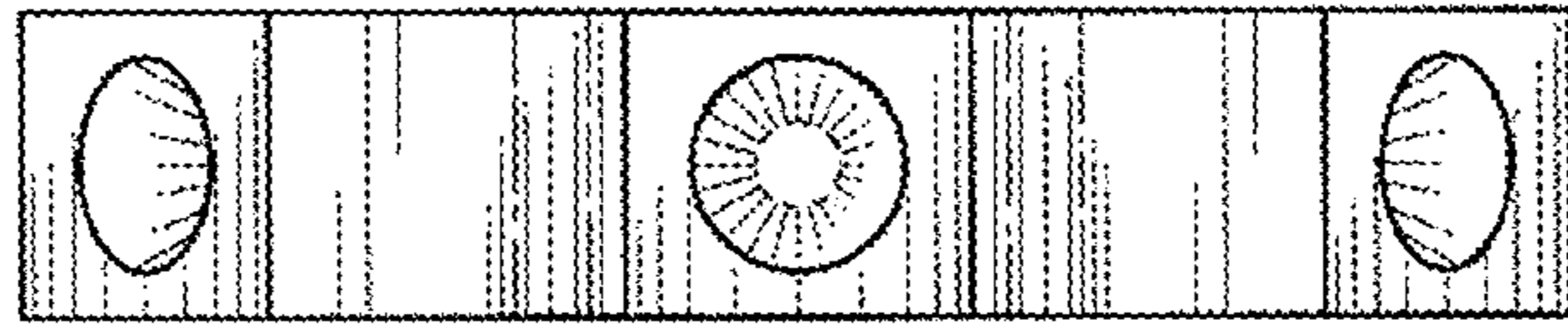


FIG. 2

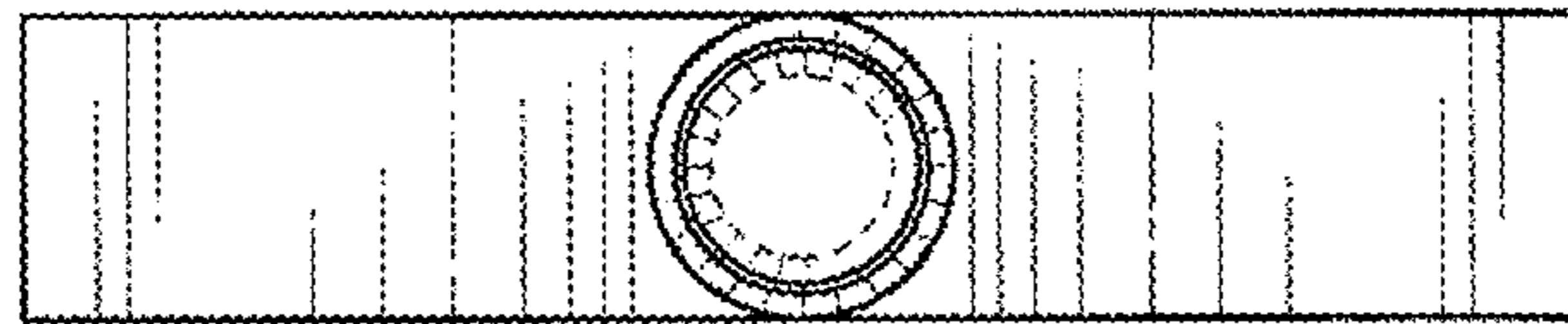


FIG. 3

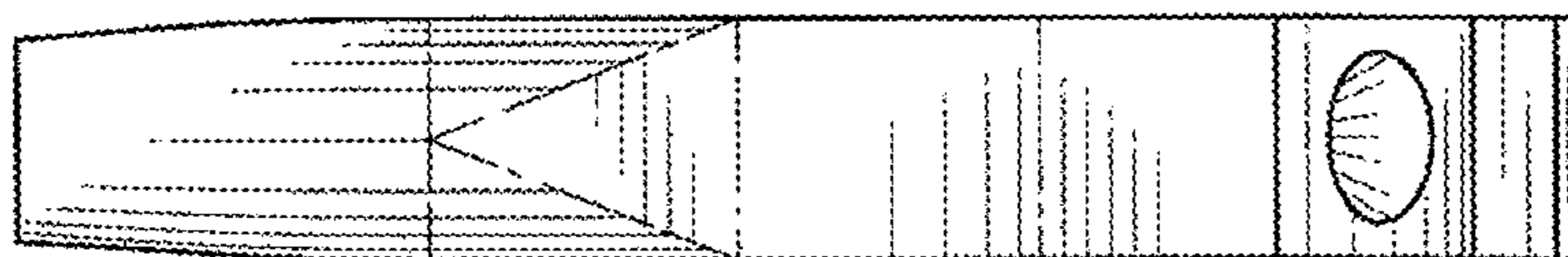


FIG. 4

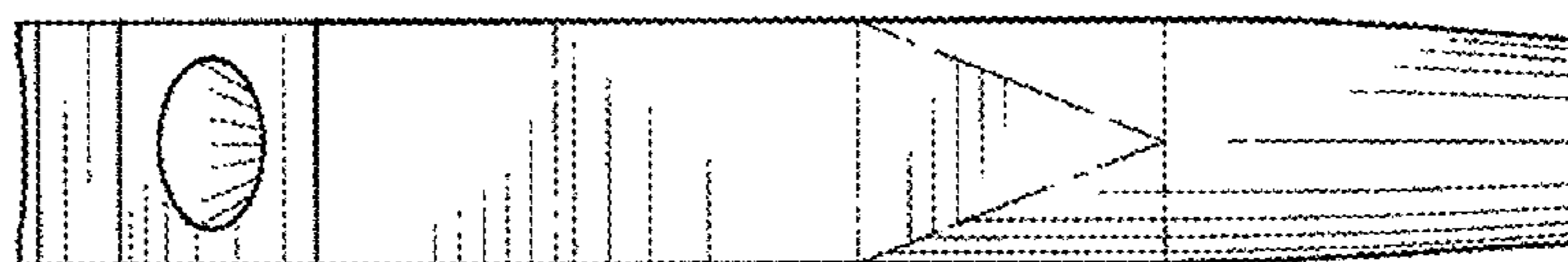


FIG. 5

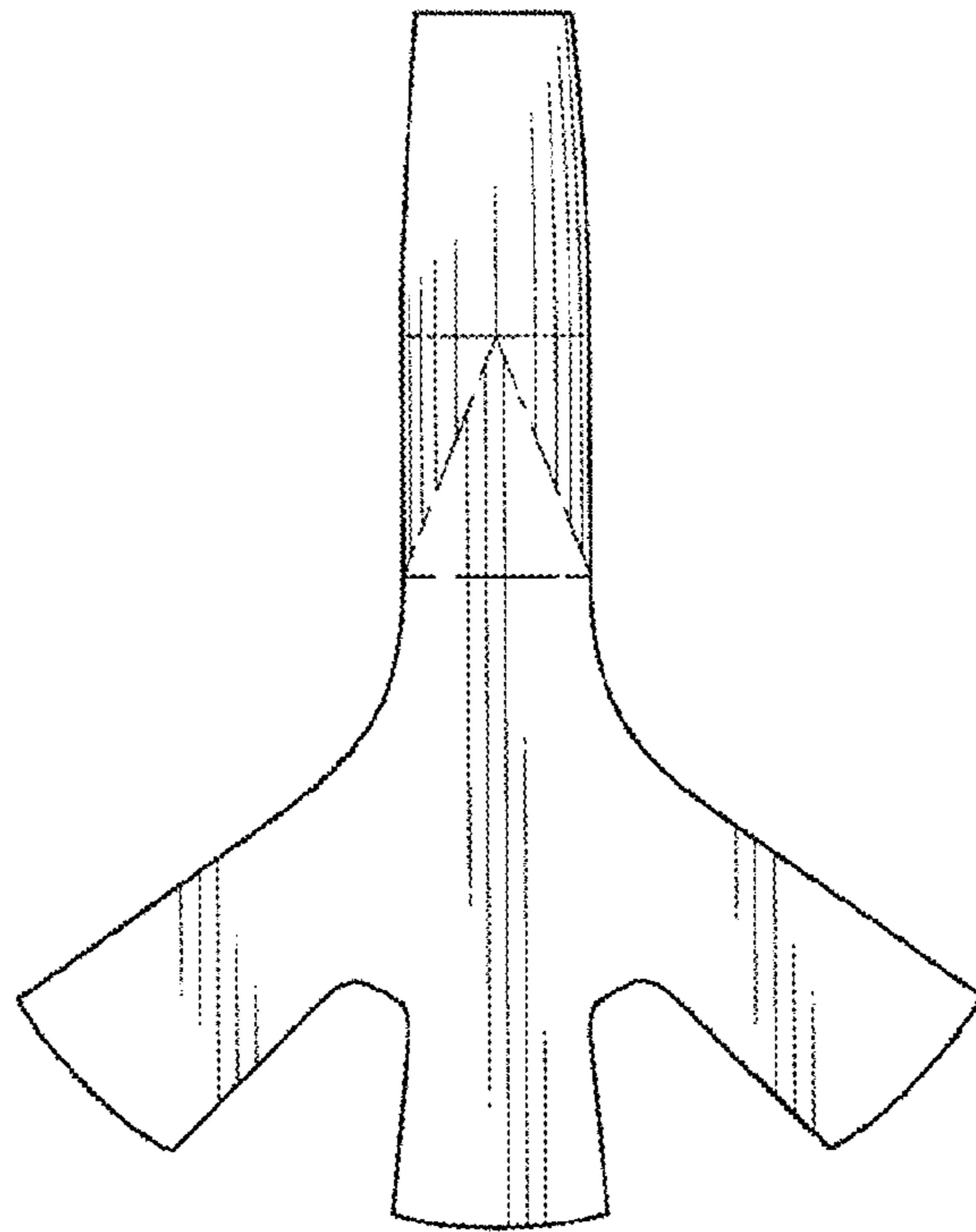


FIG. 6

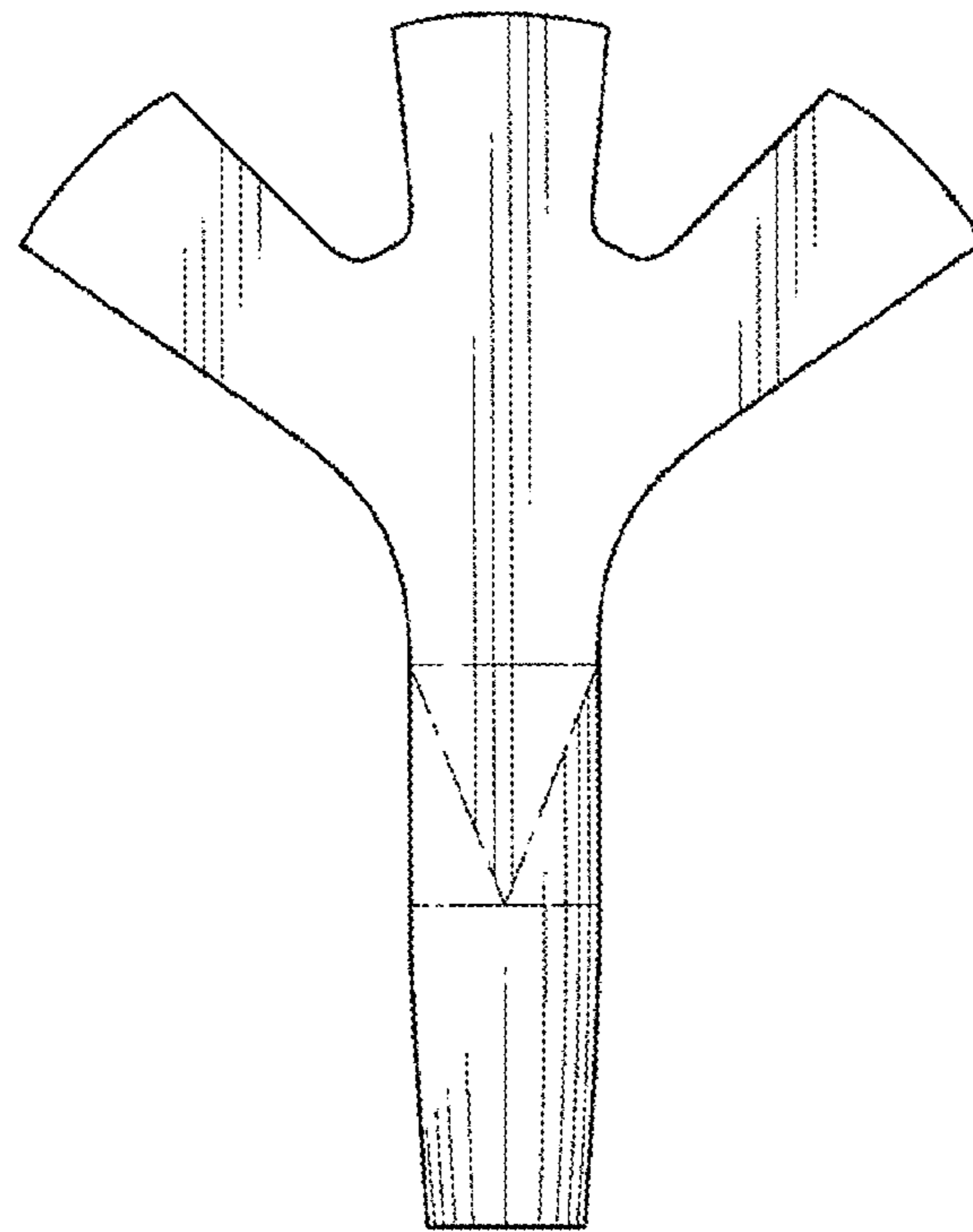


FIG. 7