



US00D762001S

(12) **United States Design Patent**
Liu

(10) **Patent No.:** **US D762,001 S**
(45) **Date of Patent:** **** Jul. 19, 2016**

(54) **ELECTRONIC CIGARETTE**

(71) Applicant: **Huizhou Kimree Technology Co., Ltd.**,
Huizhou (CN)

(72) Inventor: **Qiuming Liu**, Guangdong (CN)

(73) Assignee: **HUIZHOU KIMREE
TECHNOLOGY CO., LTD**, Huizhou
(CN)

(**) Term: **14 Years**

(21) Appl. No.: **29/518,555**

(22) Filed: **Feb. 25, 2015**

(30) **Foreign Application Priority Data**

Dec. 26, 2014 (CN) 2014 3 0554976

(51) **LOC (10) Cl.** **27-01**

(52) **U.S. Cl.**
USPC **D27/101**

(58) **Field of Classification Search**
USPC D27/100, 101, 106, 118, 162, 163, 165,
D27/177, 183-194; 131/179, 191, 211, 222,
131/260, 270, 271, 273, 329, 330
CPC A24F 1/26; A24F 1/28; A24F 1/30;
A24F 3/00; A24F 7/00; A24F 47/00; A24F
47/002; A24F 47/008
See application file for complete search history.

(56) **References Cited**

U.S. PATENT DOCUMENTS

D341,225 S * 11/1993 Lang D28/76
D442,329 S * 5/2001 Najjar D26/38

(Continued)

OTHER PUBLICATIONS

YouTube.com: Kimree Vapor Queen, The World's Smallest Refill-
able Electronic Cigarette, Smallest Vaporizer. Retrieved from
Internet at <<https://www.youtube.com/watch?v=zZWCyNyxzBc>>,
Dec. 4, 2015. 1 page.*

Primary Examiner — Rosemary K Tarcza

Assistant Examiner — Christy Nemeth

(74) *Attorney, Agent, or Firm* — Tim Tingkang Xia, Esq.;
Locke Lord LLP

(57) **CLAIM**

The ornamental design for an electronic cigarette, as shown
and described.

DESCRIPTION

FIG. 1 is a front elevation view of a first embodiment of an
electronic cigarette;

FIG. 2 is a rear elevation view of the first embodiment thereof;
FIG. 3 is a left side elevation view of the first embodiment
thereof;

FIG. 4 is a right side elevation view of the first embodiment
thereof;

FIG. 5 is a top plan view of the first embodiment thereof;

FIG. 6 is a bottom plan view of the first embodiment thereof;
FIG. 7 is a first perspective view of the first embodiment
thereof;

FIG. 8 is a second perspective view of the first embodiment
thereof;

FIG. 9 is a front elevation view of a second embodiment
thereof;

FIG. 10 is a rear elevation view of the second embodiment
thereof;

FIG. 11 is a left side elevation view of the second embodiment
thereof;

FIG. 12 is a right side elevation view of the second embodi-
ment thereof;

FIG. 13 is a top plan view of the second embodiment thereof;
FIG. 14 is a bottom plan view of the second embodiment
thereof;

FIG. 15 is a first perspective view of the second embodiment
thereof;

FIG. 16 is a second perspective view of the second embodi-
ment thereof;

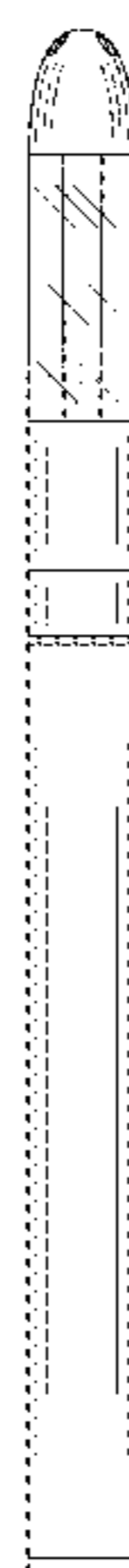
FIG. 17 is an enlarged view of the fragment shown in element
17 of FIG. 2;

FIG. 18 is an enlarged view of the fragment shown in element
18 of FIG. 7;

FIG. 19 is an enlarged top view; and,

FIG. 20 is an enlarged bottom view.

1 Claim, 16 Drawing Sheets



(56)

References Cited

U.S. PATENT DOCUMENTS

D688,415 S *	8/2013	Kim	D27/101	D729,441 S *	5/2015	Hua	D27/101
D724,668 S *	3/2015	Bo	D19/170	D739,979 S *	9/2015	Smith	D27/163
D724,779 S *	3/2015	Liu	D27/101	2014/0123989 A1 *	5/2014	LaMothe	A24F 47/008 131/328
D724,782 S *	3/2015	Wu	D27/101	2015/0282530 A1 *	10/2015	Johnson	A24F 47/008 392/387
D725,822 S *	3/2015	Liu	D27/101	2015/0335073 A1 *	11/2015	Li	A24F 47/008 131/329
D728,155 S *	4/2015	Liu	D27/101					

* cited by examiner

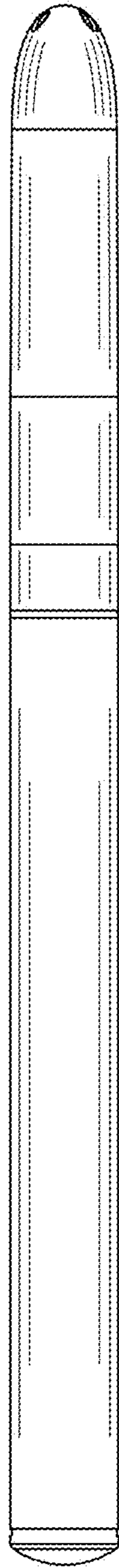


Fig.1

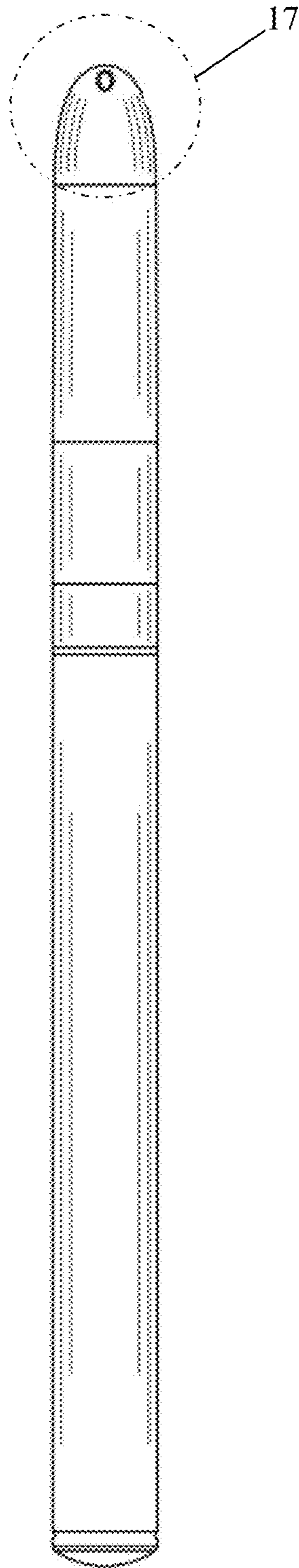


Fig. 2

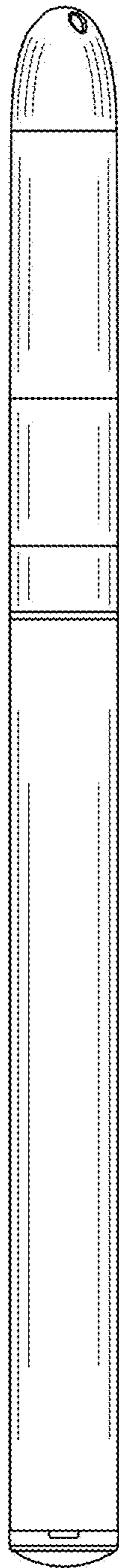


Fig.3

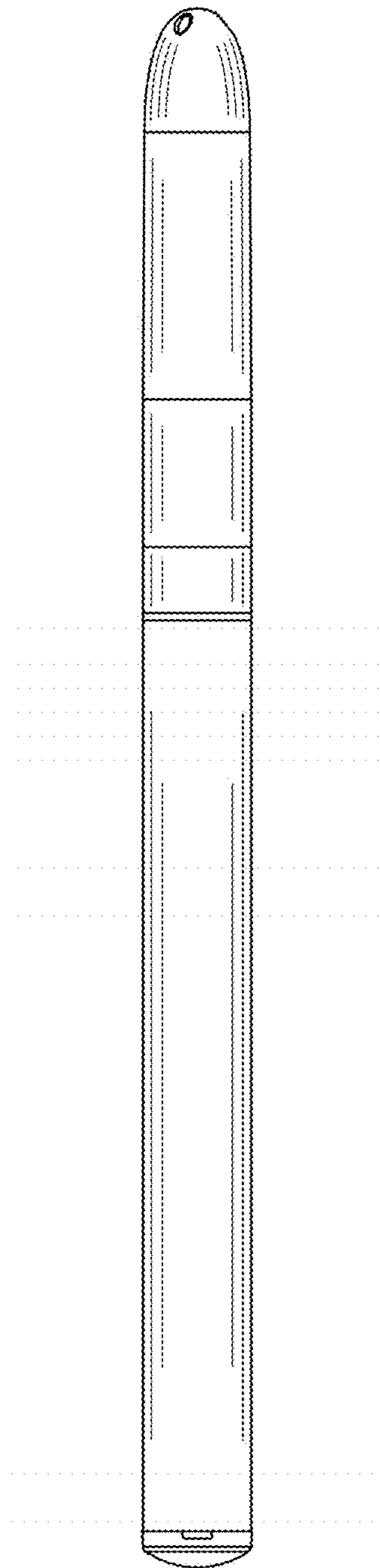


Fig.4

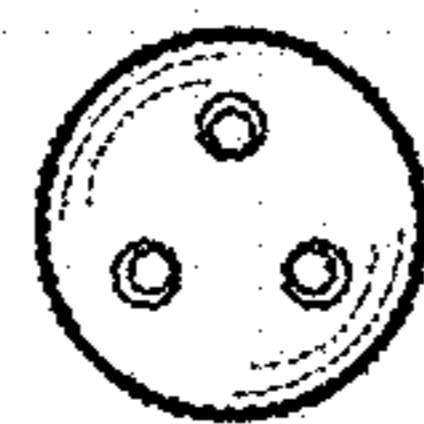


Fig.5



Fig. 6

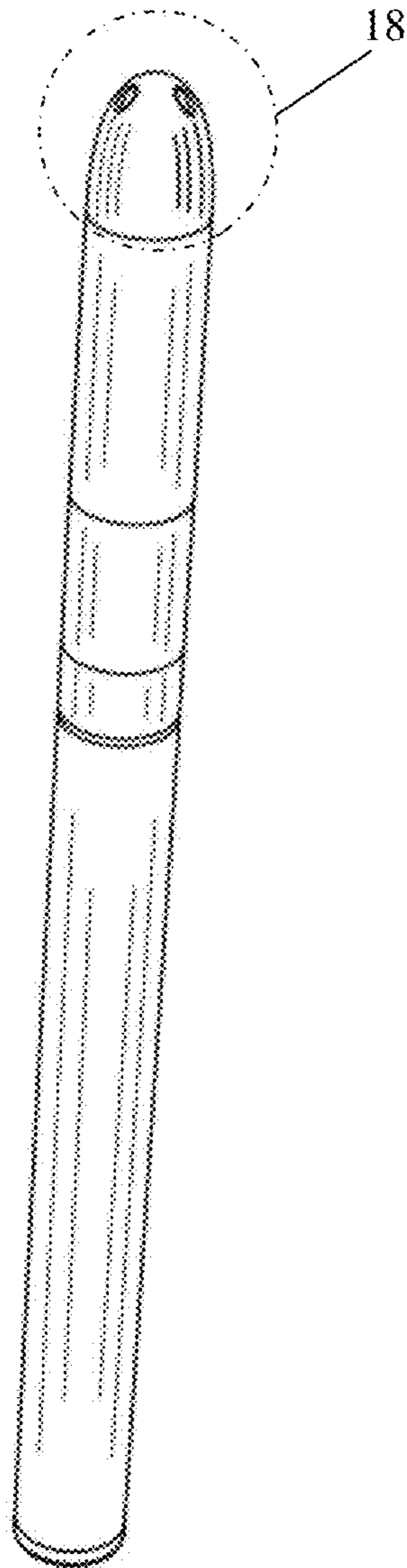


Fig. 7

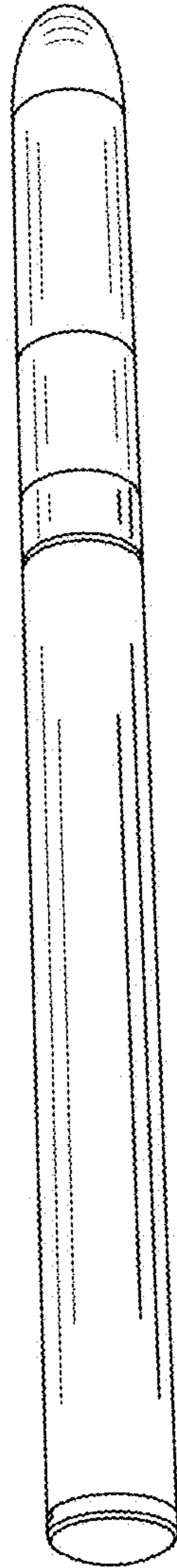


Fig.8

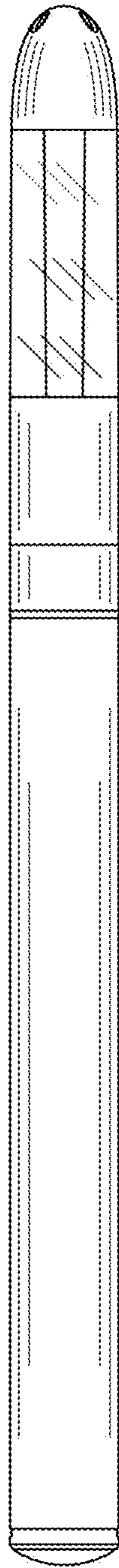


Fig.9

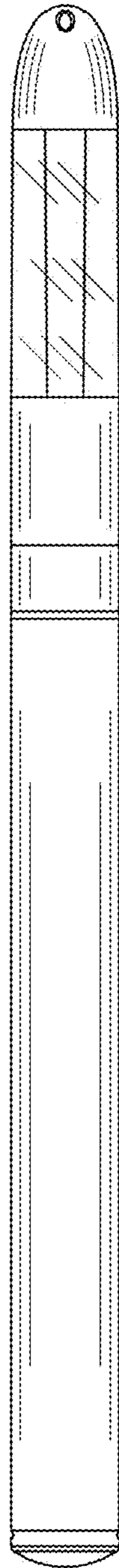


Fig.10

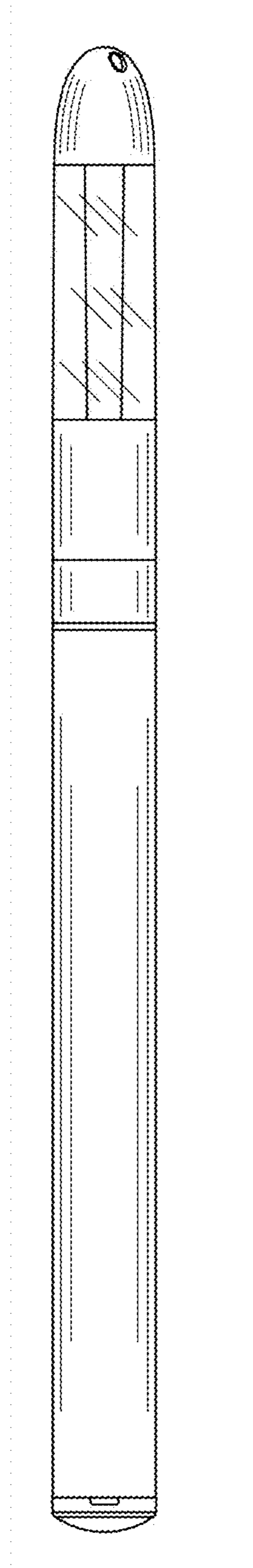


Fig.11

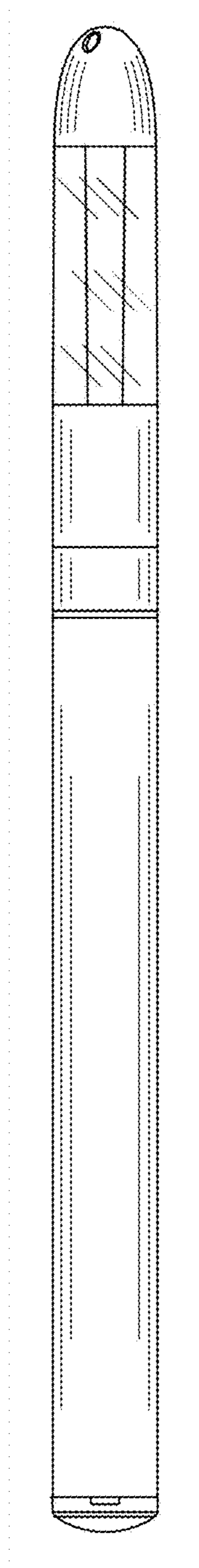


Fig. 12

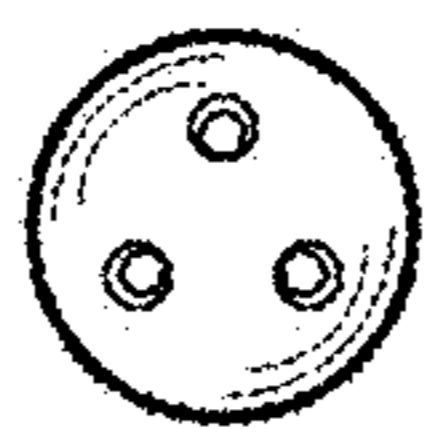


Fig. 13



Fig. 14

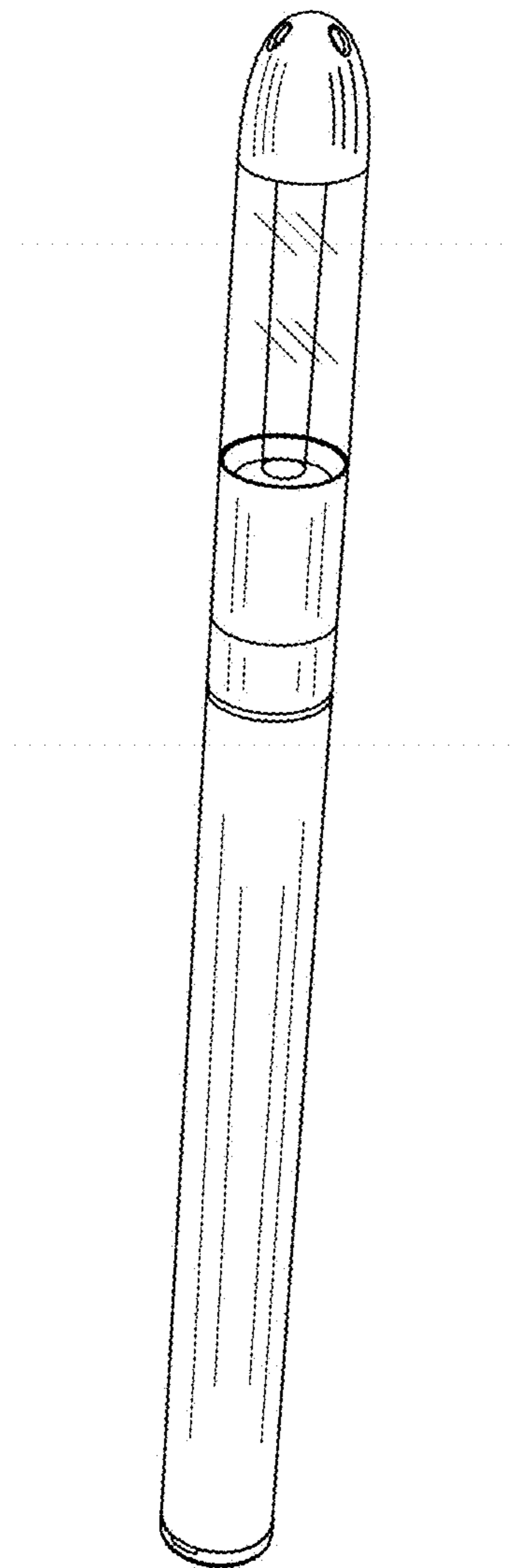


Fig. 15

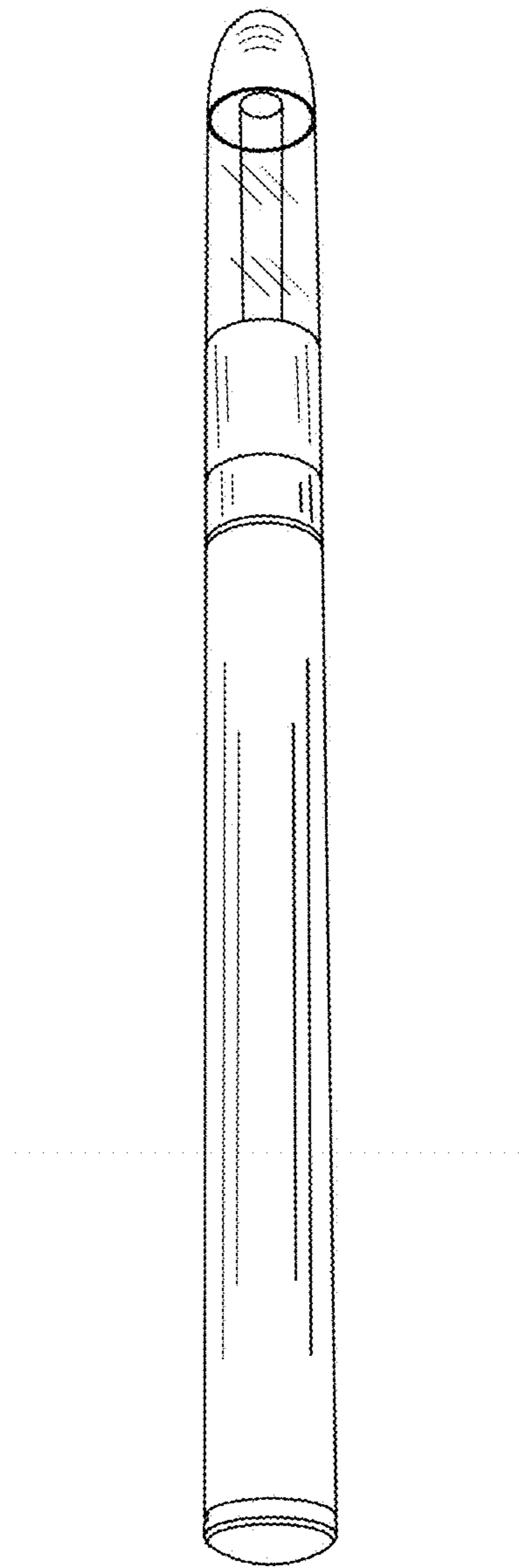


Fig.16

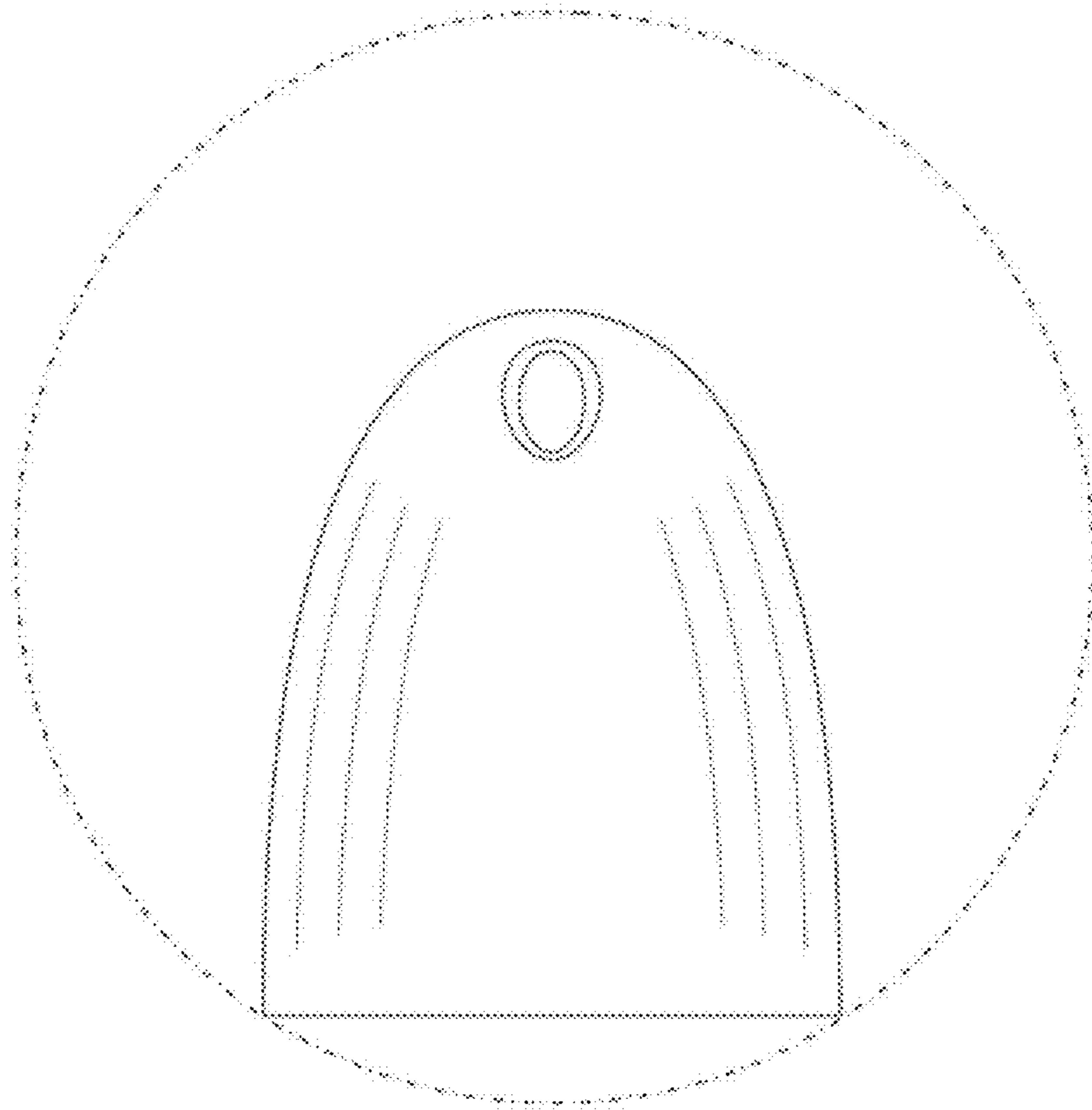


Fig. 17

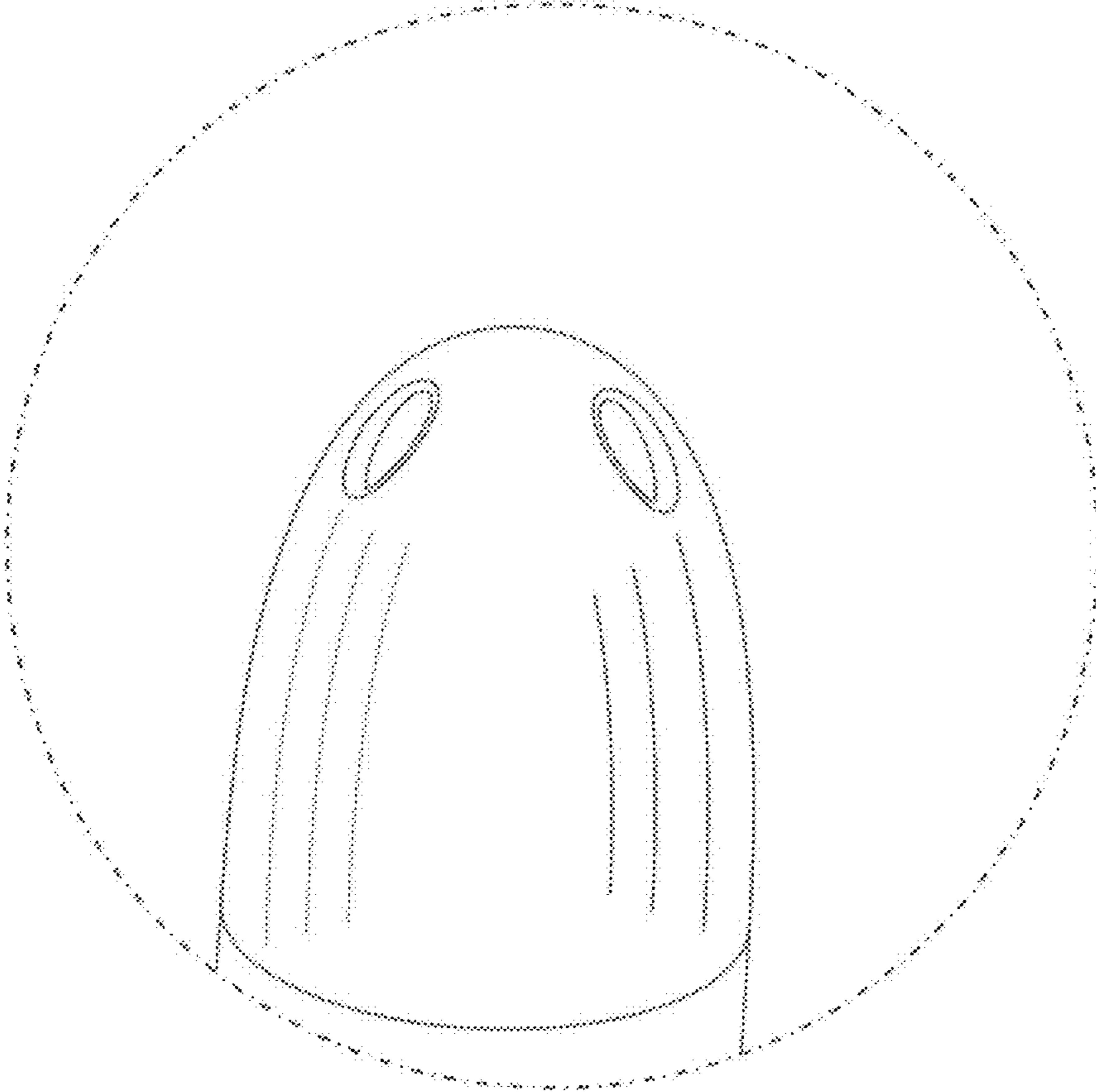


Fig. 18

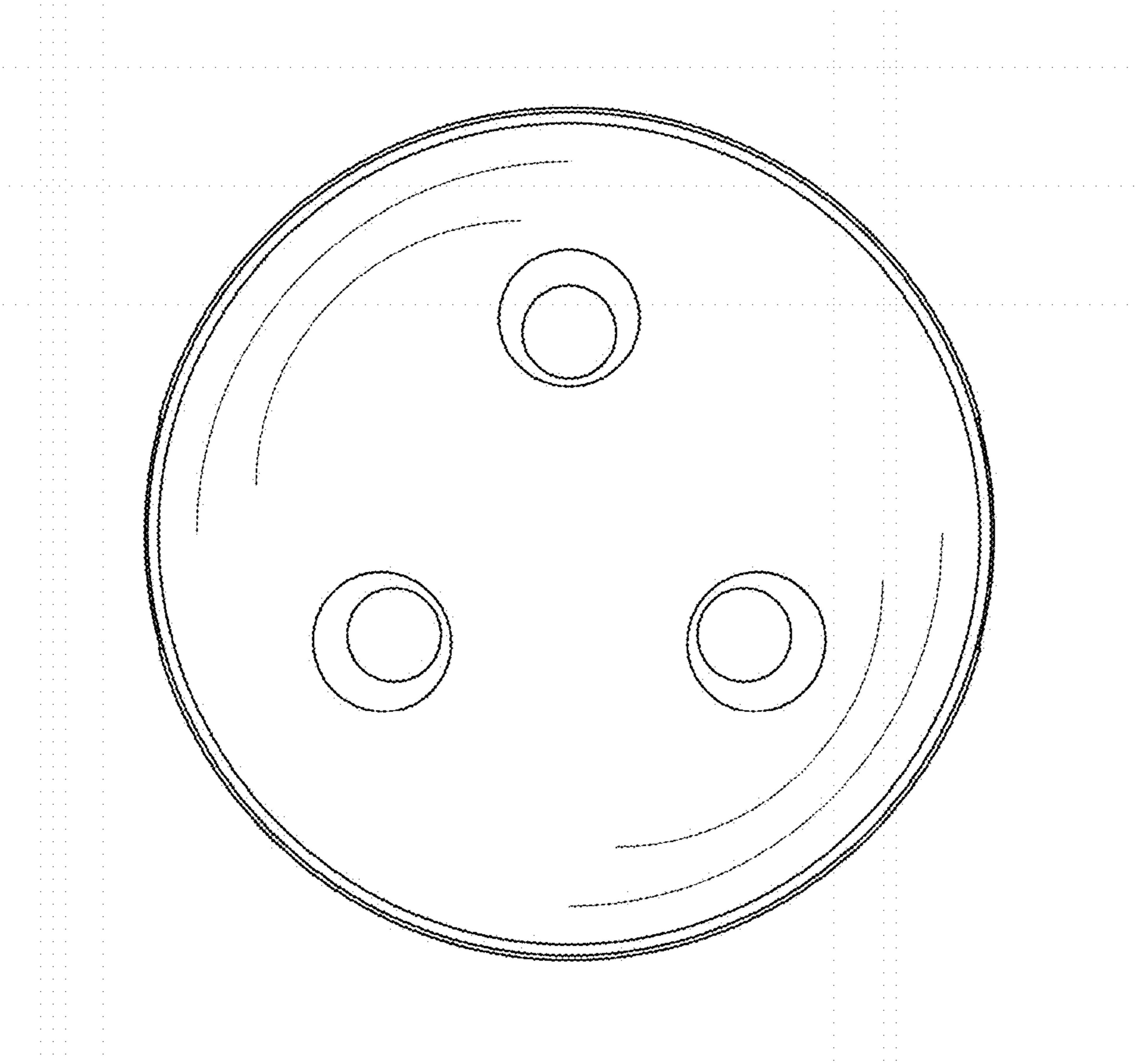


Fig.19

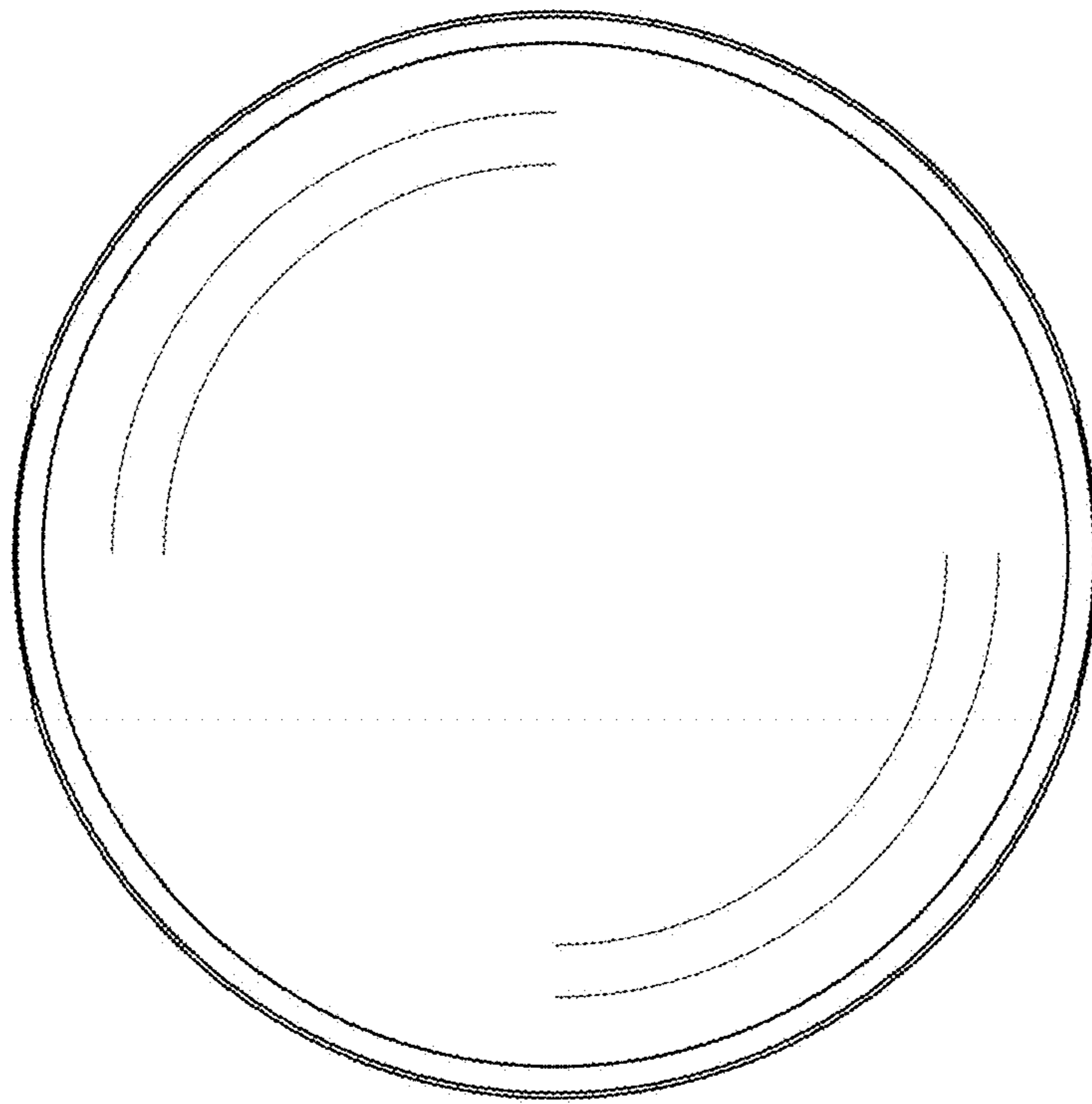


Fig.20