

US00D761999S

(12) **United States Design Patent**
Liu

(10) **Patent No.:** **US D761,999 S**
(45) **Date of Patent:** **** Jul. 19, 2016**

(54) **ELECTRONIC CIGARETTE**

(71) Applicant: **Qiuming Liu**, Guangdong (CN)

(72) Inventor: **Qiuming Liu**, Guangdong (CN)

(73) Assignee: **HUIZHOU KIMREE TECHNOLOGY CO., LTD. SHENZHEN BRANCH**, Shenzhen (CN)

(**) Term: **14 Years**

(21) Appl. No.: **29/500,422**

(22) Filed: **Aug. 25, 2014**

(30) **Foreign Application Priority Data**

Feb. 27, 2014 (CN) 2014 3 0036362

(51) **LOC (10) Cl.** **27-01**

(52) **U.S. Cl.**
USPC **D27/101**

(58) **Field of Classification Search**
USPC D27/100, 101, 162, 163, 165, 166, 167, D27/193, 194; D9/432, 451, 452, 502, 537, D9/556, 565, 643, 648, 661, 662; D24/110, 215; D7/550.1, 552.2, 553.6; 131/179, 194, 222, 260, 270, 271, 273, 131/329, 330, 358, 367; 142/1
CPC A24F 1/26; A24F 1/30; A24F 3/00; A24F 7/00; A24F 15/00; A24F 23/00; A24F 23/02; A24F 47/00; A24F 47/002; A24F 47/008
See application file for complete search history.

D729,366 S * 5/2015 Kauss D23/360
D743,099 S * 11/2015 Oglesby D27/101
2008/0121244 A1 * 5/2008 Bryman A24F 3/00
131/328
2009/0283103 A1 * 11/2009 Nielsen A24F 1/30
131/273
2010/0313901 A1 * 12/2010 Fernando A24F 47/008
131/330
2011/0162663 A1 * 7/2011 Bryman A24F 3/00
131/226
2012/0255546 A1 * 10/2012 Goetz A61M 11/041
128/202.21
2015/0136124 A1 * 5/2015 Aronie A24F 47/008
128/202.21
2015/0215439 A1 * 7/2015 Stanimirovic H04M 1/215
455/572
2015/0305407 A1 * 10/2015 Li A61M 11/08
131/273

FOREIGN PATENT DOCUMENTS

CN	201430036362	*	2/2014
JP	D2014-8591	*	4/2014
JP	D2014-8592	*	4/2014
JP	D2014-8593	*	4/2014
JP	D2014-8594	*	4/2014

OTHER PUBLICATIONS

Forum-ecigarette.com: Evol DNA 20D: Questions, astuces et discussions de bricolage. Retrieved from the internet at <<http://www.forum-ecigarette.com/questions-astuces-et-discussions-de-bricolage-f1373/evol-dna-20d-t61369-350.html>>, Nov. 24, 2015. 6 pages.*

* cited by examiner

Primary Examiner — Rosemary K Tarcza
Assistant Examiner — Christy Nemeth
(74) *Attorney, Agent, or Firm* — Tim Tingkang Xia, Esq.; Locke Lord LLP

(56) **References Cited**

U.S. PATENT DOCUMENTS

D347,490 S * 5/1994 Gee D27/194
D368,552 S * 4/1996 Adams D27/194
D424,236 S * 5/2000 Reed D27/163
D649,708 S * 11/2011 Oneil D27/163
D654,160 S * 2/2012 Yomtov D23/360
D728,855 S * 5/2015 Liu D27/163

(57) **CLAIM**
The ornamental design for an electronic cigarette, as shown and described.

DESCRIPTION

FIG. 1 is a front elevational view of a first embodiment of an electronic cigarette;

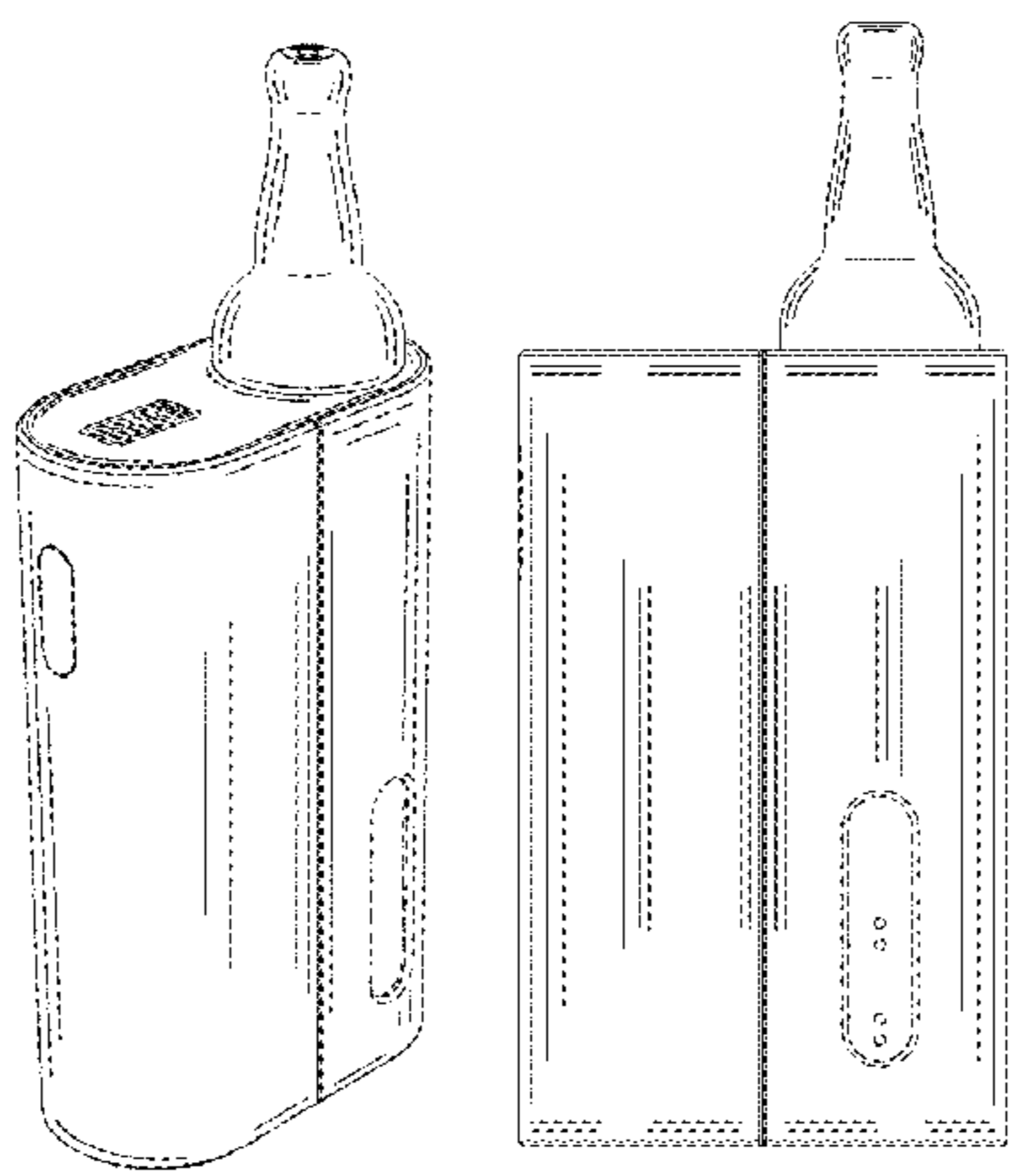


FIG. 2 is a rear elevational view of the first embodiment of the electronic cigarette;
FIG. 3 is a left side elevational view of the first embodiment of the electronic cigarette;
FIG. 4 is a right side elevational view of the first embodiment of the electronic cigarette;
FIG. 5 is a top plan view of the first embodiment of the electronic cigarette;
FIG. 6 is a bottom plan view of the first embodiment of the electronic cigarette;
FIG. 7 is a first perspective view of the first embodiment of the electronic cigarette;
FIG. 8 is a second perspective view of the first embodiment of the electronic cigarette;
FIG. 9 is a front elevational view of a second embodiment of the electronic cigarette;
FIG. 10 is a rear elevational view of the second embodiment of the electronic cigarette;
FIG. 11 is a left side elevational view of the second embodiment of the electronic cigarette;
FIG. 12 is a right side elevational view of the second embodiment of the electronic cigarette;
FIG. 13 is a top plan view of the second embodiment of the electronic cigarette;
FIG. 14 is a bottom plan view of the second embodiment of the electronic cigarette;
FIG. 15 is a first perspective view of the second embodiment of the electronic cigarette;
FIG. 16 is a second perspective view of the second embodiment of the electronic cigarette;
FIG. 17 is a front elevational view of a third embodiment of the electronic cigarette;
FIG. 18 is a rear elevational view of the third embodiment of the electronic cigarette;

FIG. 19 is a left side elevational view of the third embodiment of the electronic cigarette;
FIG. 20 is a right side elevational view of the third embodiment of the electronic cigarette;
FIG. 21 is a top plan view of the third embodiment of the electronic cigarette;
FIG. 22 is a bottom plan view of the third embodiment of the electronic cigarette;
FIG. 23 is a first perspective view of the third embodiment of the electronic cigarette;
FIG. 24 is a second perspective view of the third embodiment of the electronic cigarette;
FIG. 25 is a front elevational view of a fourth embodiment of the electronic cigarette;
FIG. 26 is a rear elevational view of the fourth embodiment of the electronic cigarette;
FIG. 27 is a left side elevational view of the fourth embodiment of the electronic cigarette;
FIG. 28 is a right side elevational view of the fourth embodiment of the electronic cigarette;
FIG. 29 is a top plan view of the fourth embodiment of the electronic cigarette;
FIG. 30 is a bottom plan view of the fourth embodiment of the electronic cigarette;
FIG. 31 is a first perspective view of the fourth embodiment of the electronic cigarette; and,
FIG. 32 is a second perspective view of the fourth embodiment of the electronic cigarette.
The broken lines shown in the drawings are included for the purpose of illustrating environmental structure and form no part of the claimed design.

1 Claim, 28 Drawing Sheets

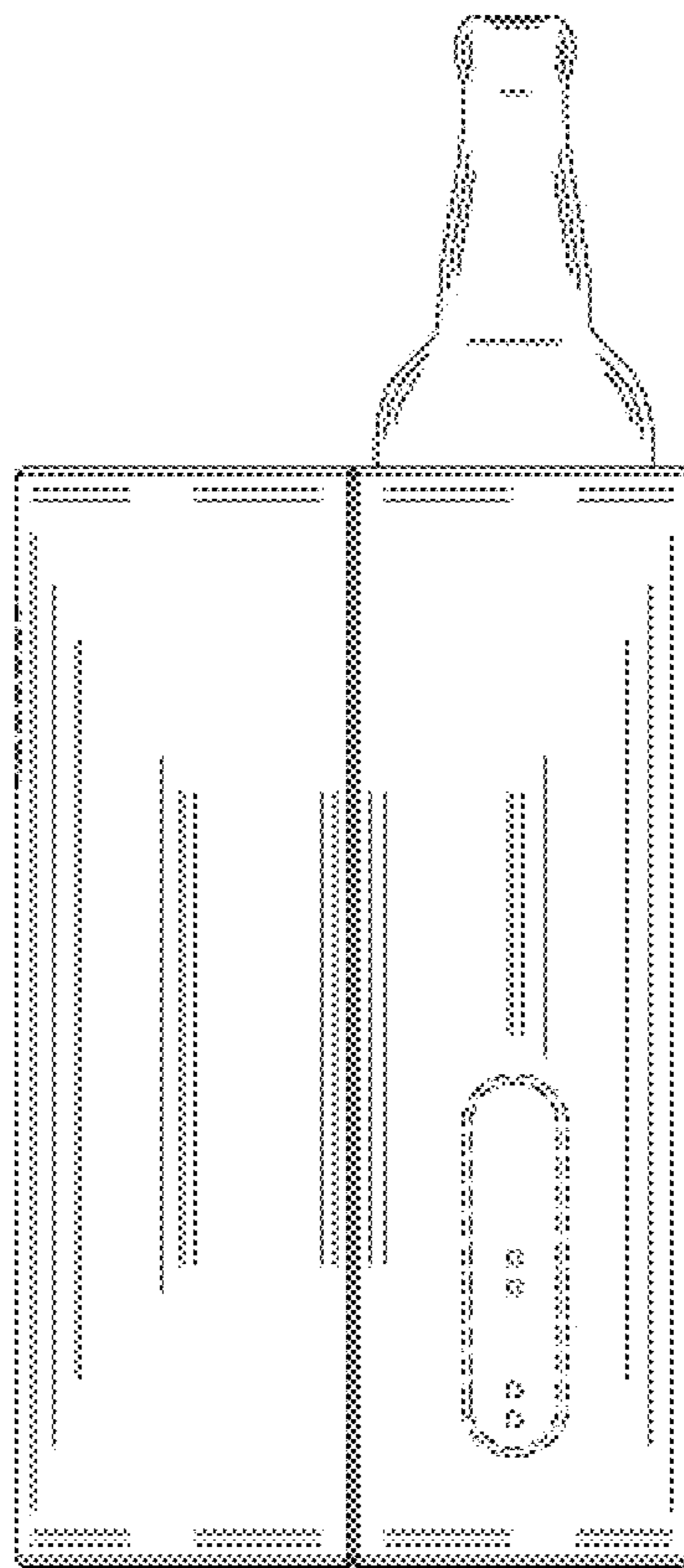


Fig. 1

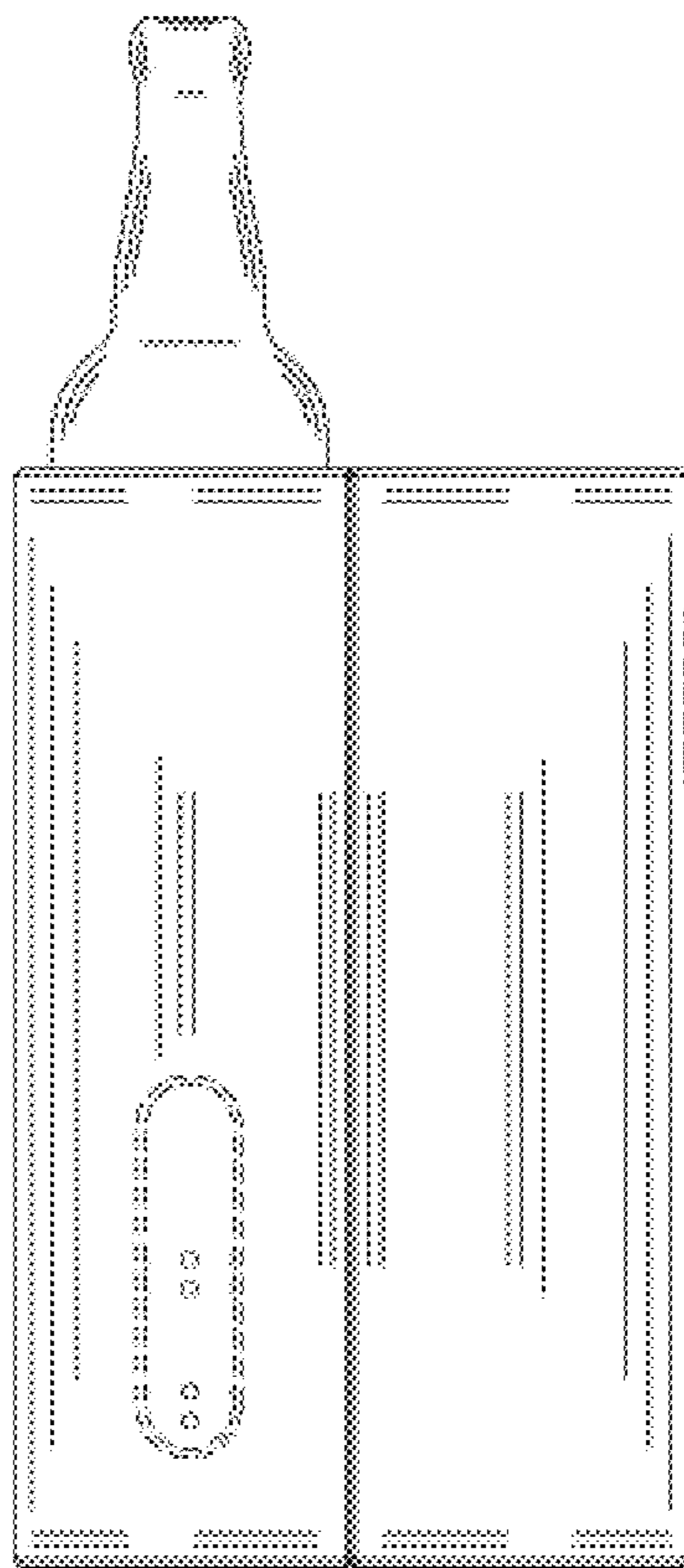


Fig. 2

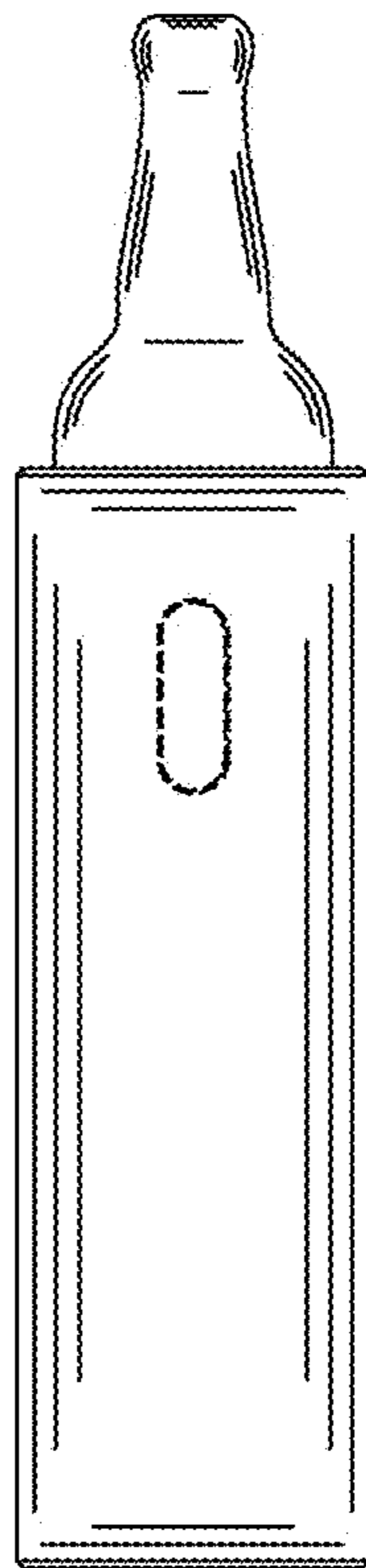


Fig. 3

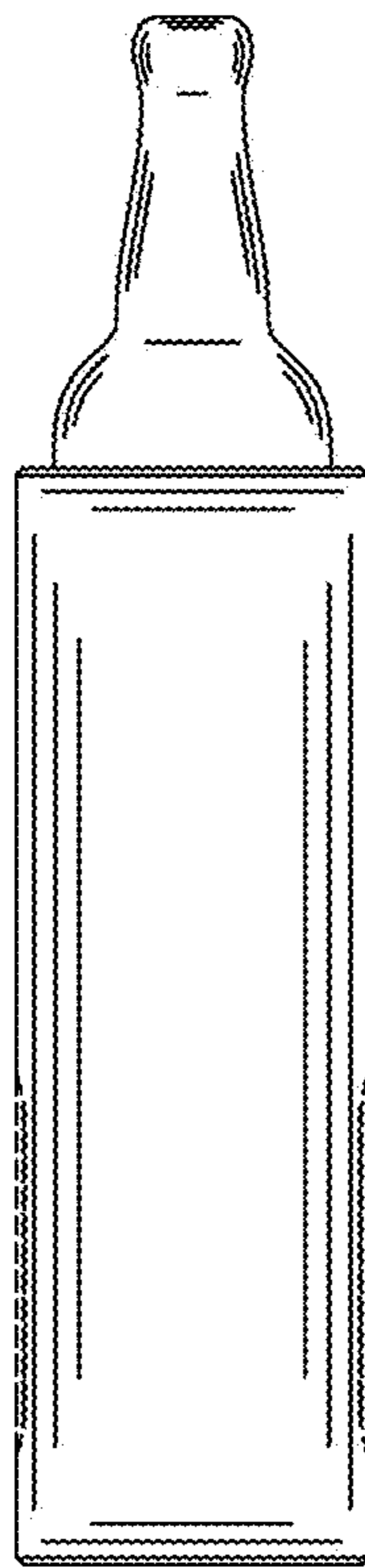


Fig. 4

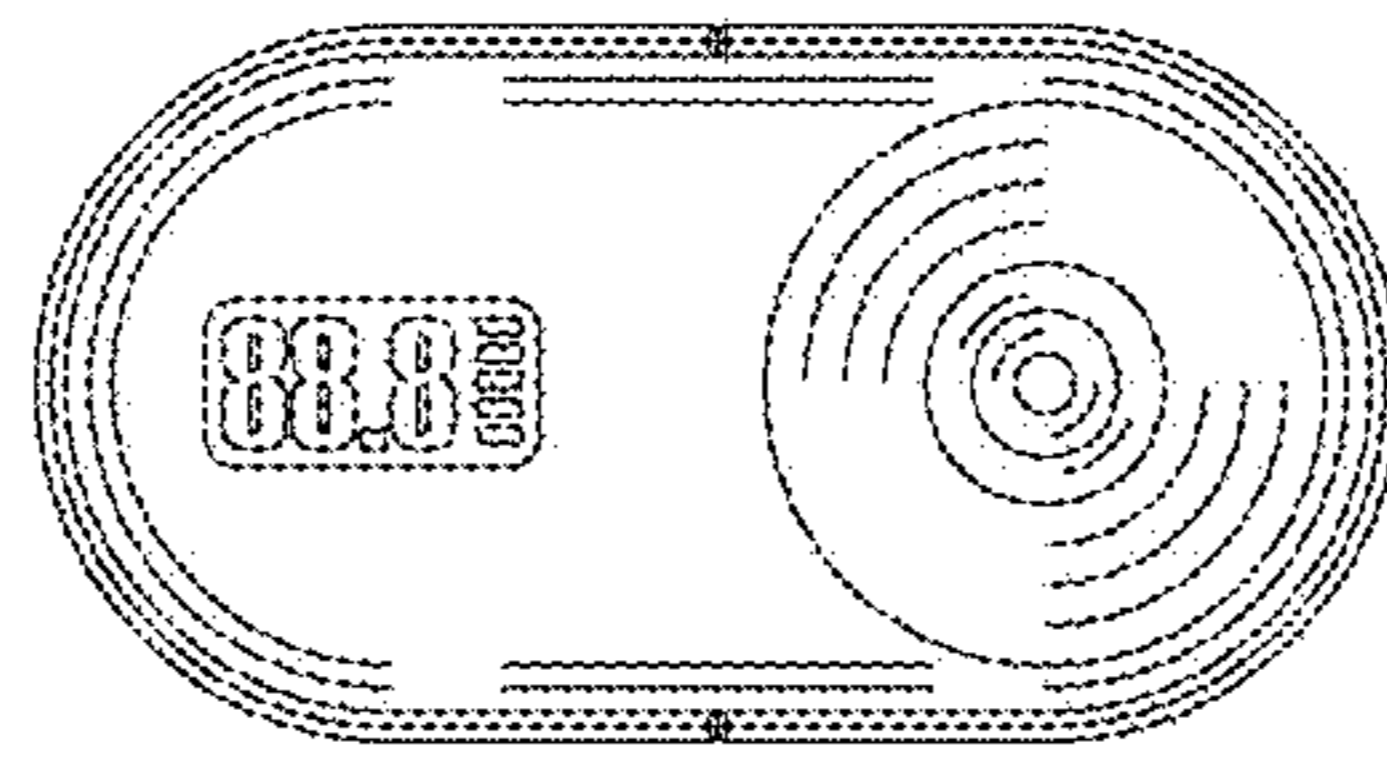


Fig. 5

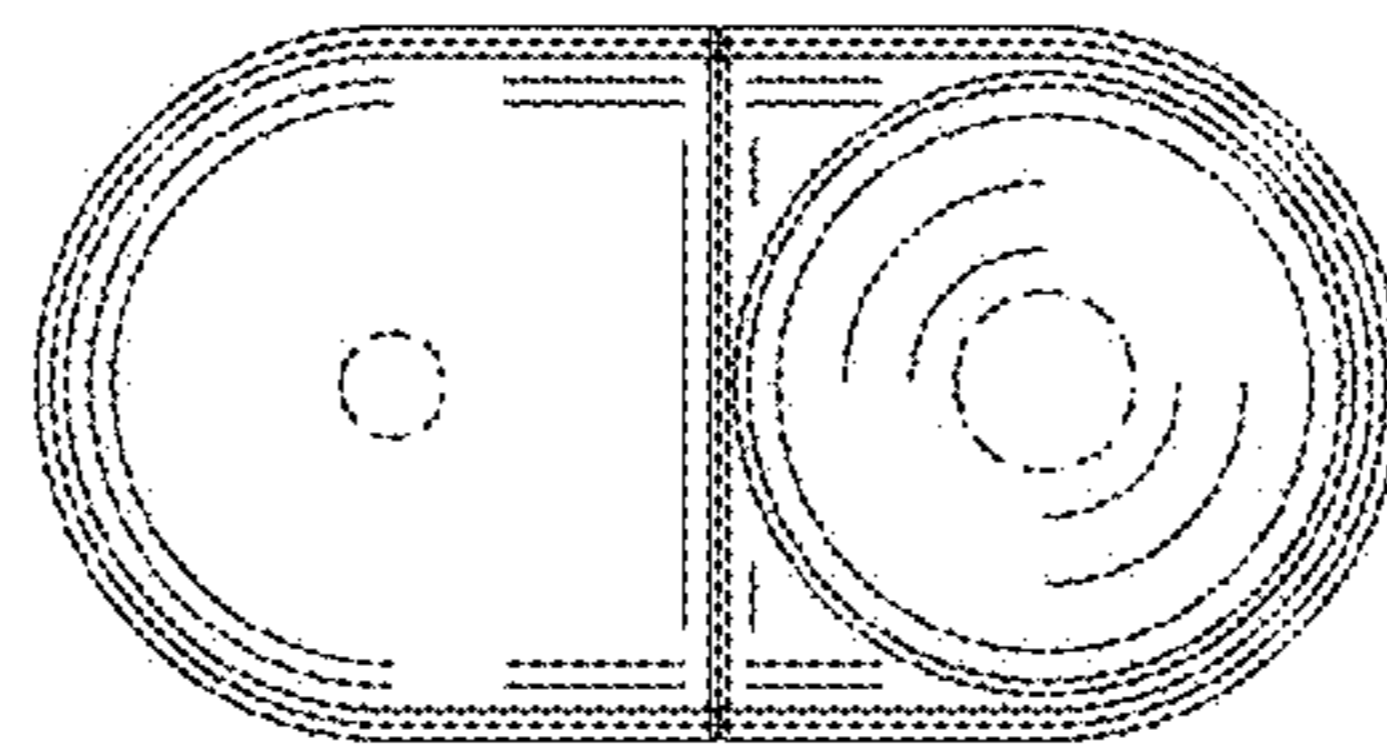


Fig. 6

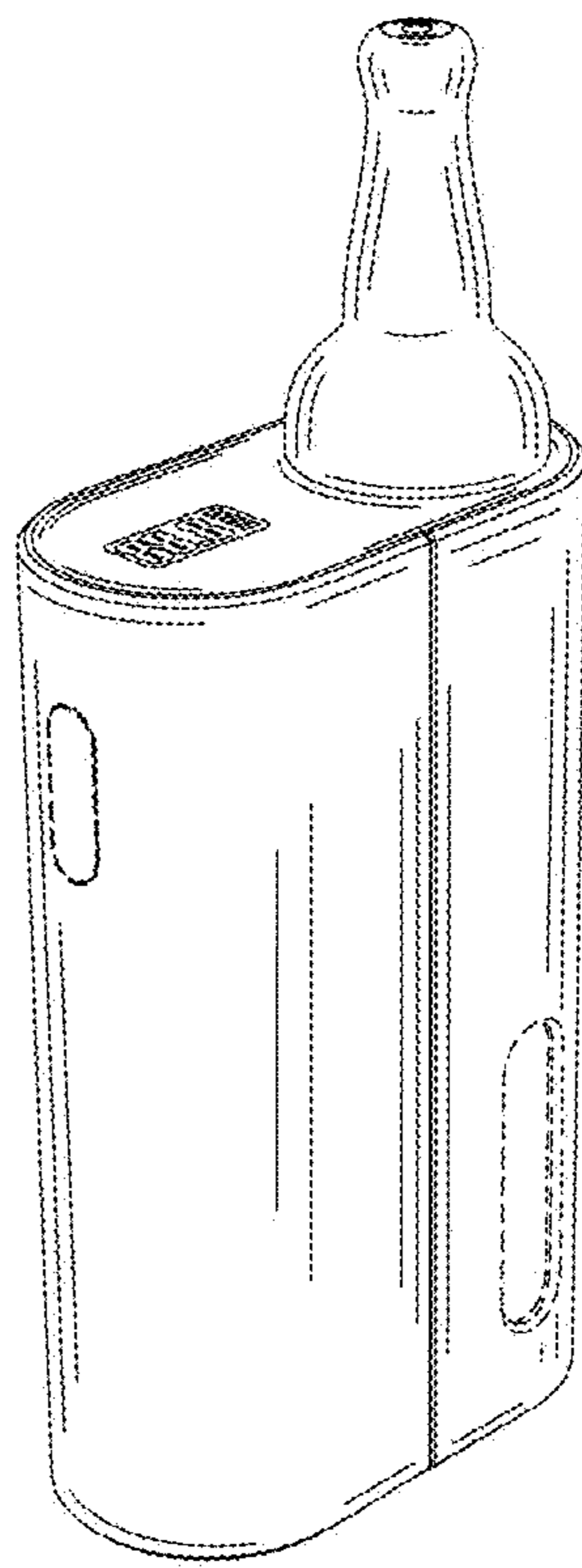


Fig. 7

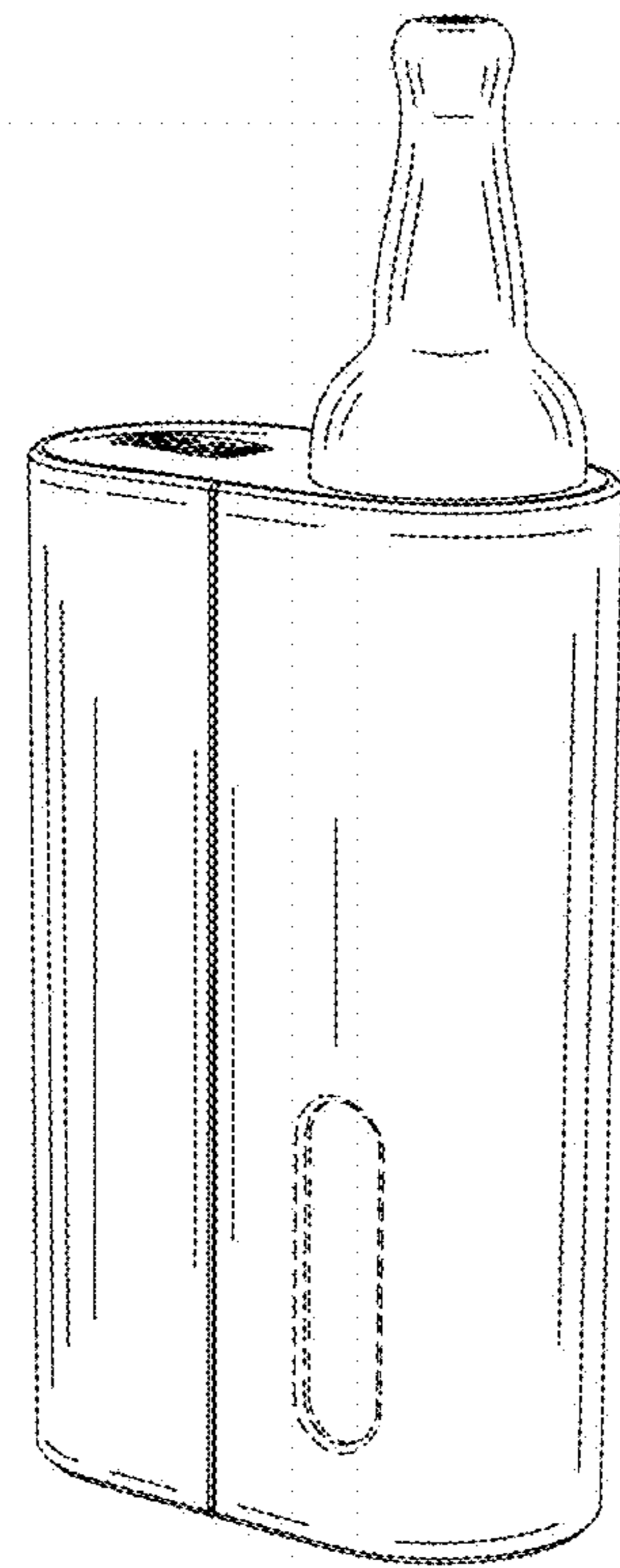


Fig. 8

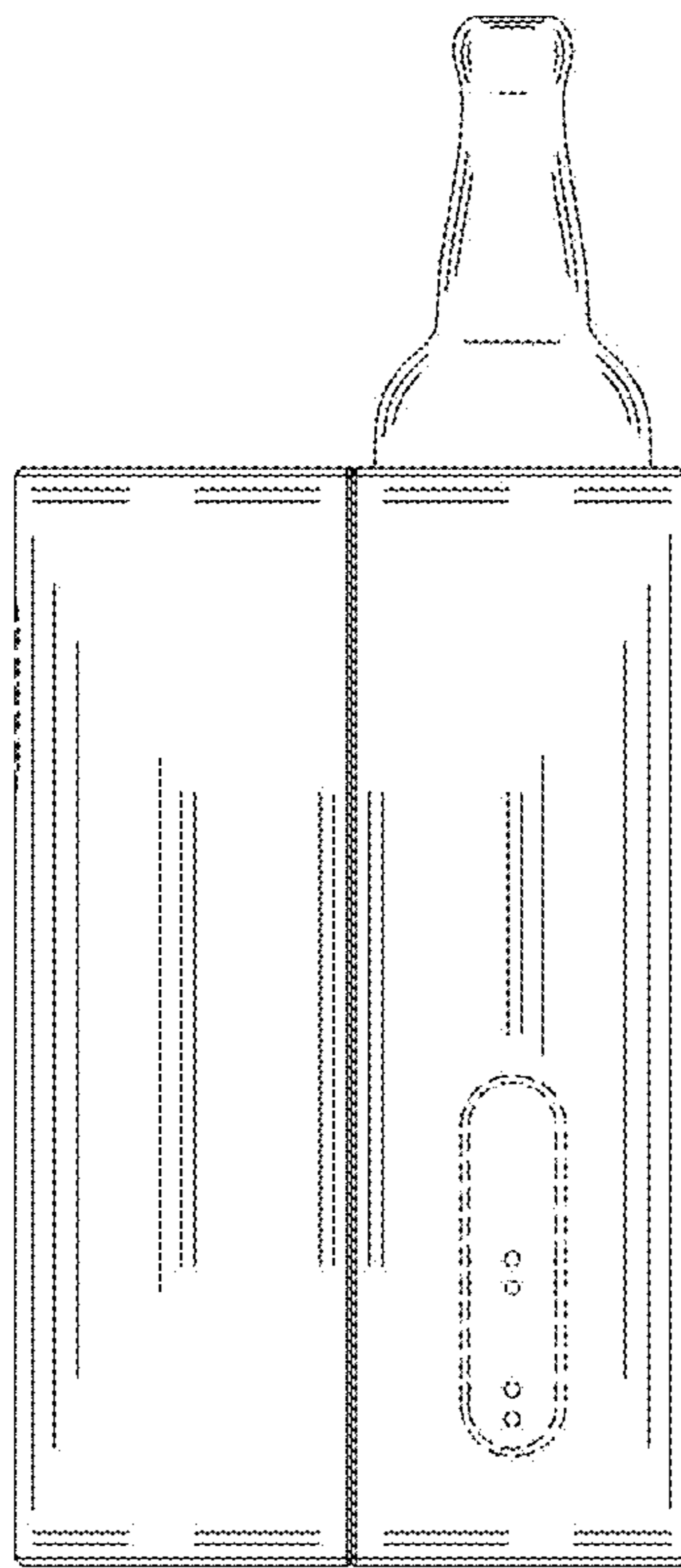


Fig. 9

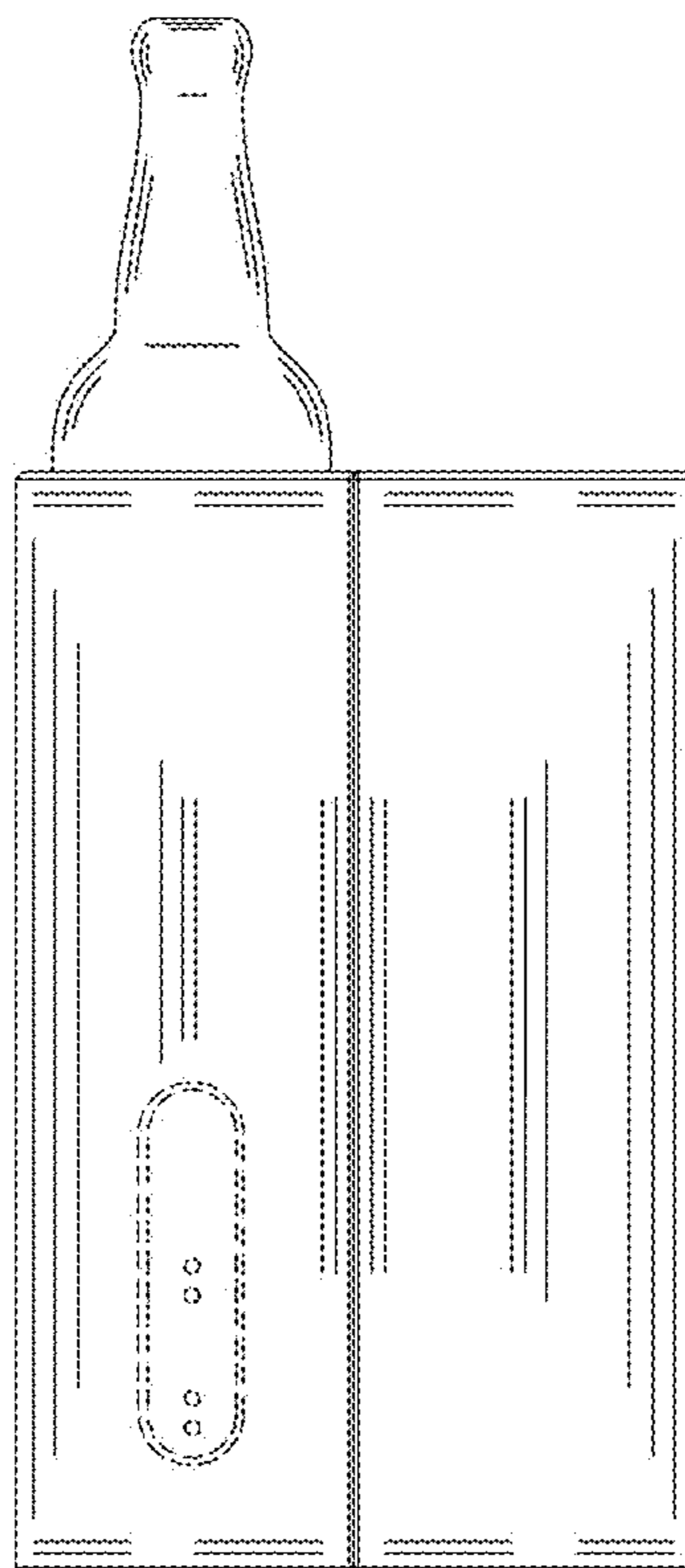


Fig. 10

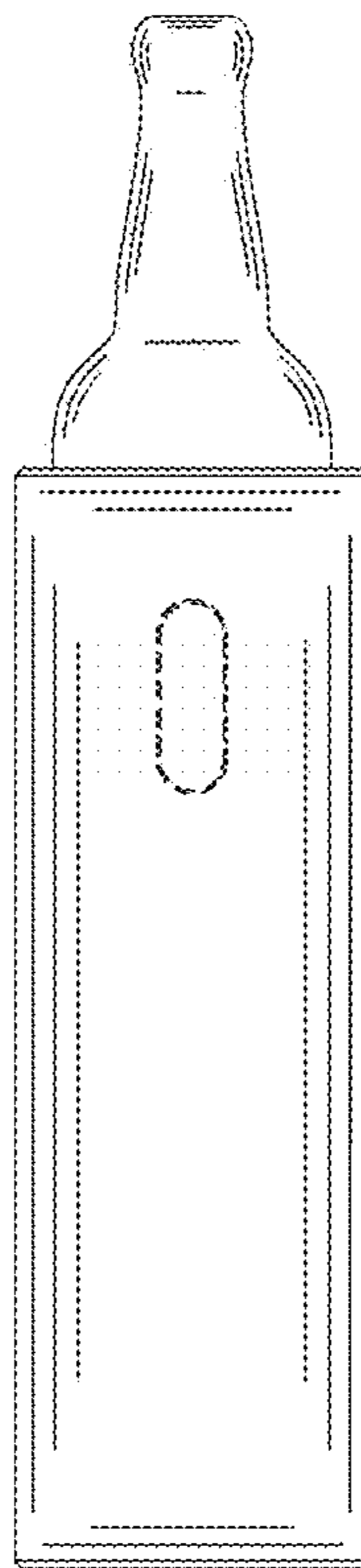


Fig. 11

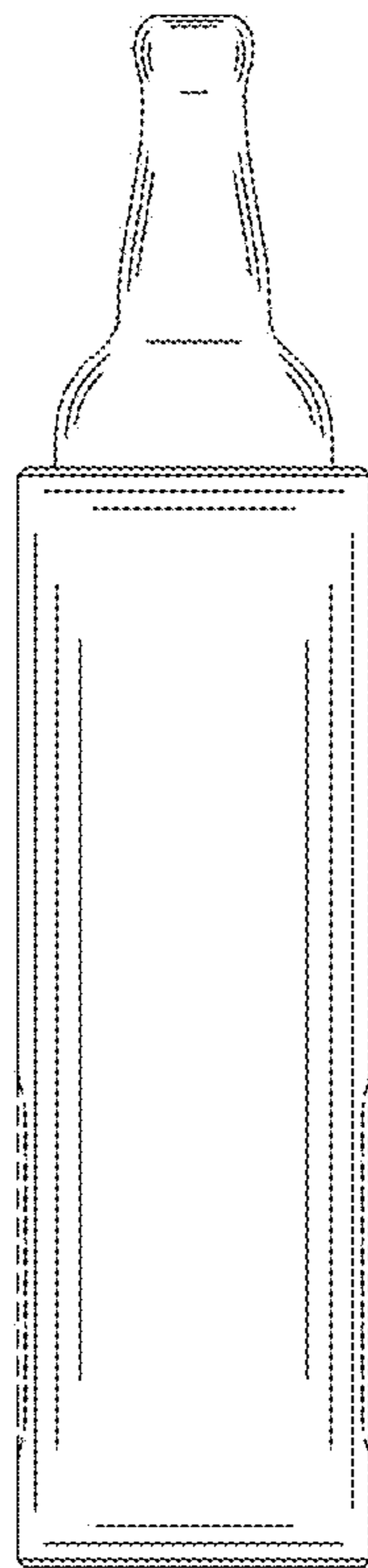


Fig. 12

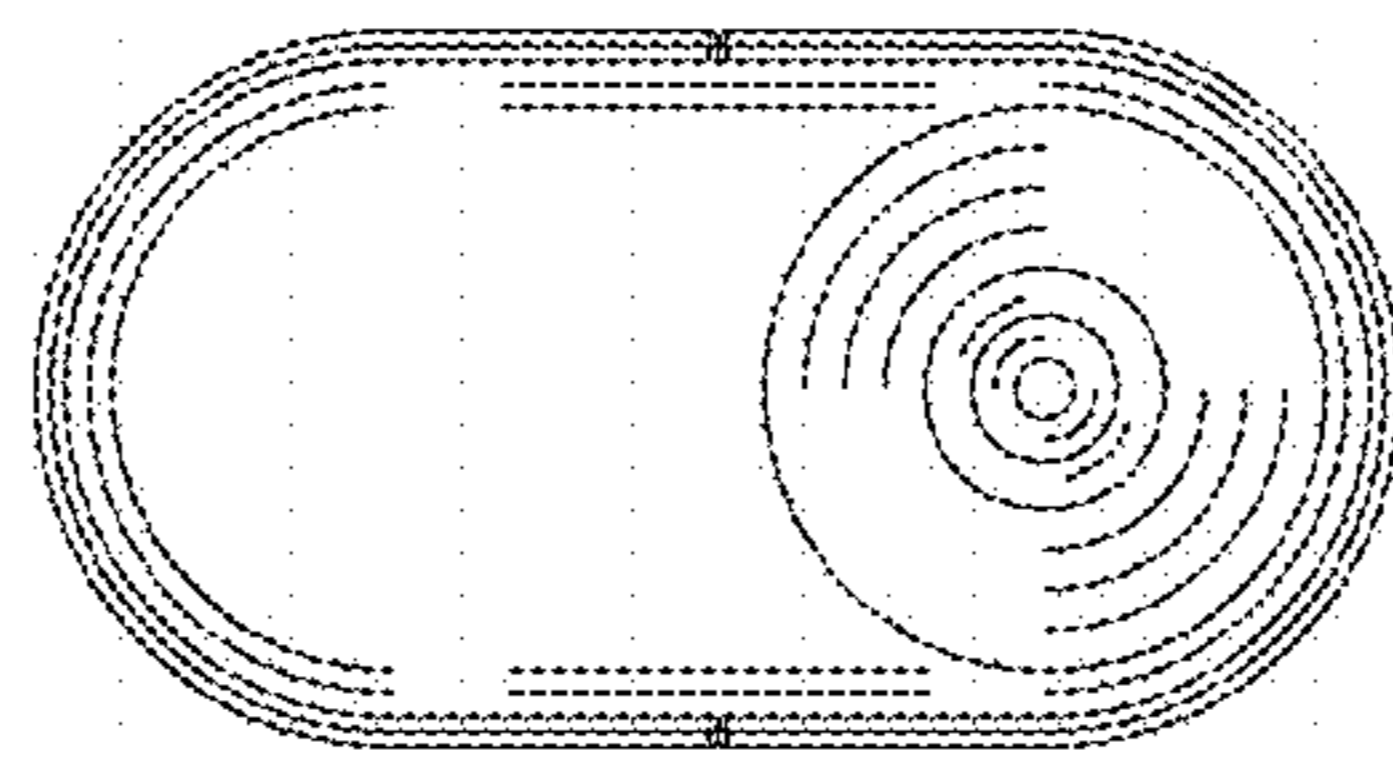


Fig. 13

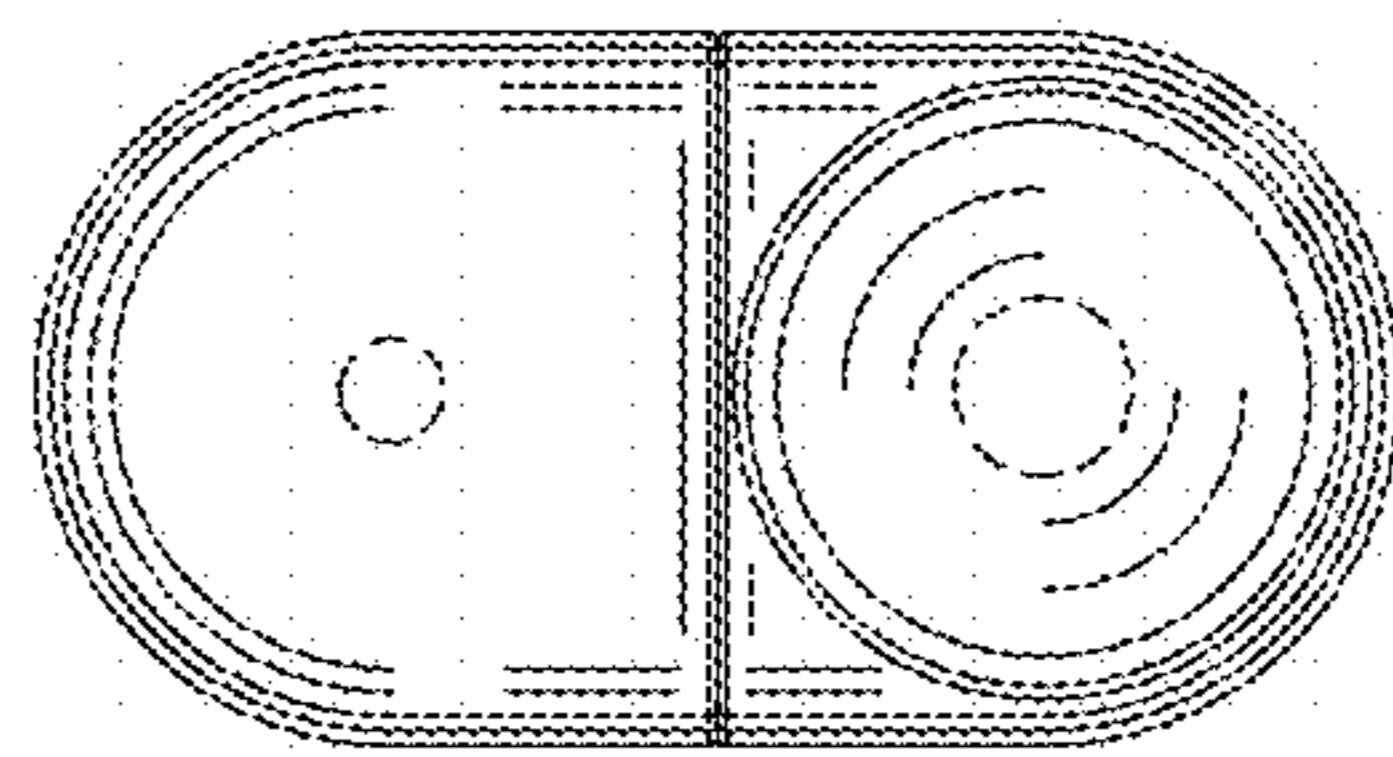


Fig. 14

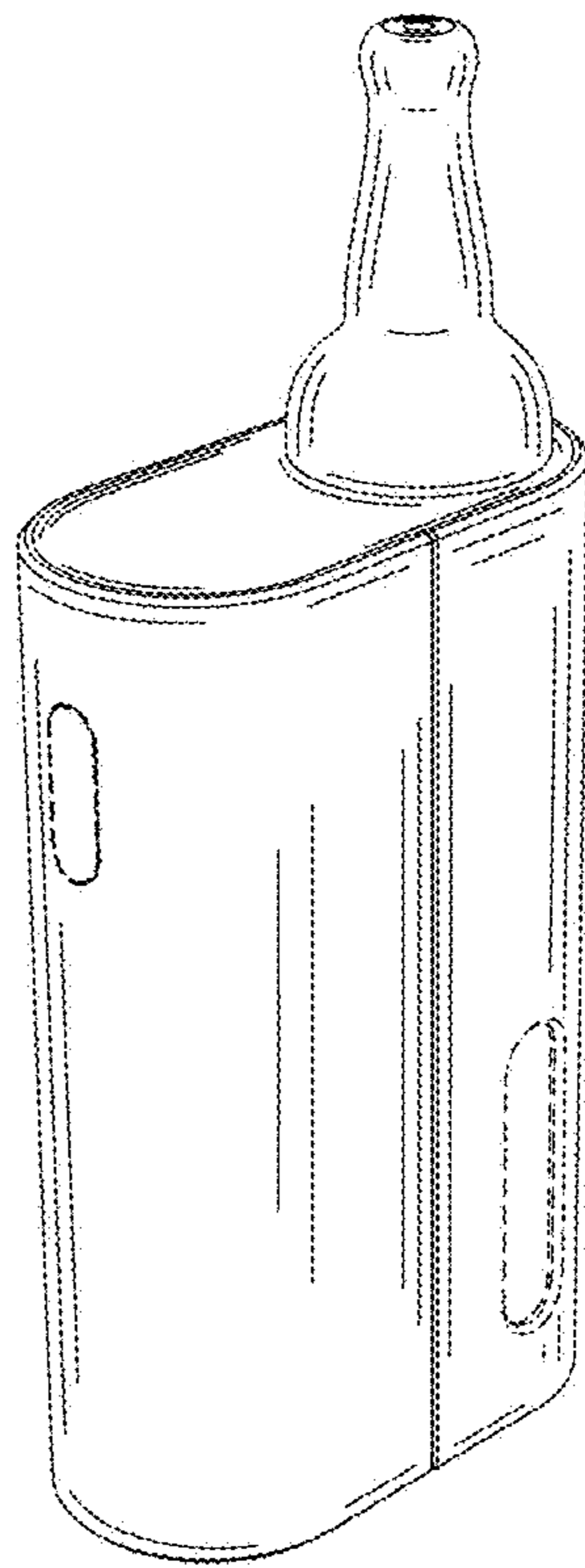


Fig. 15

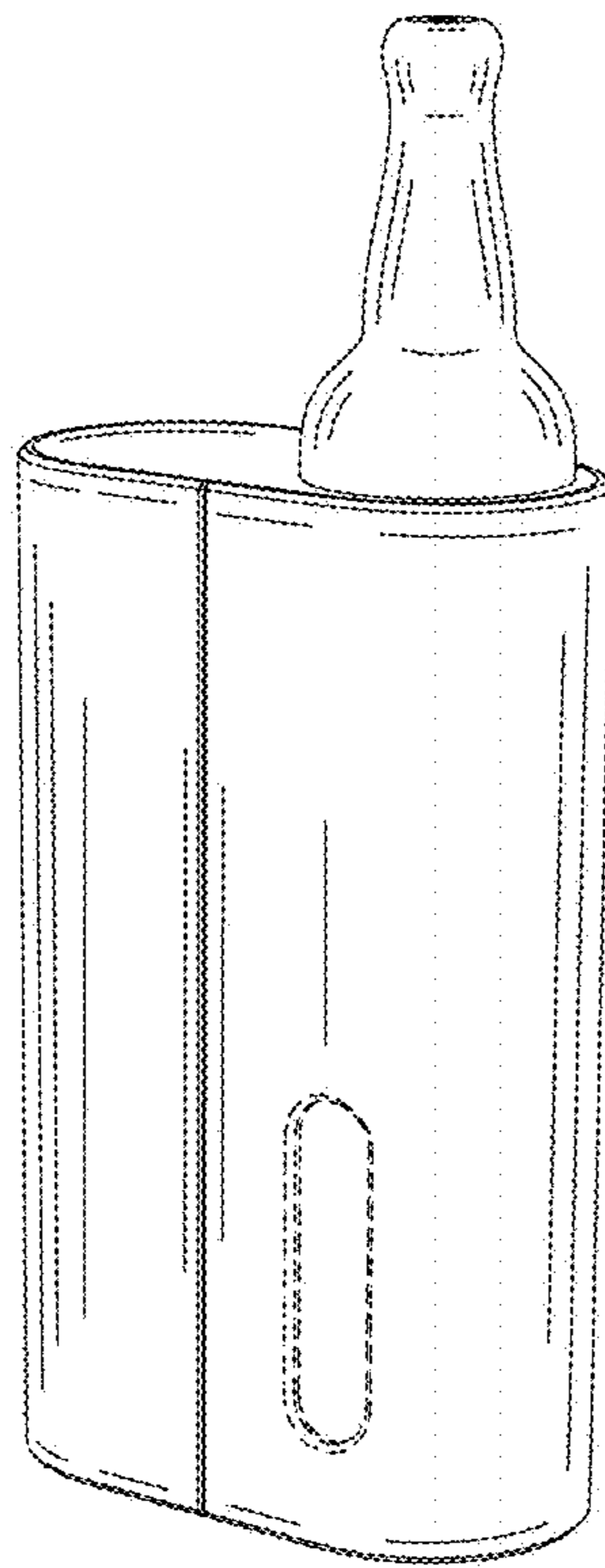


Fig. 16

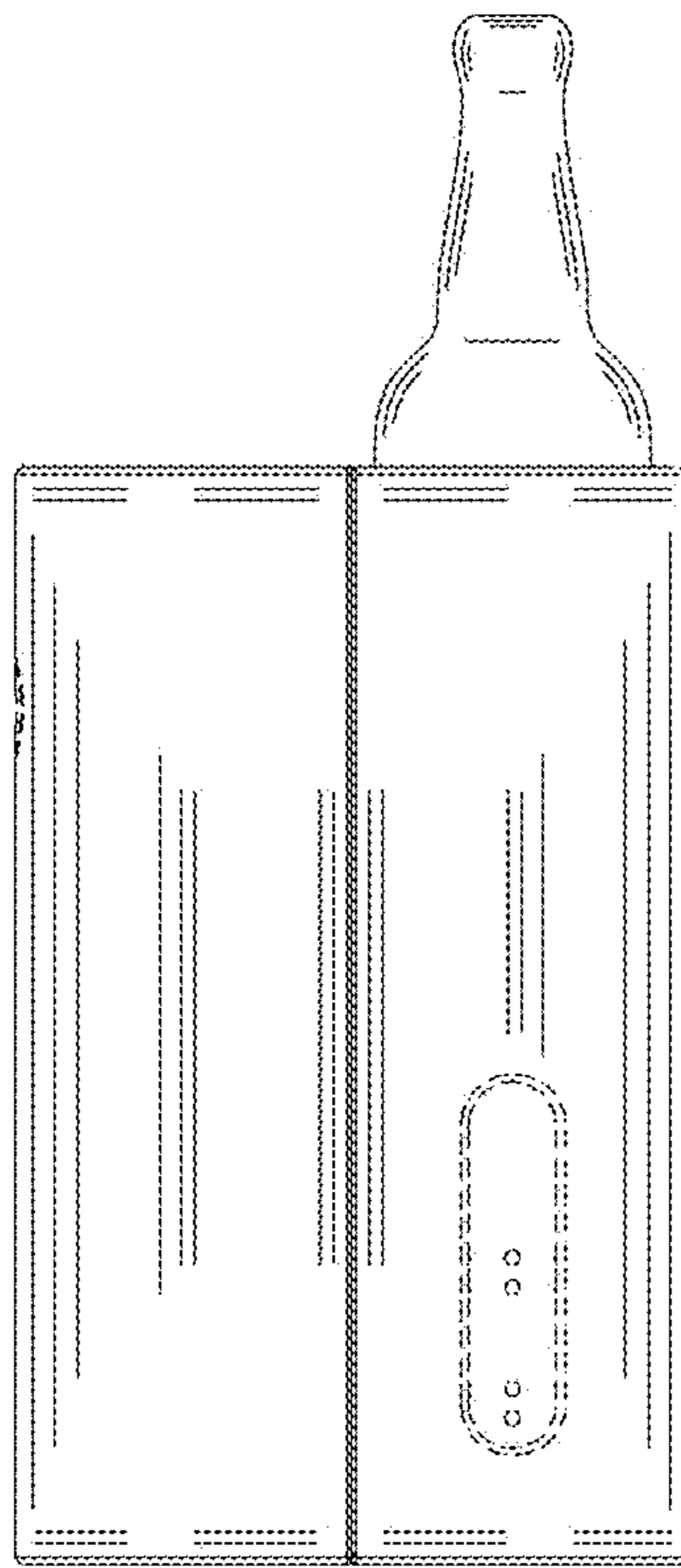


Fig. 17

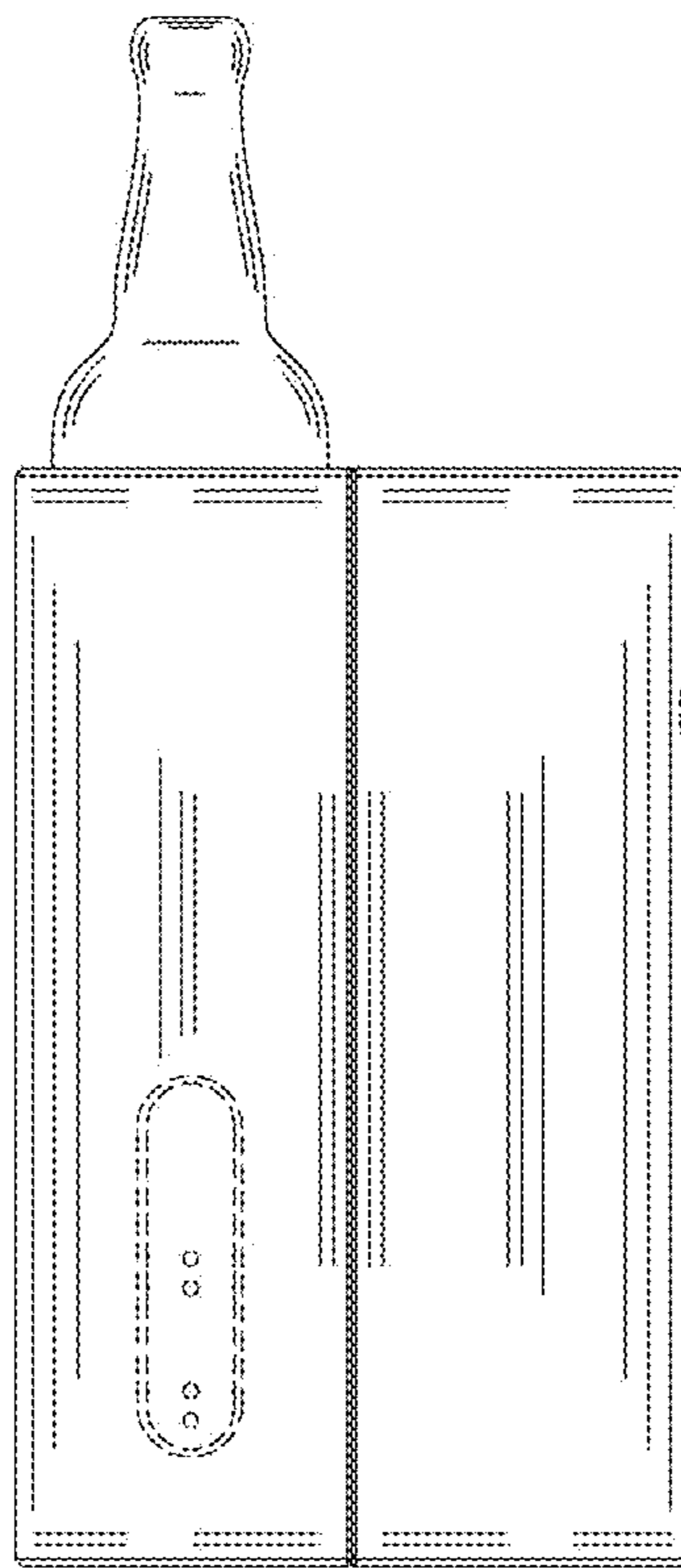


Fig. 18

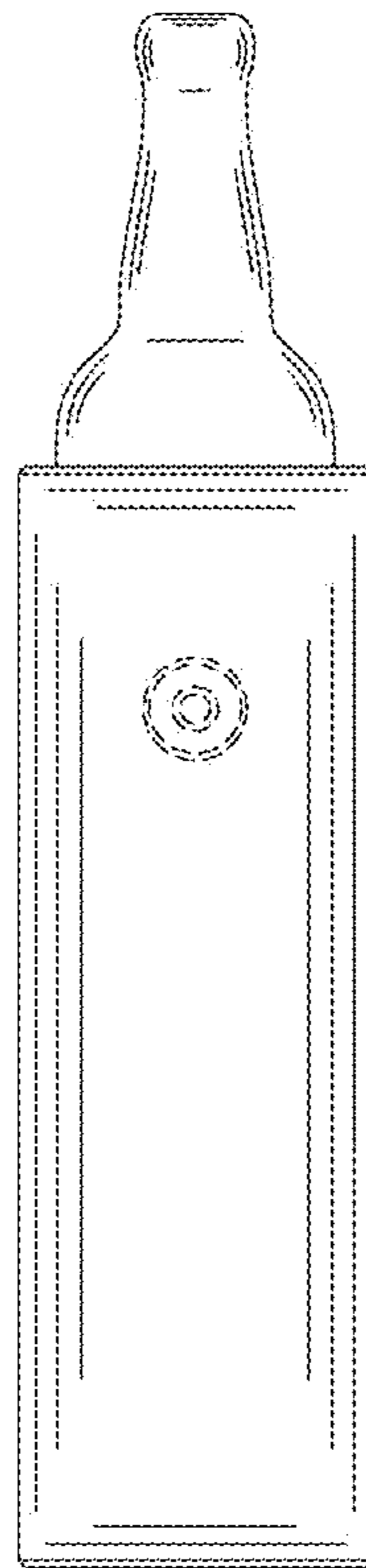


Fig. 19

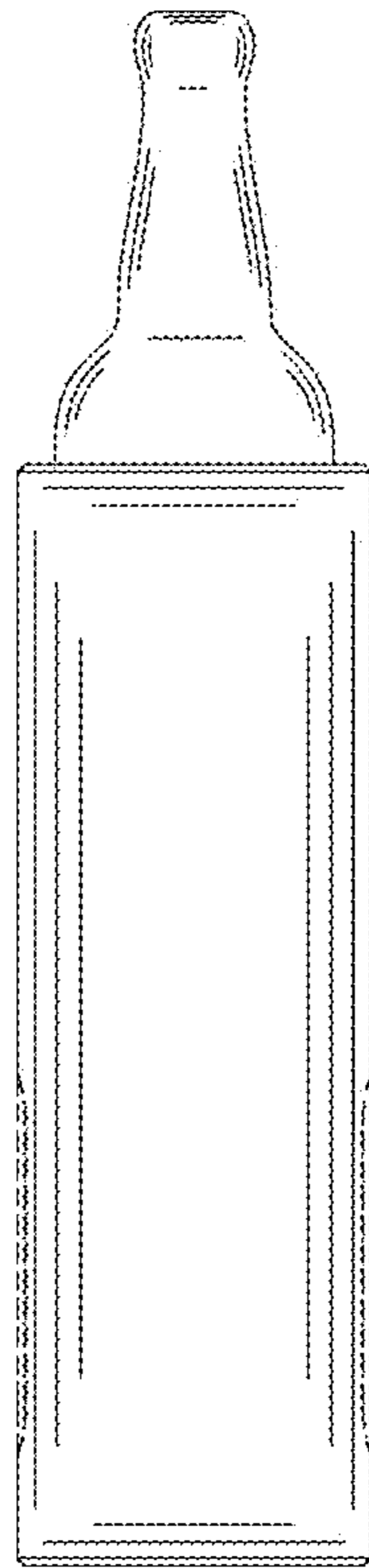


Fig. 20

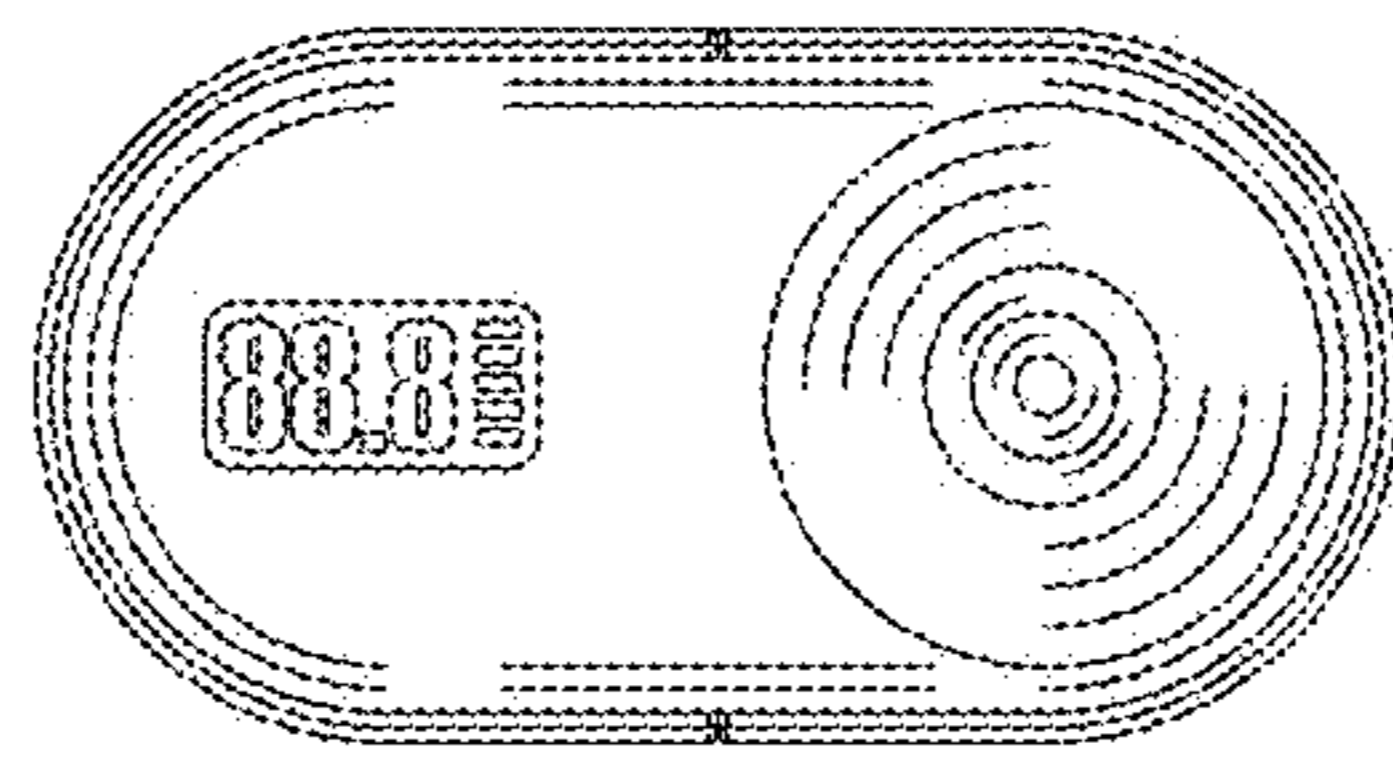


Fig. 21

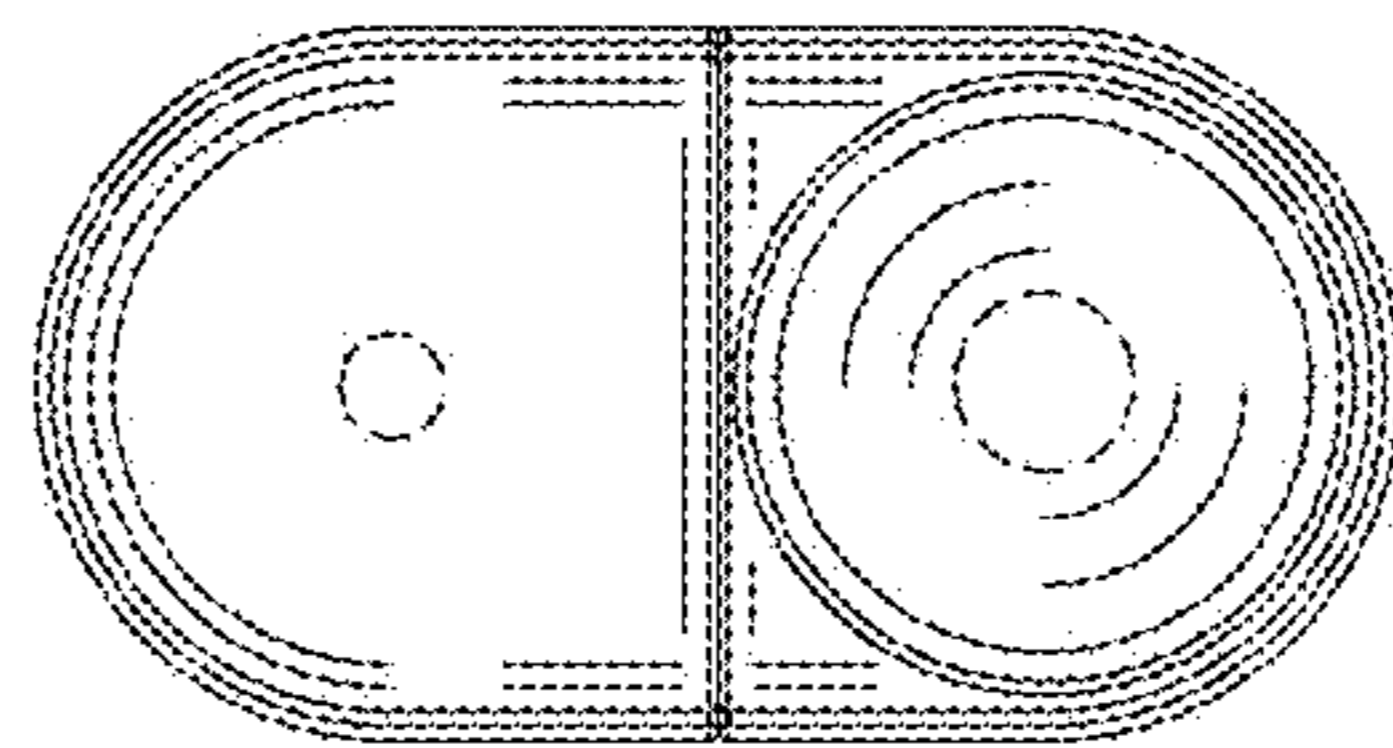


Fig. 22

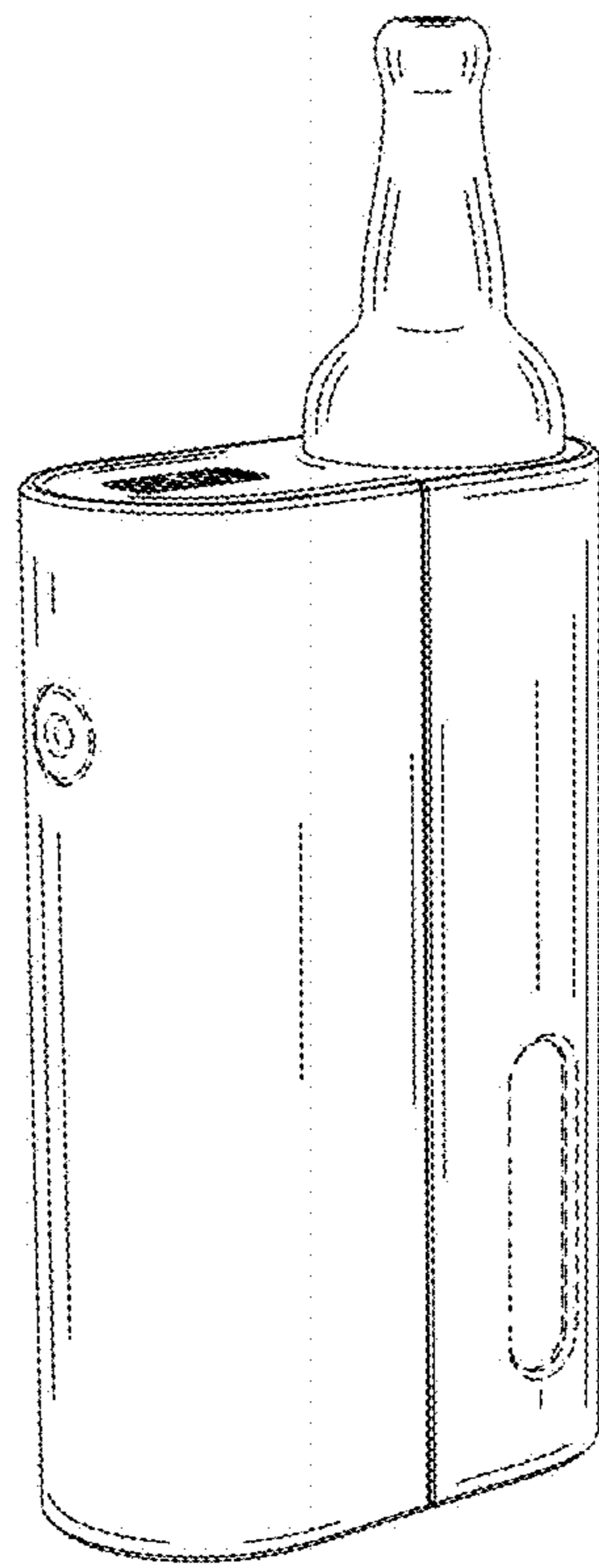


Fig. 23

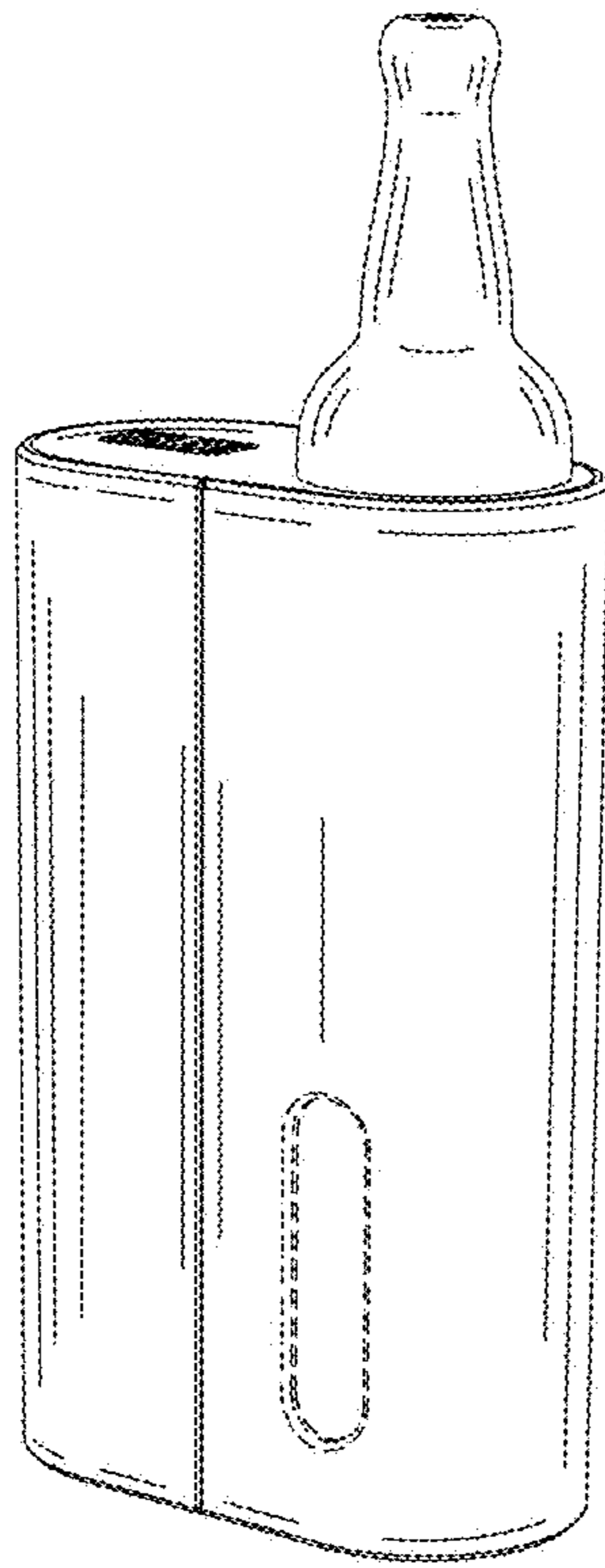


Fig. 24

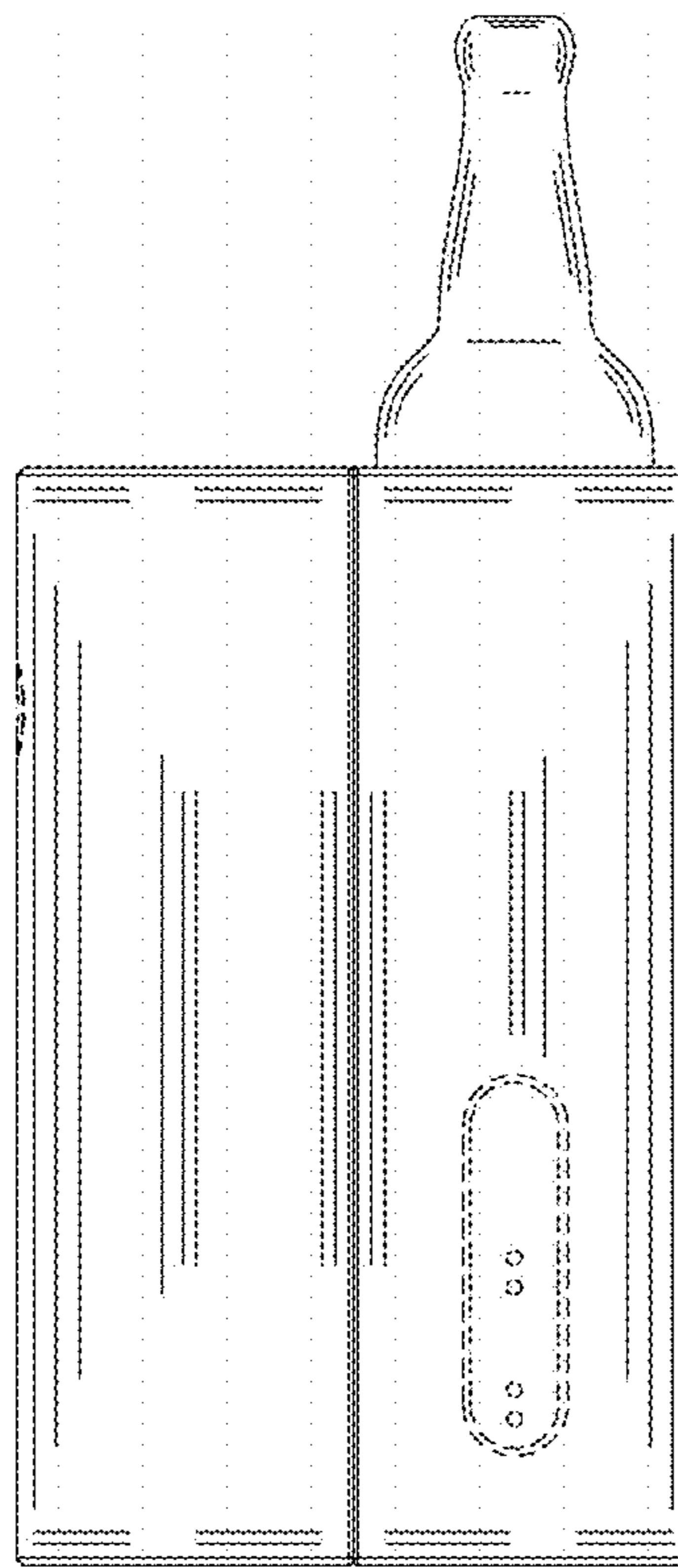


Fig. 25

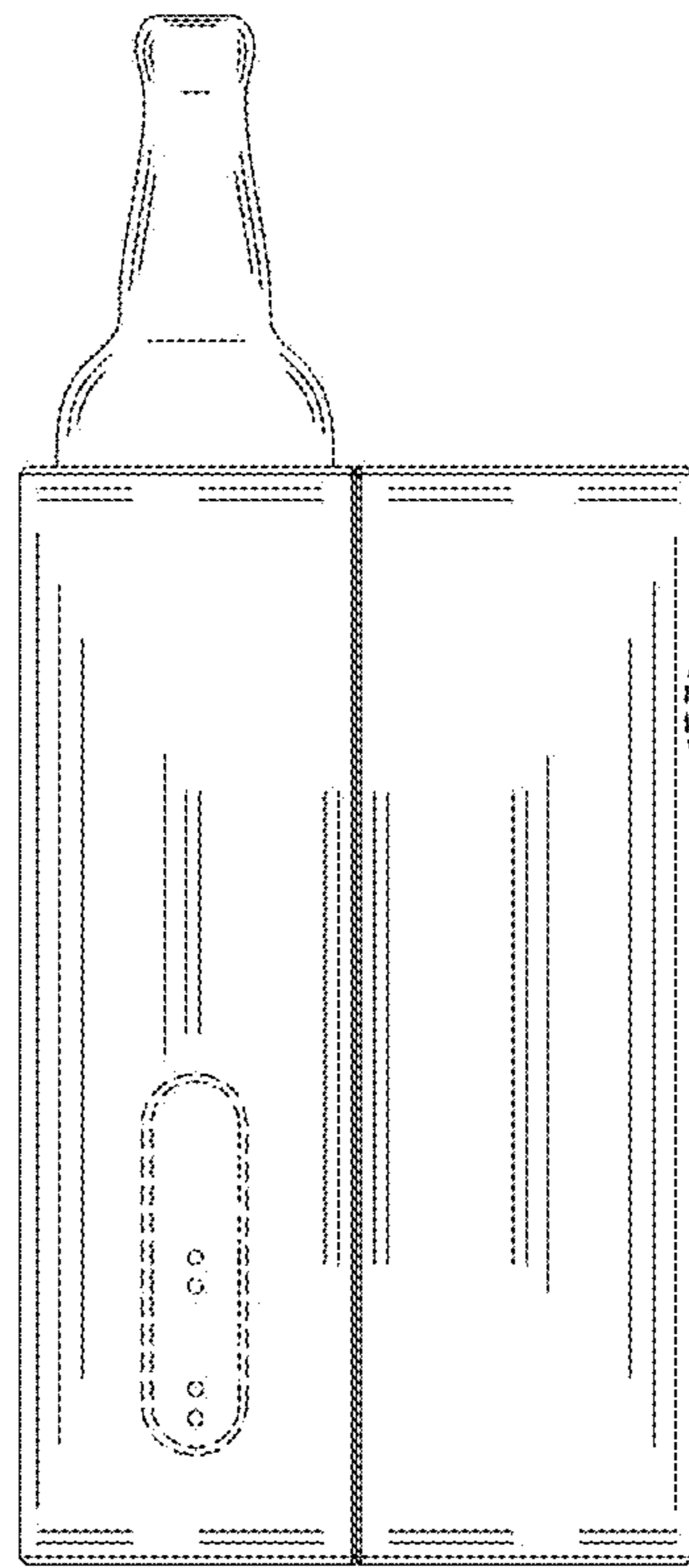


Fig. 26

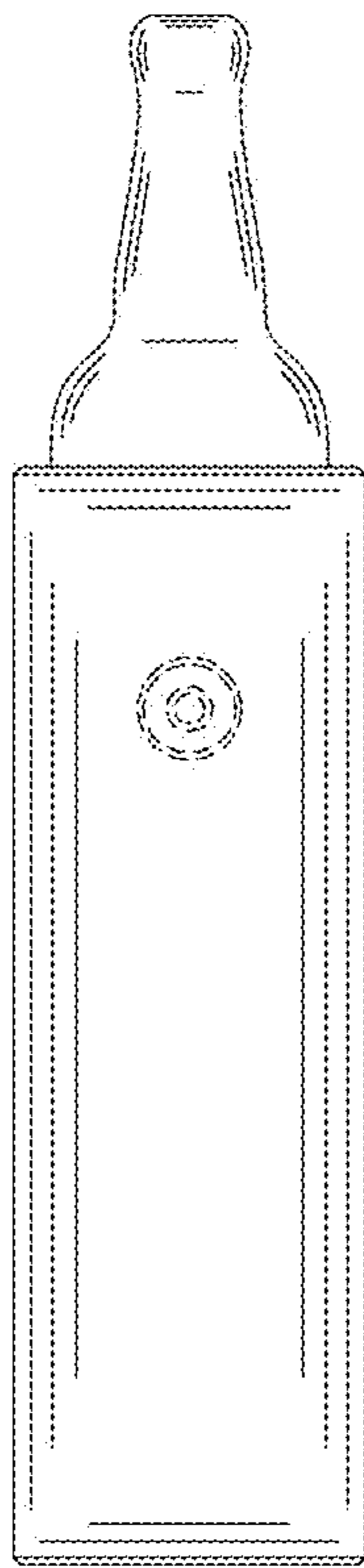


Fig. 27

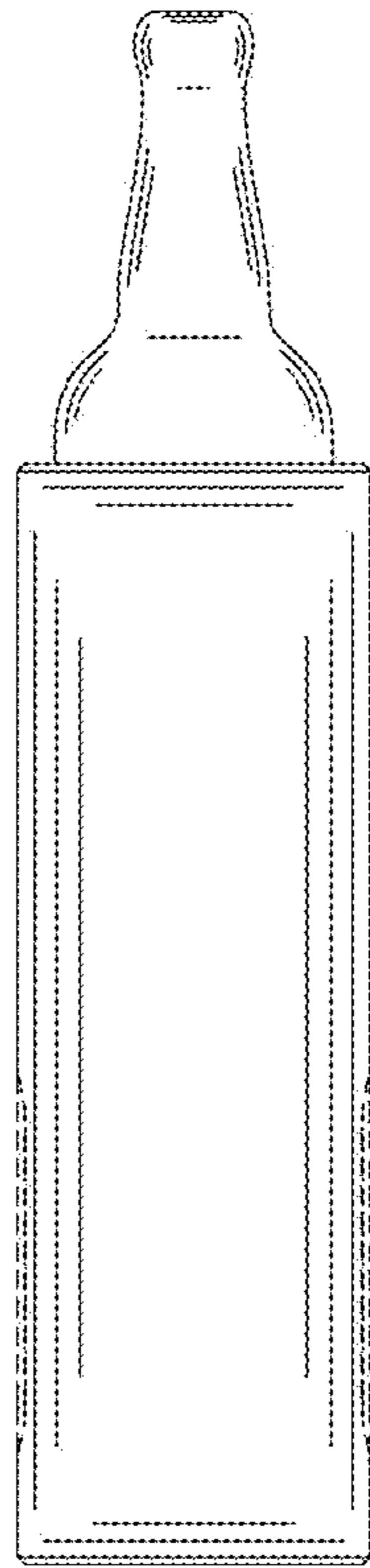


Fig. 28

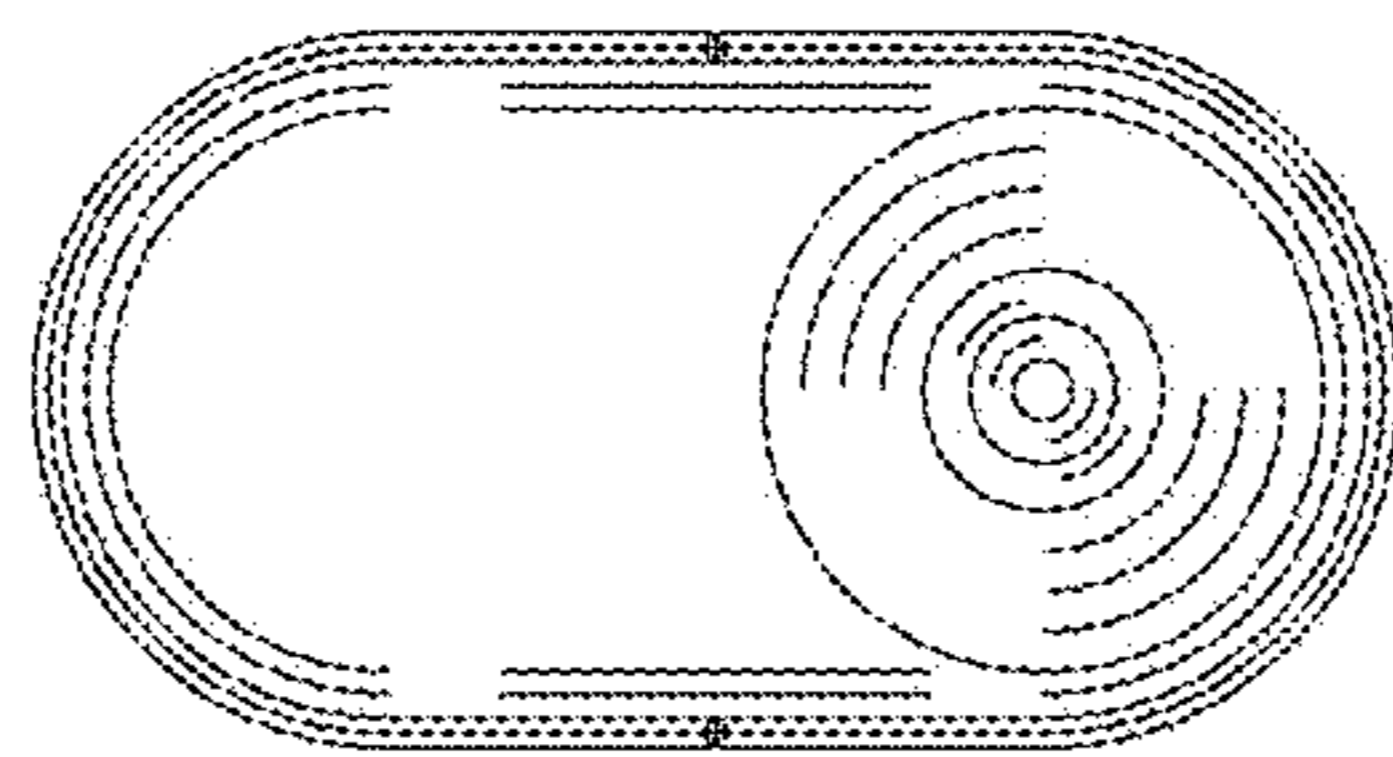


Fig. 29

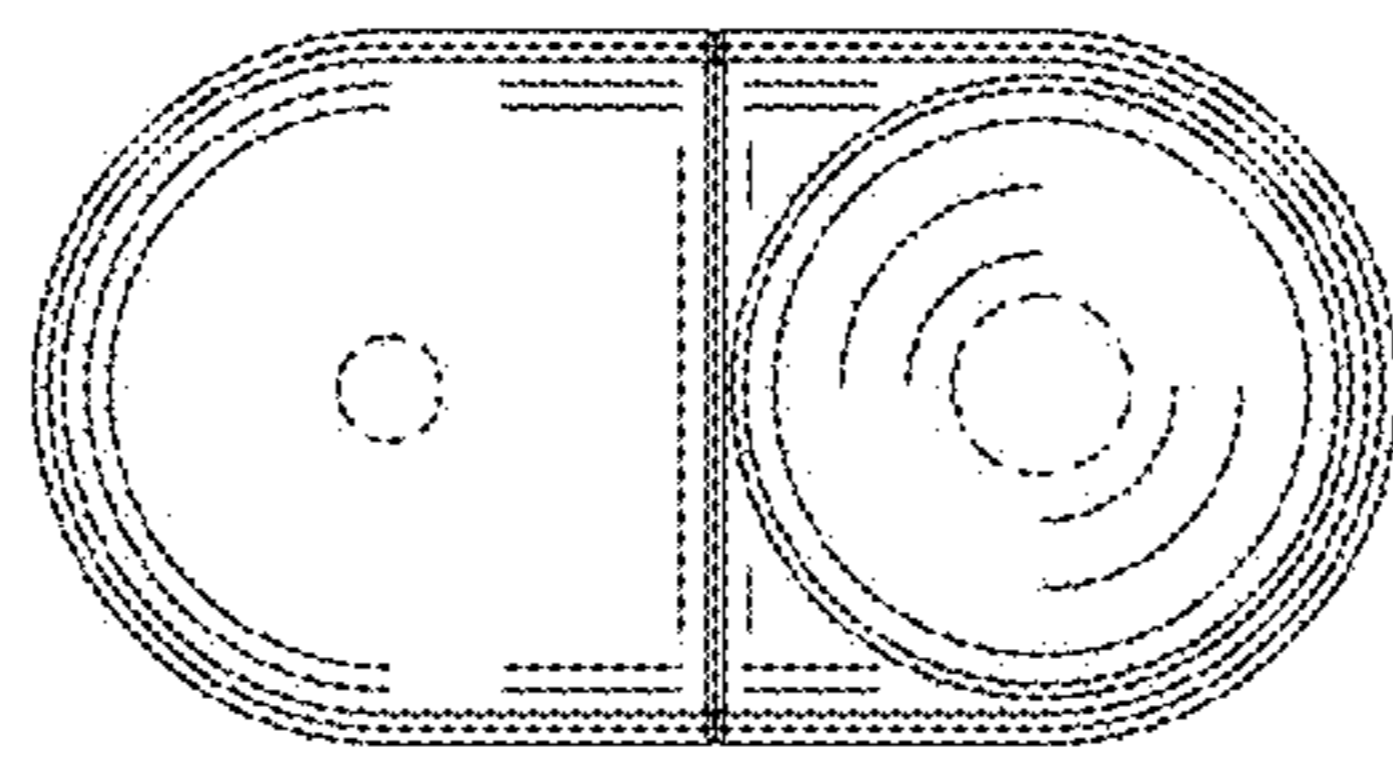


Fig. 30

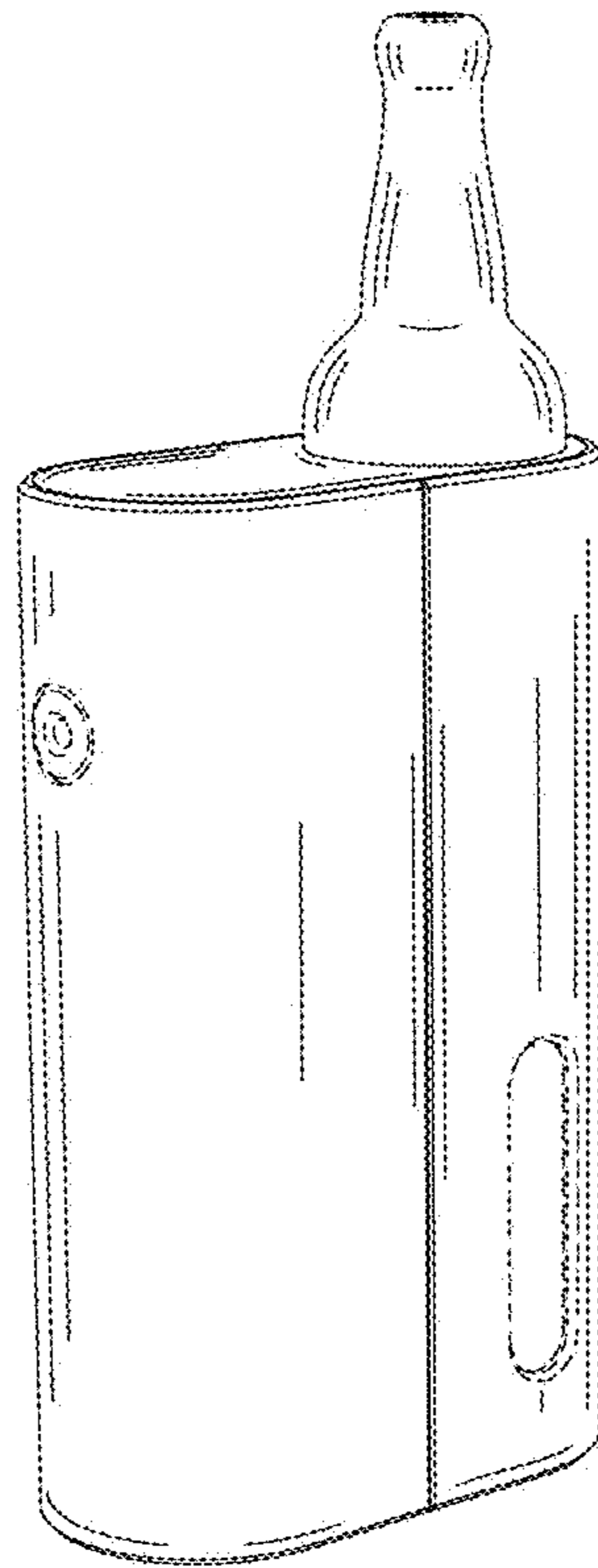


Fig. 31

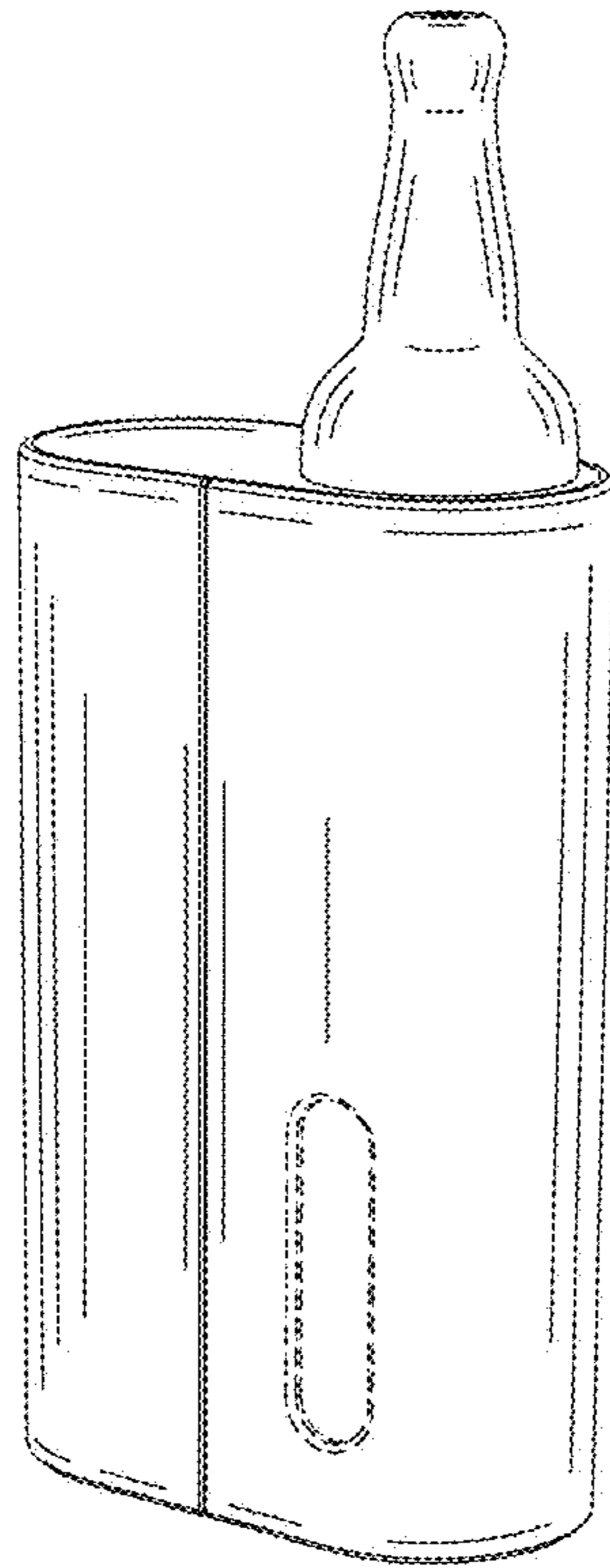


Fig. 32