



US00D761997S

(12) **United States Design Patent**
Messale et al.

(10) **Patent No.:** **US D761,997 S**
(45) **Date of Patent:** **** Jul. 19, 2016**

(54) **VEHICLE FOG LAMP BEZEL**

(56) **References Cited**

(71) Applicant: **Ford Motor Company**, Dearborn, MI (US)

U.S. PATENT DOCUMENTS

(72) Inventors: **Claudio Messale**, Cologne (DE);
Roberto Giachin, Zuelpich (DE);
Thomas Morel, Dusseldorf (DE);
Domenico Tonello, Cologne (DE)

D302,335 S * 7/1989 Smith D26/139
D421,817 S * 3/2000 Tucker D26/139
D571,500 S * 6/2008 Lin D26/139
D595,895 S * 7/2009 Lamm D26/139
D604,893 S * 11/2009 Woolley D26/139

* cited by examiner

(73) Assignee: **Ford Motor Company**, Dearborn, MI (US)

Primary Examiner — Marcus Jackson

(**) Term: **14 Years**

(74) *Attorney, Agent, or Firm* — Damian Porcari

(21) Appl. No.: **29/520,101**

(57) **CLAIM**

The ornamental design for a vehicle fog lamp bezel, as shown and described.

(22) Filed: **Mar. 11, 2015**

DESCRIPTION

(30) **Foreign Application Priority Data**

Sep. 18, 2014 (DE) 40 2014 100 888

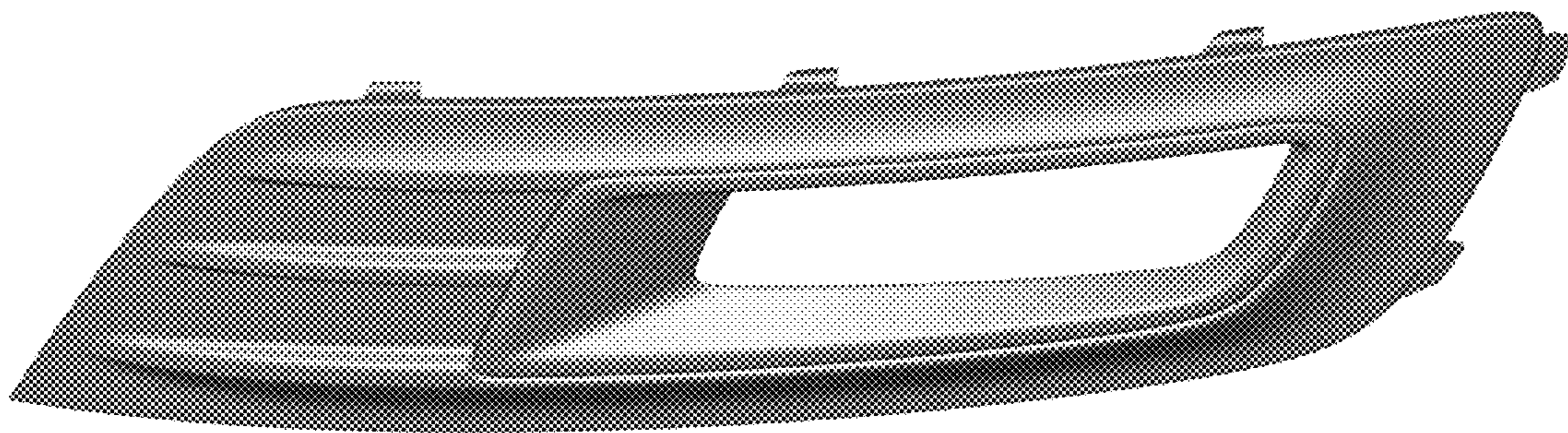
(51) **LOC (10) Cl.** **26-99**

(52) **U.S. Cl.**
USPC **D26/139**

(58) **Field of Classification Search**
USPC D26/28-36, 139; 362/61, 80-83,
362/267-269, 459-468, 475-478, 485-487
CPC F21S 48/00; F21S 48/10; F21S 48/115;
F21S 48/225; F21S 48/1233; F21S 48/1266;
F21S 48/1388; F21S 48/2268; F21V 21/04
See application file for complete search history.

FIG. 1 is a top front perspective view of the left vehicle fog lamp bezel (the right vehicle fog lamp bezel being a mirror image and is not shown);
FIG. 2 is a bottom front perspective view thereof;
FIG. 3 is a top rear perspective view thereof;
FIG. 4 is a front elevational view thereof;
FIG. 5 is a rear elevational view thereof;
FIG. 6 is a left side elevational view thereof;
FIG. 7 is a right side elevational view thereof;
FIG. 8 is a top plan view thereof; and,
FIG. 9 is a bottom plan view thereof.

1 Claim, 9 Drawing Sheets



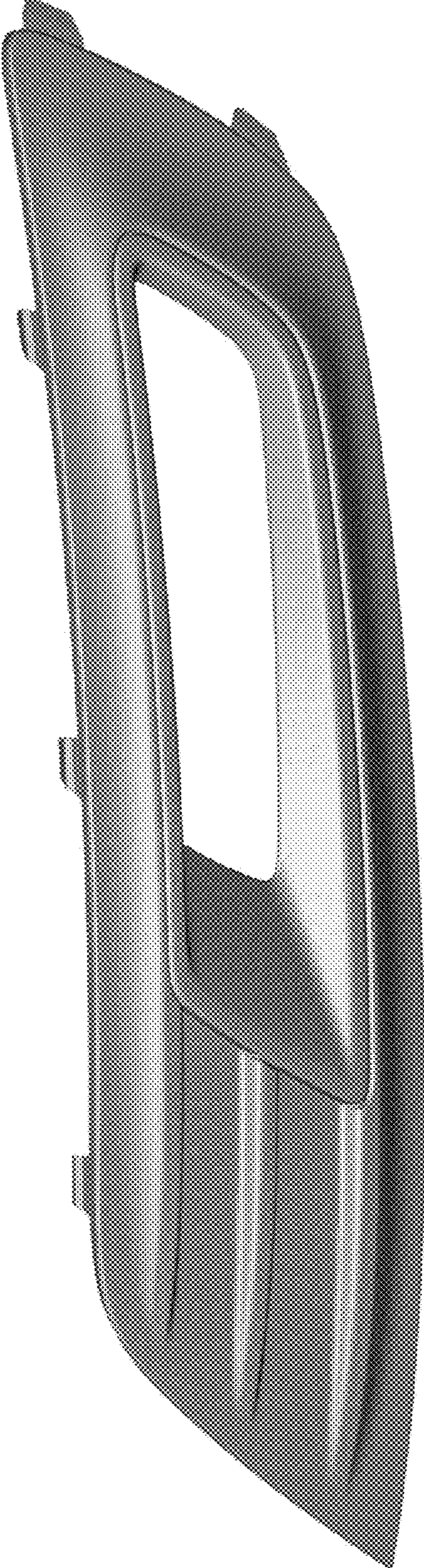


Figure 1



Figure 2

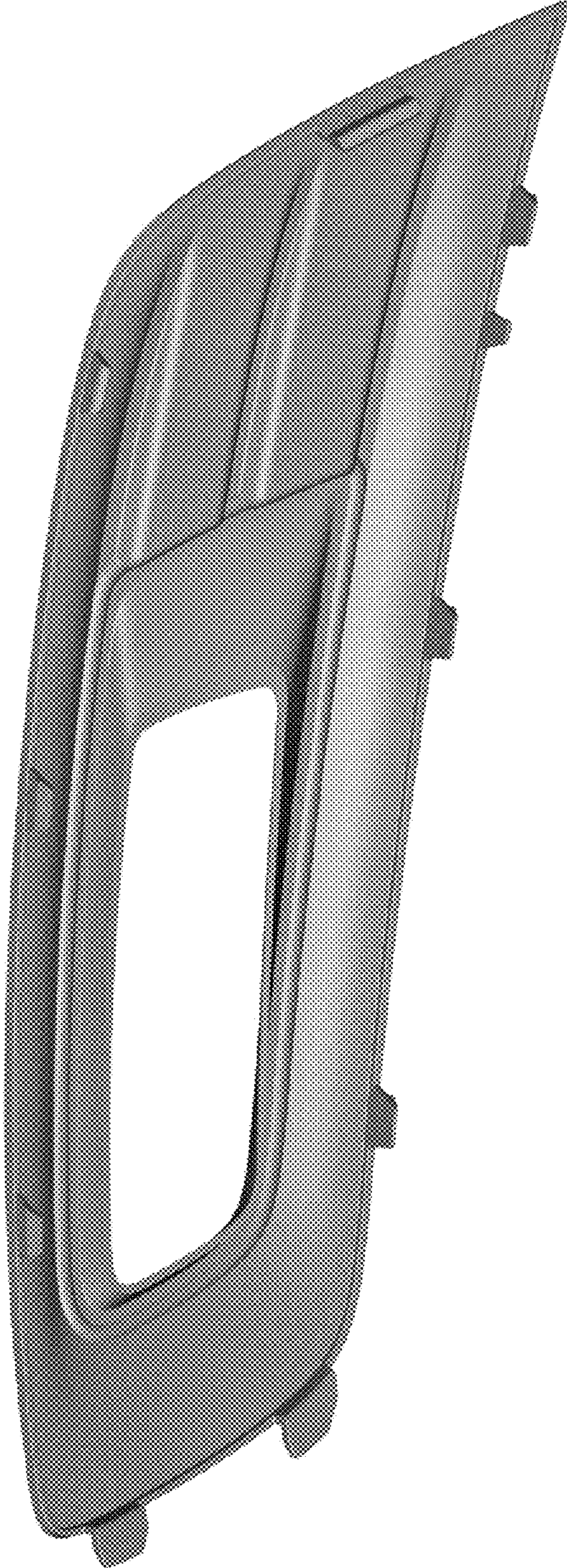


Figure 3

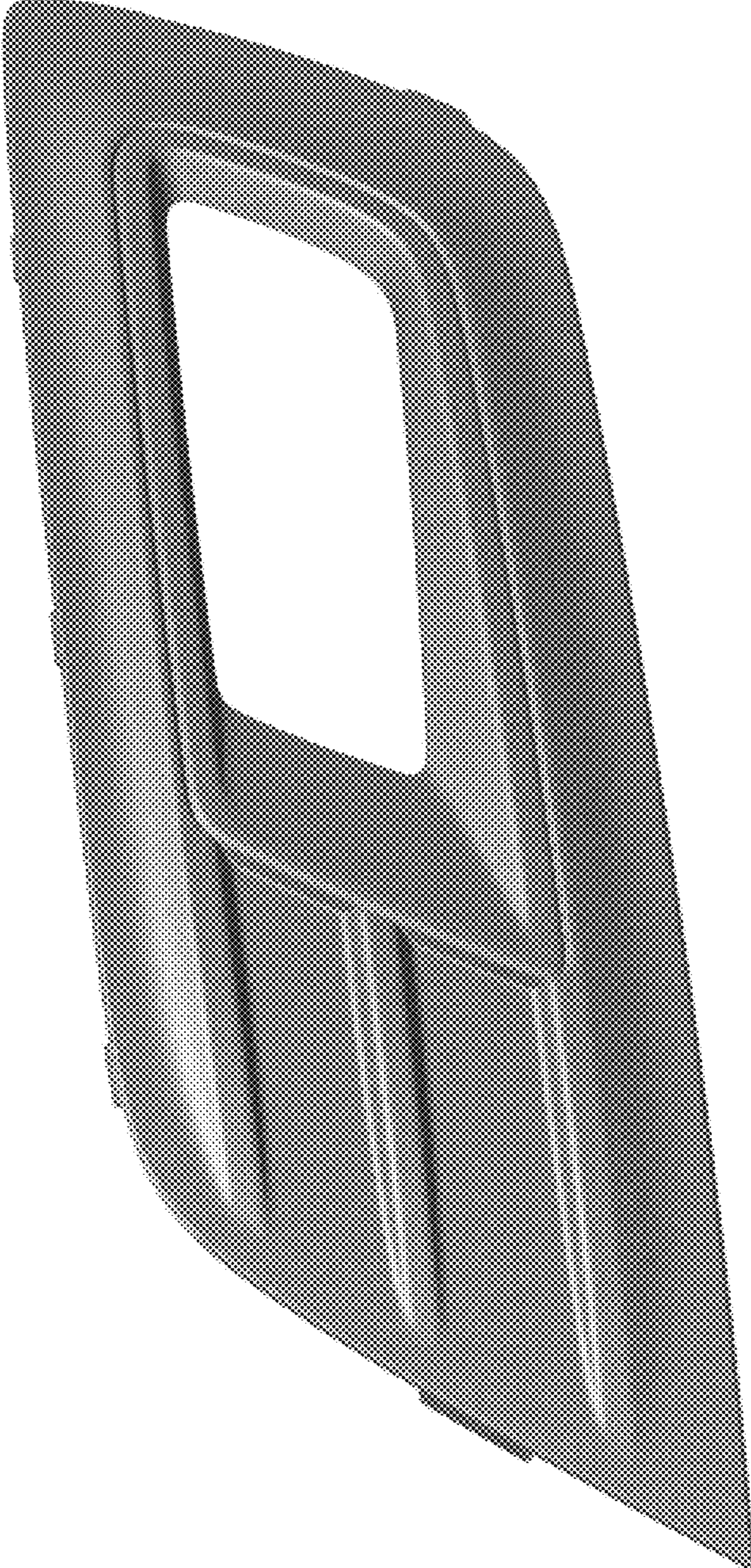


Figure 4

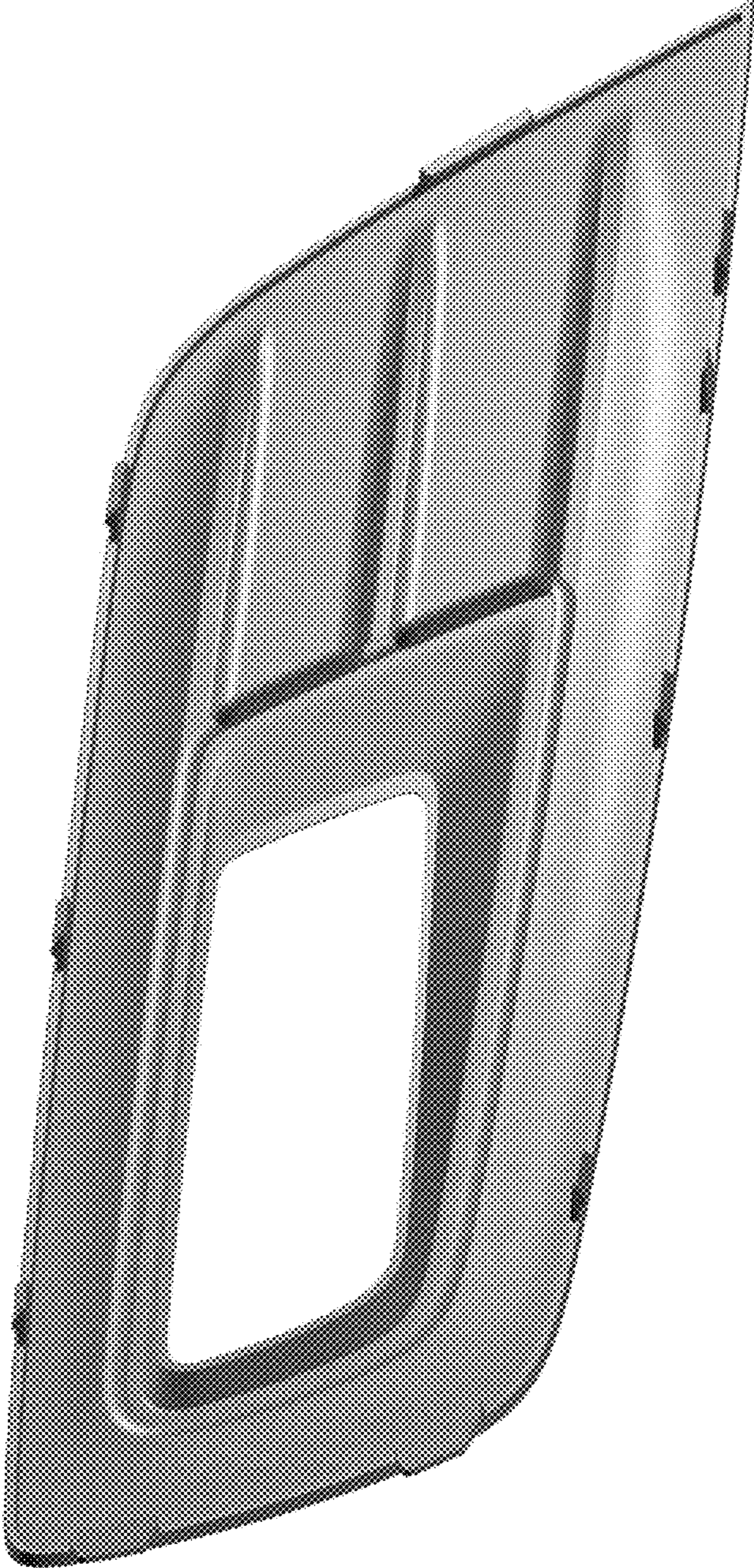


Figure 5

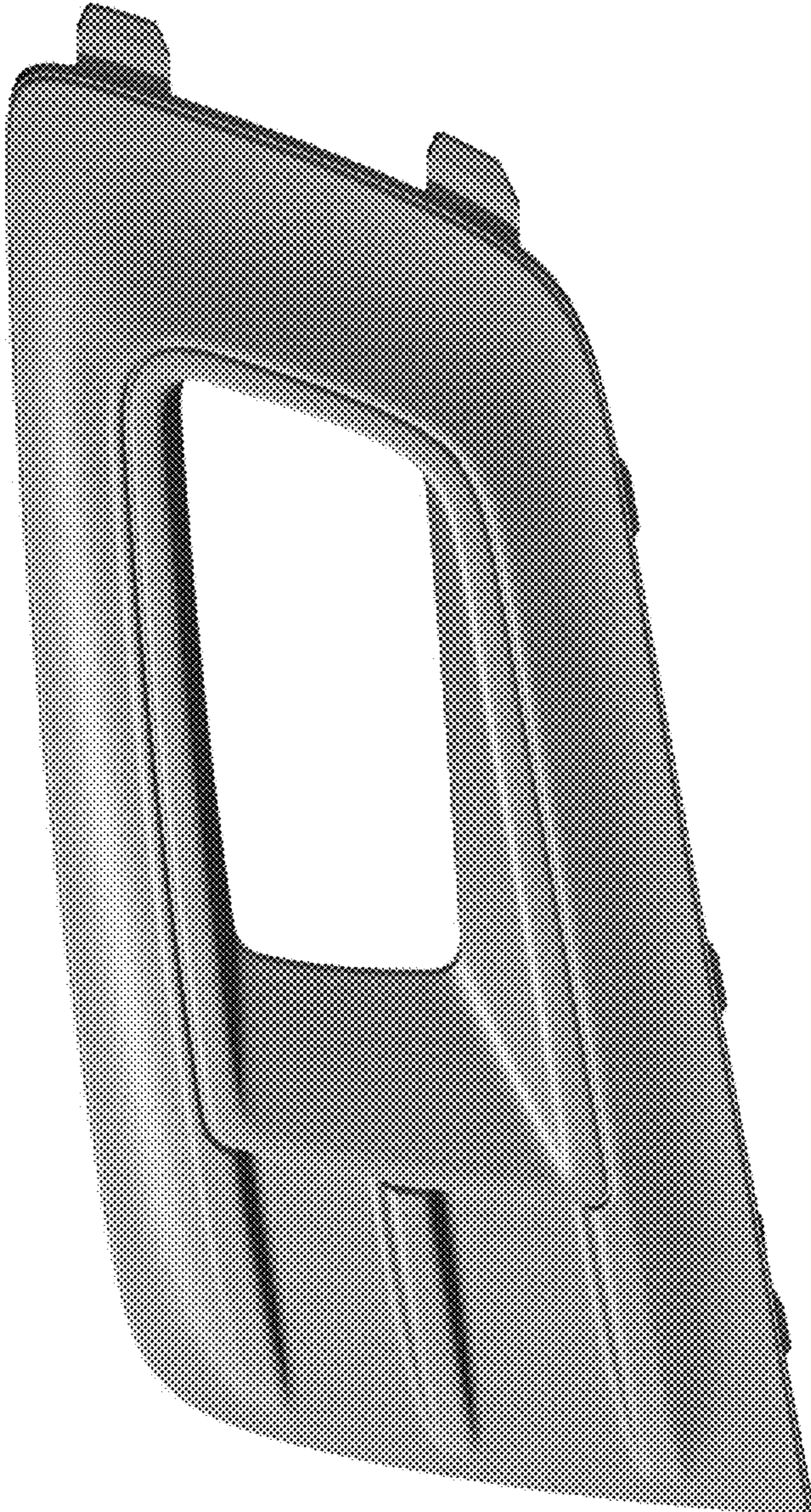


Figure 6



Figure 7

Figure 8

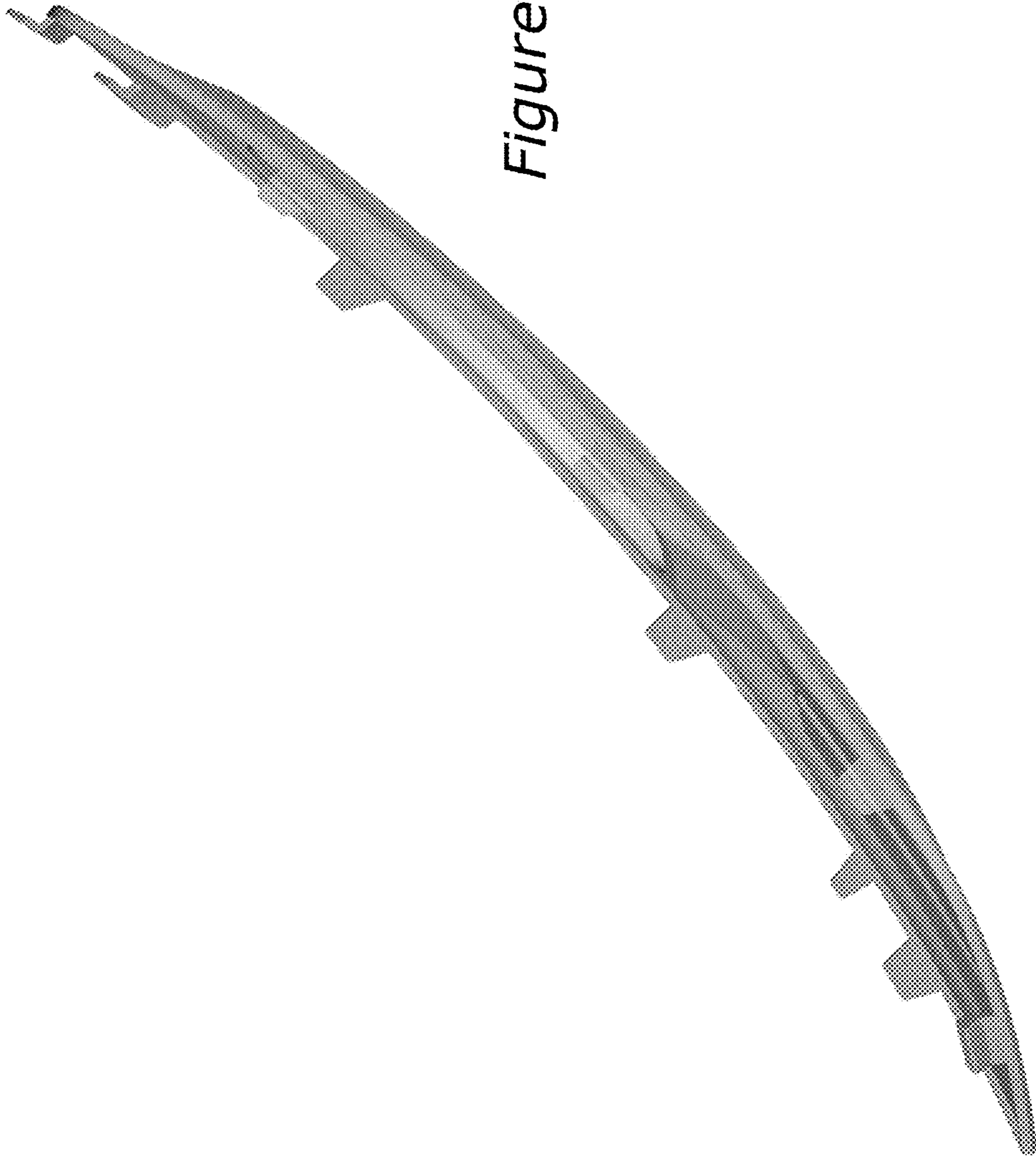


Figure 9

