

US00D761993S

(12) **United States Design Patent**
Kitts

(10) **Patent No.:** **US D761,993 S**

(45) **Date of Patent:** **** Jul. 19, 2016**

(54) **LAMP**

D725,811 S * 3/2015 Quitlet D26/106
D732,724 S * 6/2015 Ng D26/106
D748,844 S * 2/2016 Kern D26/106

(71) Applicant: **Hubbardton Forge LLC**, Castleton, VT
(US)

* cited by examiner

(72) Inventor: **David Kitts**, Rutland, VT (US)

Primary Examiner — Brian N Vinson

(73) Assignee: **Hubbardton Forge LLC** VT (US)

(**) Term: **14 Years**

(57) **CLAIM**

(21) Appl. No.: **29/503,967**

The ornamental design for a lamp, as shown and described.

(22) Filed: **Oct. 1, 2014**

(51) **LOC (10) Cl.** **26-03**

(52) **U.S. Cl.**

USPC **D26/106**

(58) **Field of Classification Search**

USPC D26/24, 93, 67, 106, 110

CPC F21S 6/00; F21S 6/002; F21V 21/02;

F21V 21/116; F21V 21/14; F21W 2121/00;

F21W 2131/30

See application file for complete search history.

(56) **References Cited**

U.S. PATENT DOCUMENTS

D402,391 S * 12/1998 Manarin D26/110

DESCRIPTION

FIG. 1 is a perspective view of the lamp according to the present invention;

FIG. 2 is another perspective view of the lamp thereof;

FIG. 3 front view of the lamp thereof;

FIG. 4 is a back view of the lamp thereof;

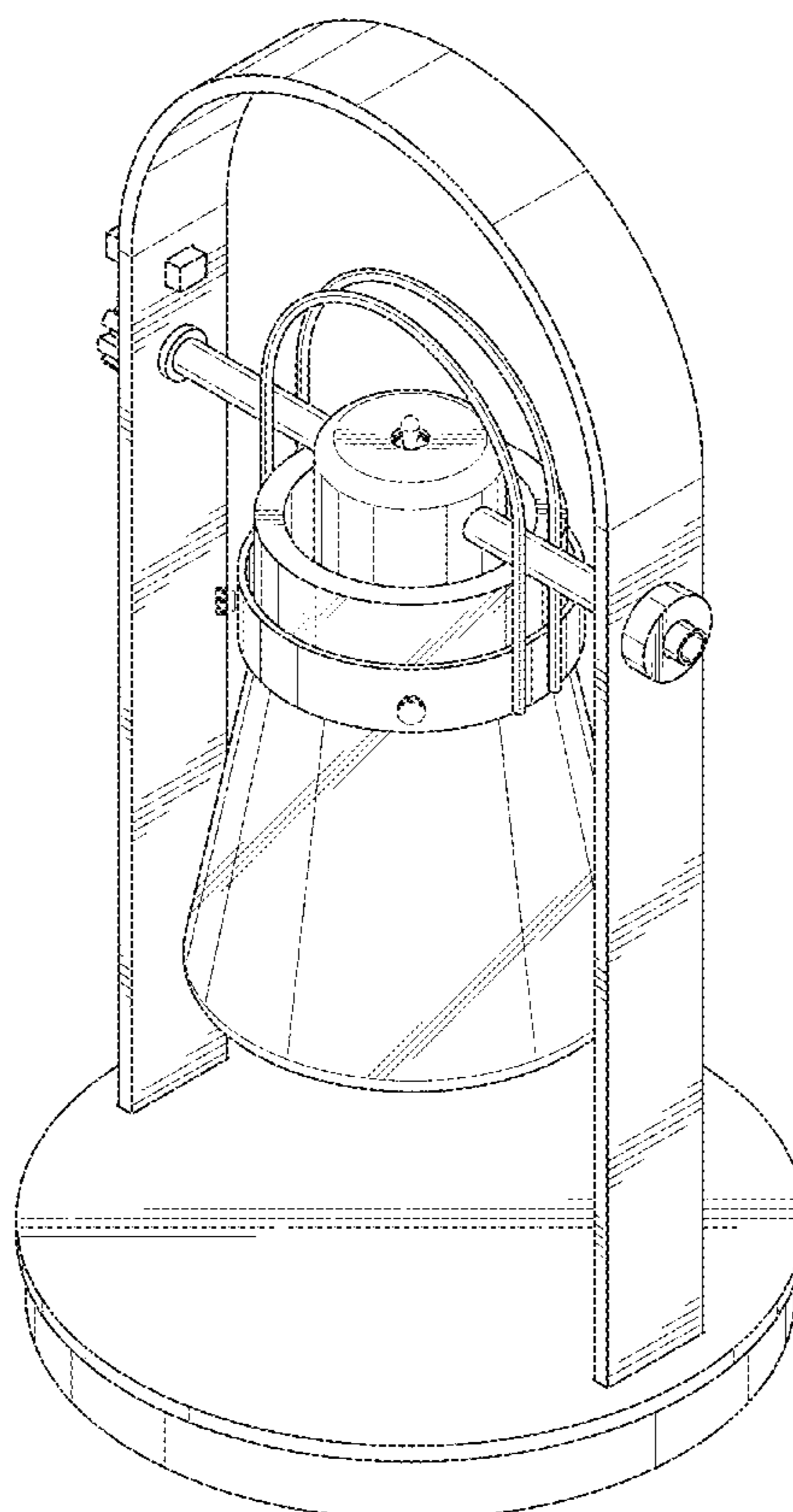
FIG. 5 is a right view of the lamp thereof;

FIG. 6 is a left view of the lamp thereof;

FIG. 7 is a top view of the lamp thereof; and,

FIG. 8 is a bottom view of the lamp thereof, the broken-line disclosure representing an unclaimed portion of the lamp.

1 Claim, 8 Drawing Sheets



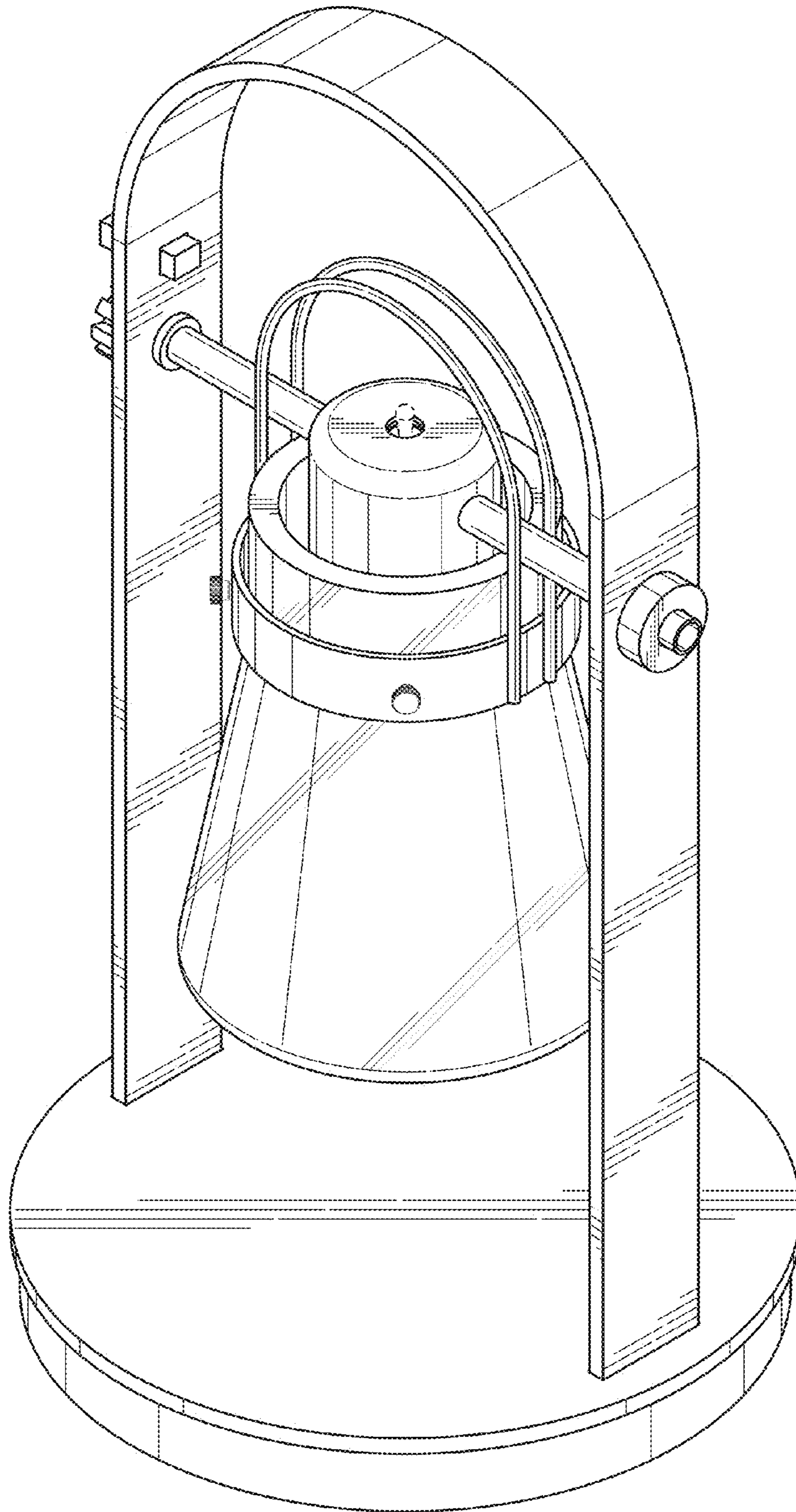


FIG. 1

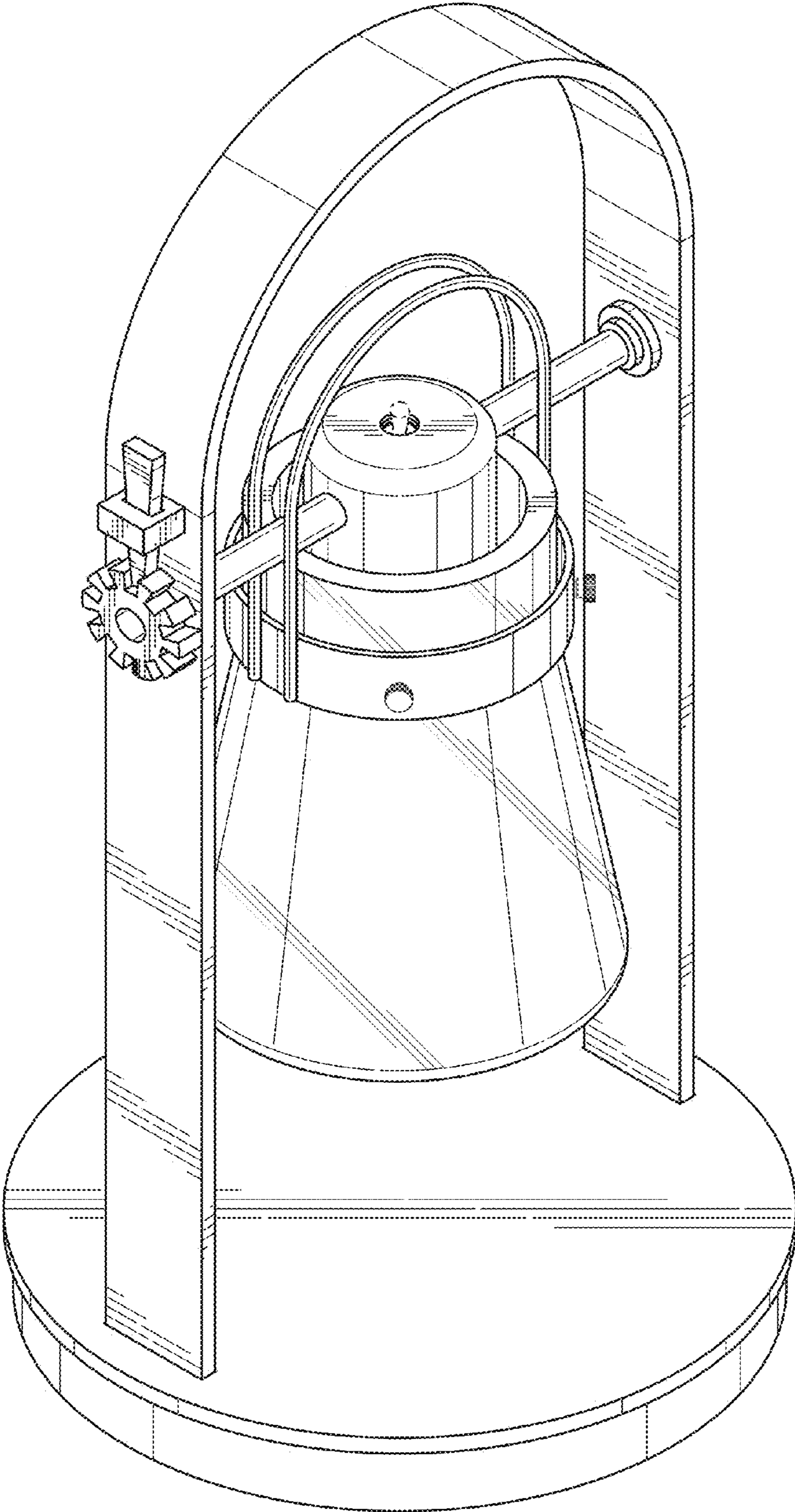


FIG. 2

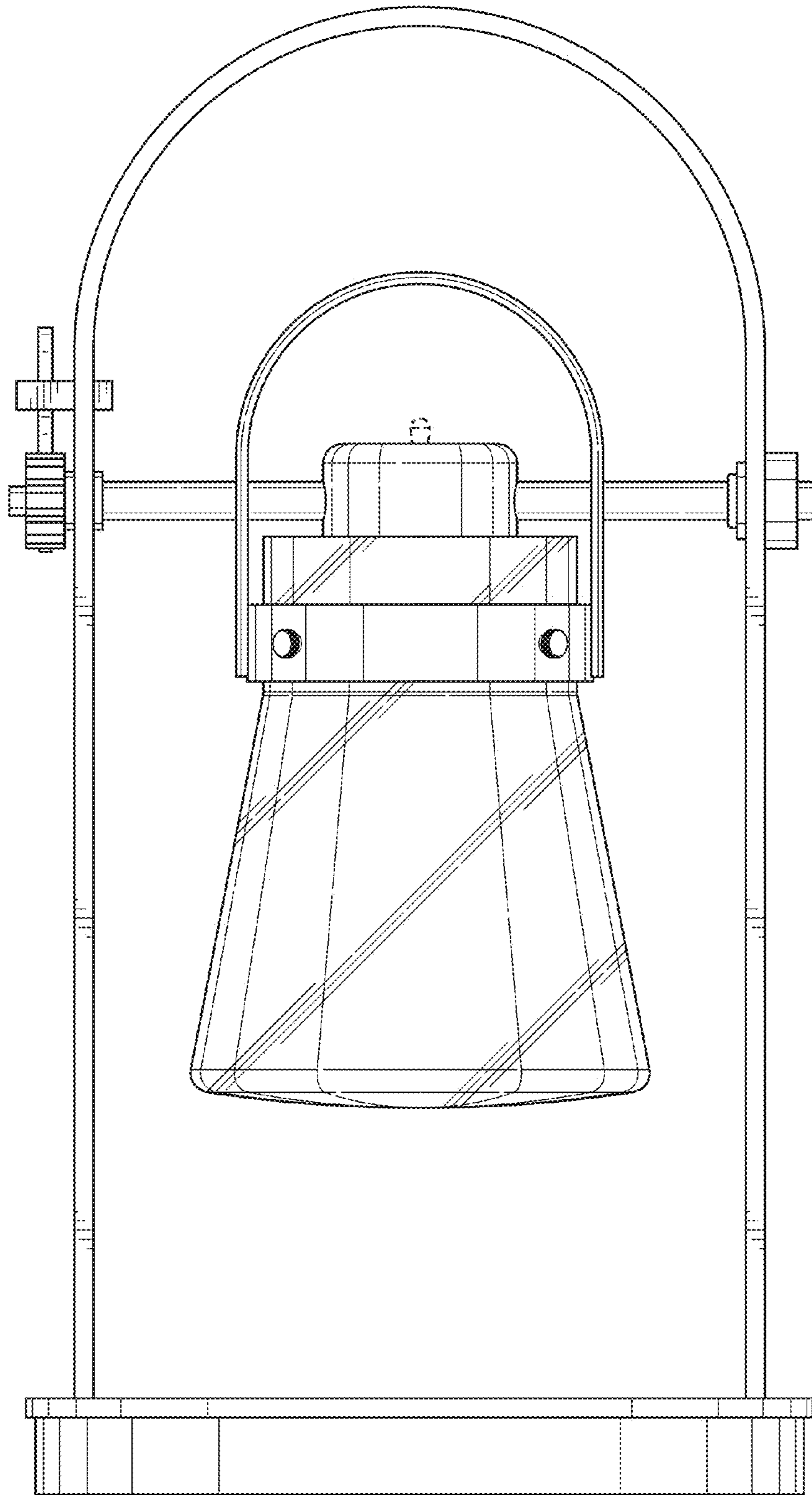


FIG. 3

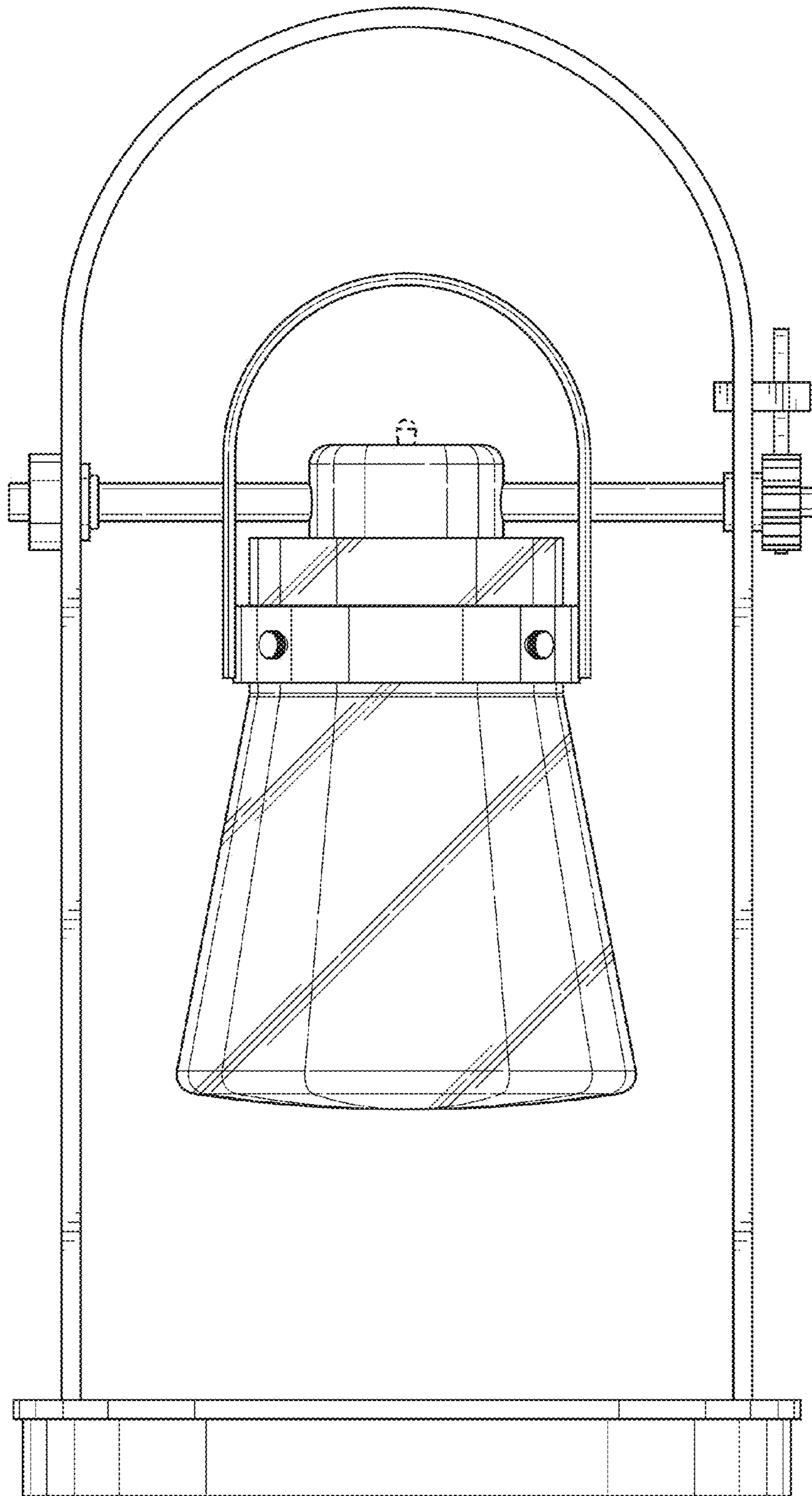


FIG. 4

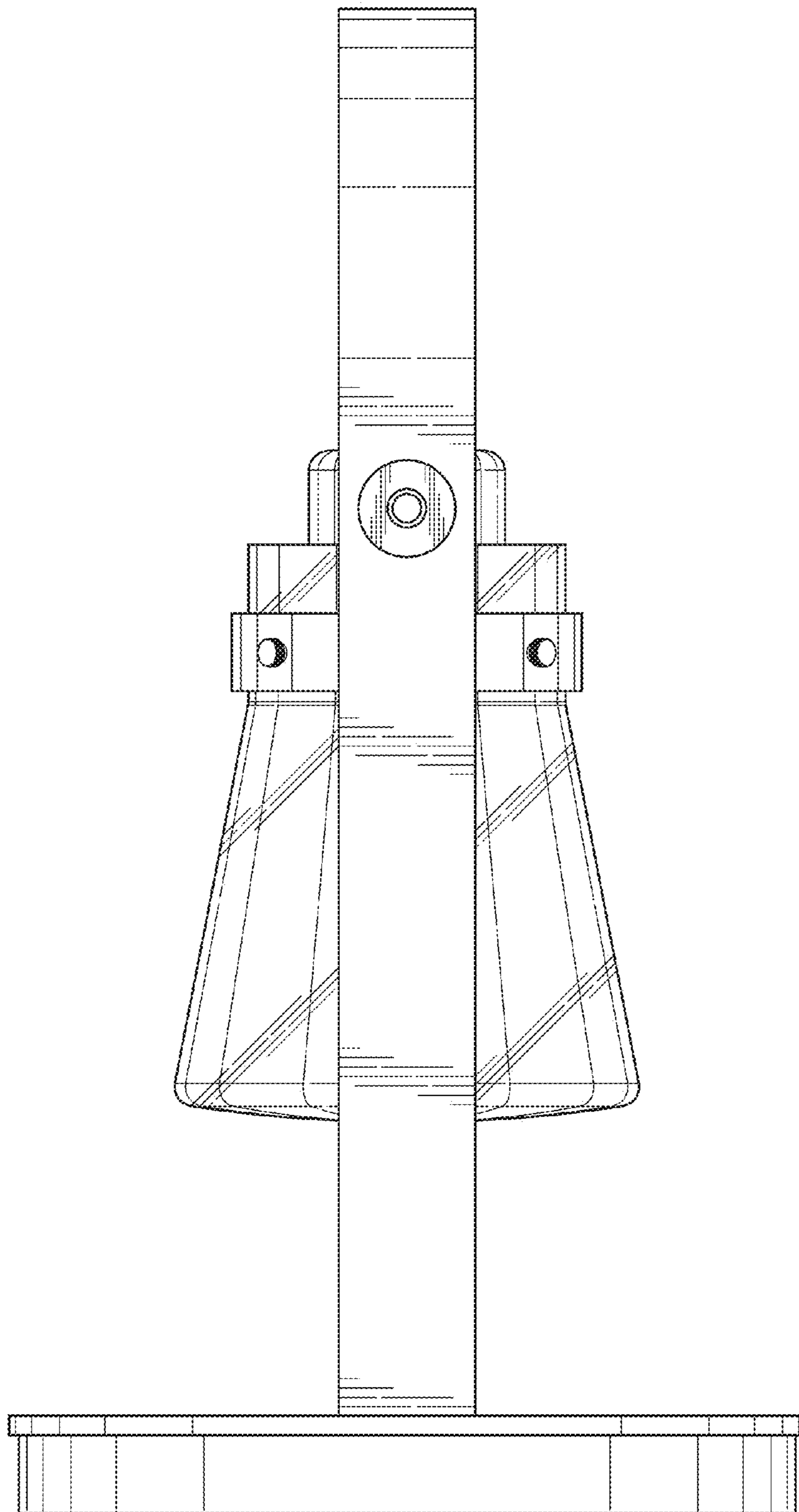


FIG. 5

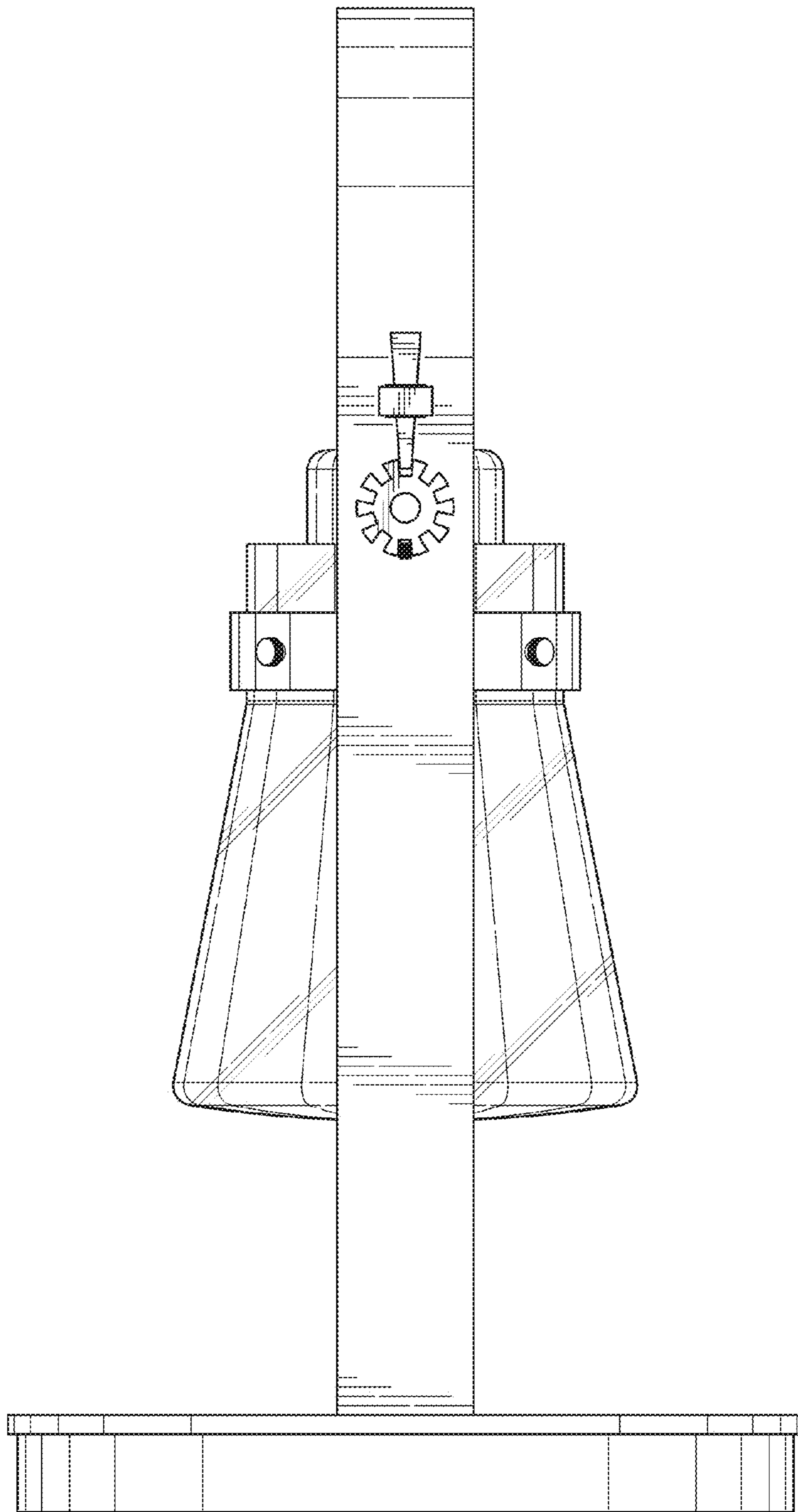


FIG. 6

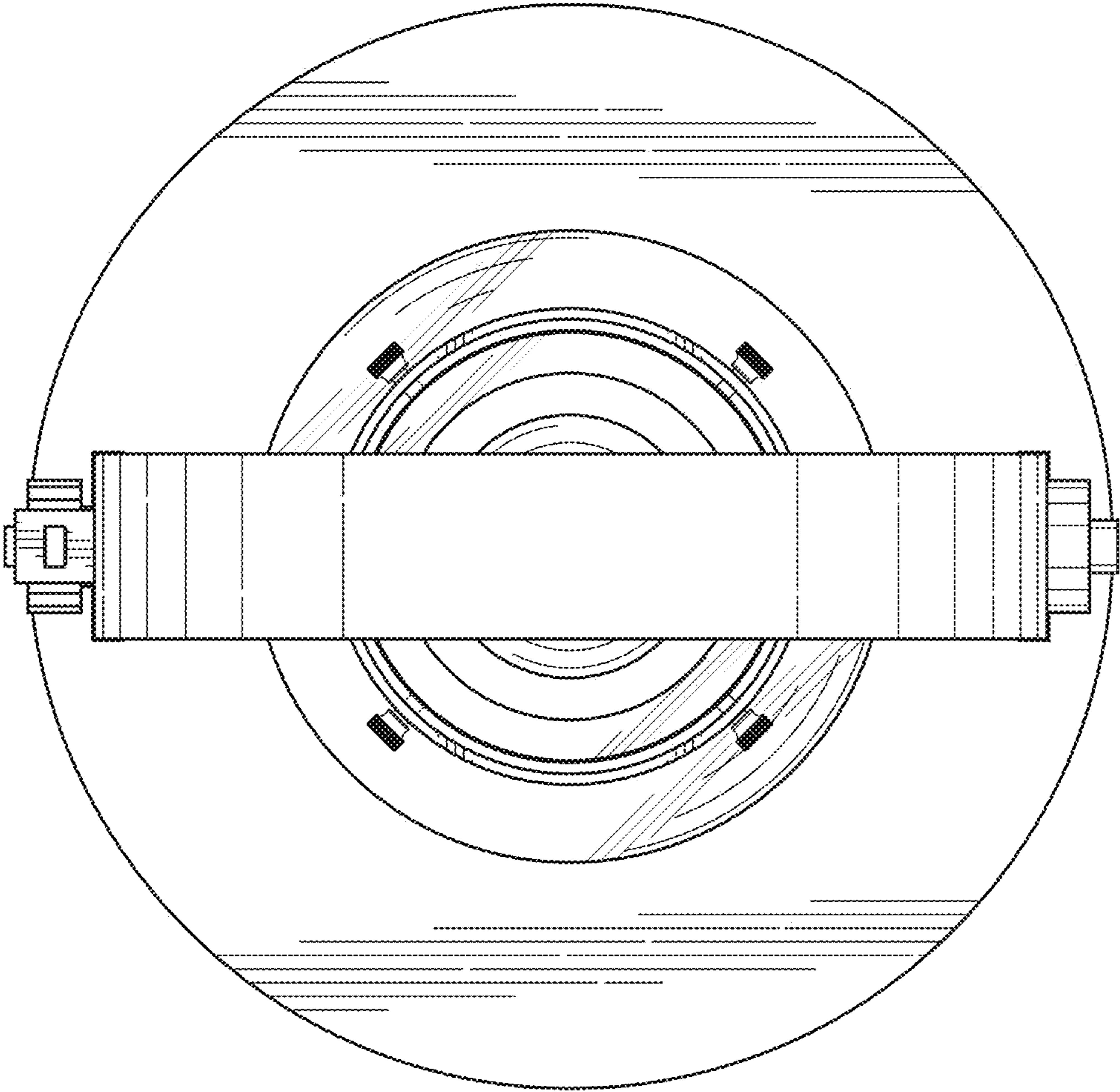


FIG. 7

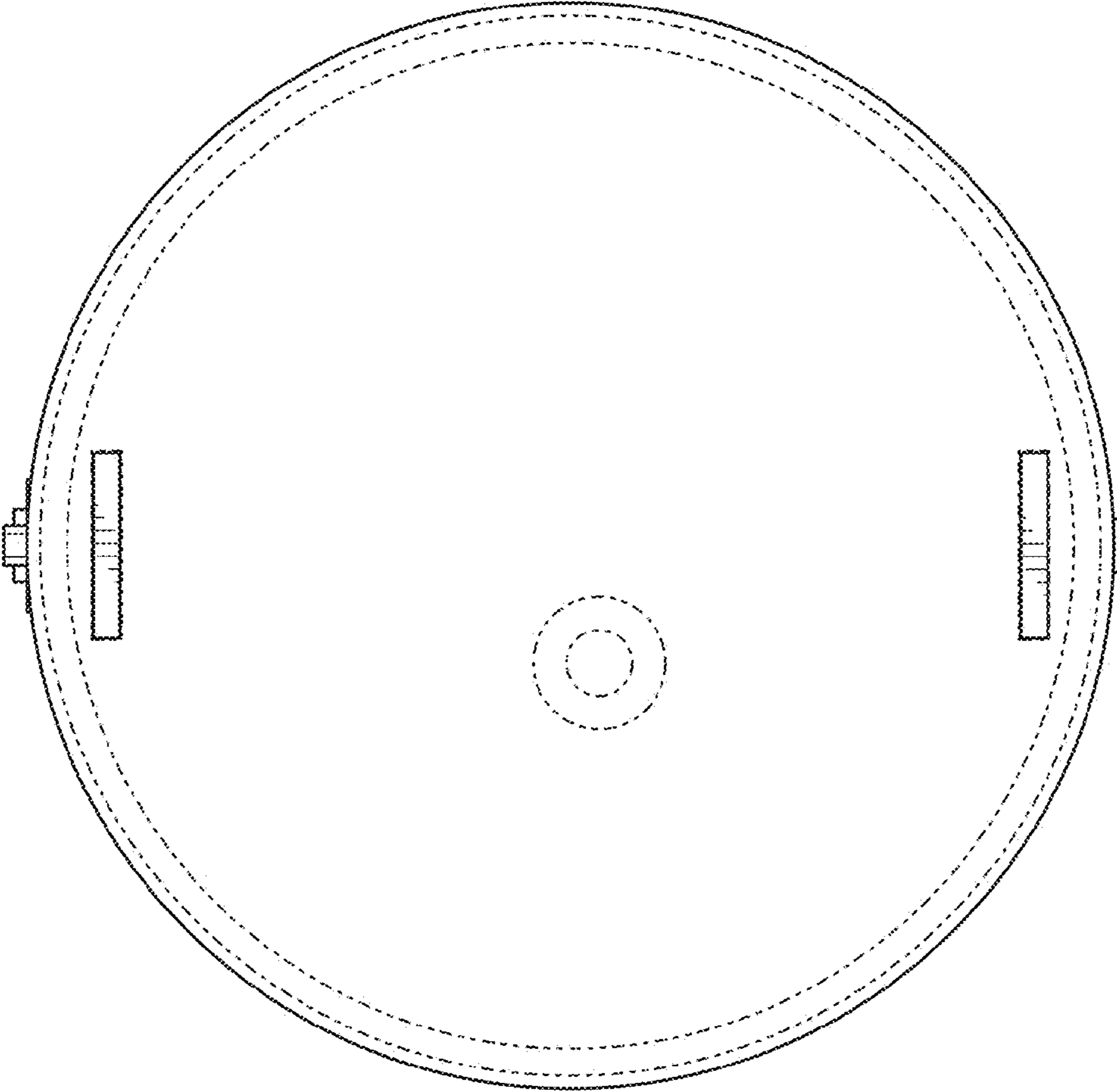


FIG. 8