

US00D761992S

(12) **United States Design Patent**  
**Ng**

(10) **Patent No.:** **US D761,992 S**  
(45) **Date of Patent:** **\*\* Jul. 19, 2016**

(54) **LAMP**

(71) Applicant: **Edmund Ng**, Monrovia, CA (US)

(72) Inventor: **Edmund Ng**, Monrovia, CA (US)

(73) Assignee: **KONCEPT TECHNOLOGIES, INC.**,  
Monrovia, CA (US)

(\*\*) Term: **14 Years**

(21) Appl. No.: **29/526,069**

(22) Filed: **May 6, 2015**

(51) **LOC (10) Cl.** ..... **26-03**

(52) **U.S. Cl.**  
USPC ..... **D26/88; D26/90**

(58) **Field of Classification Search**  
USPC ..... D26/63, 65, 76, 80-91, 118  
CPC ..... F21S 8/06; F21S 8/061; F21S 8/065;  
F21S 8/068; F21S 8/063; F21V 3/0418;  
F21V 3/0427; F21V 3/0436; F21V 3/0445;  
F21V 21/008; F21V 21/104  
See application file for complete search history.

(56) **References Cited**

U.S. PATENT DOCUMENTS

D129,922 S *	10/1941	Irmischer	362/225
D155,064 S *	9/1949	Baker	D26/86
D220,206 S *	3/1971	Hamburger	D26/75
3,937,948 A *	2/1976	Allison	F21S 8/06 362/300
D240,653 S *	7/1976	Eftekhar	D26/80
4,712,165 A *	12/1987	Cetrone	F21S 2/00 362/147
D313,861 S *	1/1991	Michael	D26/120
5,386,353 A *	1/1995	Battaglia	F21S 2/00 362/222
D412,999 S *	8/1999	Herst	D26/76
D477,105 S *	7/2003	Herst	D26/76
D481,484 S *	10/2003	Cuevas	D26/84
6,769,785 B1 *	8/2004	Herst	F21V 21/00 174/63

D500,878 S *	1/2005	Lewis	D26/76
D523,986 S *	6/2006	Waycaster	D26/76
D536,468 S *	2/2007	Crosby	D26/84
D620,166 S *	7/2010	Sabernig	D26/63
D624,671 S *	9/2010	Greene	D26/25
D653,794 S *	2/2012	Friedman	D26/130
D693,045 S *	11/2013	Kirschhoffer	D26/88
D738,557 S *	9/2015	Colombo	D26/85
2008/0253116 A1 *	10/2008	Liao	F21S 6/002 362/235
2010/0220497 A1 *	9/2010	Ngai	G02B 6/002 362/610
2013/0027927 A1 *	1/2013	Wegger	F21S 8/06 362/235
2013/0329424 A1 *	12/2013	Clark	F21S 2/005 362/235
2015/0070883 A1 *	3/2015	Clark	F21S 2/005 362/219

\* cited by examiner

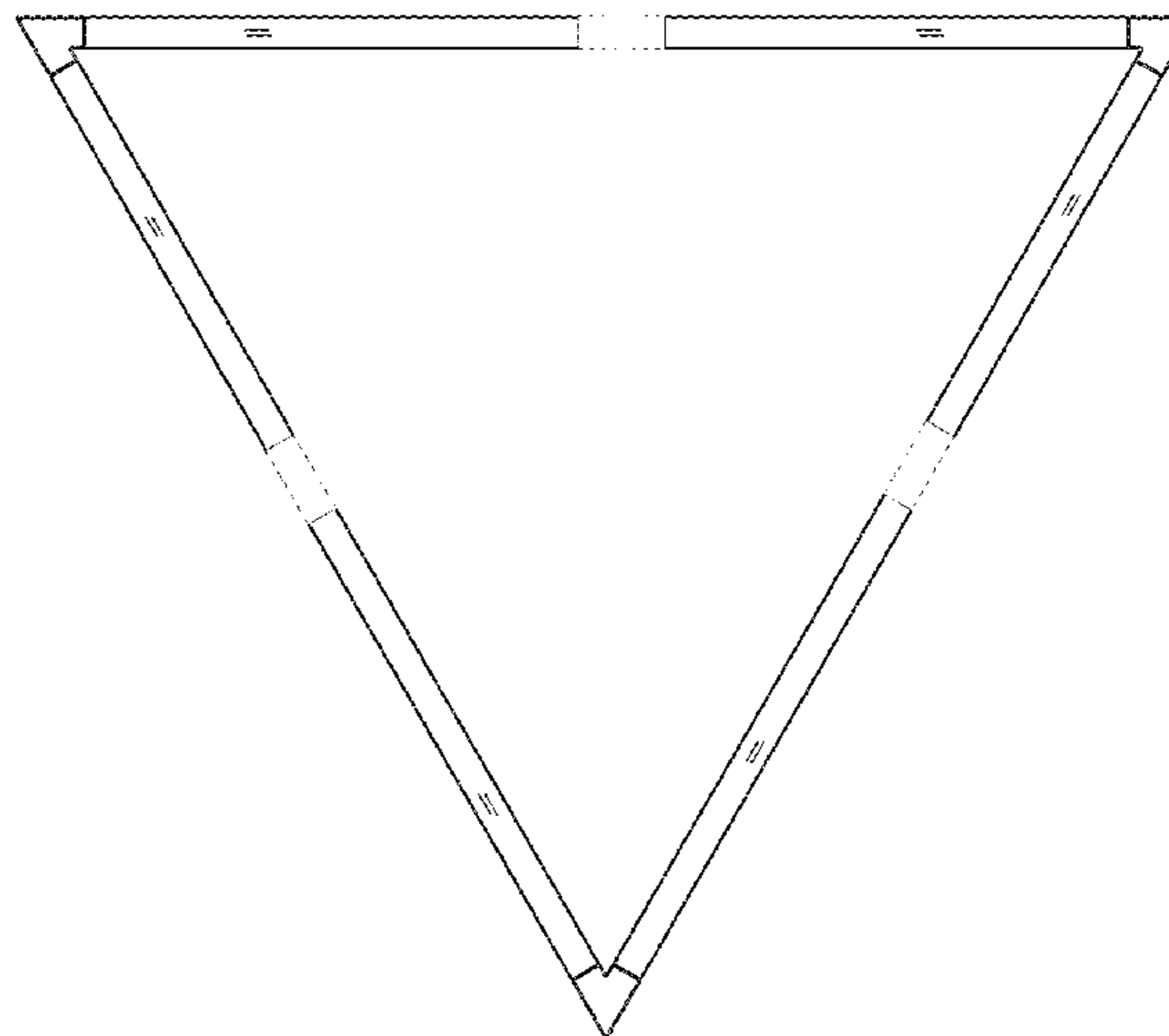
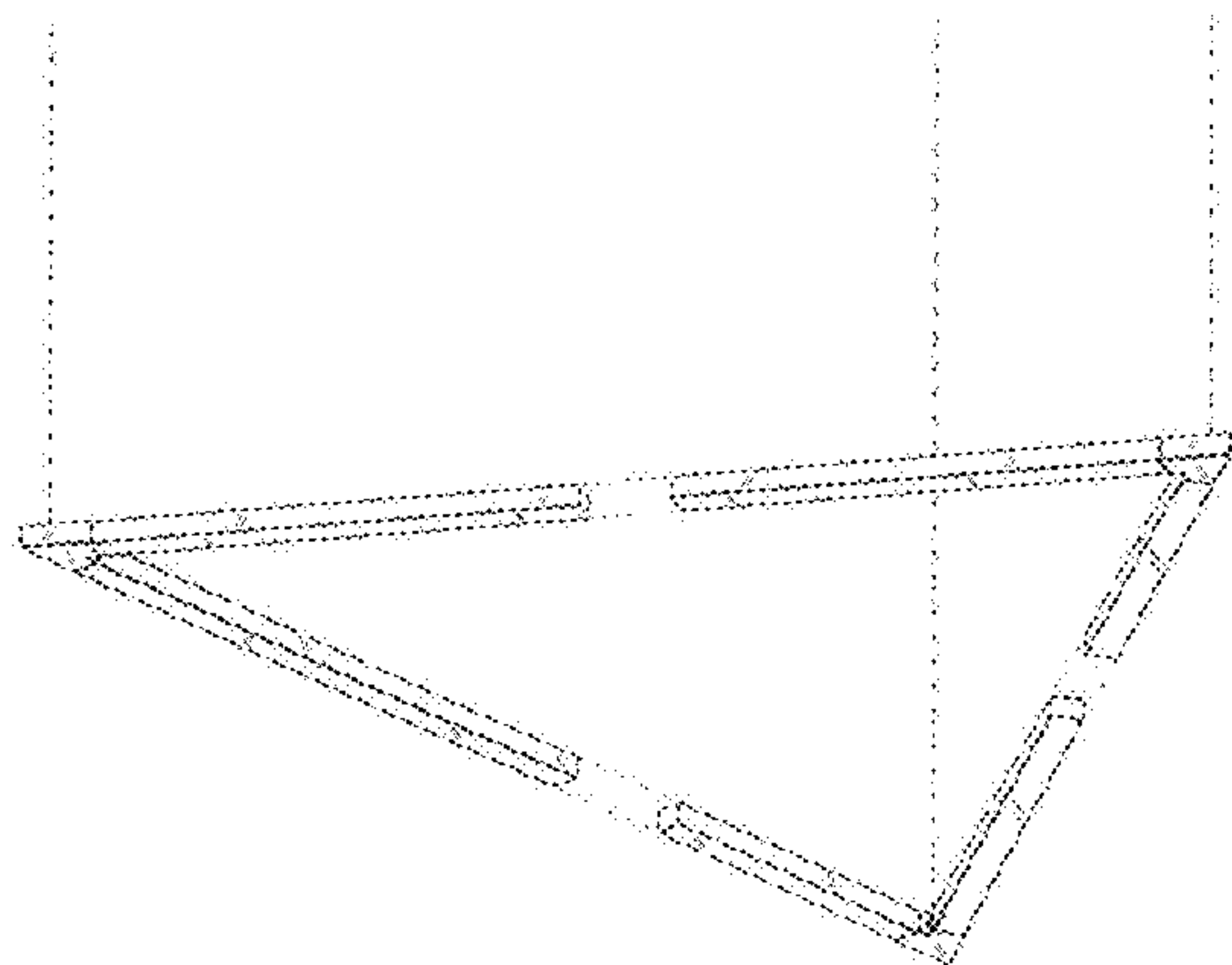
*Primary Examiner* — Clare E Heflin  
(74) *Attorney, Agent, or Firm* — Steins & Associates, P.C.

(57) **CLAIM**  
What is claimed is the ornamental design for a lamp, as shown and described.

**DESCRIPTION**

FIG. 1 is a bottom perspective view of the lamp;  
FIG. 2 is a top view thereof;  
FIG. 3 is a bottom view thereof;  
FIG. 4 is a front view thereof;  
FIG. 5 is a back view thereof;  
FIG. 6 is a left side view thereof; and,  
FIG. 7 is a right side view thereof.  
The wires suspending the lamp are shown in broken lines and form no part of the claimed design. Furthermore, segments of the lamp have been broken away in some of the figures to indicate that no particular length is claimed. The portions of the lamp shown in broken lines forms no part of the claimed design.

**1 Claim, 7 Drawing Sheets**



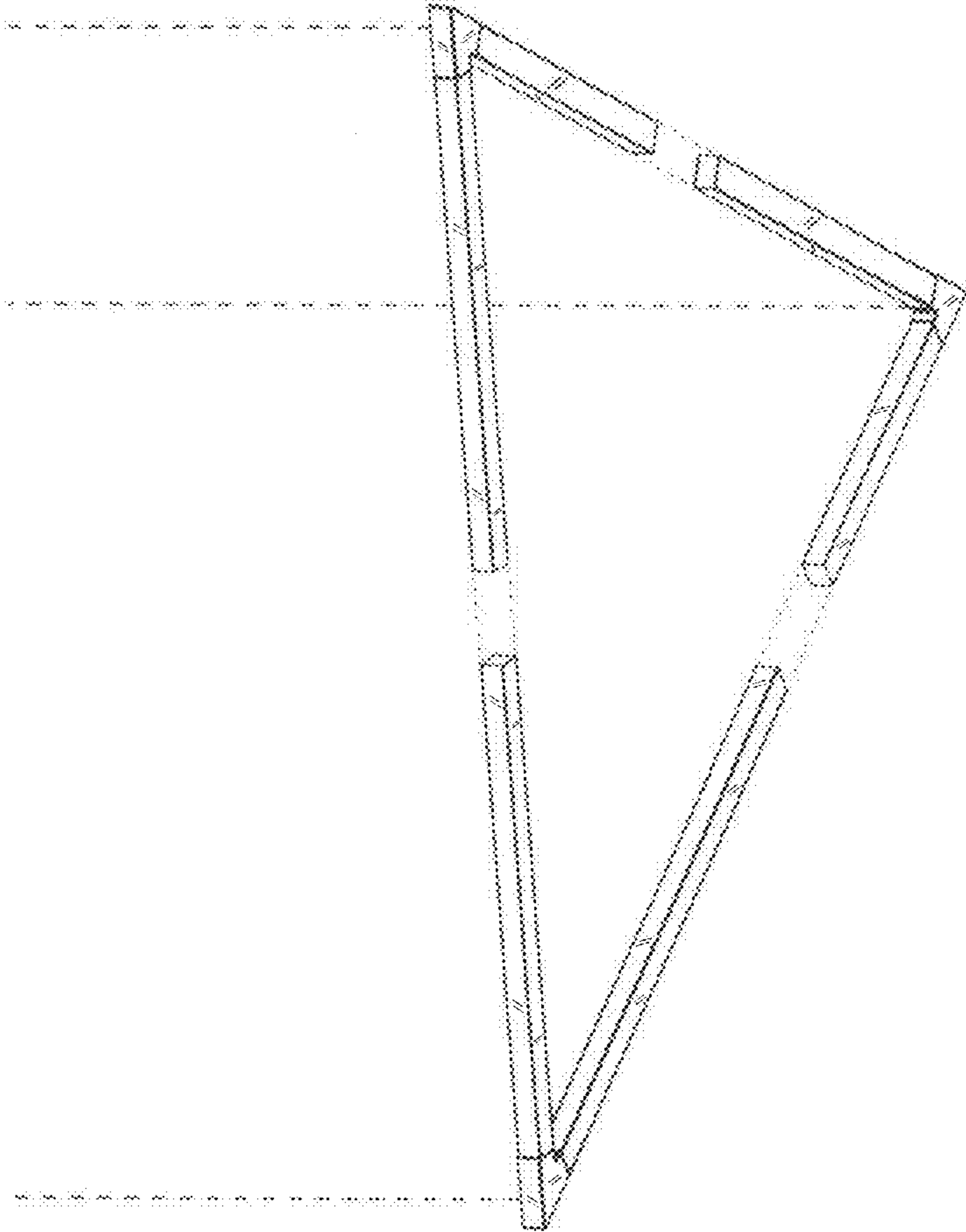


FIG. 1

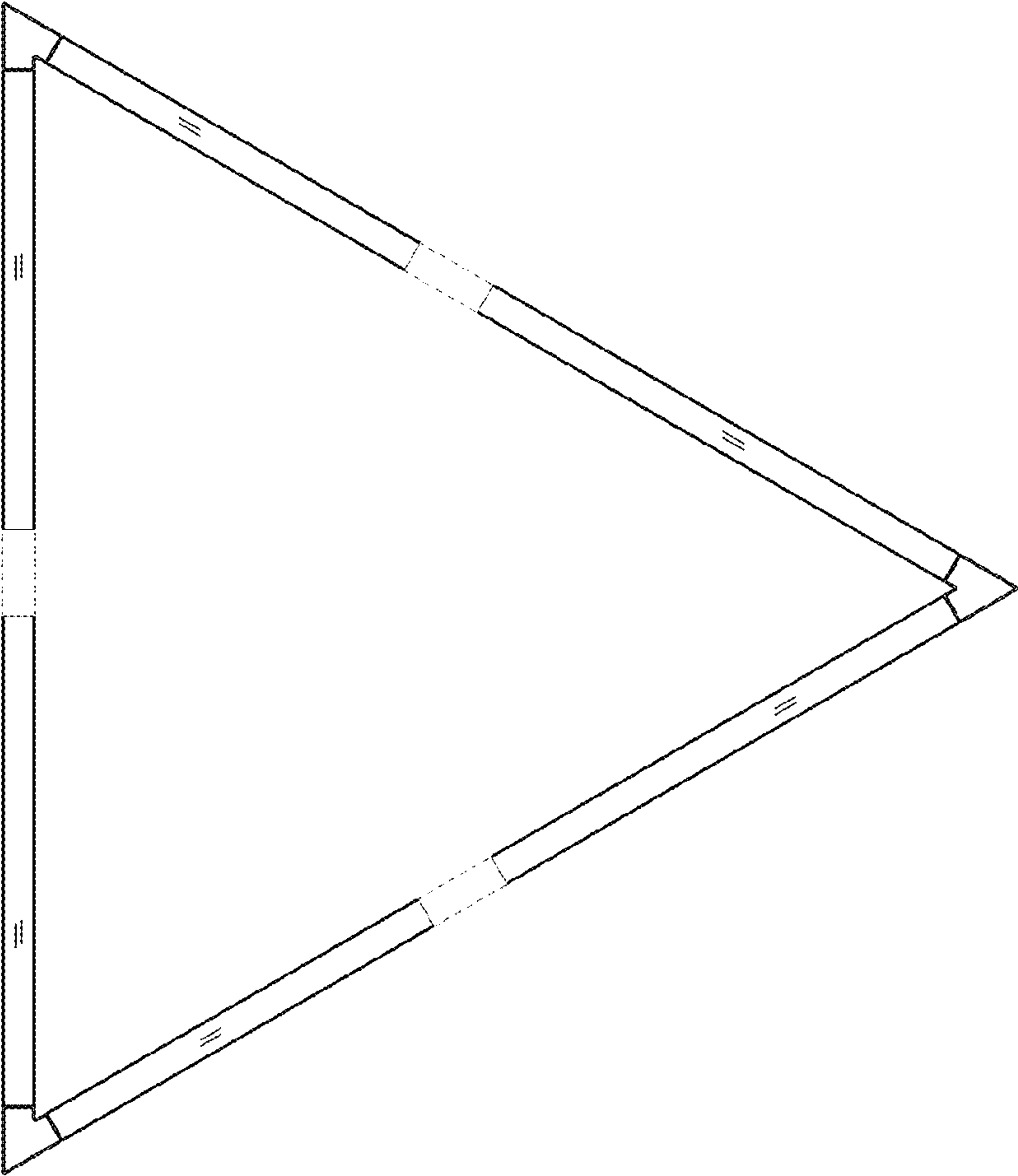


FIG. 2

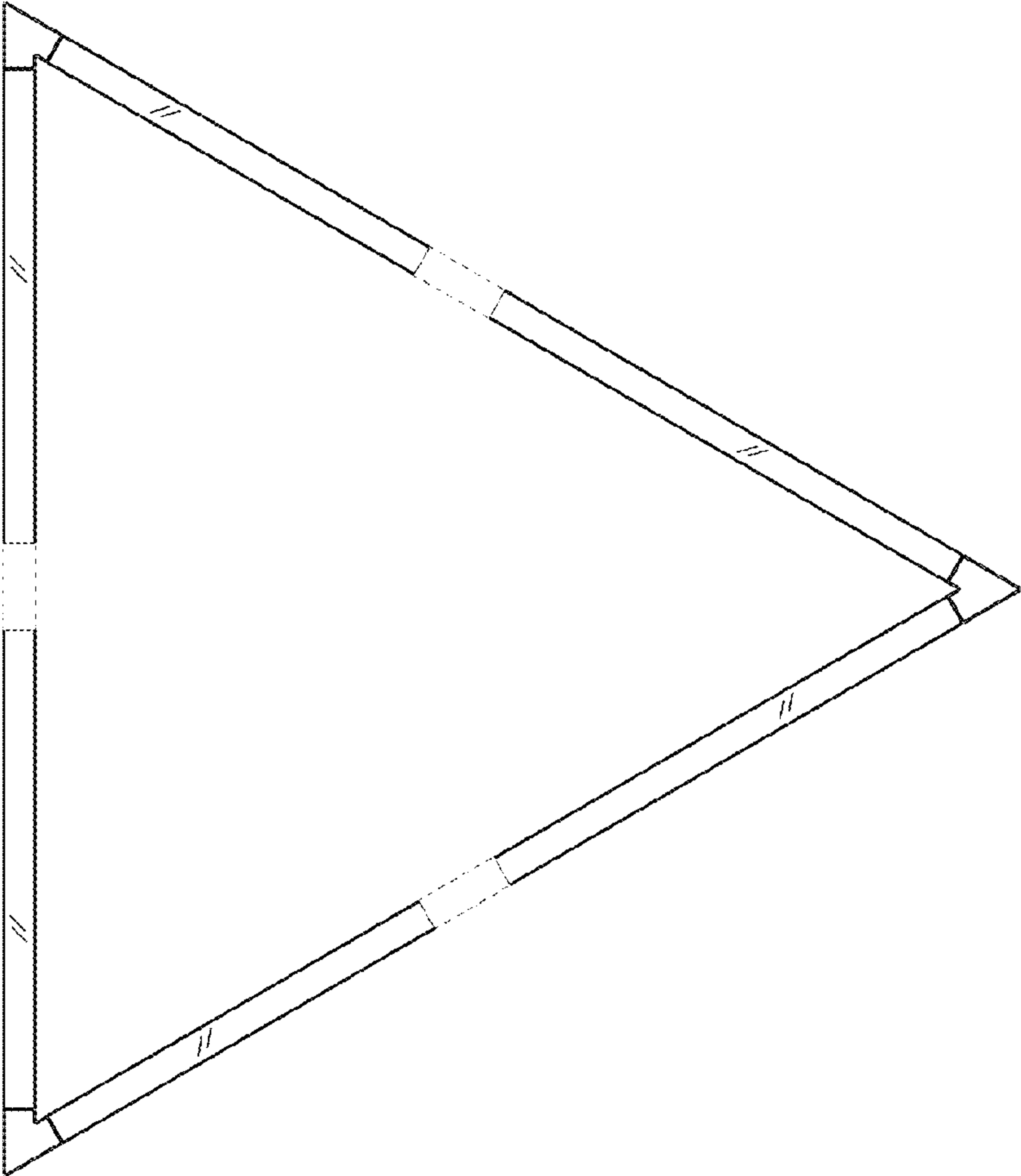


FIG. 3

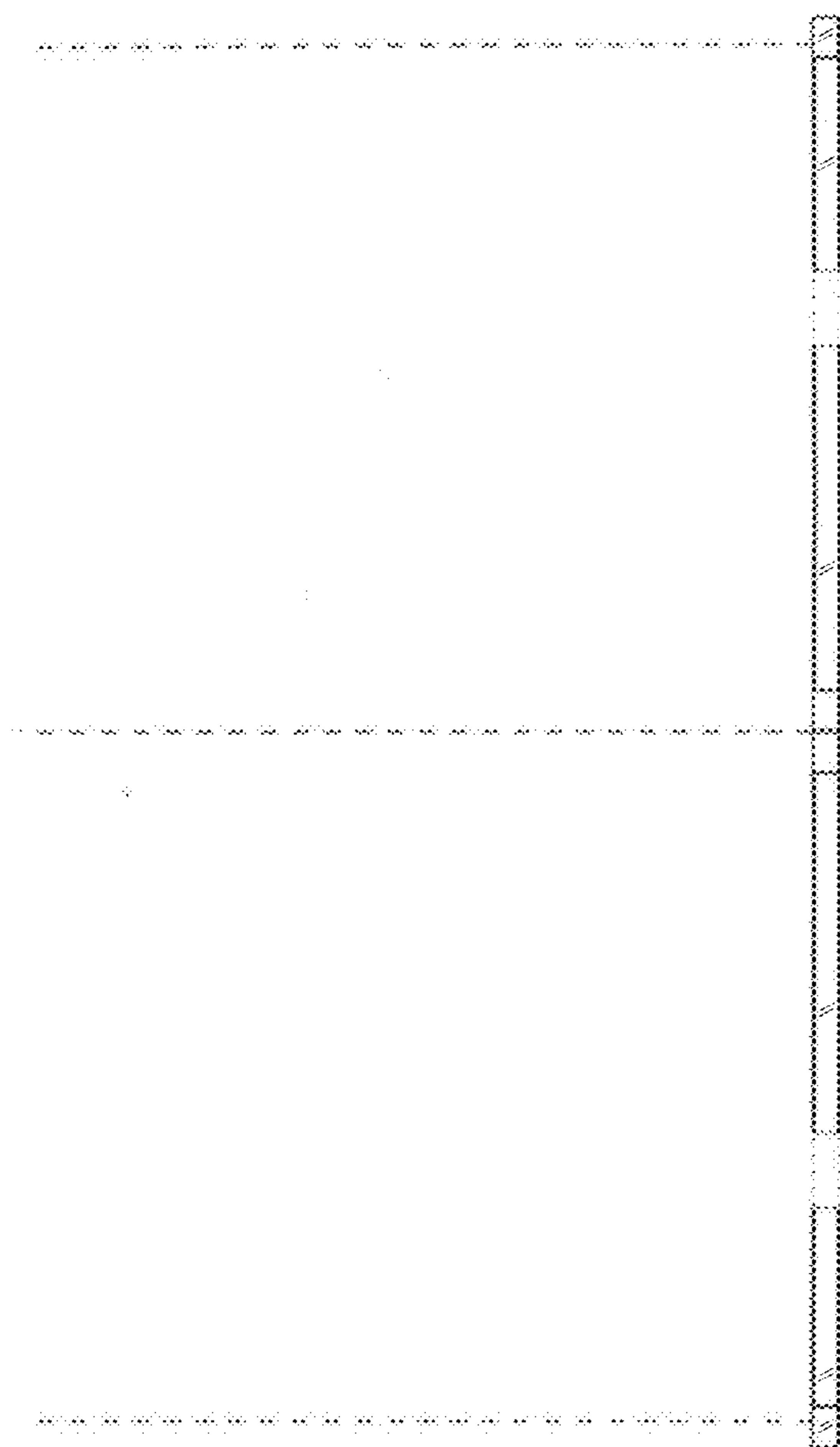


FIG. 4

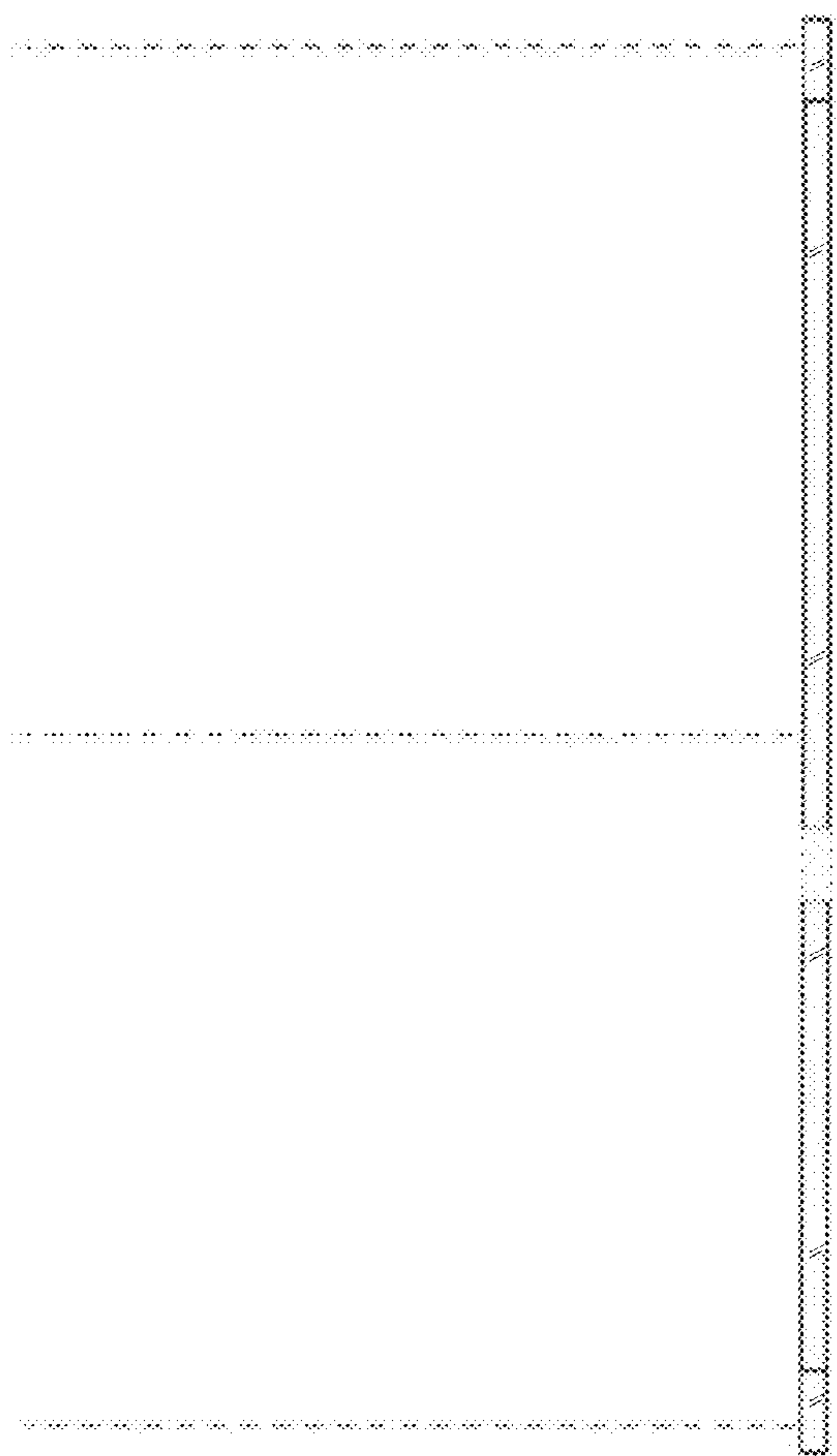


FIG. 5

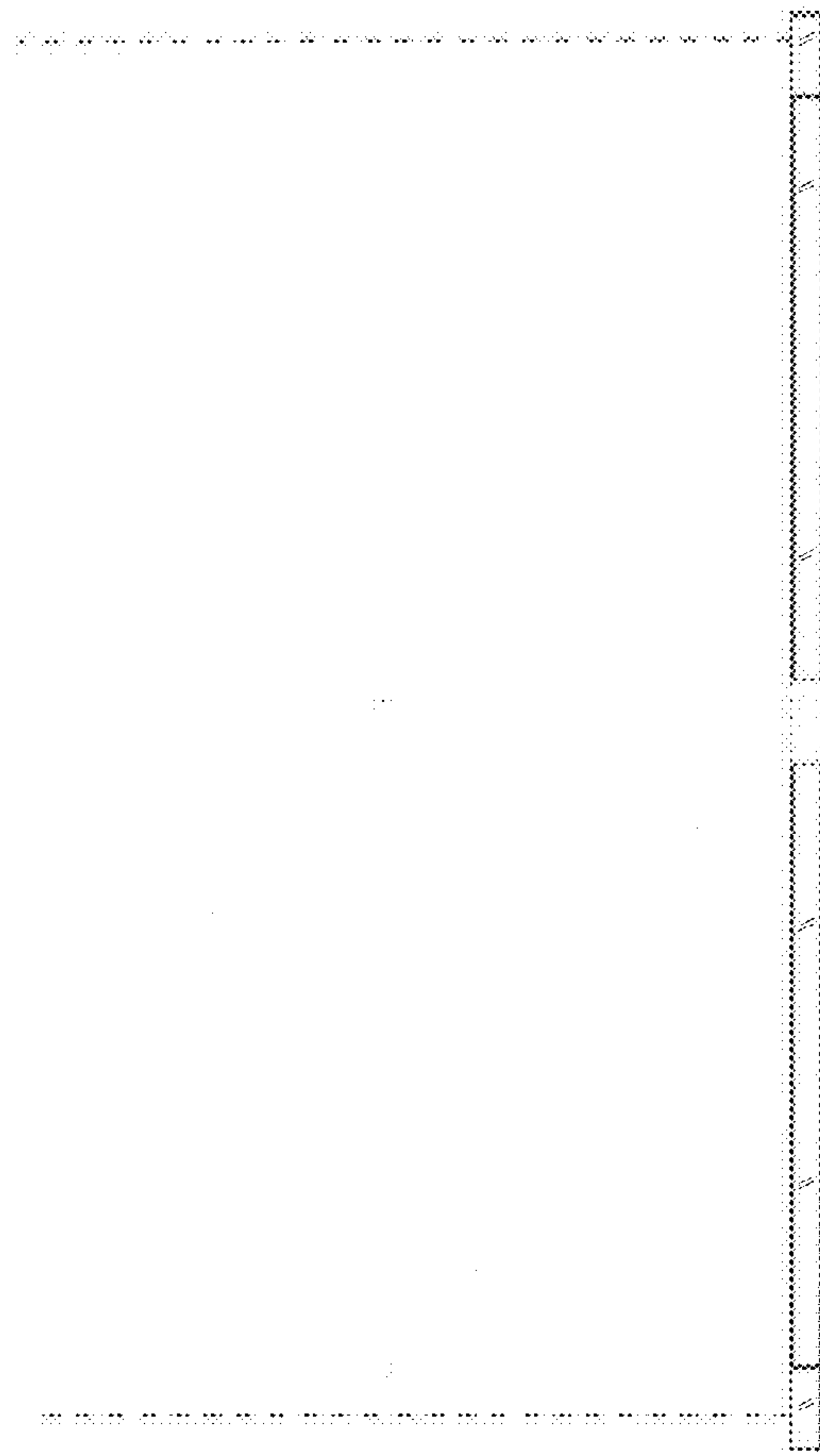


FIG. 6

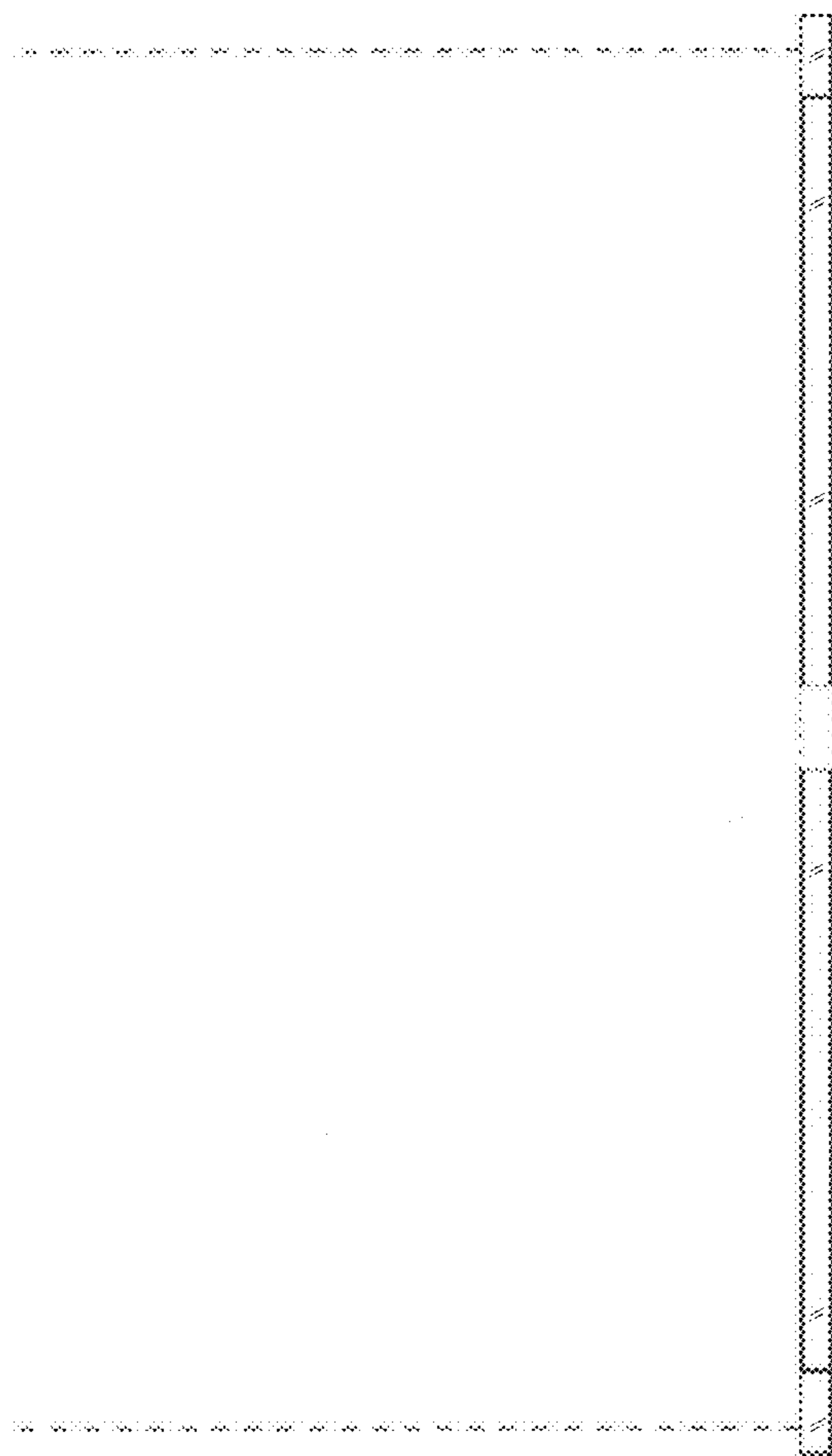


FIG. 7