



US00D761991S

(12) **United States Design Patent**
Clark et al.

(10) **Patent No.:** **US D761,991 S**
(45) **Date of Patent:** **** Jul. 19, 2016**

- (54) **Y-SHAPED LIGHT FIXTURE**
- (71) Applicant: **3form, LLC**, Salt Lake City, UT (US)
- (72) Inventors: **W. Bruce Clark**, Redmond, WA (US);
Caleb L. Patterson, Seattle, WA (US)
- (73) Assignee: **3Form, LLC**, Salt Lake City, UT (US)
- (**) Term: **14 Years**
- (21) Appl. No.: **29/481,765**
- (22) Filed: **Feb. 10, 2014**

Related U.S. Application Data

- (63) Continuation-in-part of application No. PCT/US2013/070236, filed on Nov. 15, 2013.
- (60) Provisional application No. 61/728,461, filed on Nov. 20, 2012.
- (51) **LOC (10) Cl.** **26-03**
- (52) **U.S. Cl.**
USPC **D26/88**; D26/73
- (58) **Field of Classification Search**
USPC D26/25, 72, 73, 75, 76, 80-92, 118;
362/147, 404-408
CPC F21W 2121/00; F21S 8/00; F21S 4/00
See application file for complete search history.

(56) **References Cited**

U.S. PATENT DOCUMENTS

1,963,218	A	*	6/1934	Wakefield	362/147
D97,213	S	*	10/1935	Stone	D26/83
D101,033	S	*	9/1936	Glatthar et al.	D26/81
D101,034	S	*	9/1936	Glatthar et al.	D26/80
D136,518	S	*	10/1943	Hofstetter	D26/78
D166,671	S	*	5/1952	Jernigan	D26/88
D387,459	S	*	12/1997	Cool	D26/106

D508,580	S	*	8/2005	Norris et al.	D26/67
6,964,507	B2	*	11/2005	Mohacsi	362/545
D525,384	S	*	7/2006	Waycaster et al.	D26/76
D525,738	S	*	7/2006	Waycaster et al.	D26/76
D541,970	S	*	5/2007	Blackman	D26/81
D591,444	S	*	4/2009	Beno et al.	D26/88
D592,793	S	*	5/2009	Chandler	D26/88
D653,794	S	*	2/2012	Friedman	D26/88
D716,486	S	*	10/2014	Martin	D26/88
2015/0300605	A1		10/2015	Clark		

OTHER PUBLICATIONS

Ex parte Quayle Action for U.S. Appl. No. 29/545,539 mailed on May 23, 2016.

* cited by examiner

Primary Examiner — Clare E Heflin

(74) *Attorney, Agent, or Firm* — Workman Nydegger

(57) **CLAIM**

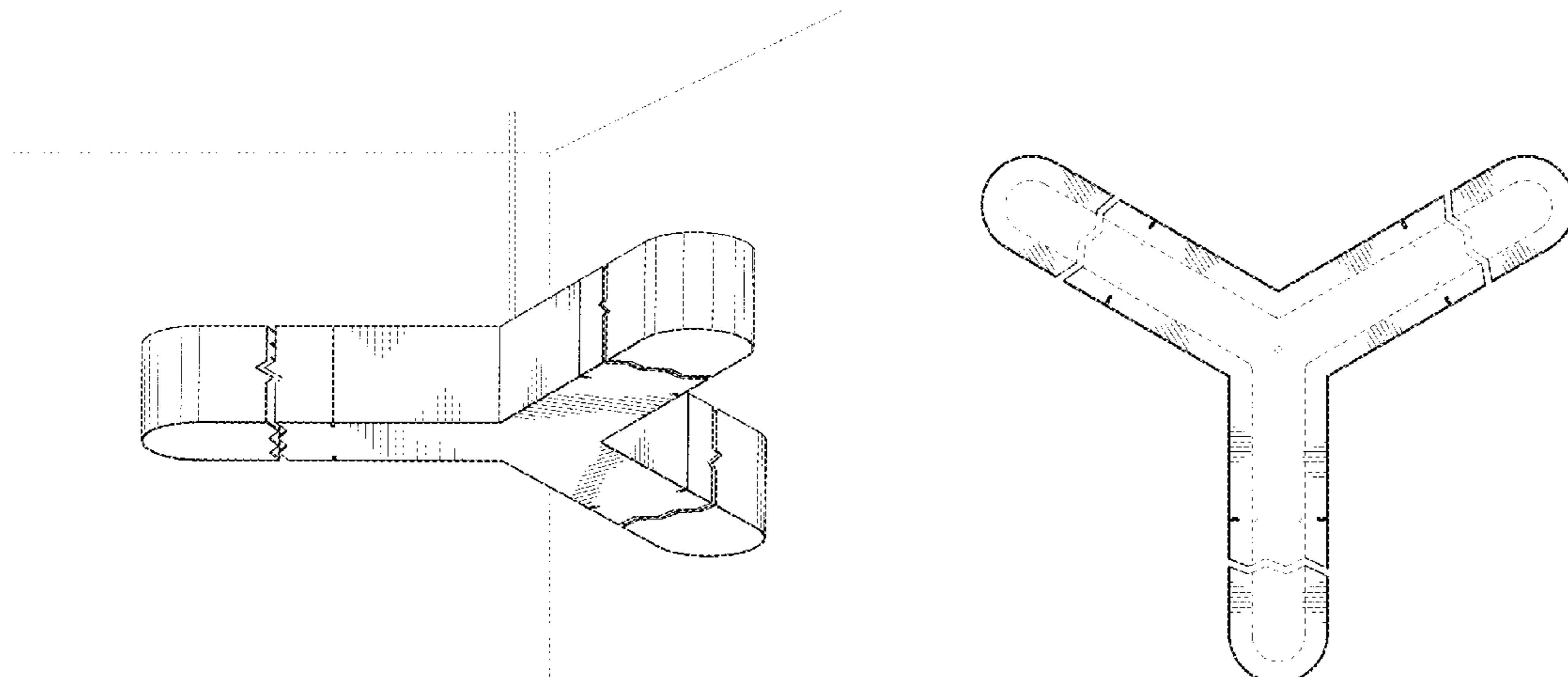
The ornamental design for a Y-shaped light fixture, as shown and described.

DESCRIPTION

FIG. 1 is a perspective view of a Y-shaped light fixture showing the new design;
 FIG. 2 is a left elevational view thereof;
 FIG. 3 is a right elevational view thereof;
 FIG. 4 is a back elevational view thereof;
 FIG. 5 is a front elevational view thereof;
 FIG. 6 is a top plan view thereof; and,
 FIG. 7 is a bottom plan view thereof.

The area between the symbolic break lines forms no part of the claimed design. In addition, the dotted lines shown in the drawings on portions of the Y-shaped light fixture, or with respect to other environment, are for illustrative purposes only and form no part of the claimed design.

1 Claim, 4 Drawing Sheets



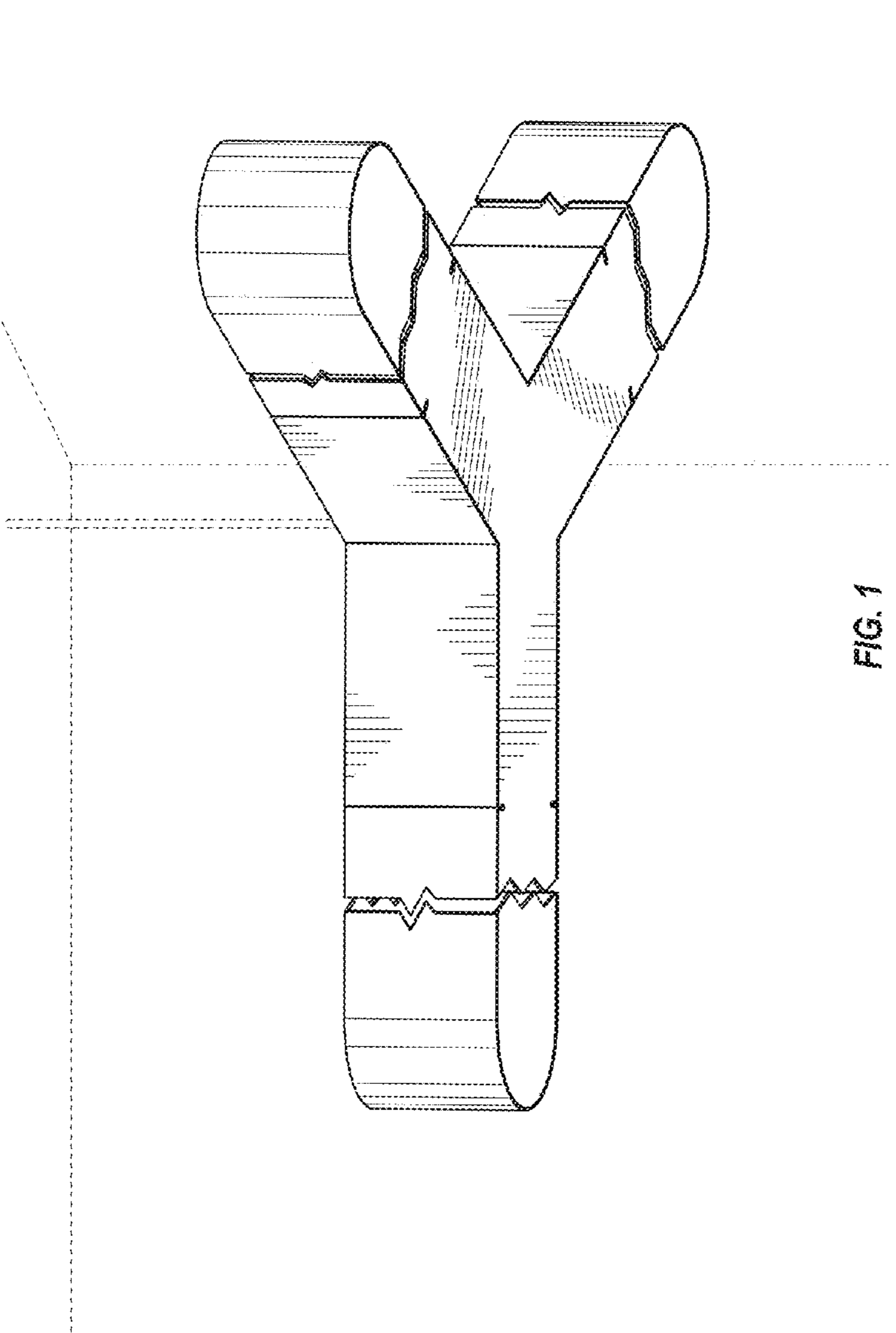


FIG. 1

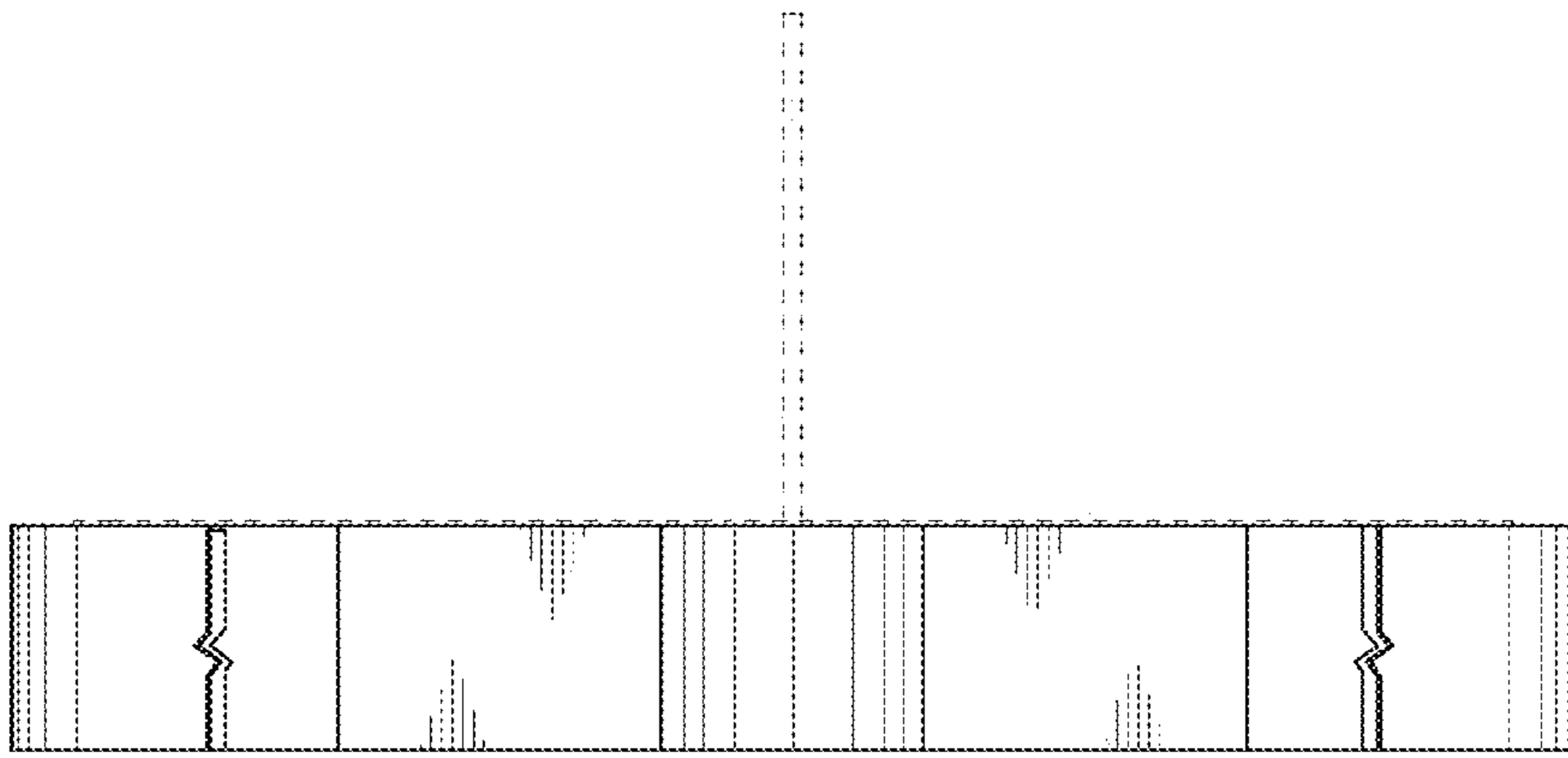


FIG. 2

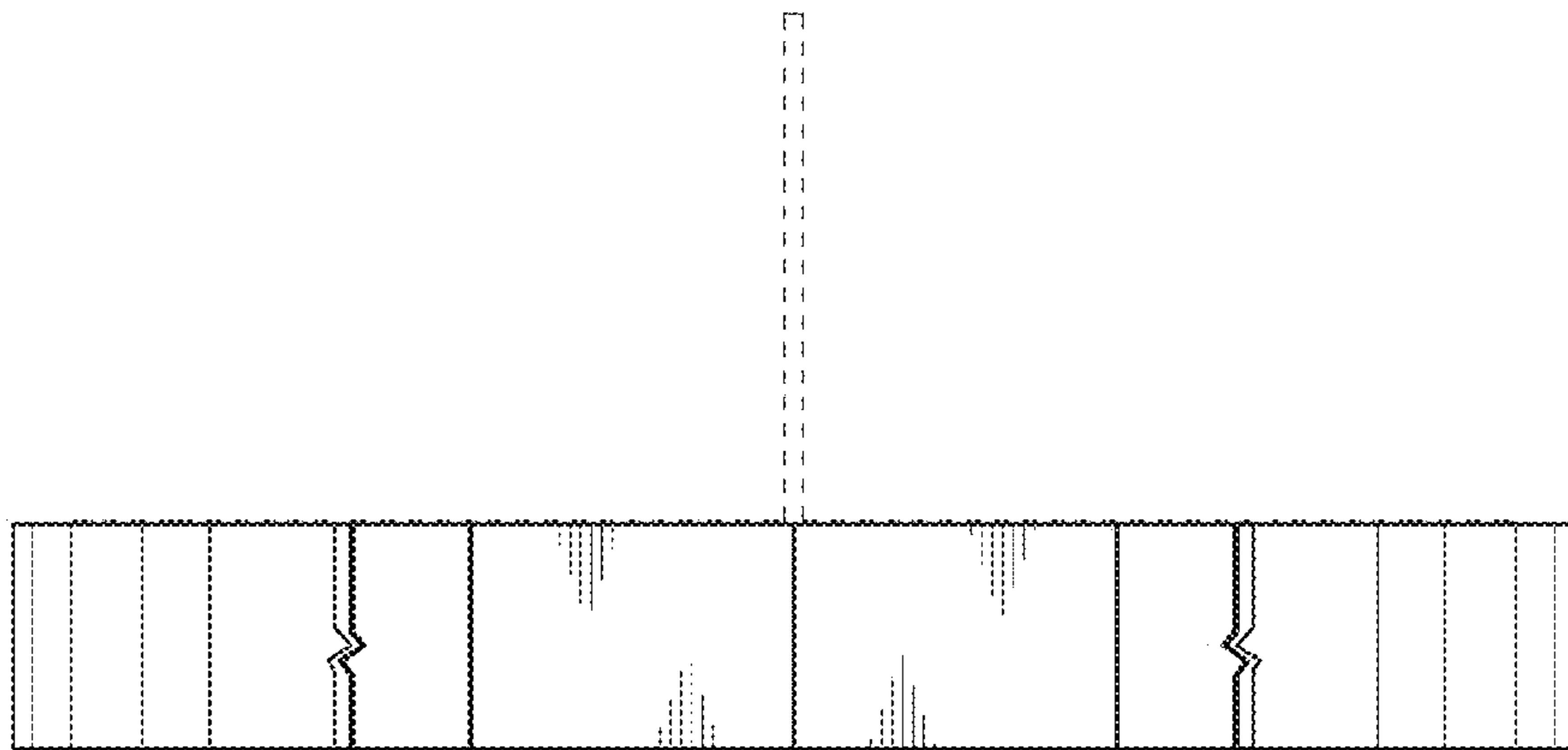


FIG. 3

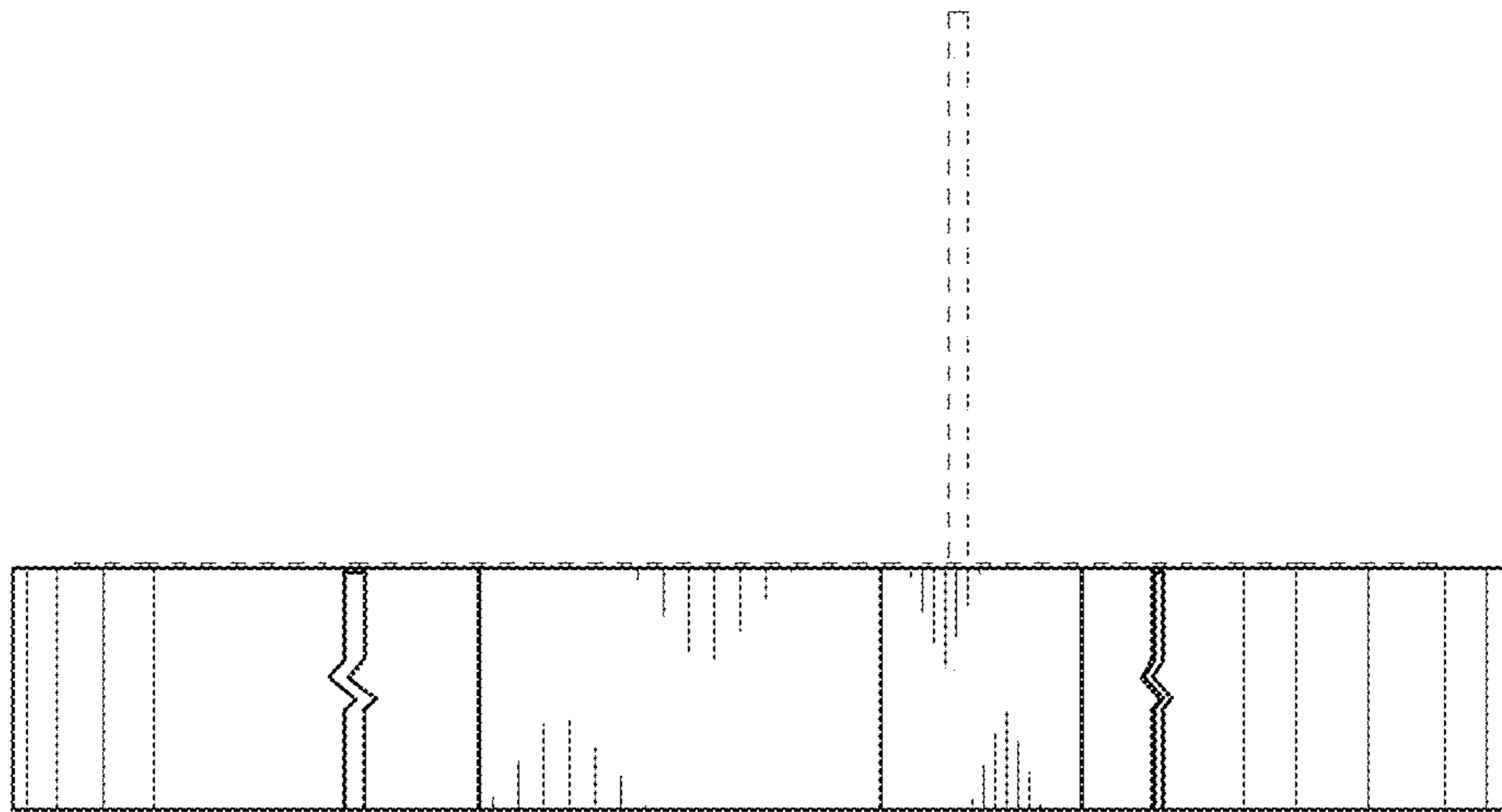


FIG. 4

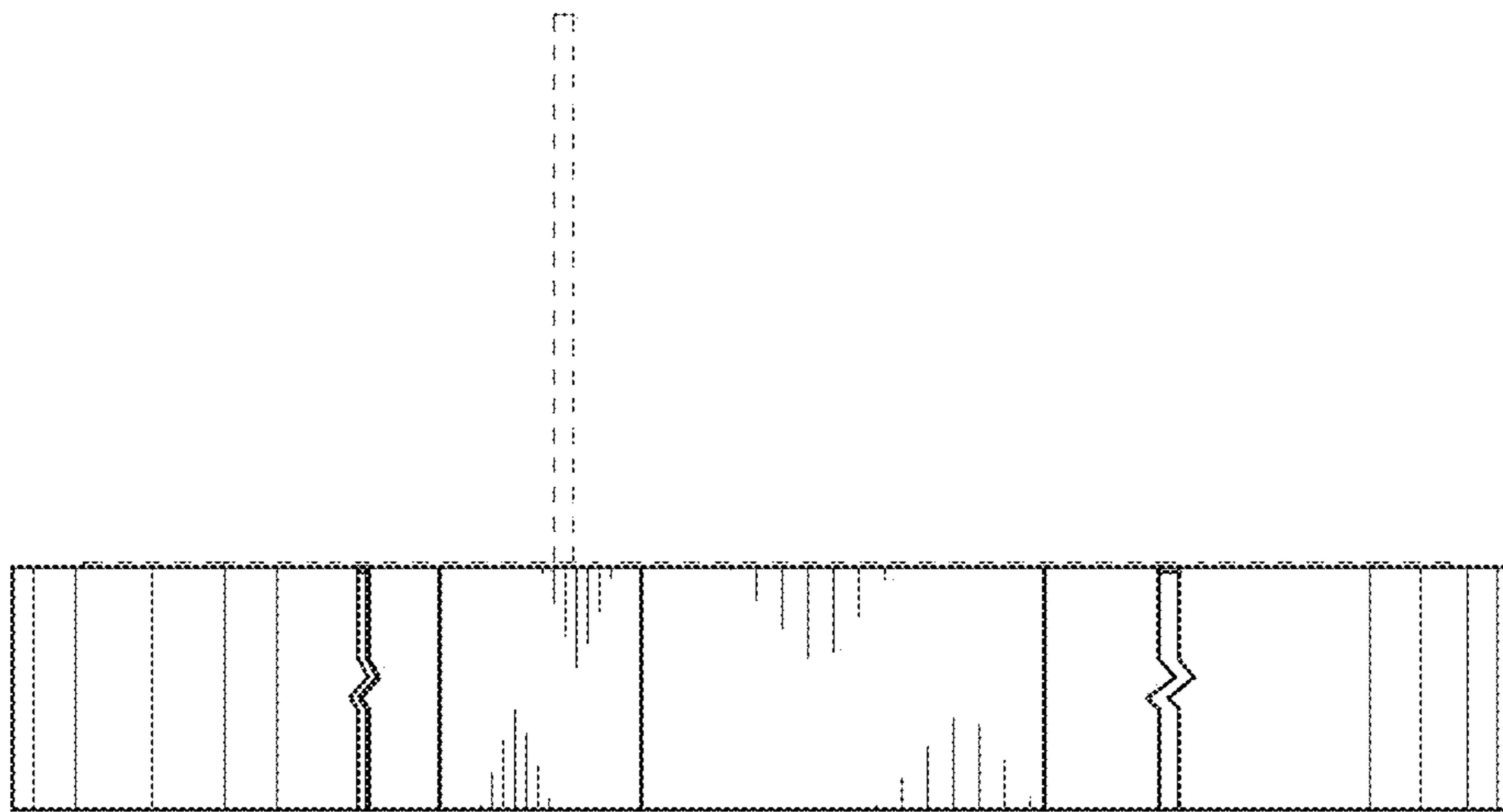


FIG. 5

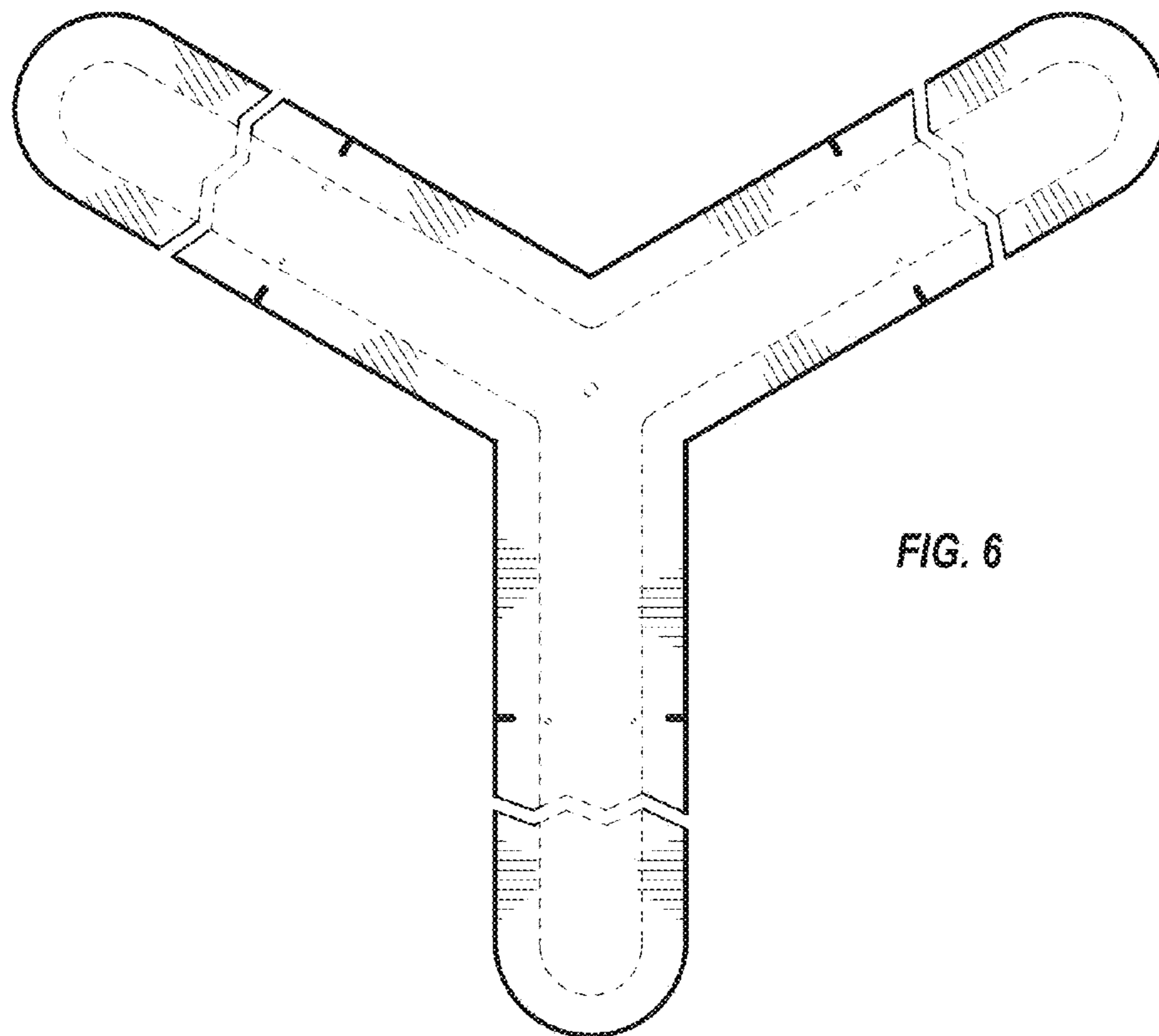


FIG. 6

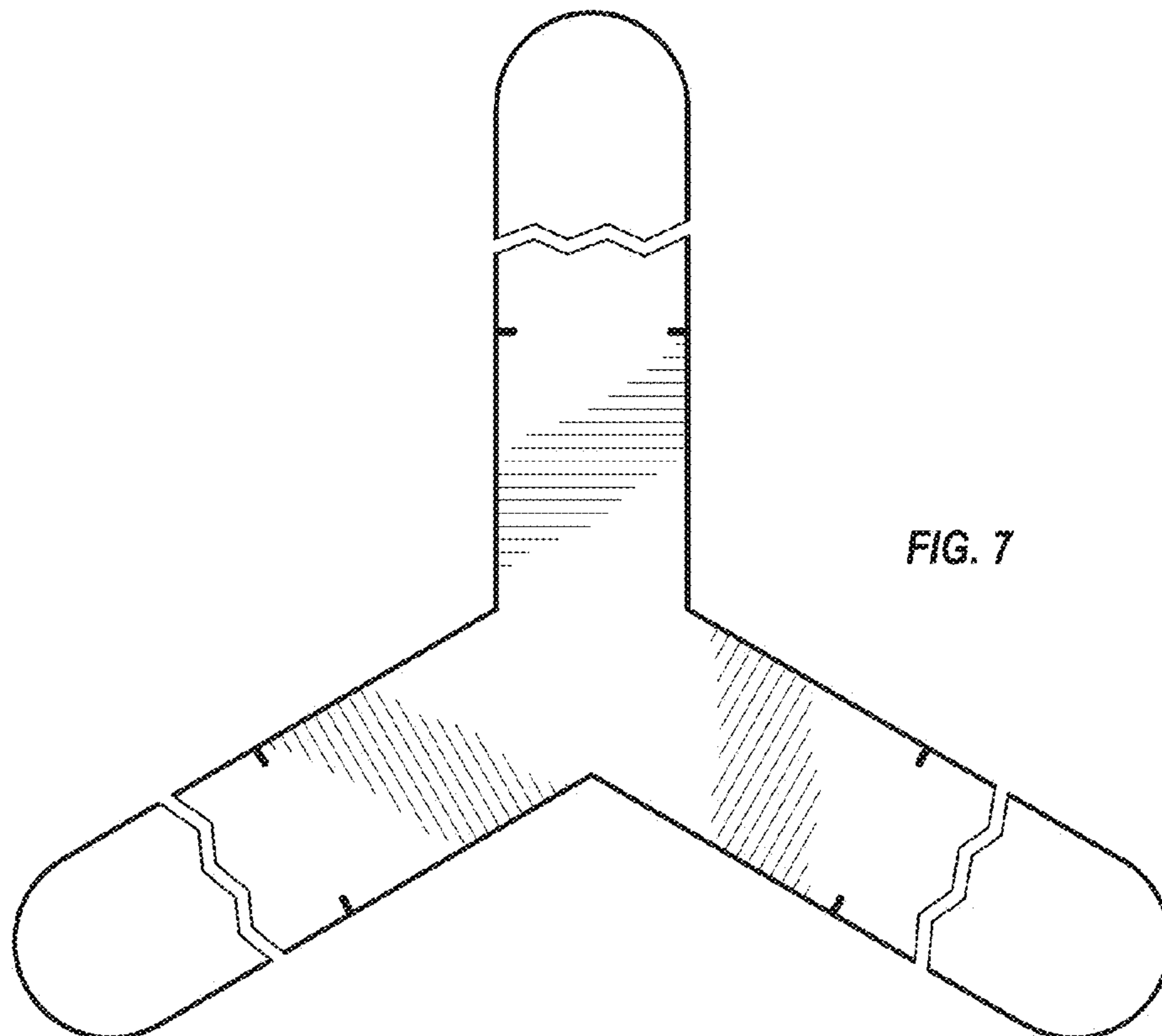


FIG. 7