

US00D761990S

(12) **United States Design Patent**
Ng

(10) **Patent No.:** **US D761,990 S**
(45) **Date of Patent:** **** Jul. 19, 2016**

- (54) **LAMP**
- (71) Applicant: **Edmund Ng**, Monrovia, CA (US)
- (72) Inventor: **Edmund Ng**, Monrovia, CA (US)
- (73) Assignee: **KONCEPT TECHNOLOGIES, INC.**,
Monrovia, CA (US)
- (**) Term: **14 Years**
- (21) Appl. No.: **29/525,790**
- (22) Filed: **May 2, 2015**
- (51) **LOC (10) Cl.** **26-03**
- (52) **U.S. Cl.**
USPC **D26/80; D26/90**
- (58) **Field of Classification Search**
USPC D26/63, 65, 76, 80-91, 118
CPC F21S 8/06; F21S 8/061; F21S 8/063;
F21S 8/065; F21S 8/068; F21V 3/0418;
F21V 3/0427; F21V 3/0436; F21V 3/0445;
F21V 21/008; F21V 21/104
See application file for complete search history.

(56) **References Cited**

U.S. PATENT DOCUMENTS

D49,788 S *	10/1916	Warren	D26/81
3,937,948 A *	2/1976	Allison	F21S 8/06 362/300
D240,653 S *	7/1976	Eftekhar	D26/80
D311,781 S *	10/1990	Usher	D26/65
5,025,357 A *	6/1991	Maurer	F21S 2/00 362/249.01
D477,105 S *	7/2003	Herst	D26/76
D495,082 S *	8/2004	Marchand	D26/63
D523,164 S *	6/2006	Ng	D26/65
D525,738 S *	7/2006	Waycaster	D26/76
D536,468 S *	2/2007	Crosby	D26/84
D591,443 S *	4/2009	Beno	D26/76
D591,444 S *	4/2009	Beno	D26/76
D620,166 S *	7/2010	Sabernig	D26/63
D620,168 S *	7/2010	Sabernig	D26/63

D635,707 S *	4/2011	Ng	D26/60
D645,598 S *	9/2011	Sabernig	D26/65
D663,062 S *	7/2012	Ng	D26/65
D690,861 S *	10/2013	Huang	D26/65
2008/0253116 A1 *	10/2008	Liao	F21S 6/002 362/235
2010/0220497 A1 *	9/2010	Ngai	G02B 6/002 362/610
2013/0027927 A1 *	1/2013	Wegger	F21S 8/06 362/235
2013/0329424 A1 *	12/2013	Clark	F21S 2/005 362/235
2015/0070883 A1 *	3/2015	Clark	F21S 2/005 362/219

* cited by examiner

Primary Examiner — Clare E Heflin

(74) *Attorney, Agent, or Firm* — Steins & Associates, P.C.

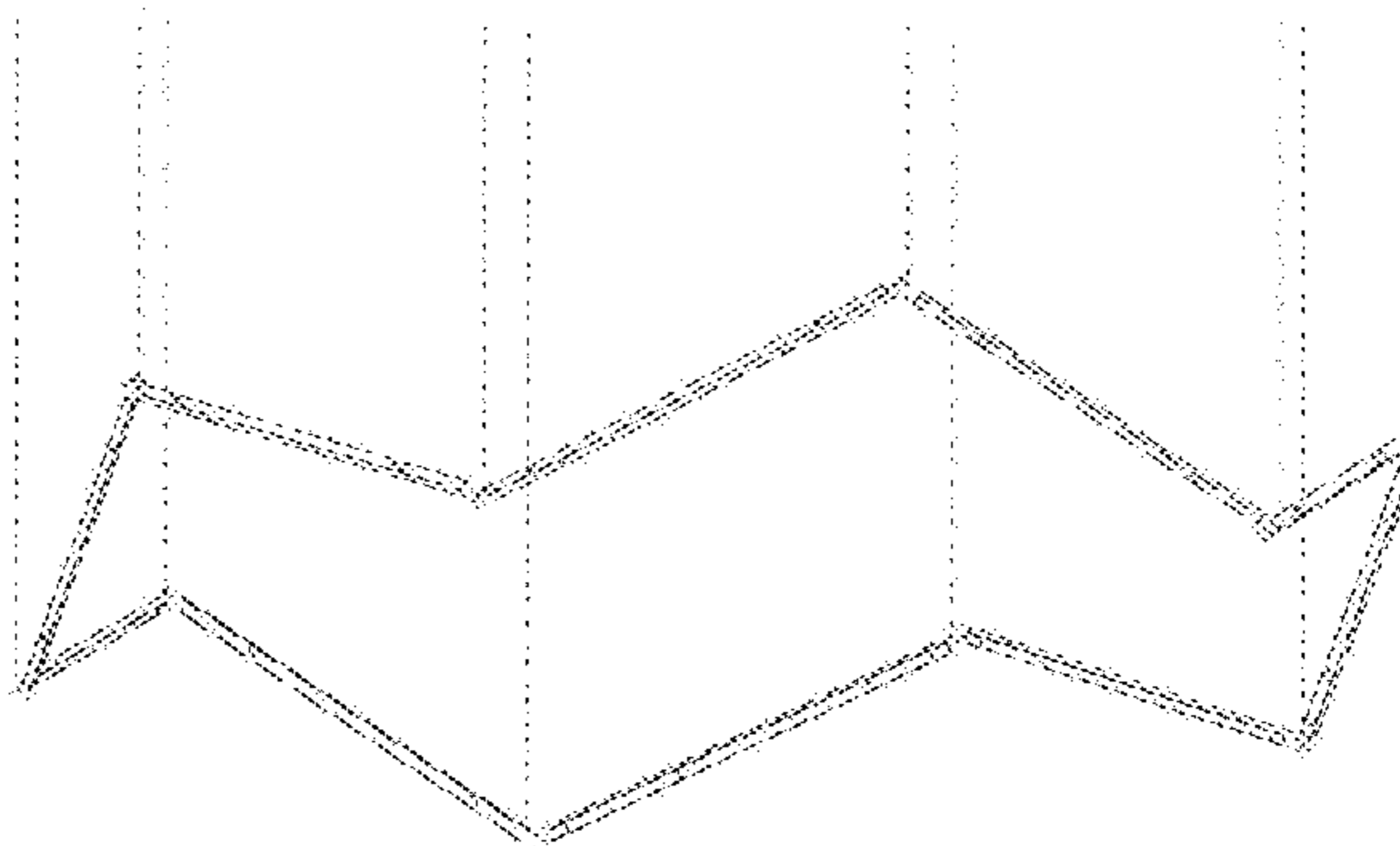
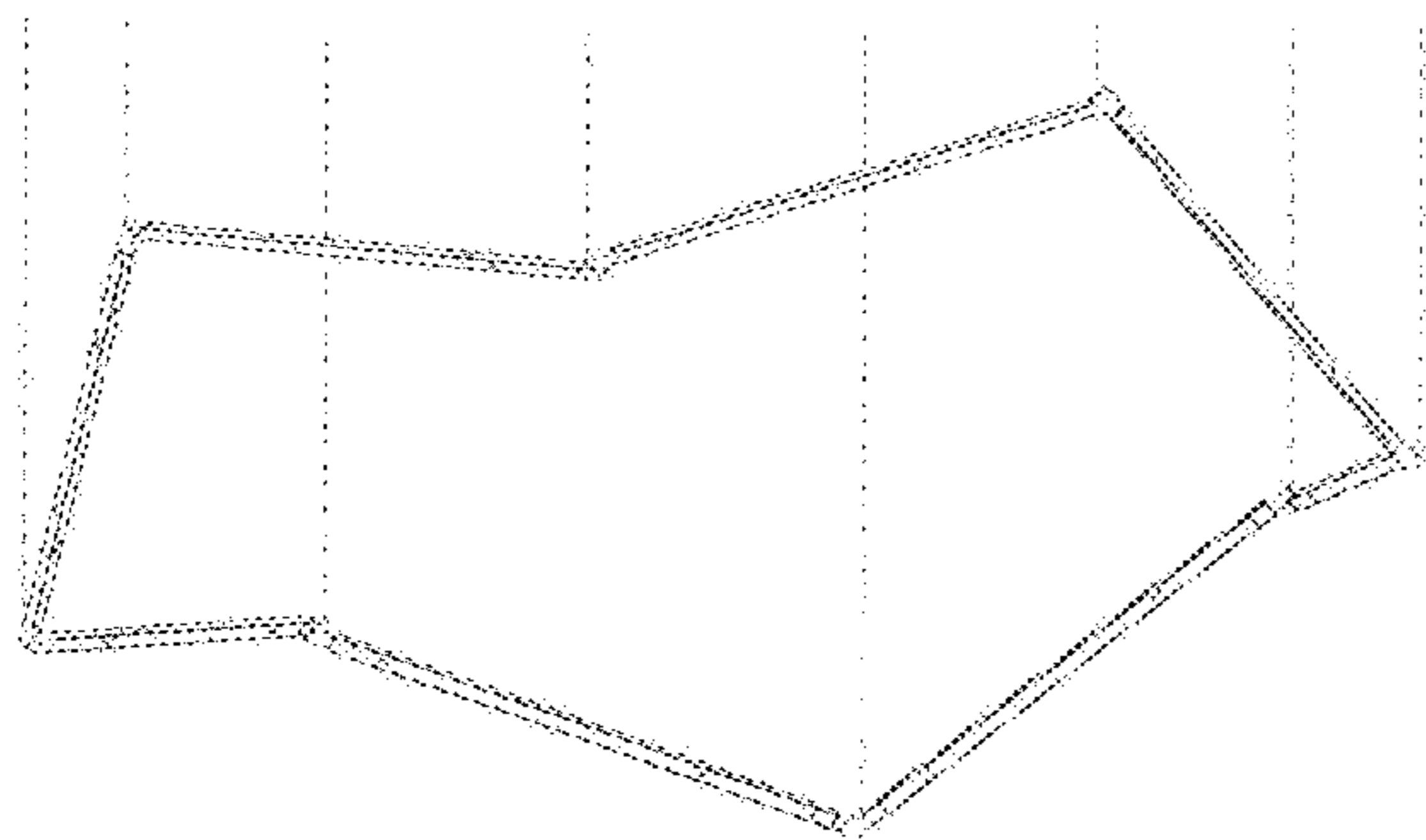
(57) **CLAIM**

What is claimed is the ornamental design for a lamp, as shown and described.

DESCRIPTION

FIG. 1 is a bottom perspective view of an eight-segment embodiment of the lamp;
 FIG. 2 is a top view thereof;
 FIG. 3 is a bottom view thereof;
 FIG. 4 is a top perspective view thereof;
 FIG. 5 is a top perspective view thereof rotated 22.5 degrees relative to the position of FIG. 4;
 FIG. 6 is a cutaway end view of one of the segments thereof;
 FIG. 7 is a top perspective view of a six-segment embodiment of the lamp;
 FIG. 8 is a top perspective view of a ten-segment embodiment of the lamp; and,
 FIG. 9 is a top perspective view of a twelve-segment embodiment of the lamp.
 The wires suspending the lamp and the hinges interconnecting the segments are shown in broken lines and form no part of the claimed design.

1 Claim, 9 Drawing Sheets



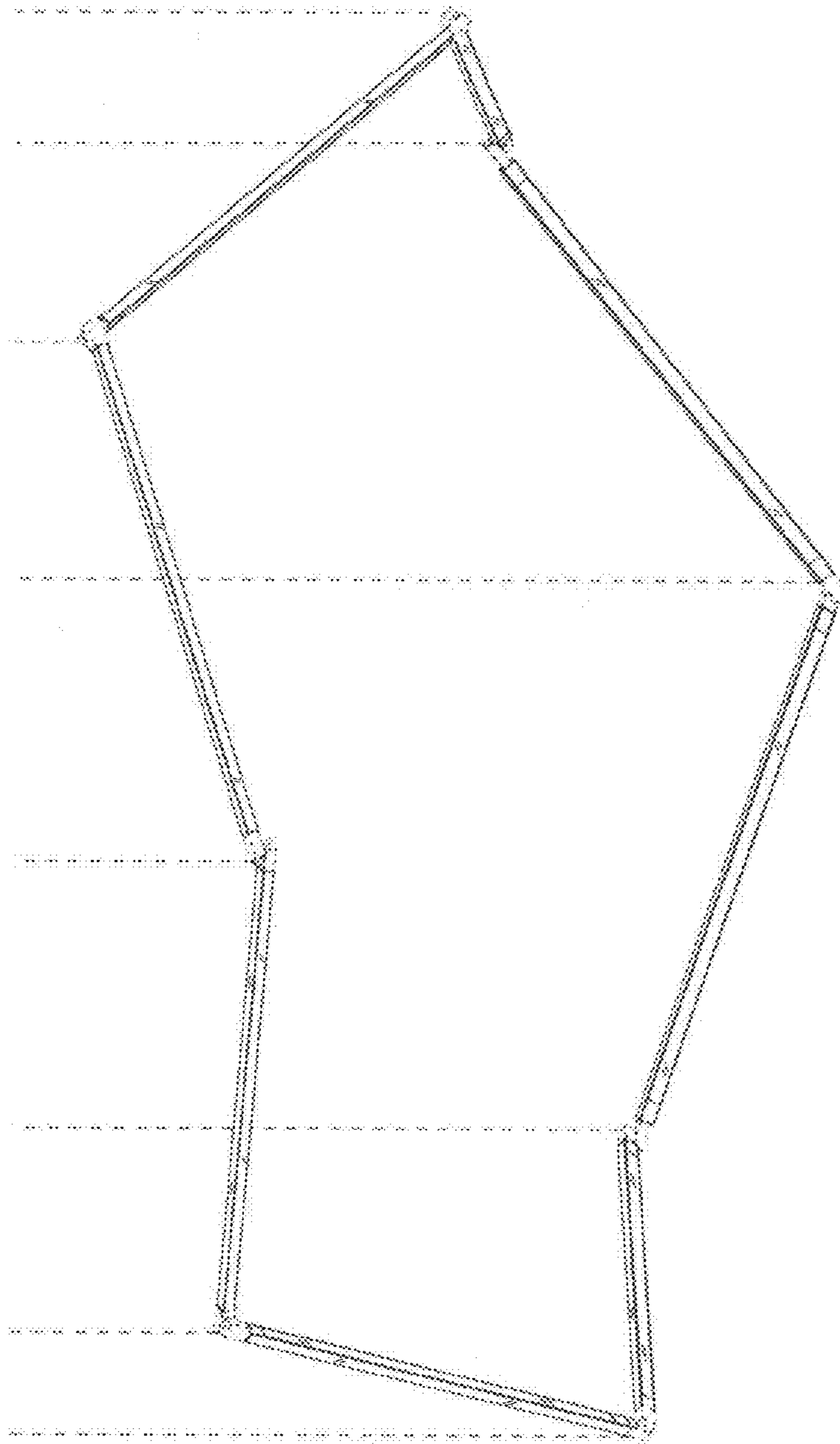


FIG. 1

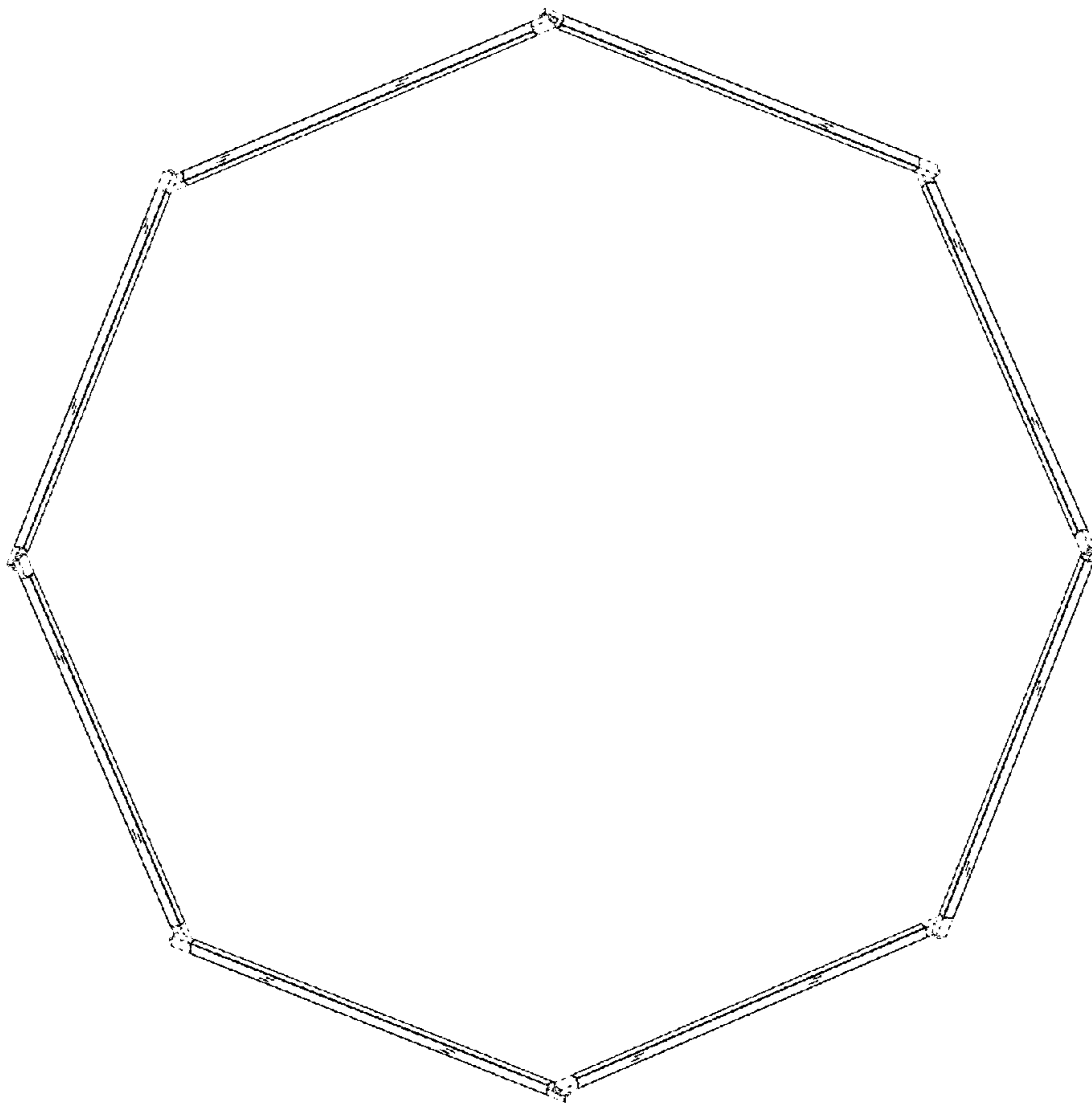


FIG. 2

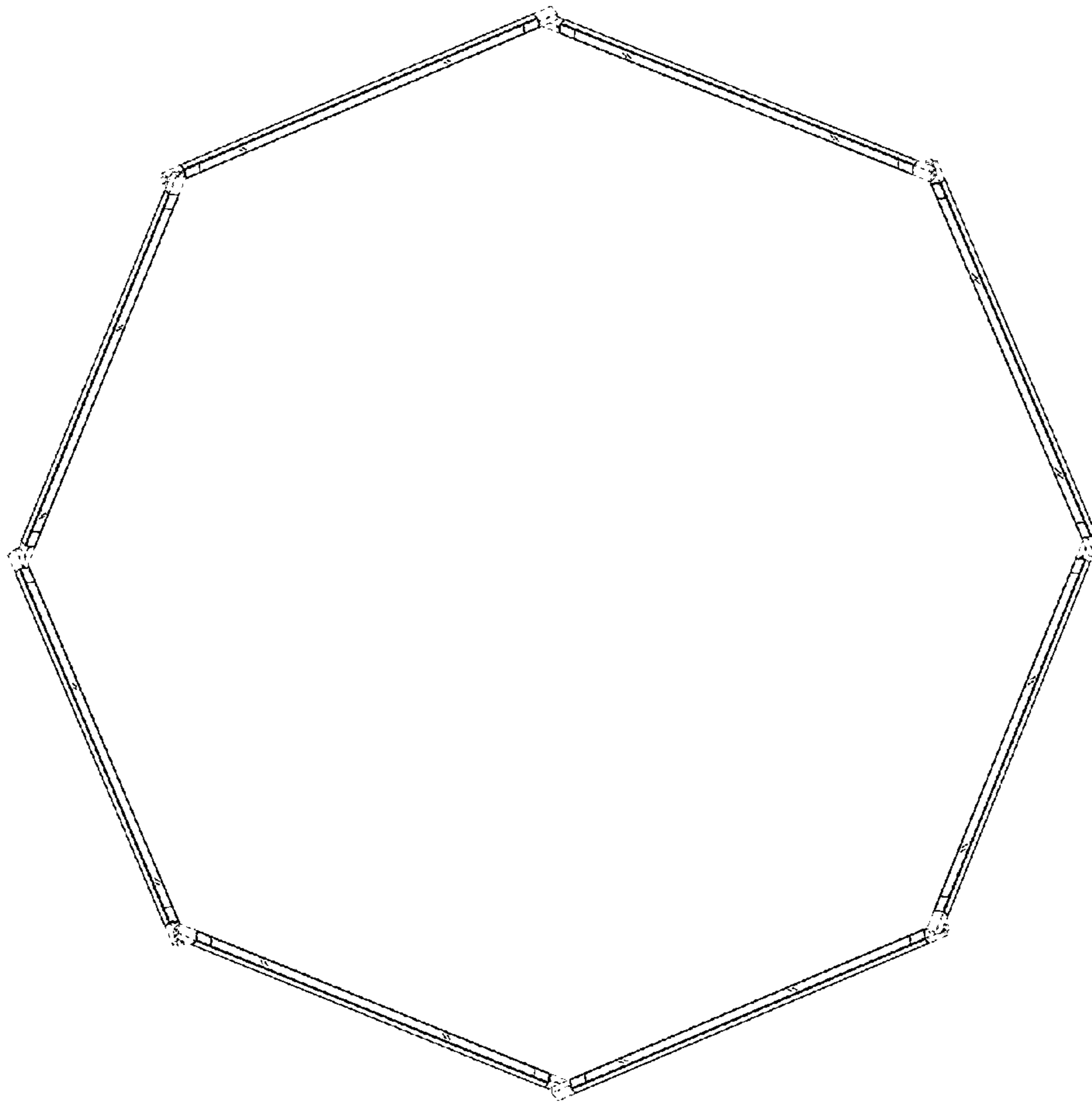


FIG. 3

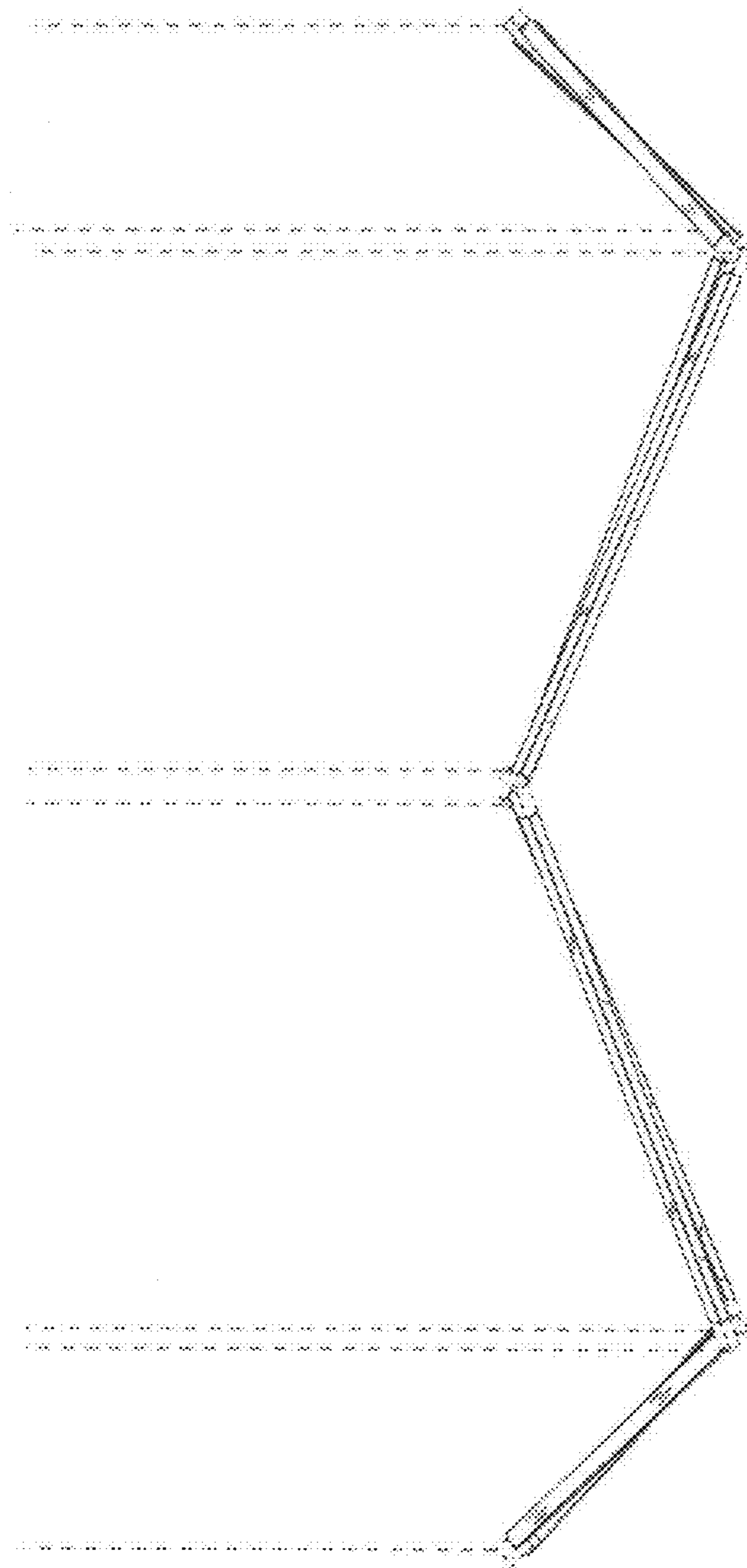


FIG. 4

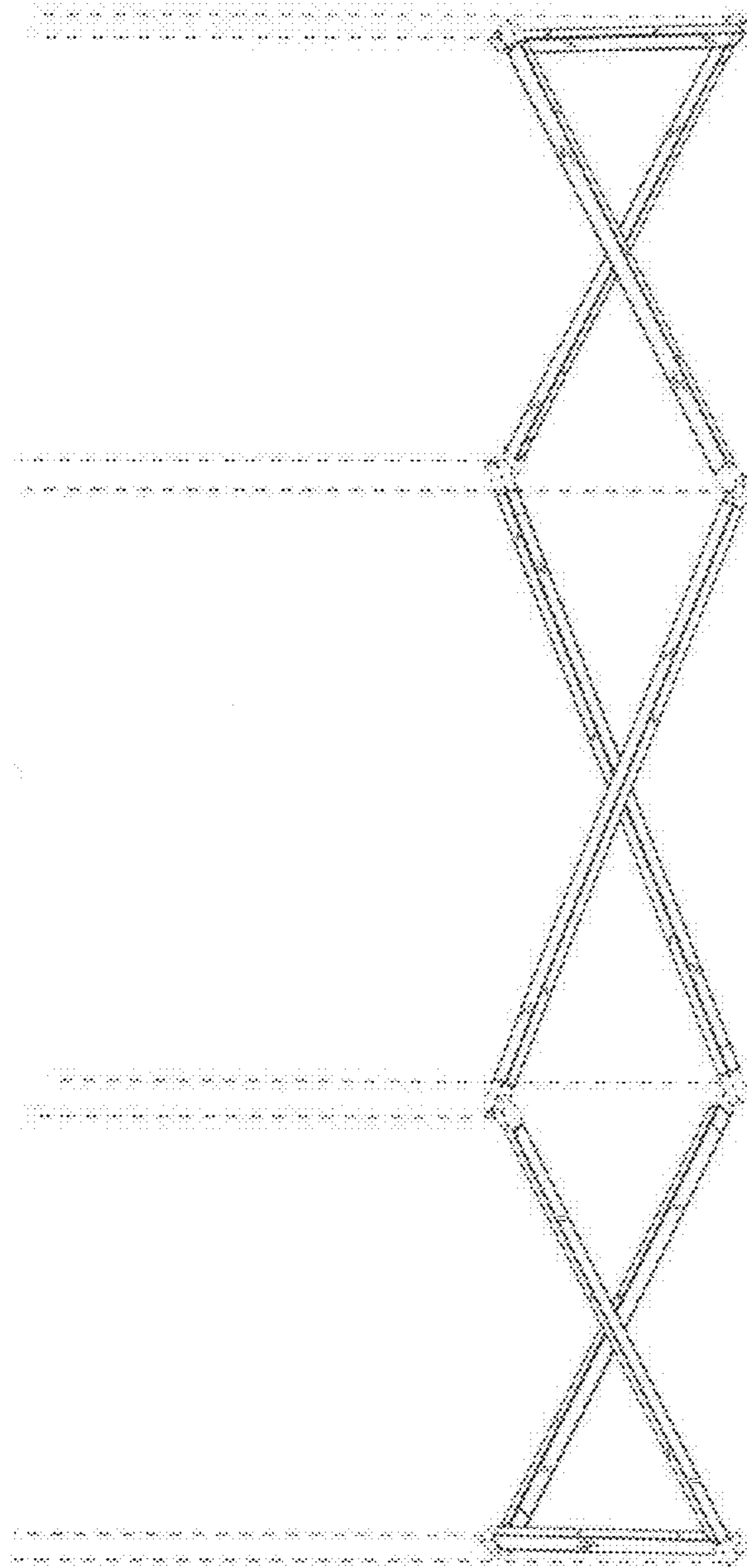


FIG. 5

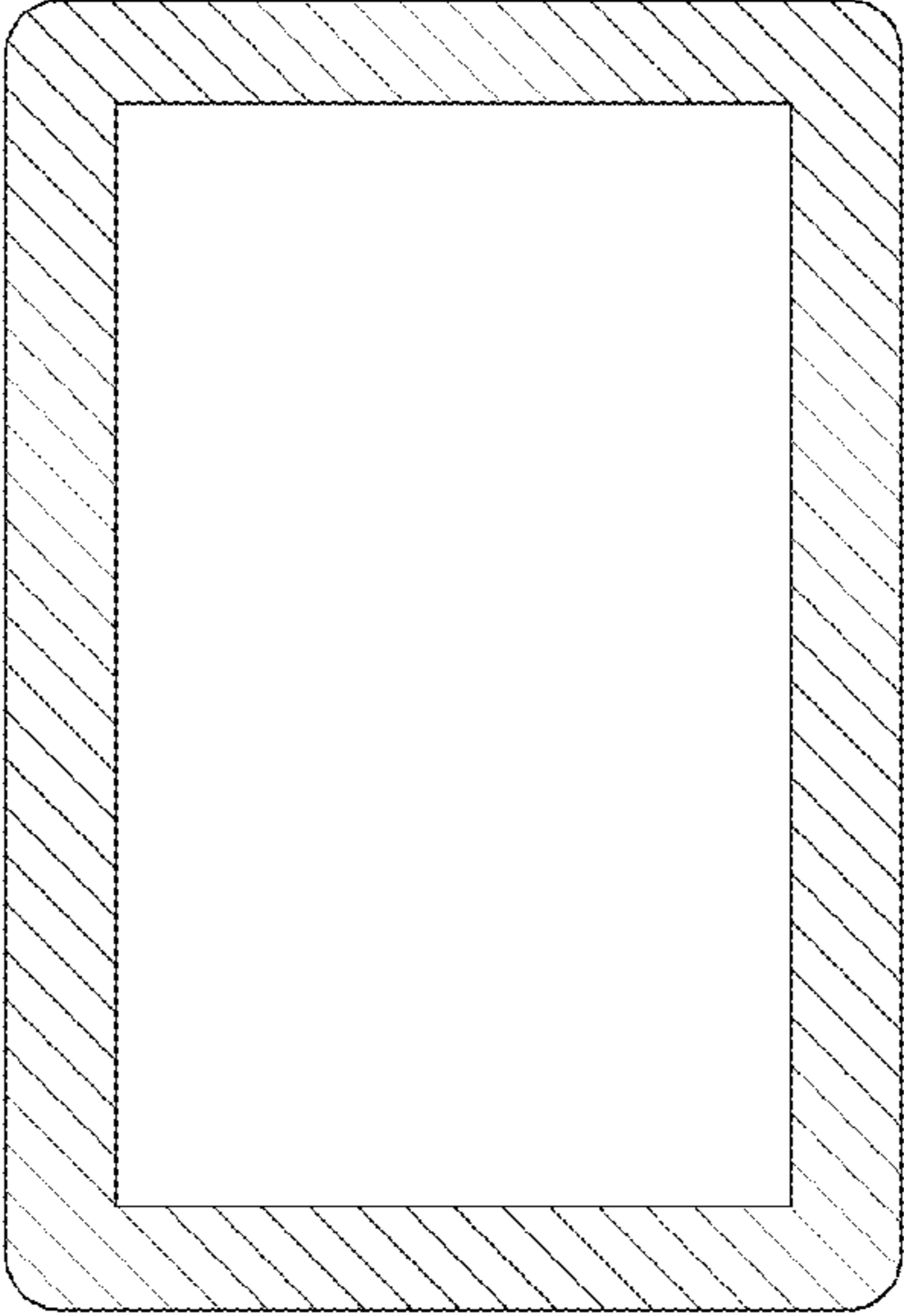


FIG. 6

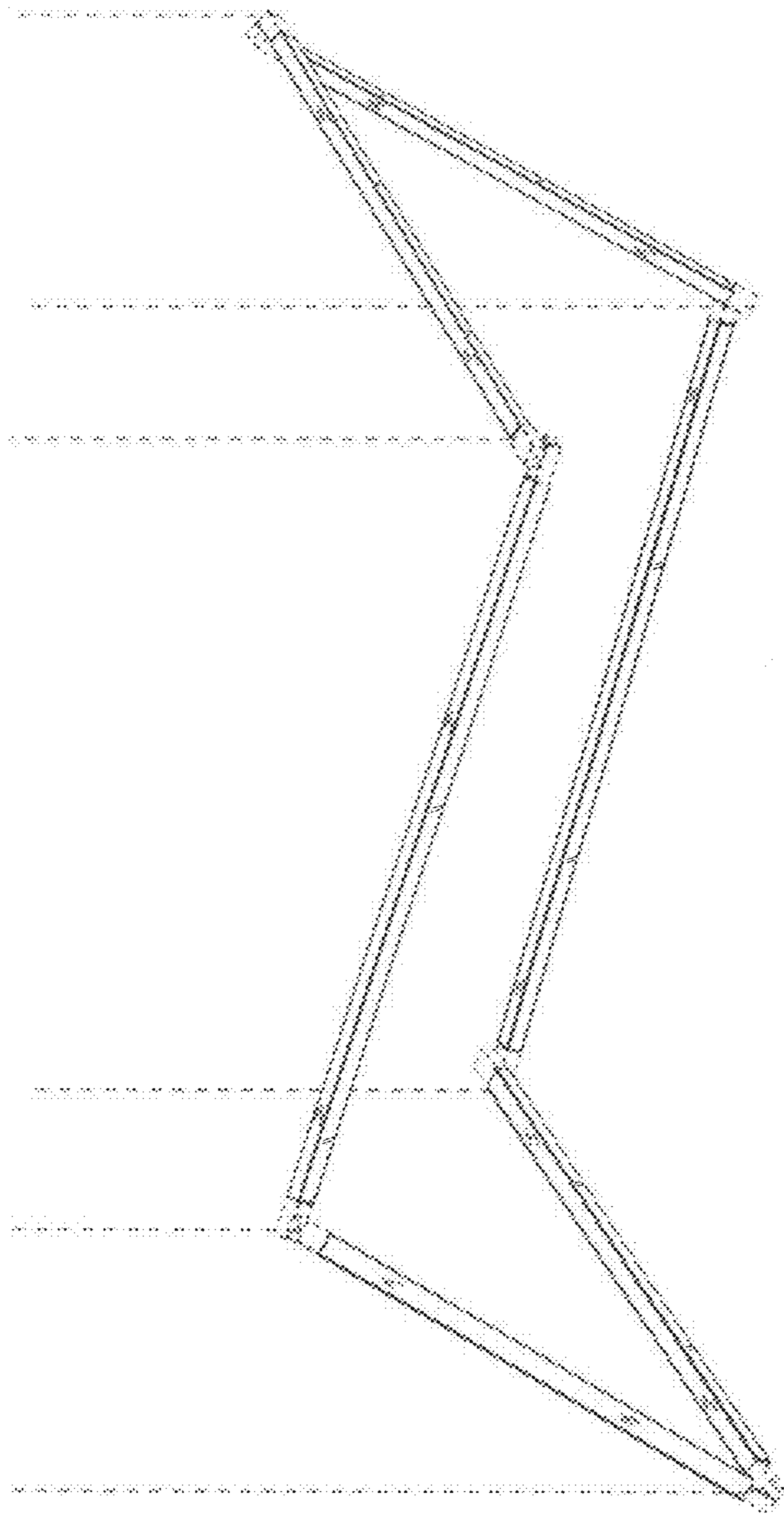


FIG. 7

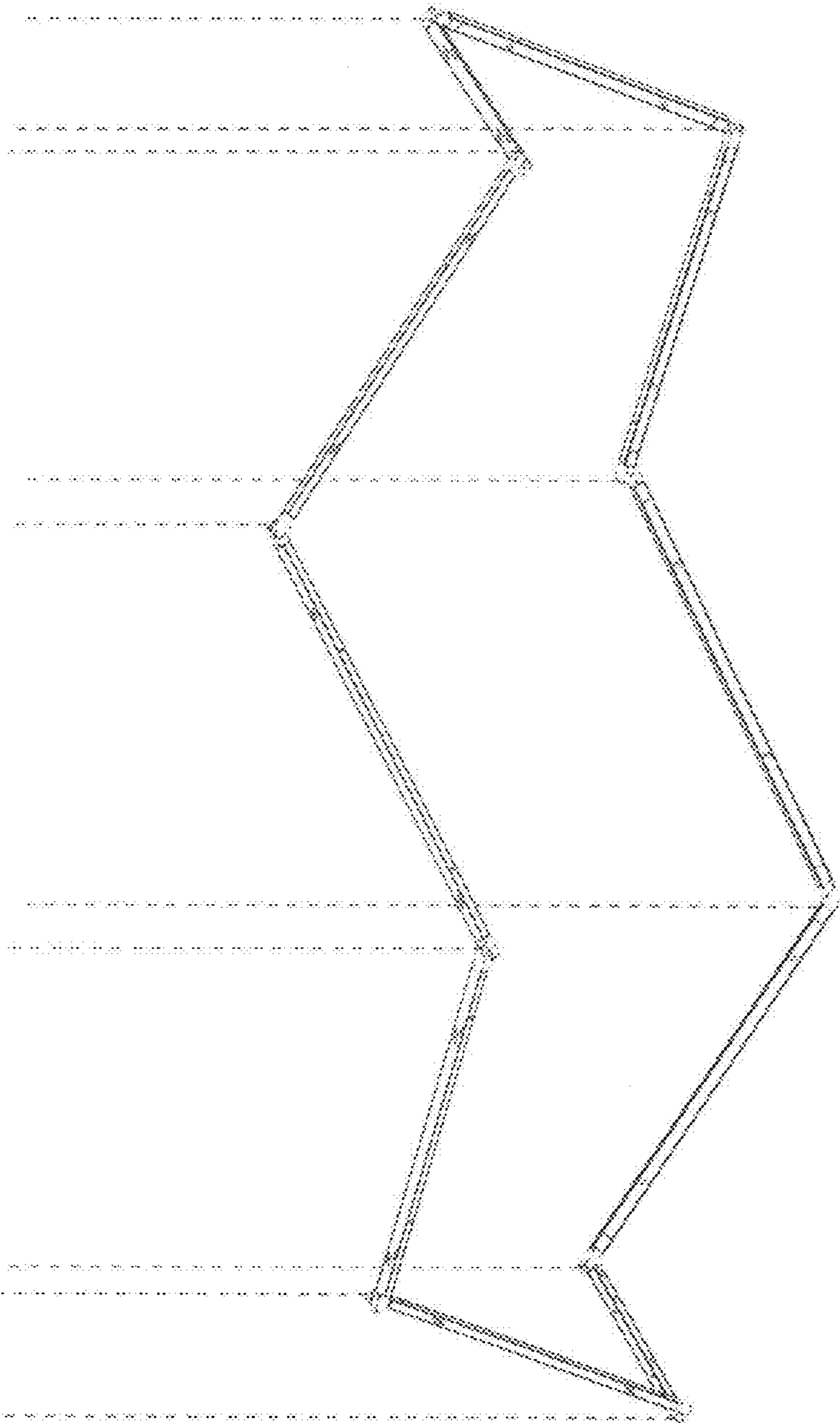


FIG. 8

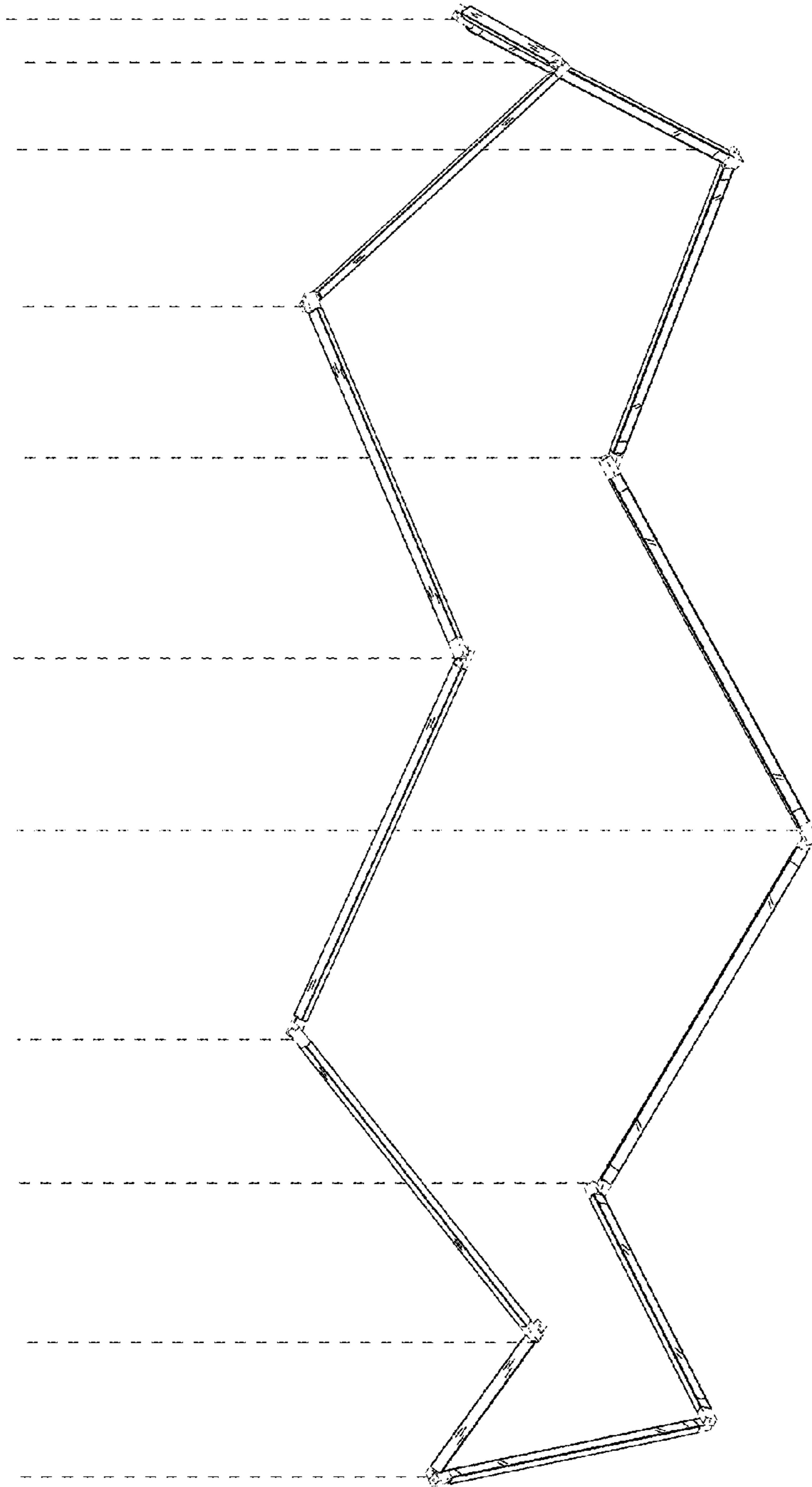


FIG. 9