

US00D761989S

(12) **United States Design Patent**  
**Dickinson**

(10) **Patent No.:** **US D761,989 S**

(45) **Date of Patent:** **\*\* Jul. 19, 2016**

(54) **STADIUM STYLE LED GROW LIGHT**

(71) Applicant: **Zachary James Dickinson**, San Rafael,  
CA (US)

(72) Inventor: **Zachary James Dickinson**, San Rafael,  
CA (US)

(\*\*) Term: **14 Years**

(21) Appl. No.: **29/497,942**

(22) Filed: **Jul. 30, 2014**

(51) **LOC (10) Cl.** ..... **26-03**

(52) **U.S. Cl.**  
USPC ..... **D26/63**

(58) **Field of Classification Search**  
USPC ..... D26/1, 24, 28, 63, 65, 85, 92, 71, 102,  
D26/106  
CPC ..... F21V 21/14; F21V 15/01; F21V 14/02;  
F21V 21/30; F21V 21/00; F21V 14/00;  
F21S 8/00; F21S 8/003; F21S 8/043; F21Y  
2105/001

See application file for complete search history.

(56) **References Cited**

**U.S. PATENT DOCUMENTS**

D239,315 S \* 3/1976 Satoh ..... D26/104  
D269,913 S \* 7/1983 Johnson ..... D26/24

D319,891 S \* 9/1991 Giese ..... D26/24  
D550,878 S \* 9/2007 Korpi ..... D26/63  
D575,424 S \* 8/2008 Gebhard ..... D26/28  
D695,435 S \* 12/2013 Pedersen ..... D26/63  
D731,688 S \* 6/2015 Piano ..... D26/63

\* cited by examiner

*Primary Examiner* — Brian N Vinson

(74) *Attorney, Agent, or Firm* — Steven A. Nielsen;  
www.NielsenPatents.com

(57) **CLAIM**

The ornamental design for a stadium style LED grow light, as shown and described.

**DESCRIPTION**

FIG. 1 is a top and side perspective view of a stadium style LED grow light, showing a new ornamental design, as shown and described;

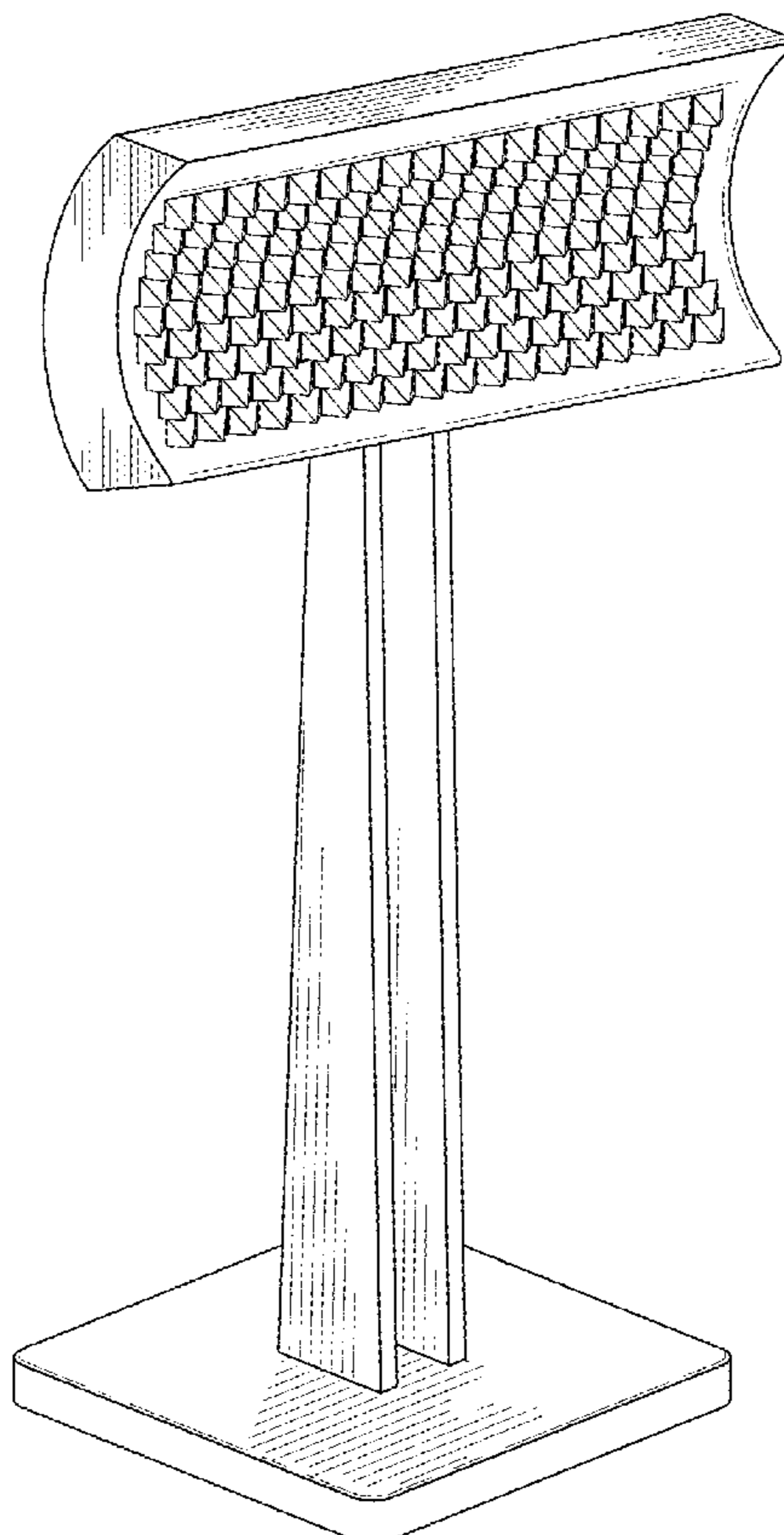
FIG. 2 is a front elevation view thereof;

FIG. 3 is a back elevational view thereof;

FIG. 4 is a right side elevational view thereof, with the left side being a mirror image and thus not separately illustrated; and,

FIG. 5 is a top plan view; the bottom is not part of the claimed design and is thus not shown.

**1 Claim, 3 Drawing Sheets**



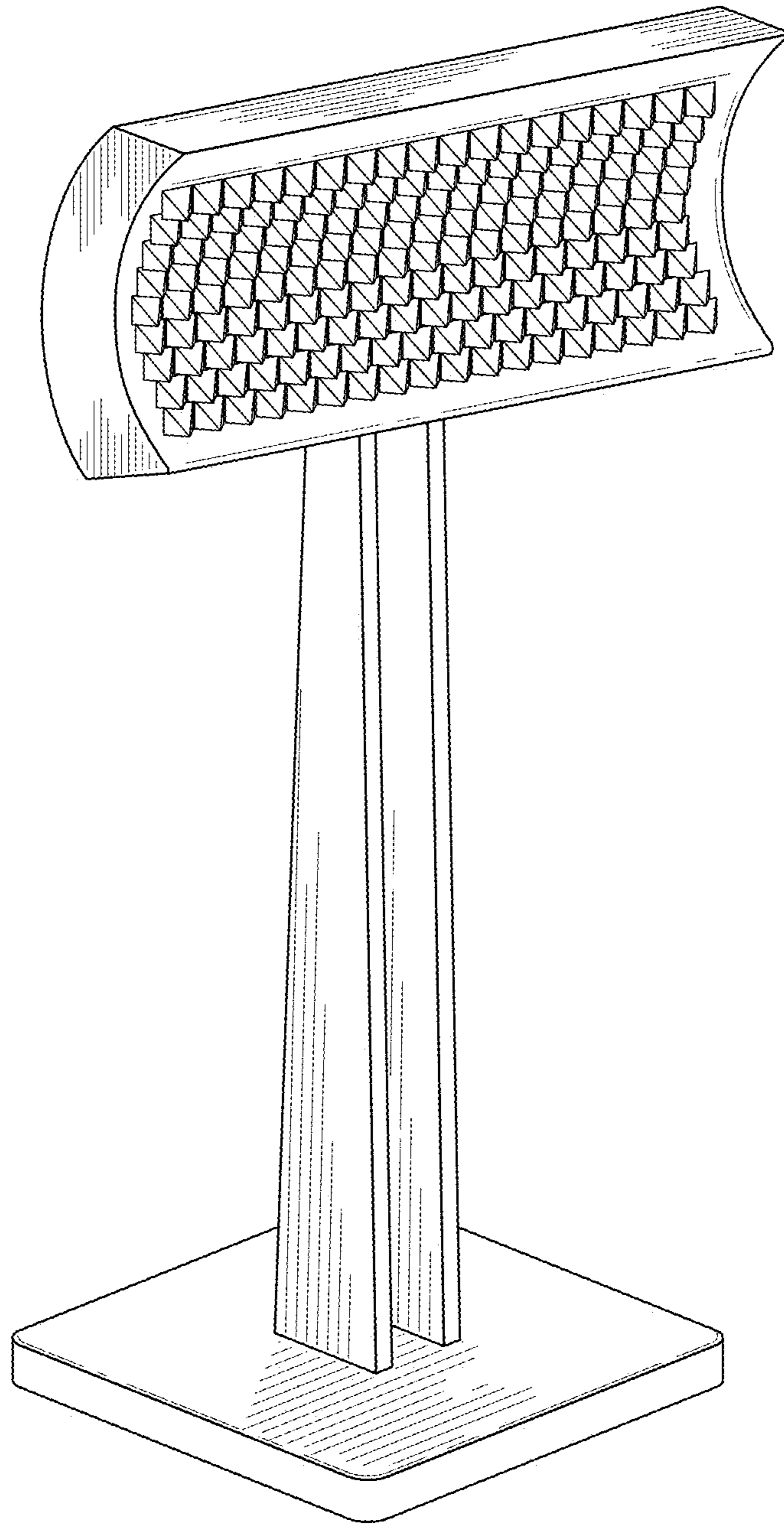


FIG. 1

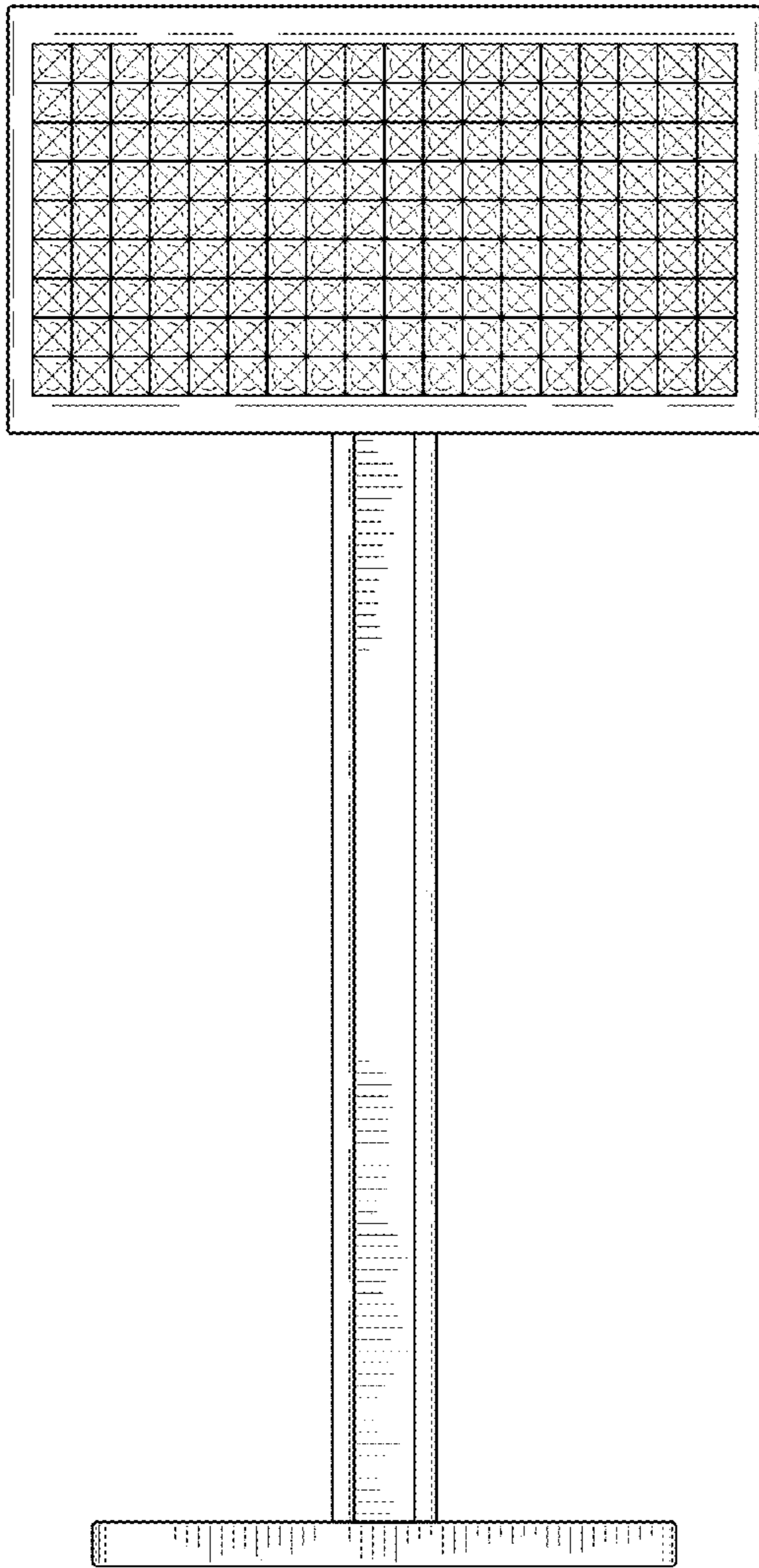


FIG. 2

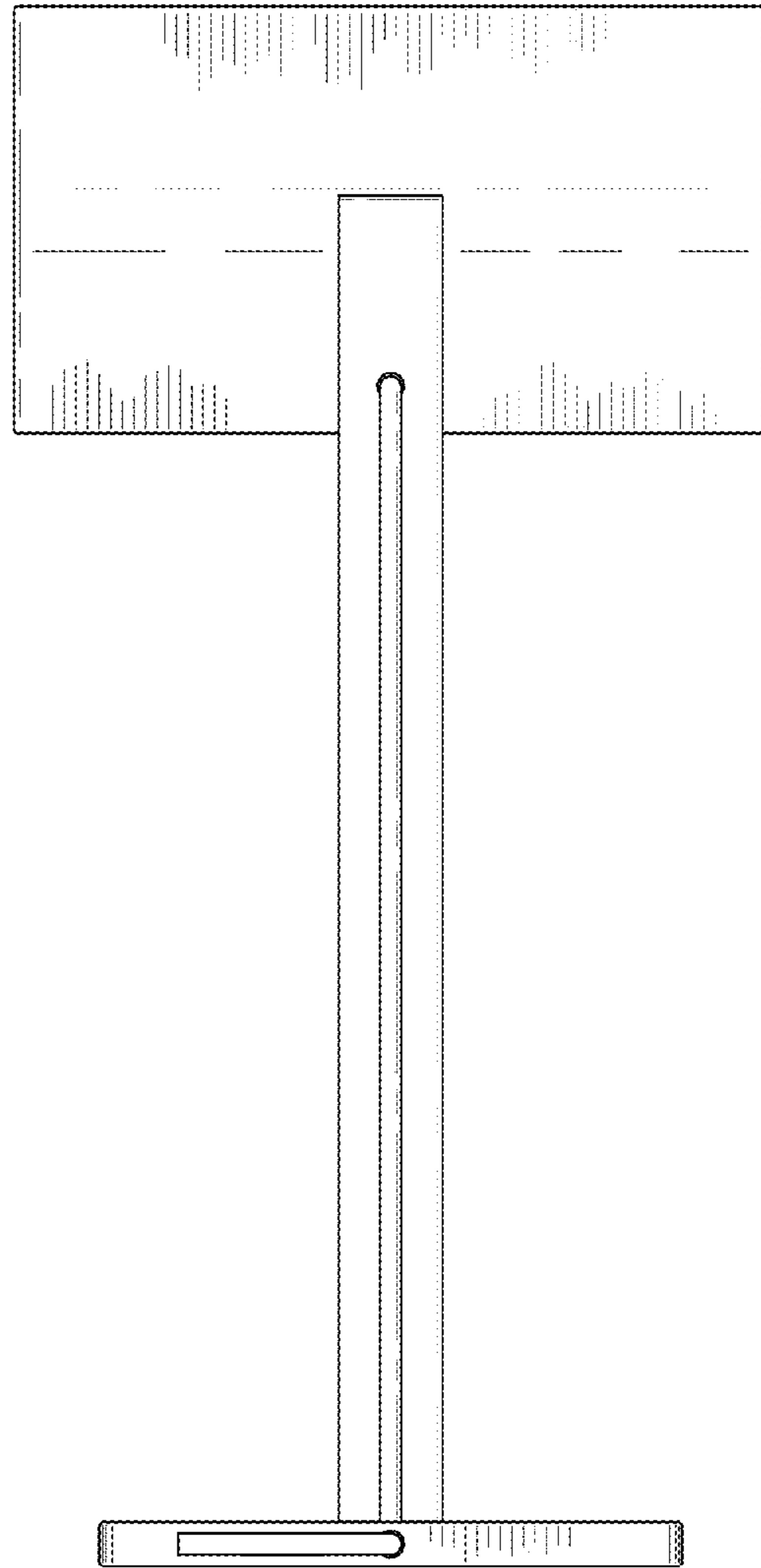


FIG. 3

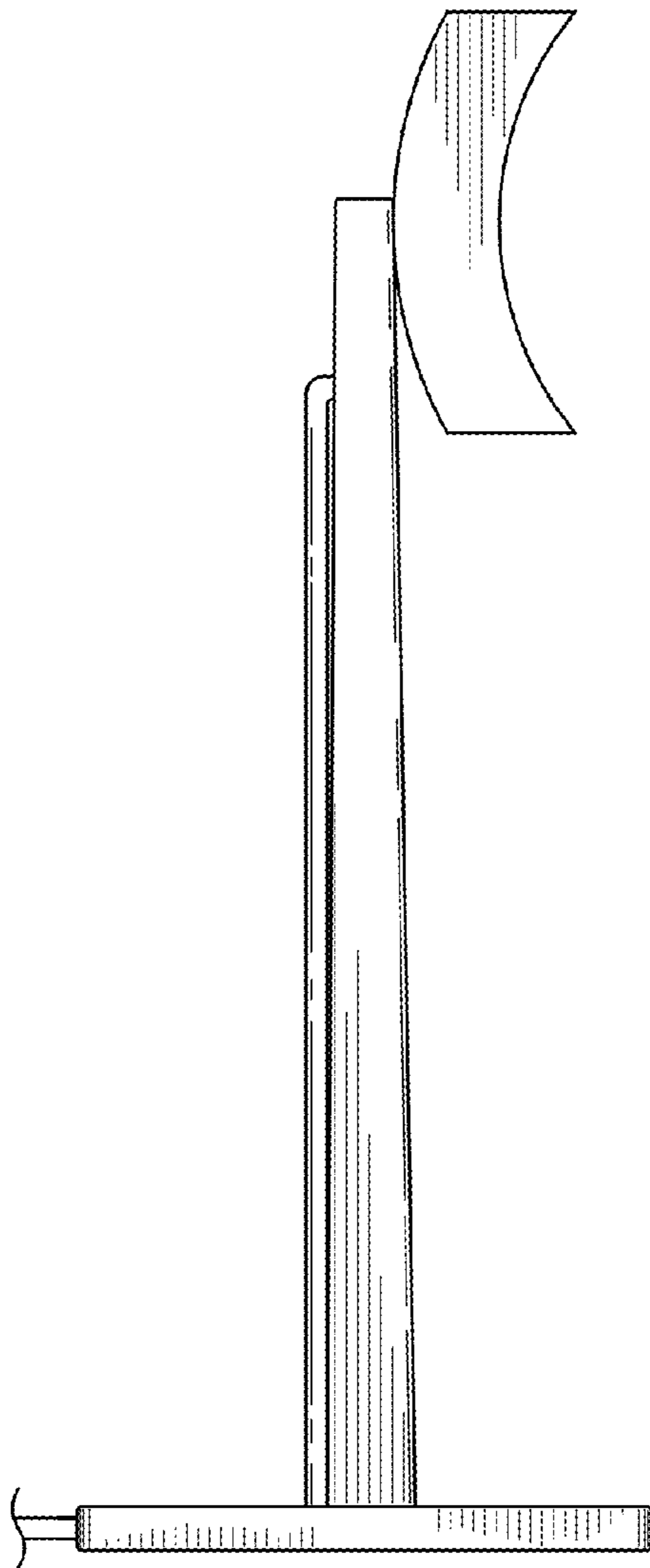


FIG. 4

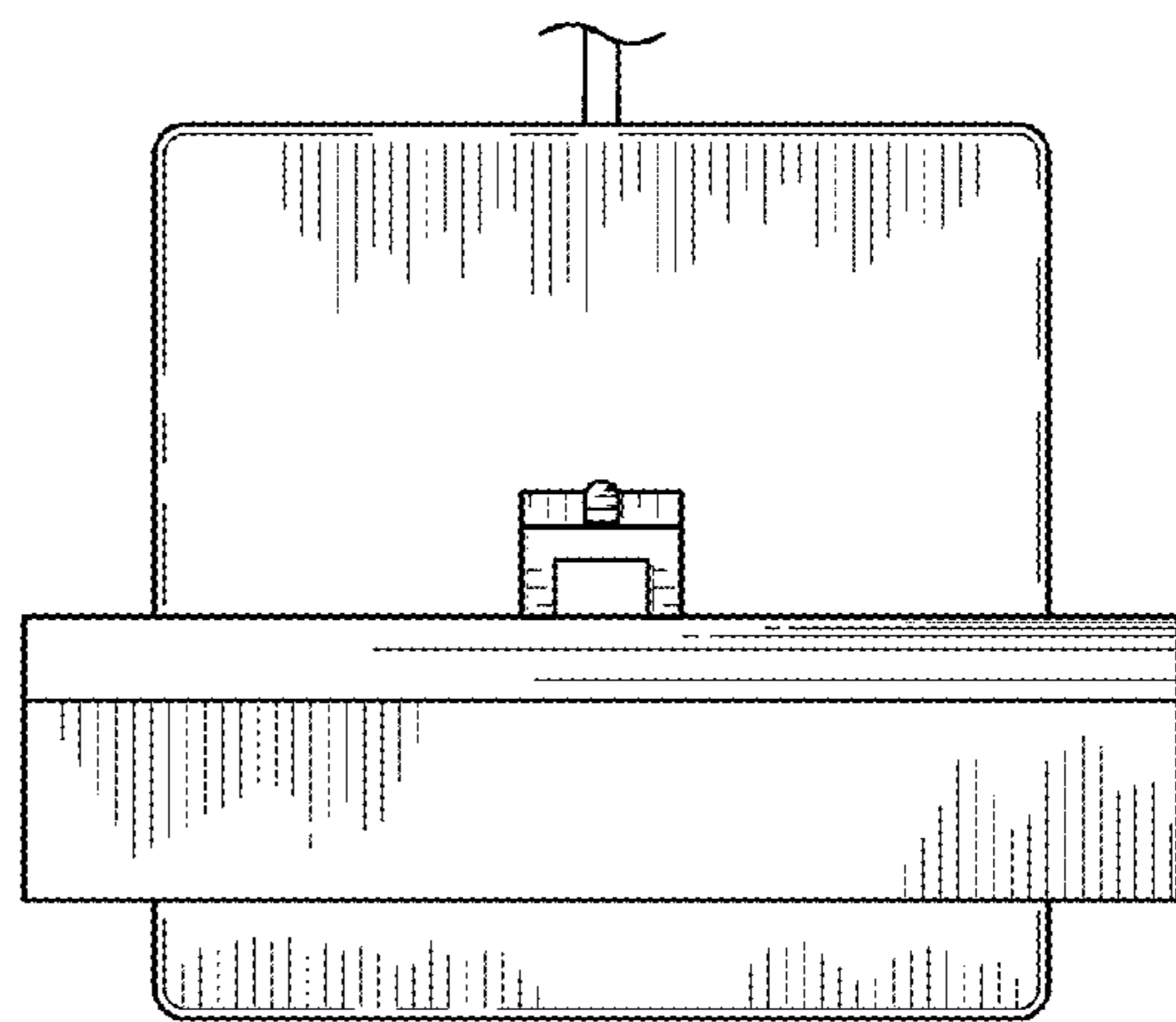


FIG. 5