



US00D761988S

(12) **United States Design Patent**
Asano et al.

(10) **Patent No.:** **US D761,988 S**
(45) **Date of Patent:** **** Jul. 19, 2016**

(54) **CAMERA LIGHT**

- (71) Applicant: **Nikon Corporation**, Tokyo (JP)
- (72) Inventors: **Hideaki Asano**, Chiba (JP); **Akio Shindate**, London (GB)
- (73) Assignee: **Nikon Corporation**, Tokyo (JP)
- (**) Term: **14 Years**
- (21) Appl. No.: **29/484,593**
- (22) Filed: **Mar. 11, 2014**

Related U.S. Application Data

(63) Continuation of application No. 29/415,356, filed on Mar. 9, 2012, now Pat. No. Des. 723,725.

(30) **Foreign Application Priority Data**

Sep. 15, 2011 (JP) 2011-021153

(51) **LOC (10) Cl.** **26-05**

(52) **U.S. Cl.**
USPC **D26/51**; D26/45; D16/239

(58) **Field of Classification Search**
 USPC D26/37, 38, 45, 46, 51, 52; 362/157, 362/158, 183, 184, 194-196, 202-208, 253, 362/3, 8, 16; D16/239, 240, 235, 208, 219; D23/263, 262, 266
 CPC H04N 2101/00; F21L 2/00; F21L 4/00; F21L 4/005; F21L 17/00; F21L 13/08; H04M 2250/20; F21Y 2101/00; F21V 21/30; F21V 21/406; F21W 2131/406; F21W 2131/407; A61M 1/1008; F16L 49/02

See application file for complete search history.

(56) **References Cited**

U.S. PATENT DOCUMENTS

D136,756 S	11/1943	Barash	
D154,627 S *	7/1949	Peterlin et al.	D26/38
D175,318 S *	8/1955	Schmidt	D26/45
D195,656 S *	7/1963	Cleek	D10/114.9
D233,908 S *	12/1974	Brindley	D26/37
D362,735 S	9/1995	Hiromori	
D376,859 S *	12/1996	Garrity, Sr.	D26/37
D420,156 S	2/2000	Poon	
D427,346 S	6/2000	Schoen	
D427,697 S	7/2000	Brazell et al.	

(Continued)

OTHER PUBLICATIONS

U.S. Appl. No. 29/415,356, filed Mar. 9, 2012, Asano et al.

Primary Examiner — Ian Simmons

Assistant Examiner — Carissa C Fitts

(74) *Attorney, Agent, or Firm* — Wolf, Greenfield & Sacks, P.C.

(57) **CLAIM**

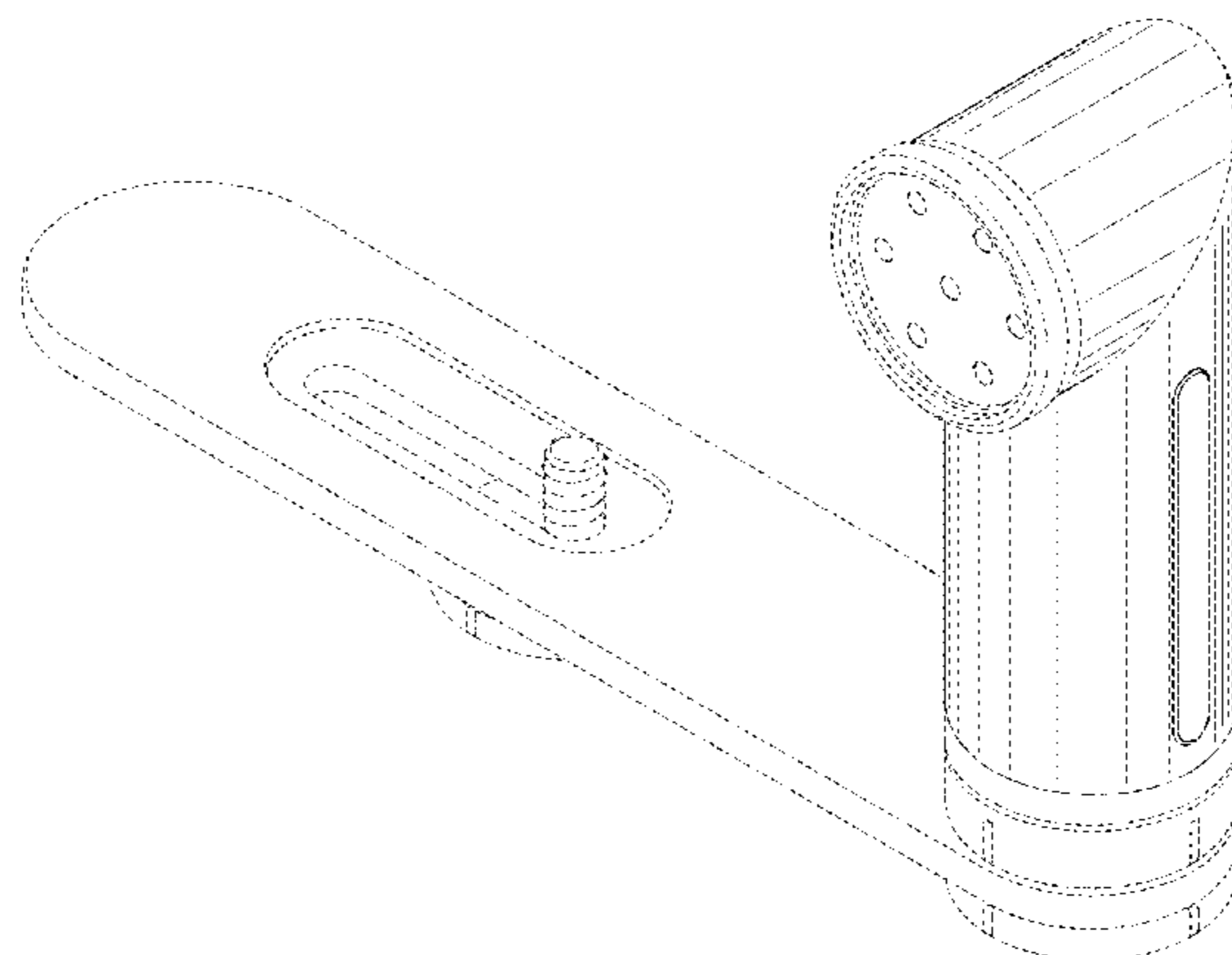
The ornamental design for a camera light, a shown and described.

DESCRIPTION

FIG. 1 is a front, top and right side perspective view of a camera light showing our new design;
 FIG. 2 is a rear, bottom and left side perspective view thereof;
 FIG. 3 is a front view thereof;
 FIG. 4 is a rear view thereof;
 FIG. 5 is a top plan view thereof;
 FIG. 6 is a bottom plan view thereof;
 FIG. 7 is a right side view thereof;
 FIG. 8 is a left side view thereof; and,
 FIG. 9 is a front perspective view thereof, shown attached to a camera.

The features shown in broken lines in the drawings depict environmental subject matter only and form no part of the claimed design. The dash-dotted lines denote the boundary of the claim and form no part of the claims design.

1 Claim, 9 Drawing Sheets



US D761,988 S

Page 2

(56)

References Cited

U.S. PATENT DOCUMENTS

D445,925 S	7/2001	Parker	
D527,130 S	8/2006	Garrity et al.	
D549,863 S *	8/2007	Garrity	D26/45
D605,795 S	12/2009	Baker et al.	
D615,631 S *	5/2010	Price et al.	D23/263
D620,161 S *	7/2010	Kang et al.	D26/45
D623,323 S	9/2010	Kung	
8,142,045 B2	3/2012	Peak	
D684,669 S *	6/2013	Eilmus	D23/243
D693,042 S	11/2013	Wu	
D704,811 S *	5/2014	Yu	D23/262
D706,476 S	6/2014	Lee	
D712,015 S *	8/2014	Yu	D23/263
D718,481 S *	11/2014	Lee	D26/45
D723,725 S *	3/2015	Asano et al.	D26/51

* cited by examiner

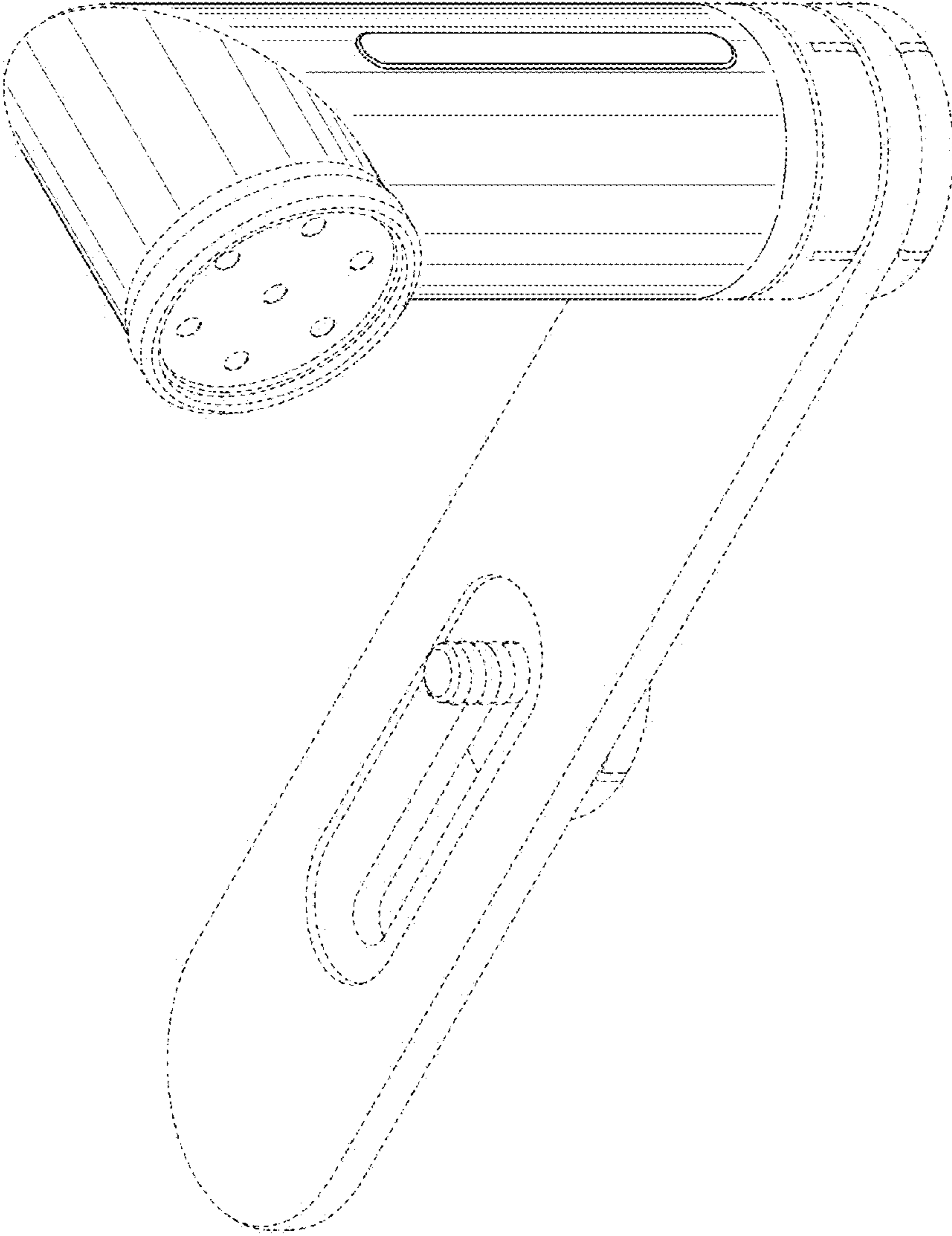
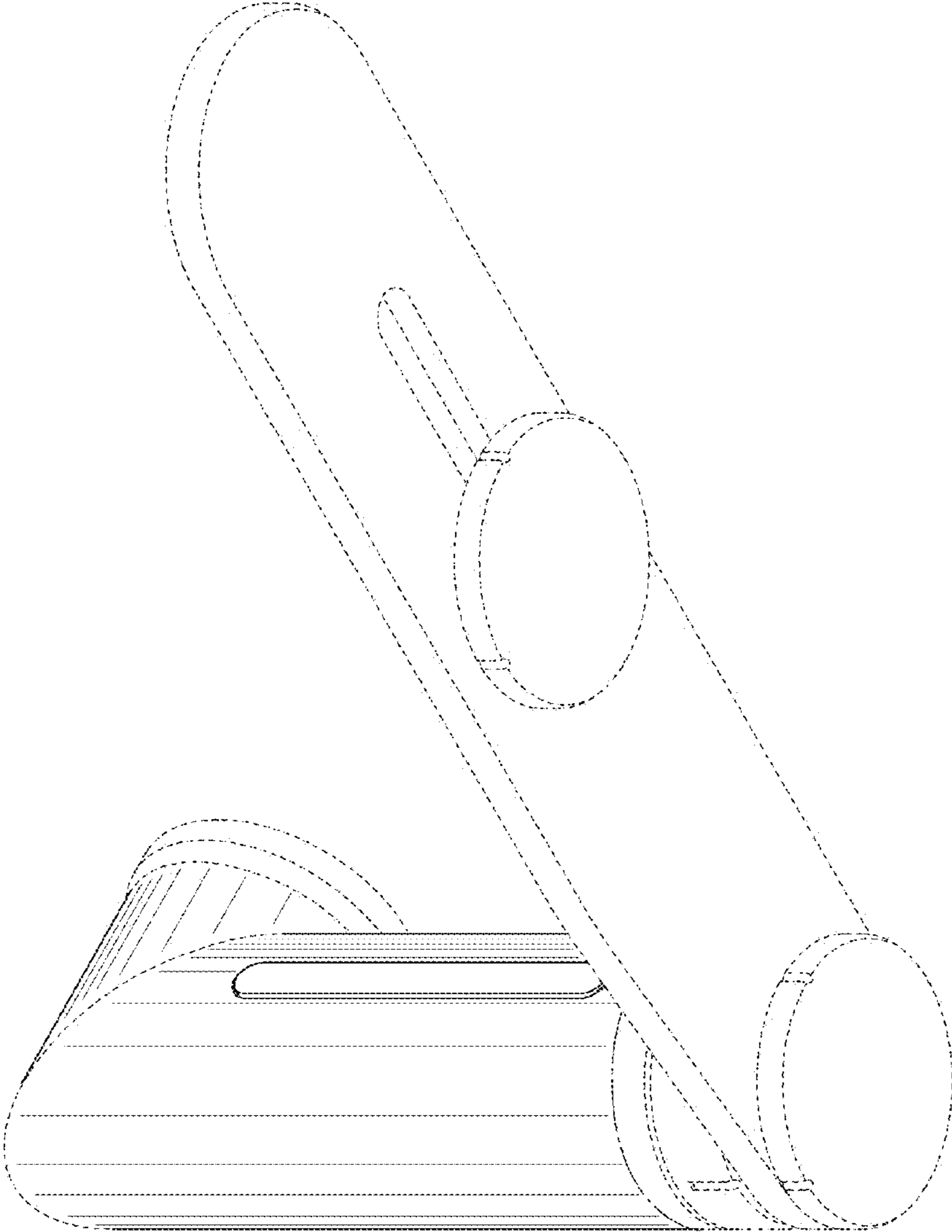


FIG. 1

FIG. 2



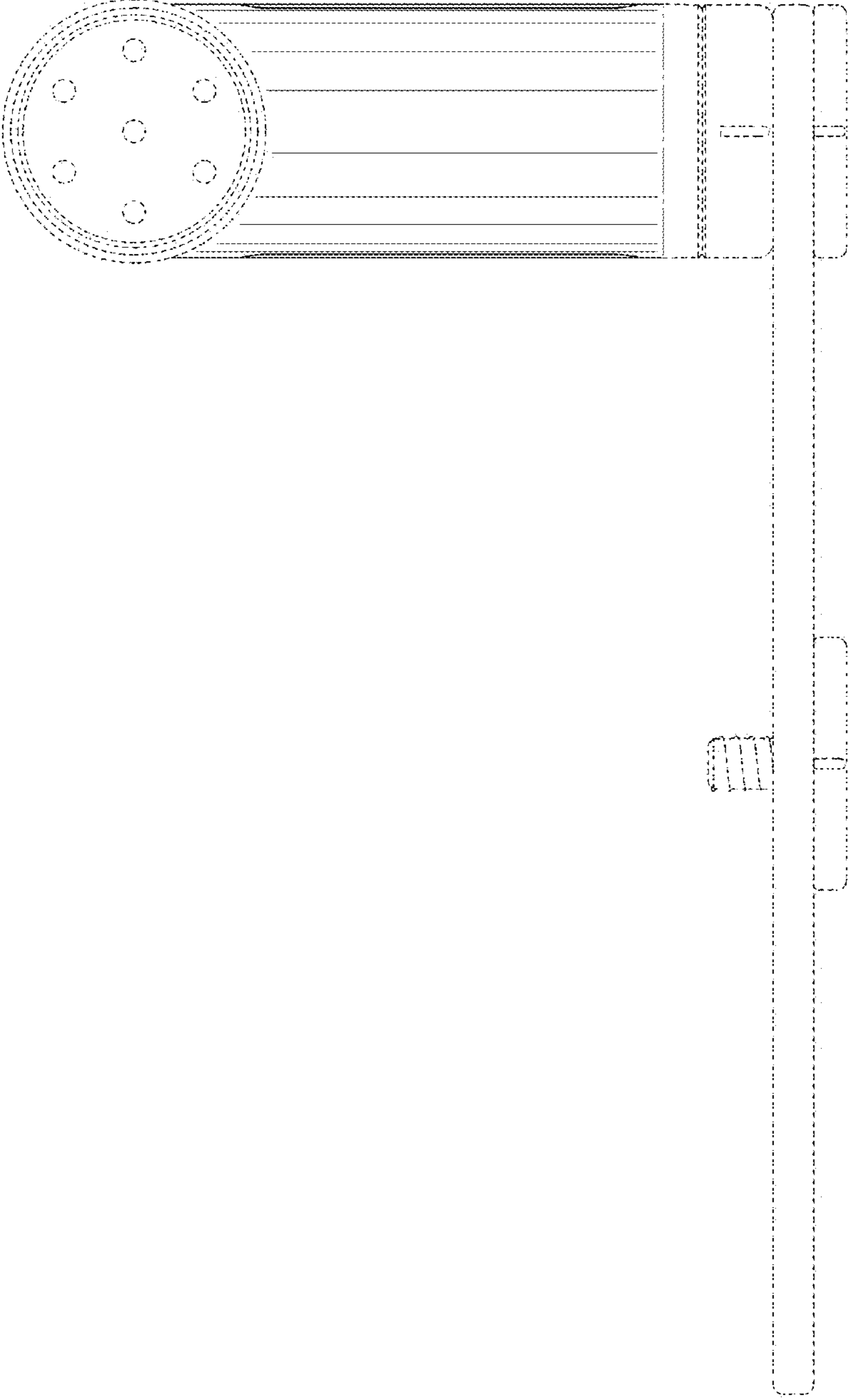
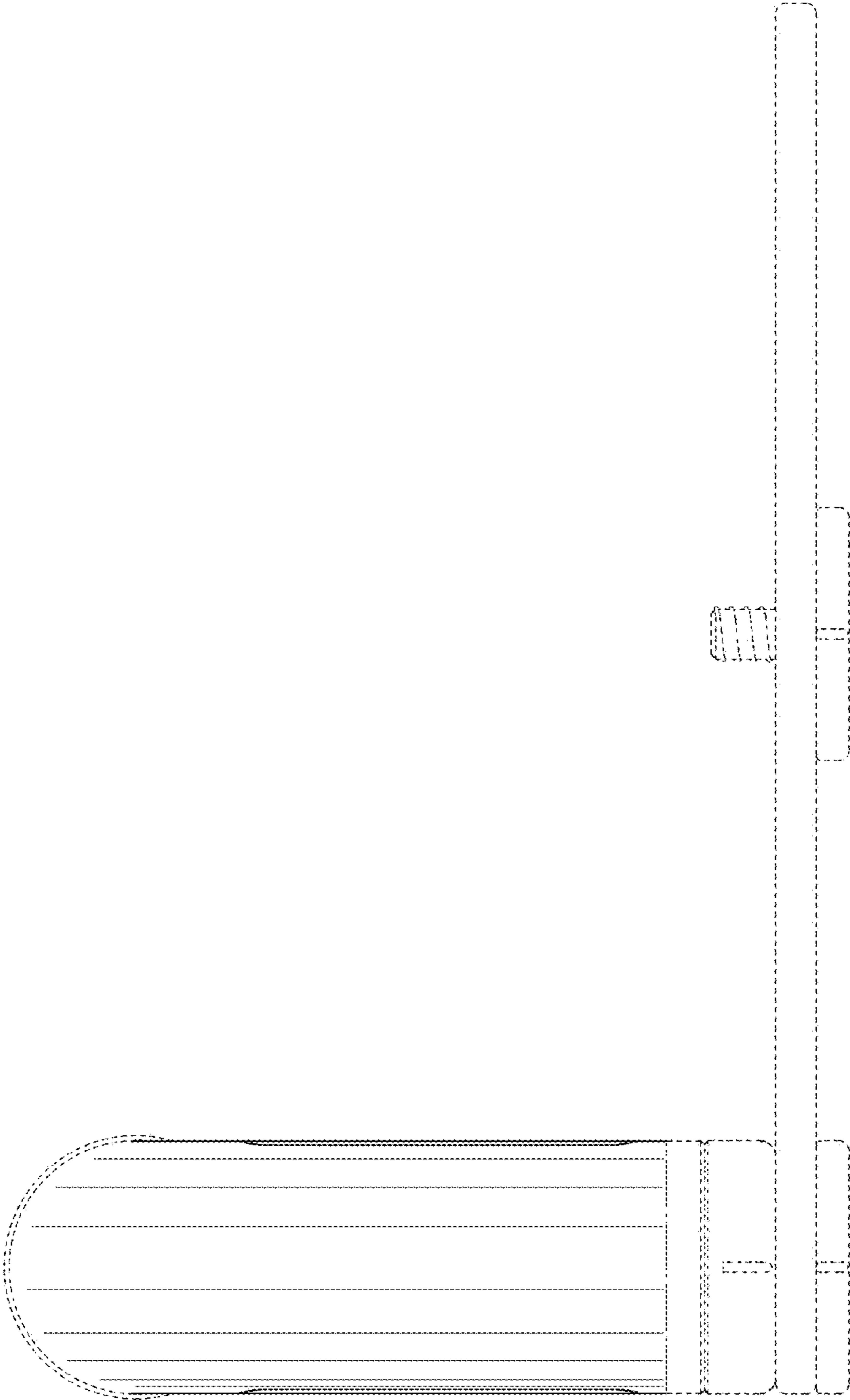


FIG. 3

FIG. 4



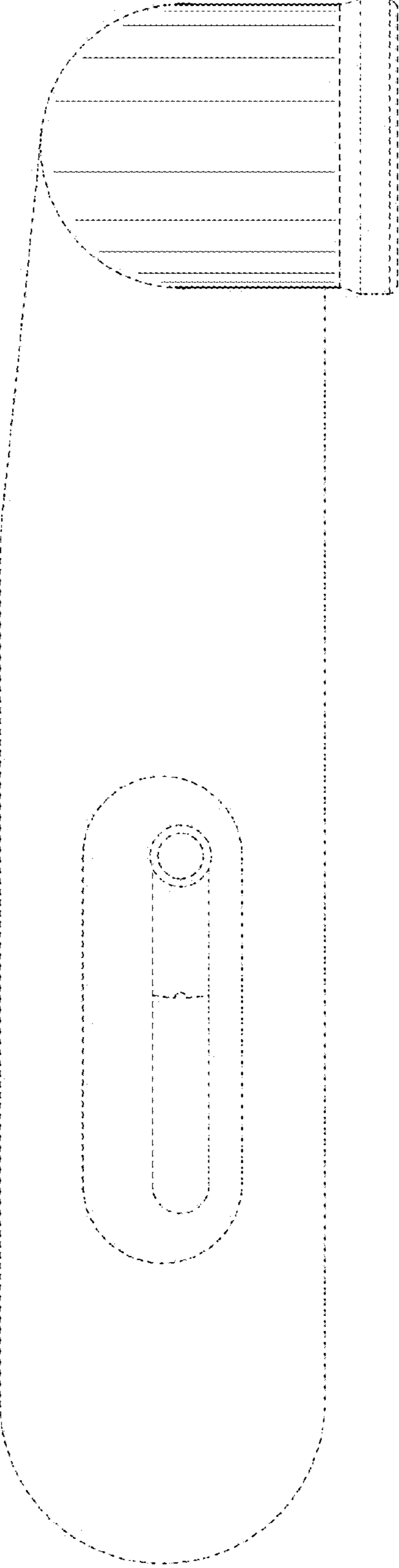


FIG. 5

FIG. 6

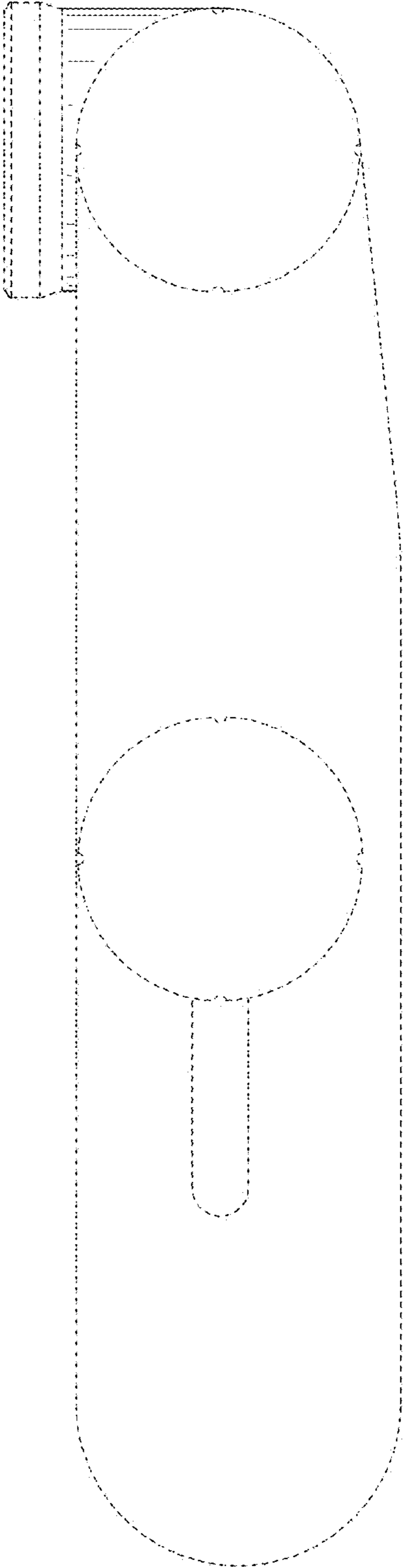


FIG. 7

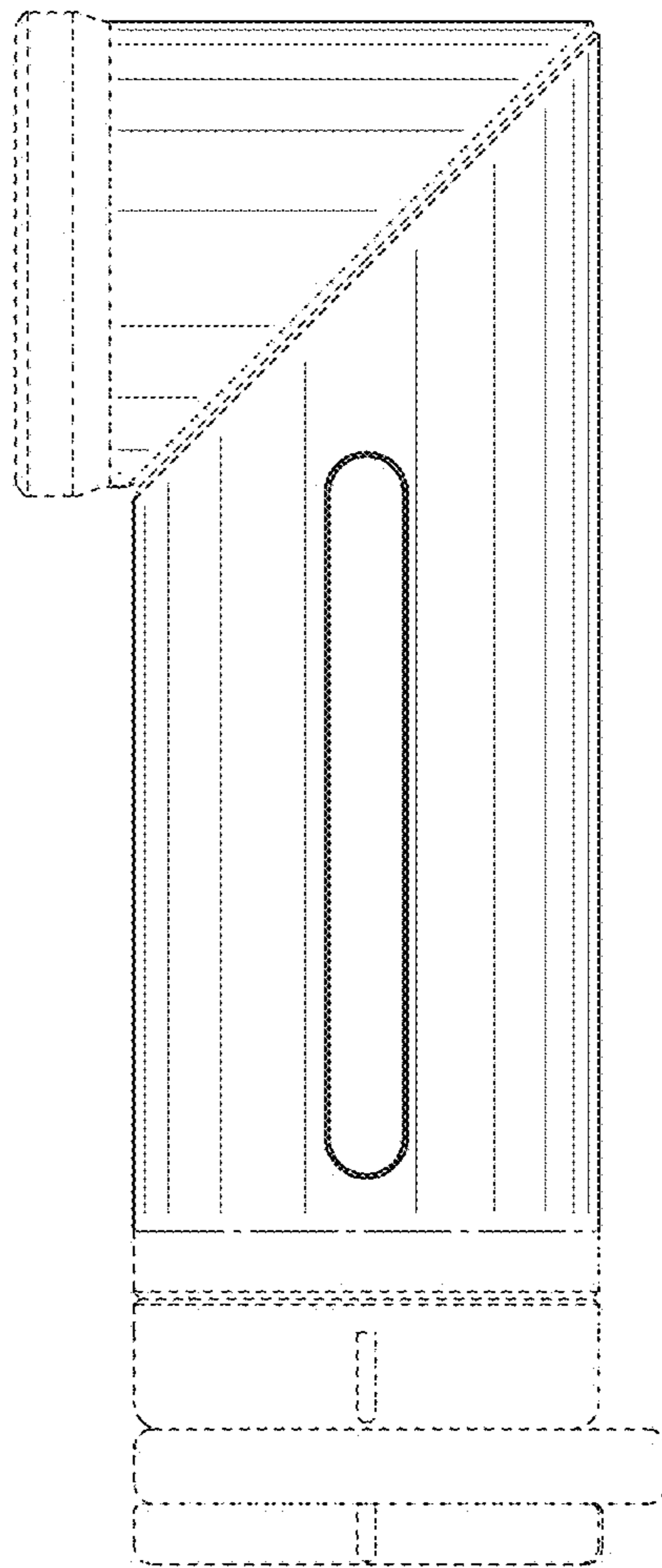
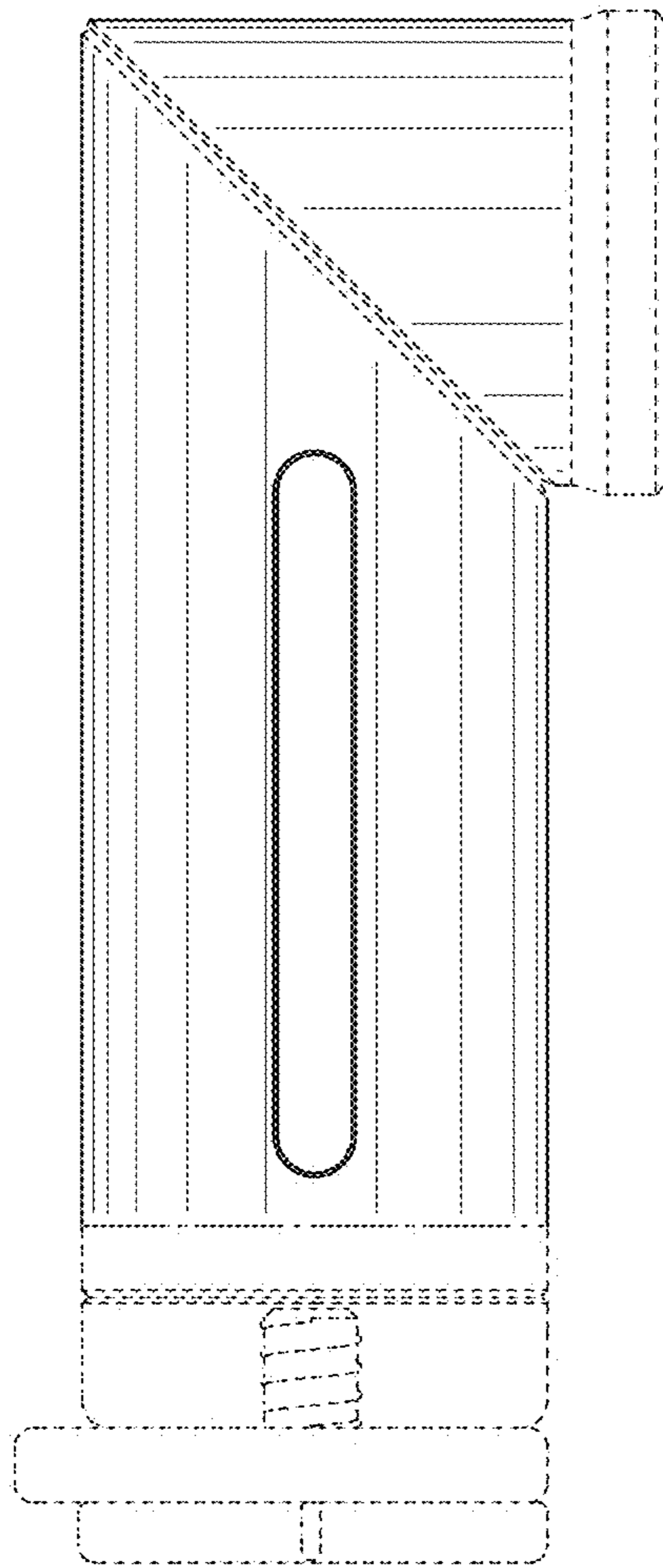


FIG. 8



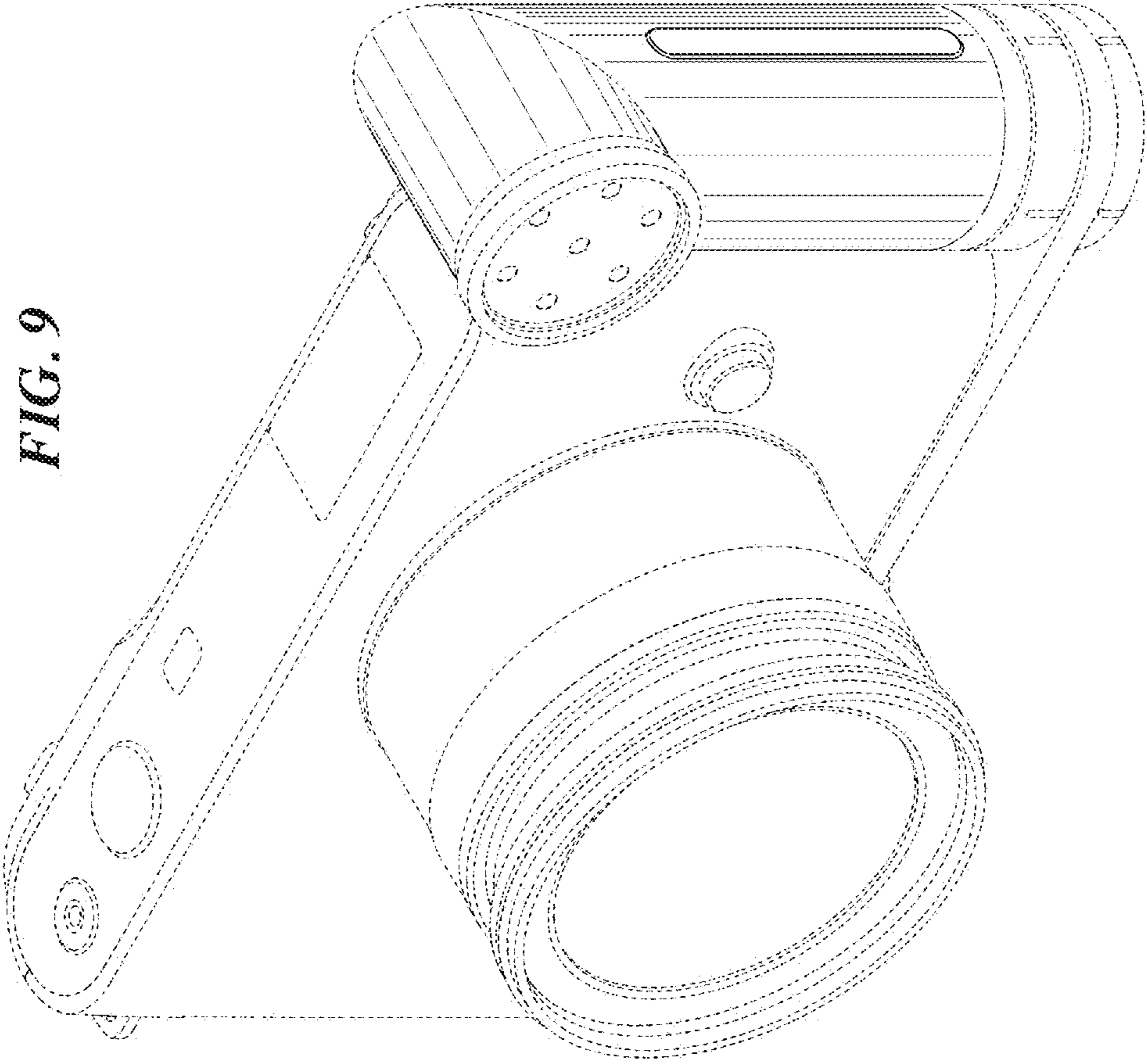


FIG. 9