



US00D761986S

(12) **United States Design Patent**  
**Obatake et al.**

(10) **Patent No.:** **US D761,986 S**  
(45) **Date of Patent:** **\*\* Jul. 19, 2016**

(54) **REAR LIGHT FOR MOTOR VEHICLE**

(71) Applicant: **Mazda Motor Corporation**, Hiroshima (JP)

(72) Inventors: **Takuya Obatake**, Hiroshima (JP);  
**Atsushi Yoshida**, Hiroshima (JP);  
**Kazuhiro Ito**, Hiroshima (JP)

(73) Assignee: **Mazda Motor Corporation**, Hiroshima (JP)

(\*\*) Term: **15 Years**

(21) Appl. No.: **29/529,668**

(22) Filed: **Jun. 9, 2015**

(51) **LOC (10) Cl.** ..... **28-07**

(52) **U.S. Cl.**  
USPC ..... **D26/28**

(58) **Field of Classification Search**  
USPC ..... D26/28-36; 362/459-468, 475-478,  
362/485-487  
CPC ..... F21S 48/00; F21S 48/10; F21S 48/115;  
F21S 48/225; F21S 48/1233; F21S 48/1266;  
F21S 48/1388; F21S 48/2268; F21V 21/04  
See application file for complete search history.

(56) **References Cited**

**U.S. PATENT DOCUMENTS**

D364,239 S \* 11/1995 Sacco ..... D26/28  
D637,319 S \* 5/2011 Jeong ..... D26/28

D691,302 S \* 10/2013 Lai ..... D26/28  
D708,769 S \* 7/2014 Badstuebner ..... D26/28  
D709,218 S \* 7/2014 Kim ..... D26/28  
D709,219 S \* 7/2014 Kim ..... D26/28  
D715,470 S \* 10/2014 Yoshida ..... D26/28  
D739,578 S \* 9/2015 Han ..... D26/28  
D740,463 S \* 10/2015 Ko ..... D26/28  
D746,495 S \* 12/2015 Gorsten Schuenemann .. D26/28  
D746,496 S \* 12/2015 Loeb ..... D26/28  
D748,827 S \* 2/2016 Katou ..... D26/28  
D750,299 S \* 2/2016 Morikawa ..... D26/28

\* cited by examiner

*Primary Examiner* — Angela J Lee

(74) *Attorney, Agent, or Firm* — Studebaker & Brackett PC

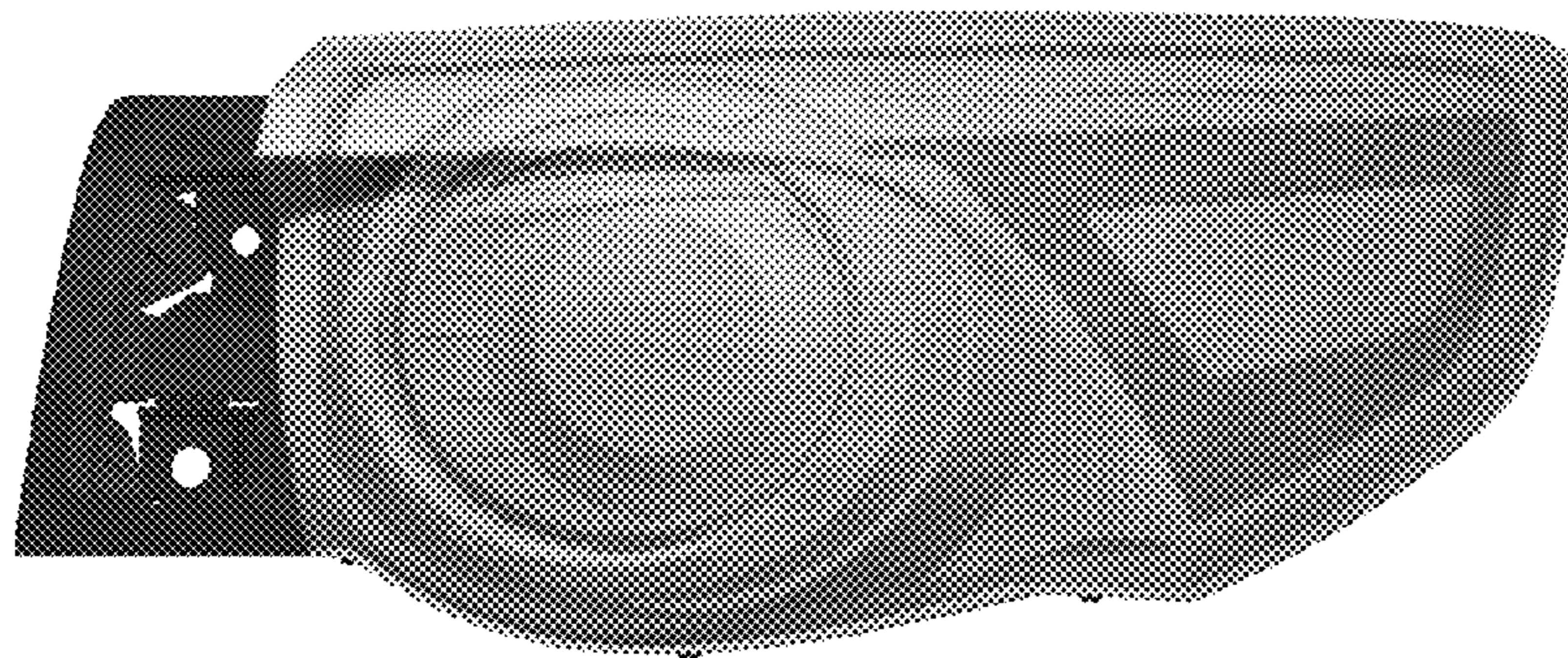
(57) **CLAIM**

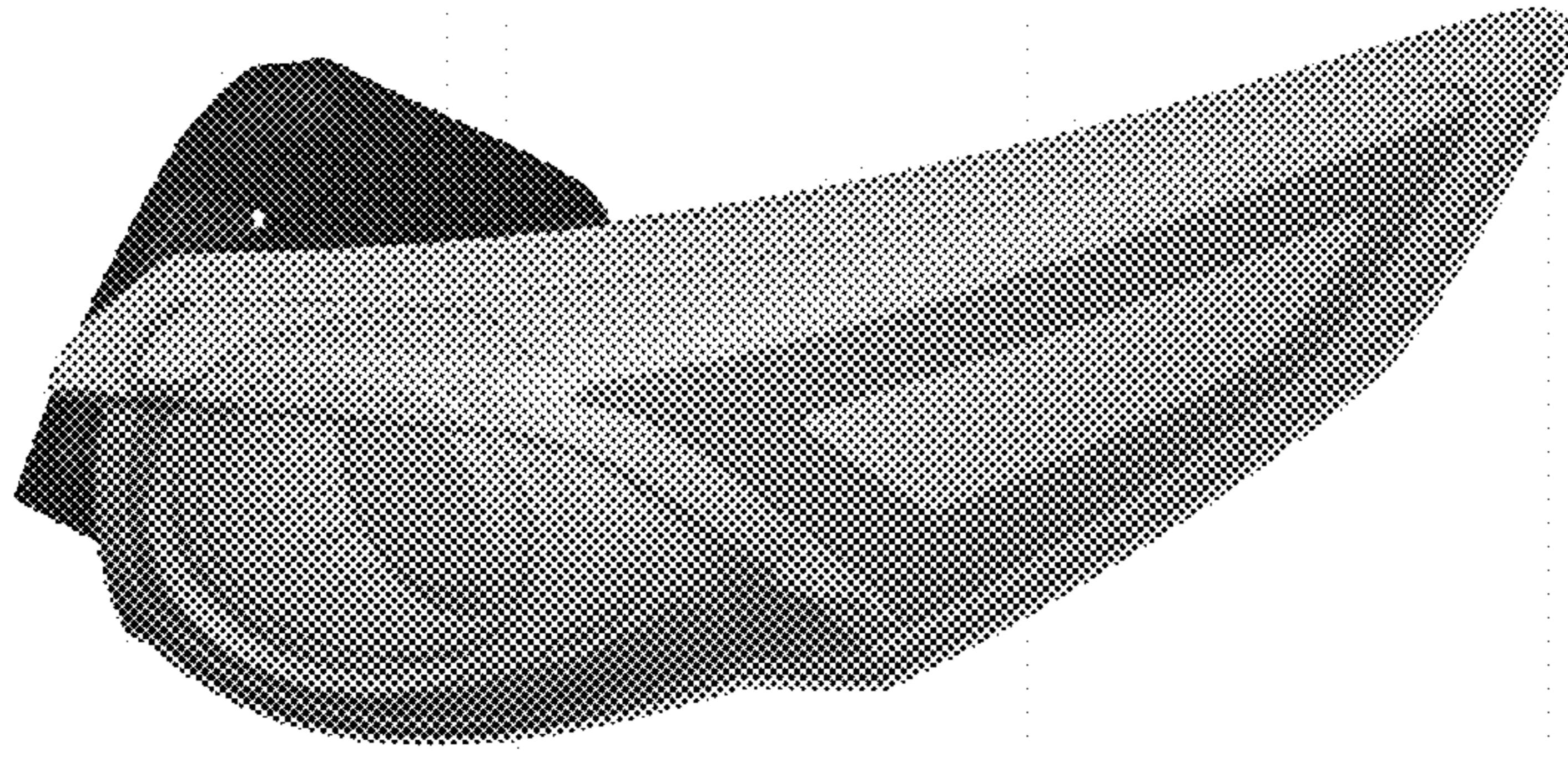
The ornamental design for a rear light for motor vehicle, as shown and described.

**DESCRIPTION**

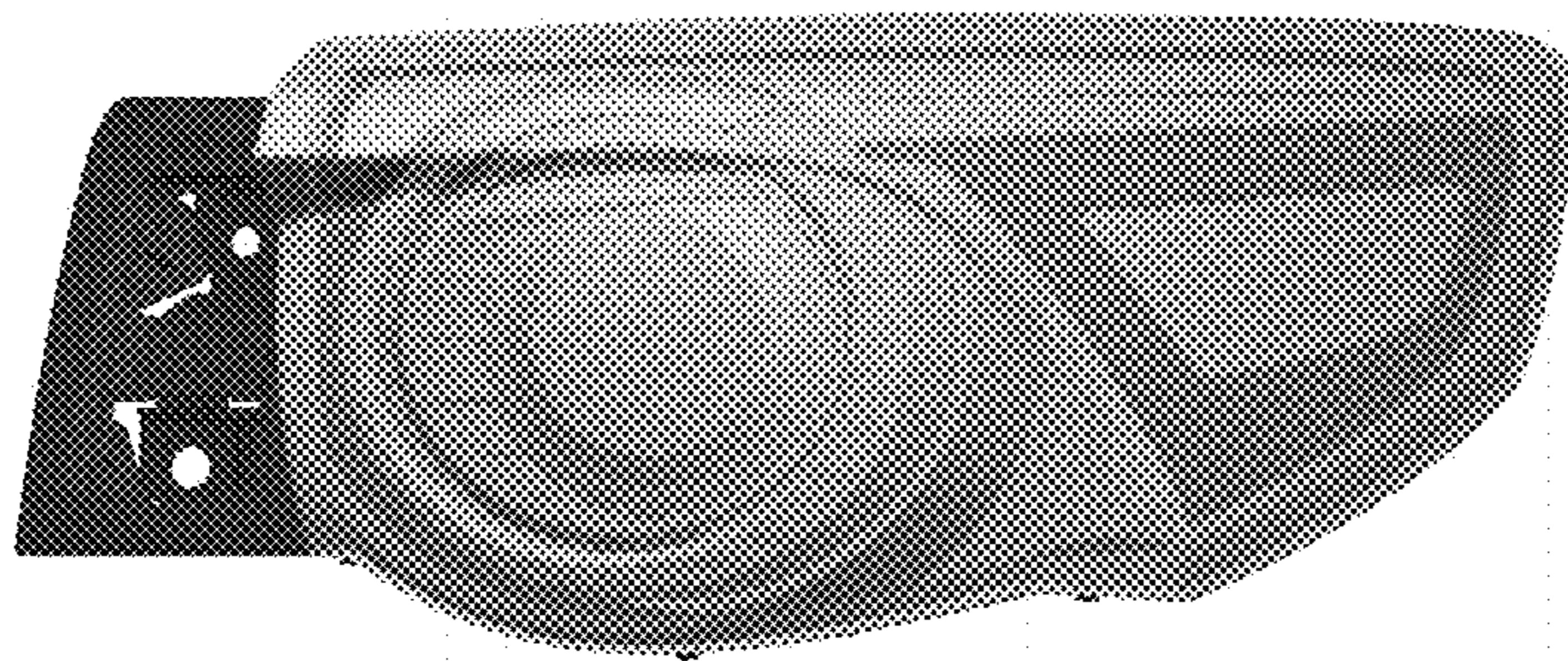
FIG. 1 is a first perspective view of a rear light for motor vehicle;  
FIG. 2 is a second perspective view thereof;  
FIG. 3 is a front view thereof;  
FIG. 4 is a rear view thereof;  
FIG. 5 is a left side view thereof;  
FIG. 6 is a right side view thereof;  
FIG. 7 is a top view thereof; and,  
FIG. 8 is a bottom view thereof.

**1 Claim, 4 Drawing Sheets**



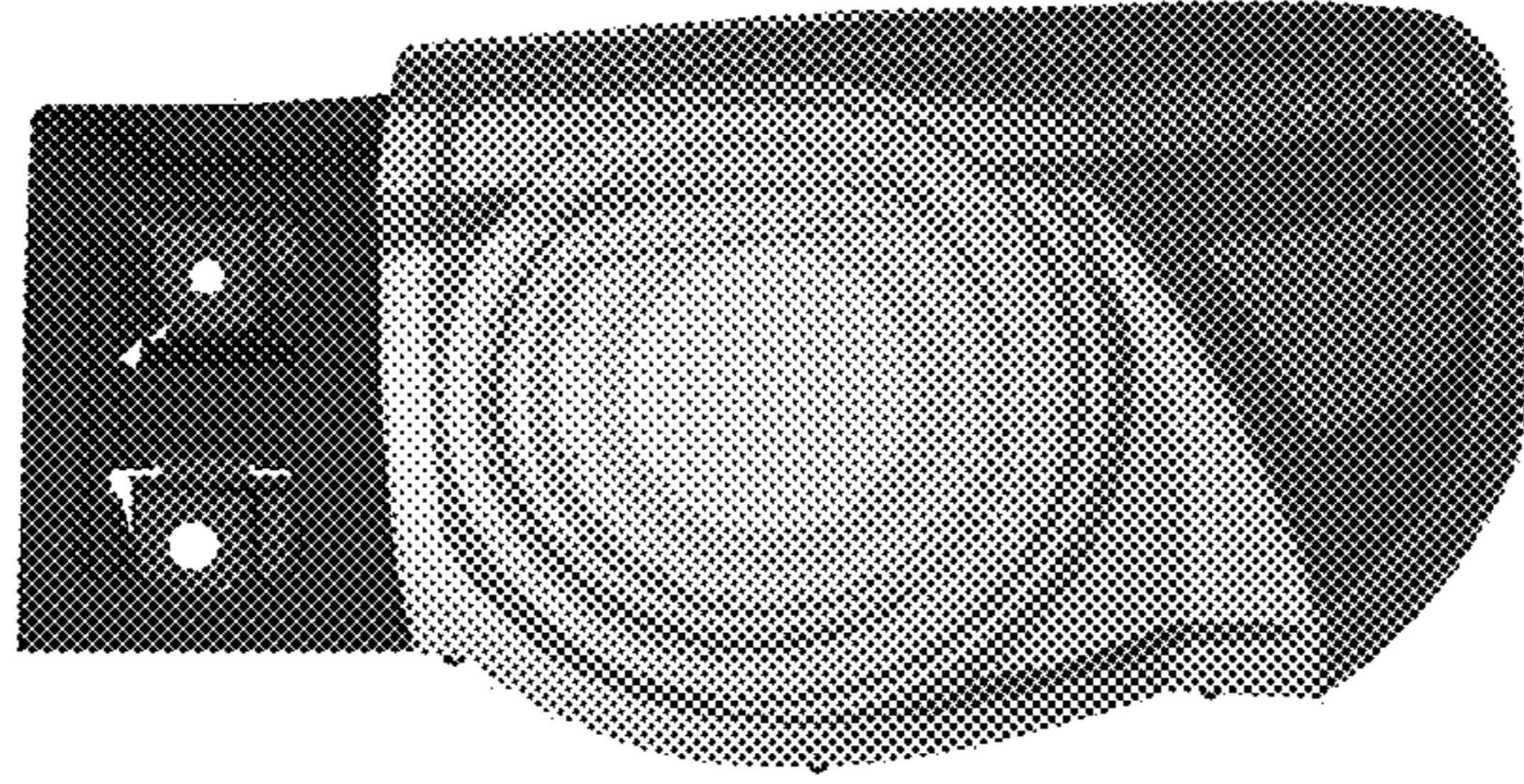


**FIG. 1**

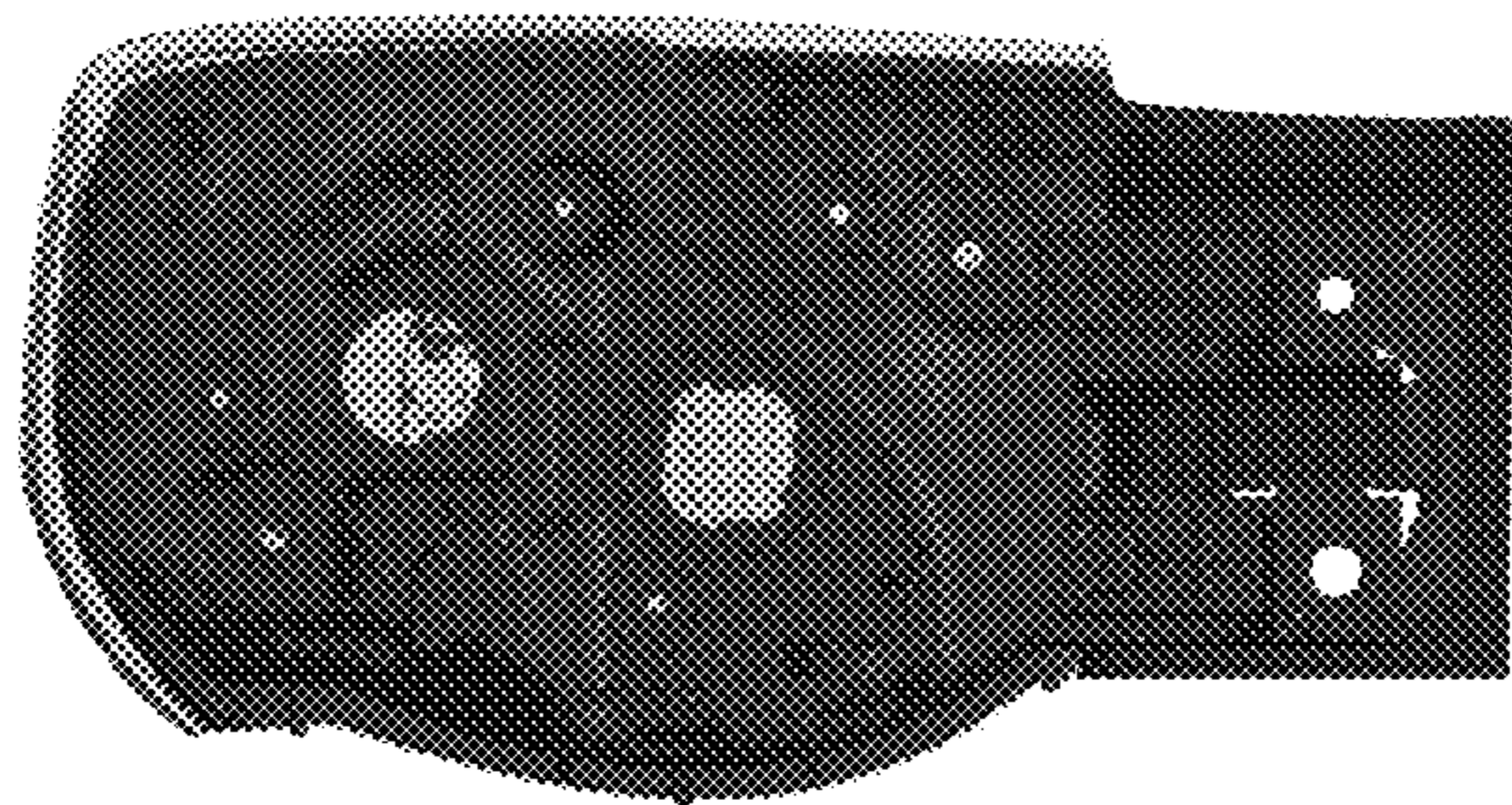


**FIG. 2**

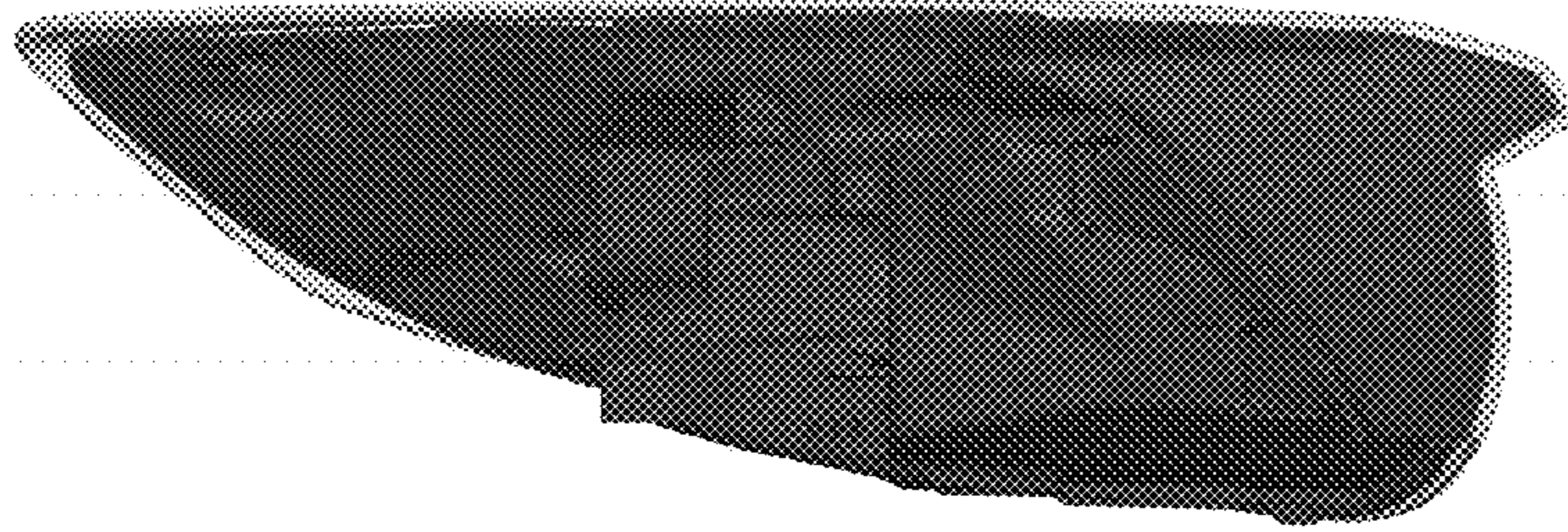




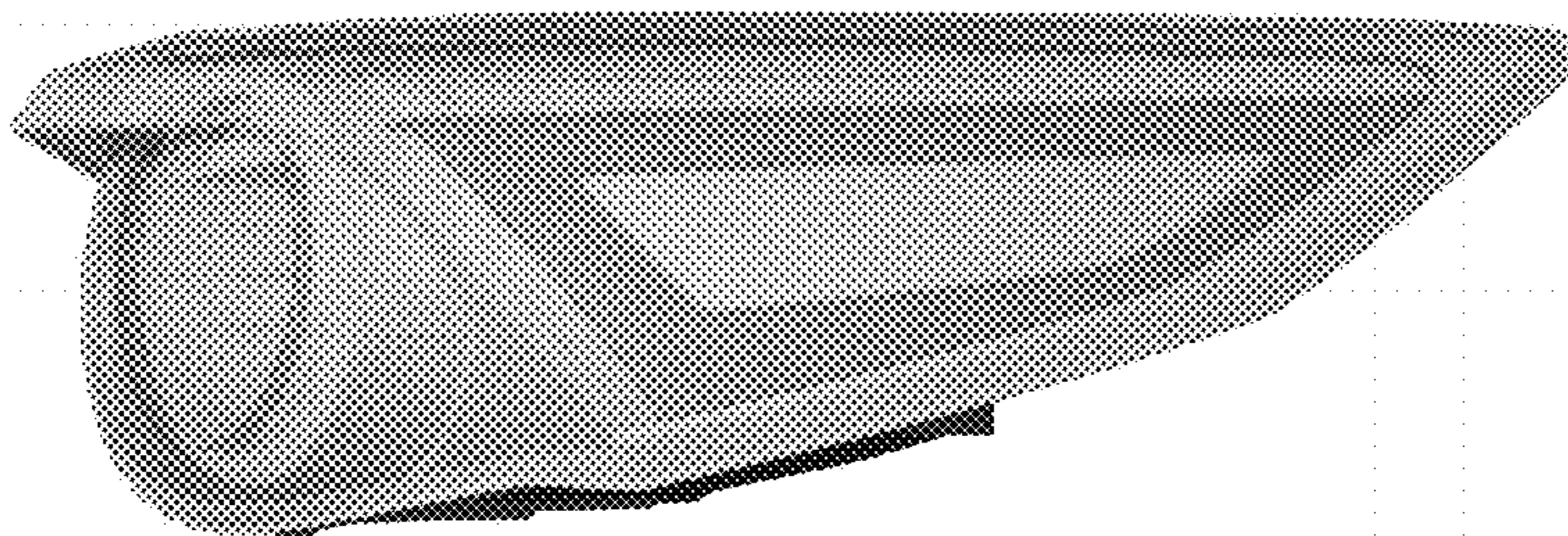
***FIG.3***



***FIG.4***

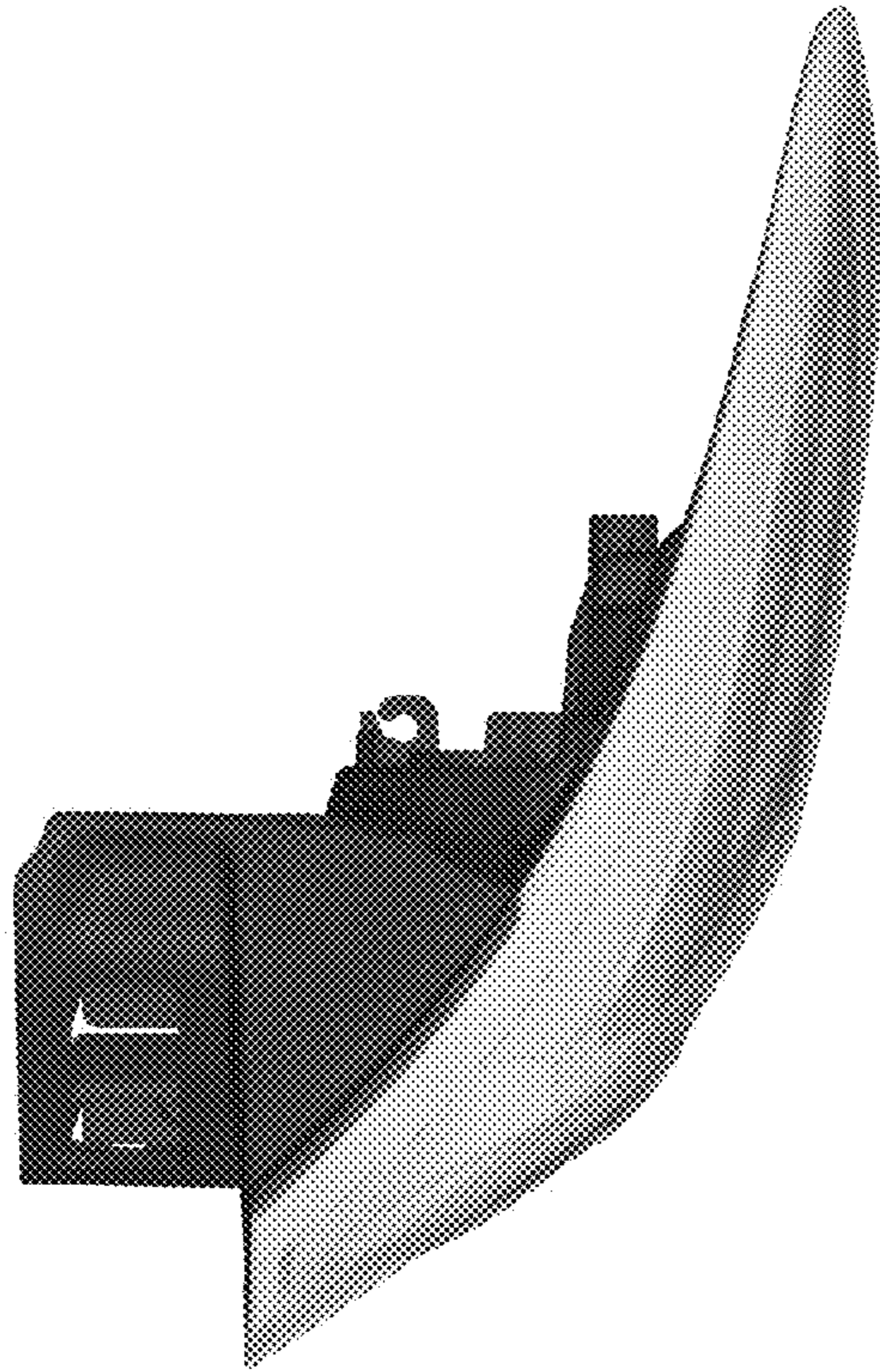


**FIG. 5**

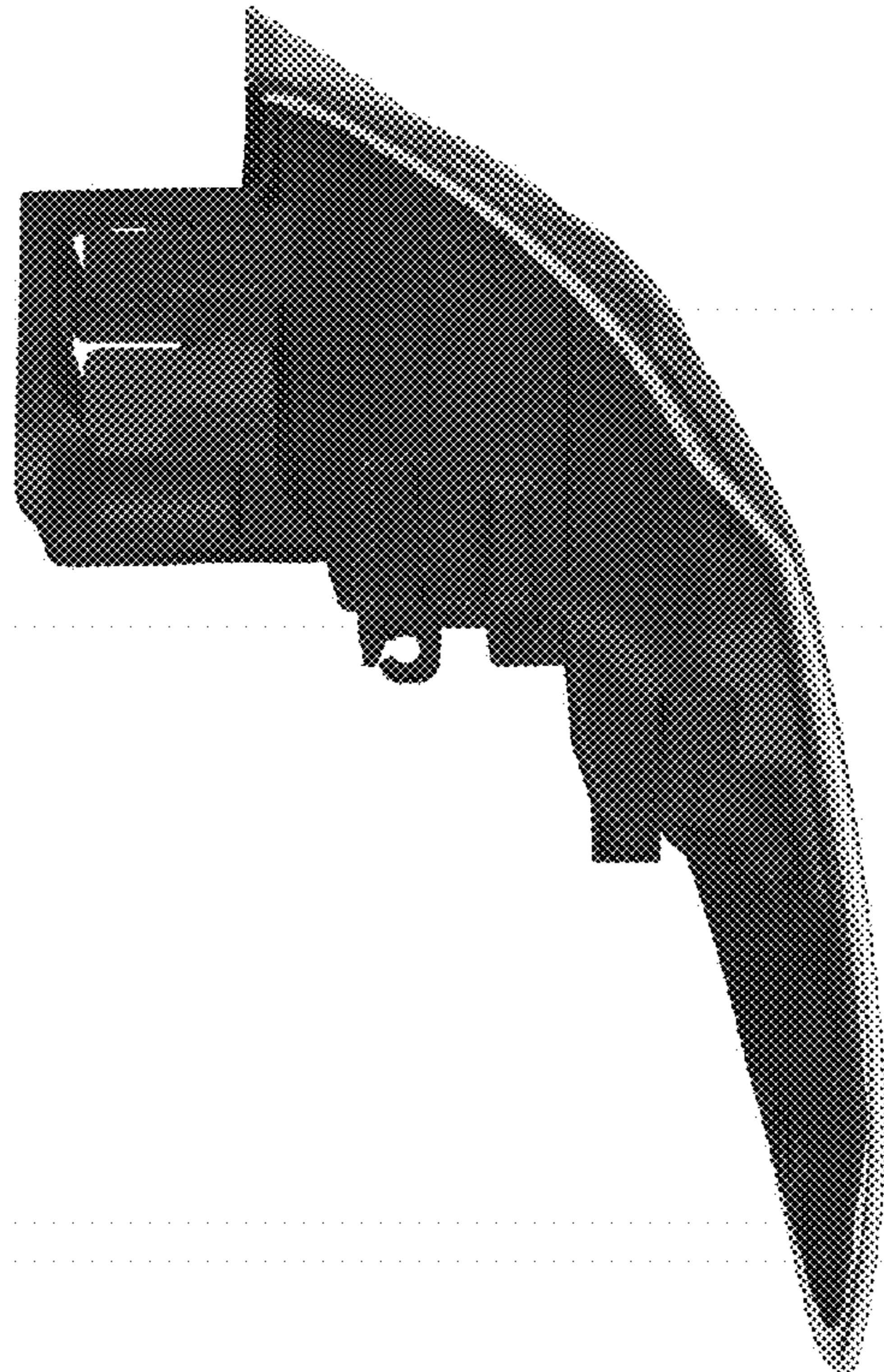


**FIG. 6**





**FIG. 7**



**FIG. 8**