

US00D761985S

(12) **United States Design Patent**
Kayakabe et al.

(10) **Patent No.:** **US D761,985 S**
(45) **Date of Patent:** **** Jul. 19, 2016**

(54) **HEADLIGHT FOR MOTOR VEHICLE**

(71) Applicant: **Mazda Motor Corporation**, Hiroshima (JP)

(72) Inventors: **Ryouichi Kayakabe**, Hiroshima (JP);
Atsushi Yoshida, Hiroshima (JP);
Shinichi Harada, Hiroshima (JP)

(73) Assignee: **Mazda Motor Corporation**, Hiroshima (JP)

(**) Term: **15 Years**

(21) Appl. No.: **29/529,666**

(22) Filed: **Jun. 9, 2015**

(51) **LOC (10) Cl.** **26-07**

(52) **U.S. Cl.**
USPC **D26/28**

(58) **Field of Classification Search**
USPC D26/28-36; 362/459-468, 475-478,
362/485-487
CPC F21S 48/00; F21S 48/10; F21S 48/115;
F21S 48/225; F21S 48/1233; F21S 48/1266;
F21S 48/1388; F21S 48/2268; F21V 21/04
See application file for complete search history.

(56) **References Cited**

U.S. PATENT DOCUMENTS

D637,319 S * 5/2011 Jeong D26/28
D691,302 S * 10/2013 Lai D26/28

D701,335 S * 3/2014 Jeong D26/28
D708,366 S * 7/2014 Minamisawa D26/28
D708,769 S * 7/2014 Badstuebner D26/28
D709,218 S * 7/2014 Kim D26/28
D709,219 S * 7/2014 Kim D26/28
D728,135 S * 4/2015 Ha D26/28
D739,578 S * 9/2015 Han D26/28
D740,463 S * 10/2015 Ko D26/28
D745,726 S * 12/2015 McMahan D26/28
D746,496 S * 12/2015 Loeb D26/28
D750,299 S * 2/2016 Morikawa D26/28

* cited by examiner

Primary Examiner — Angela J Lee

(74) *Attorney, Agent, or Firm* — Studebaker & Brackett PC

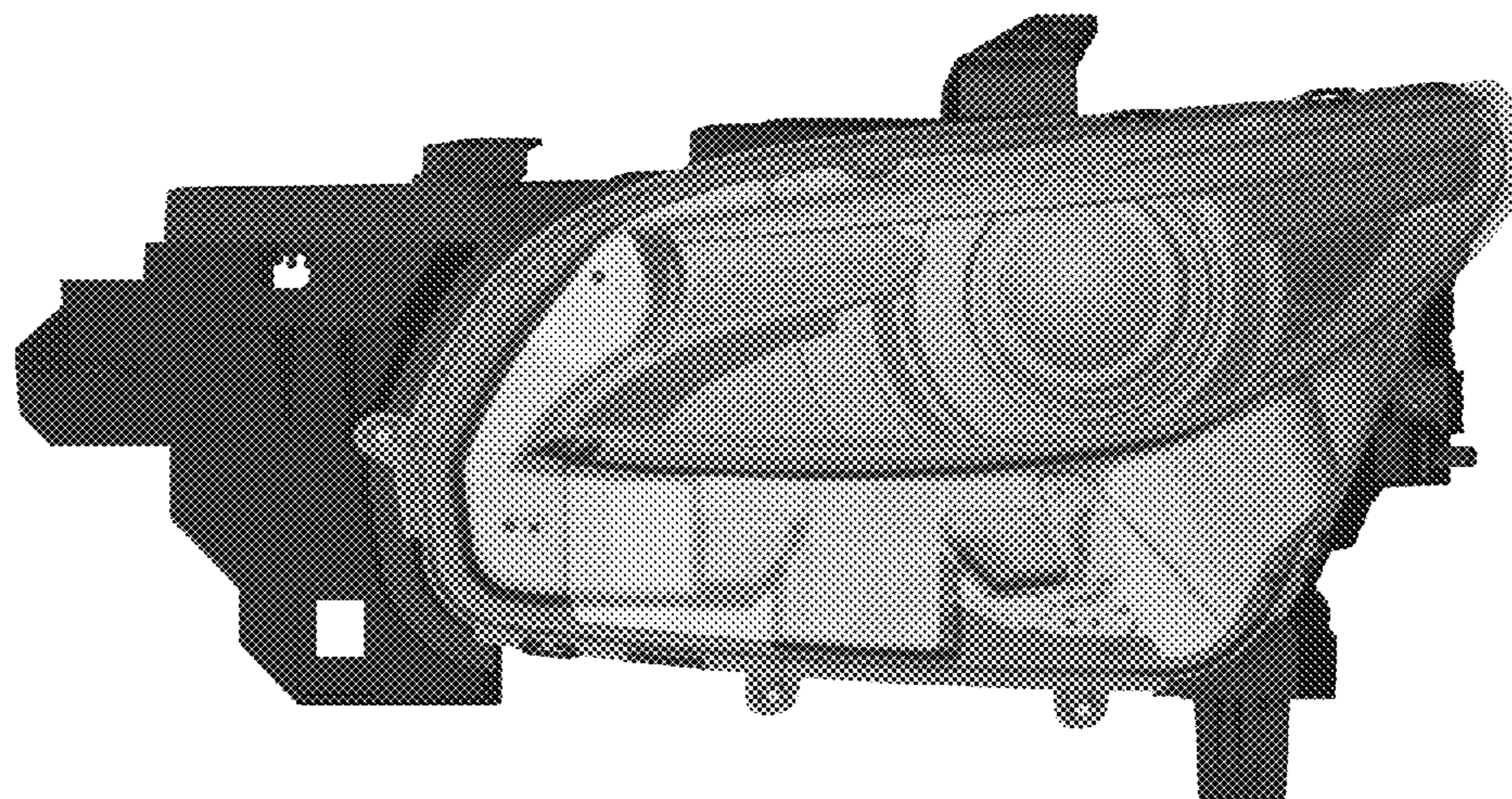
(57) **CLAIM**

The ornamental design for a headlight for motor vehicle, as shown and described.

DESCRIPTION

FIG. 1 is a first perspective view of a headlight for motor vehicle;
FIG. 2 is a second perspective view thereof;
FIG. 3 is a front view thereof;
FIG. 4 is a rear view thereof;
FIG. 5 is a left side view thereof;
FIG. 6 is a right side view thereof;
FIG. 7 is a top view thereof; and,
FIG. 8 is a bottom view thereof.

1 Claim, 4 Drawing Sheets



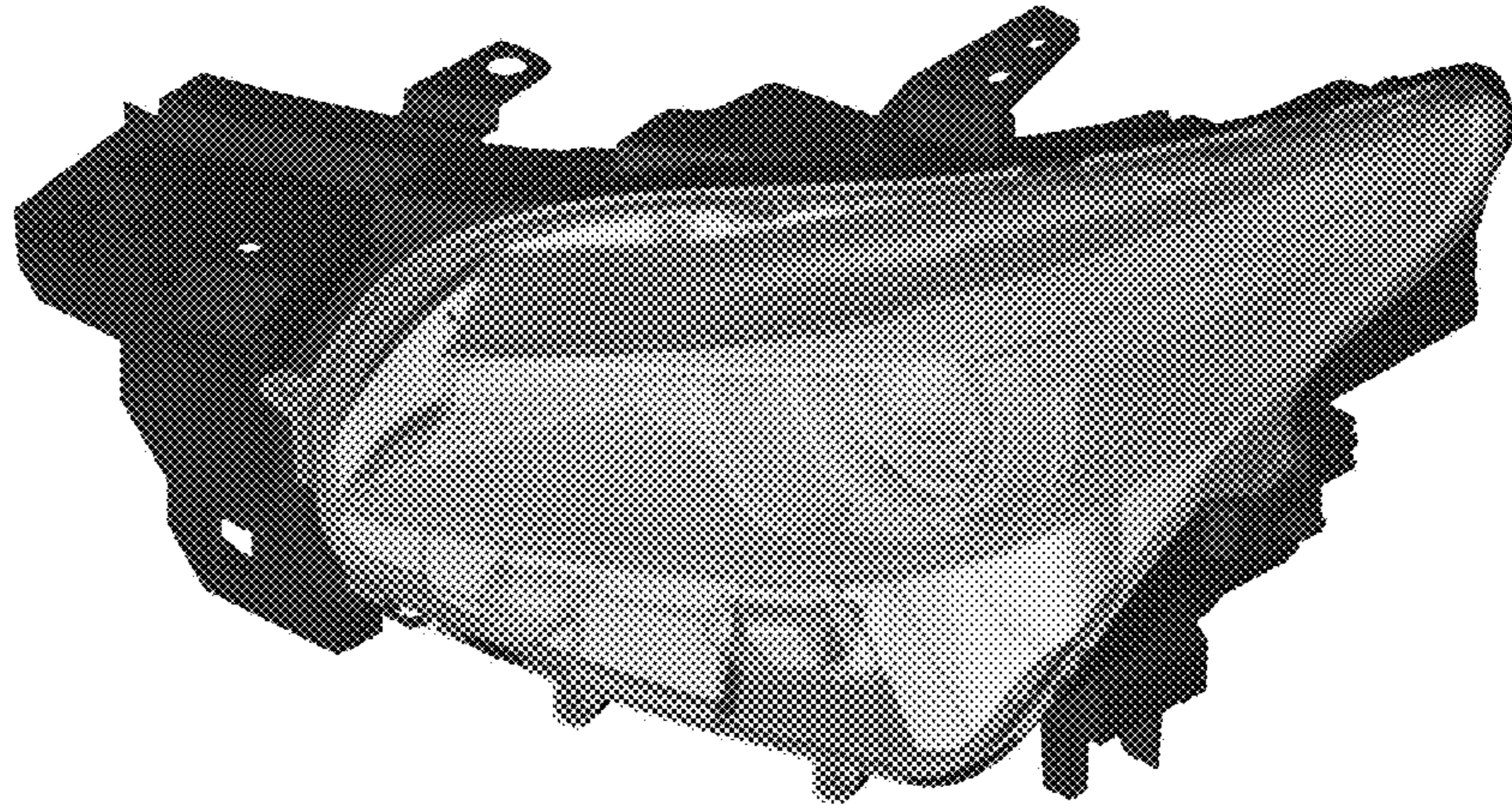


FIG. 1

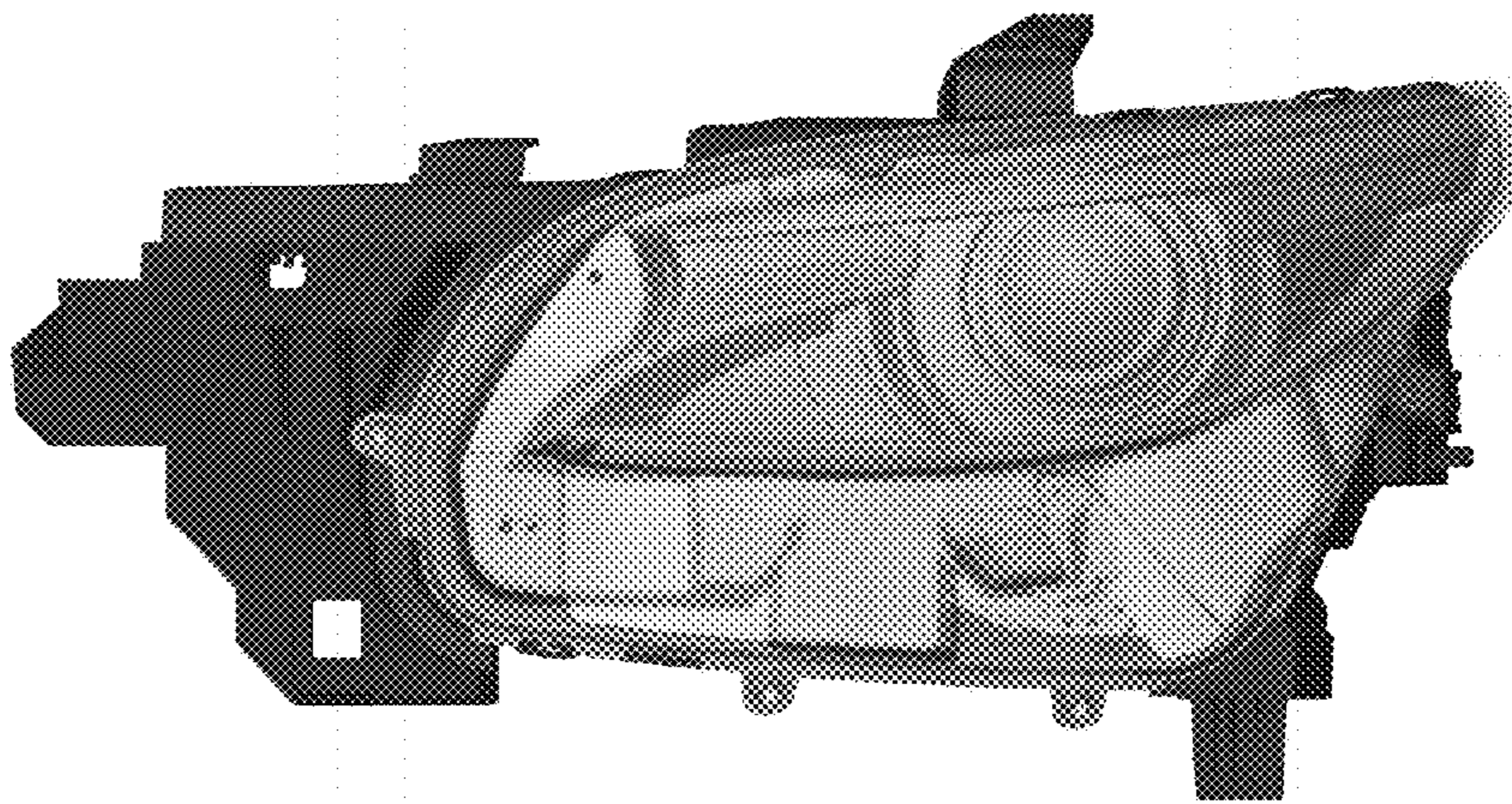


FIG. 2

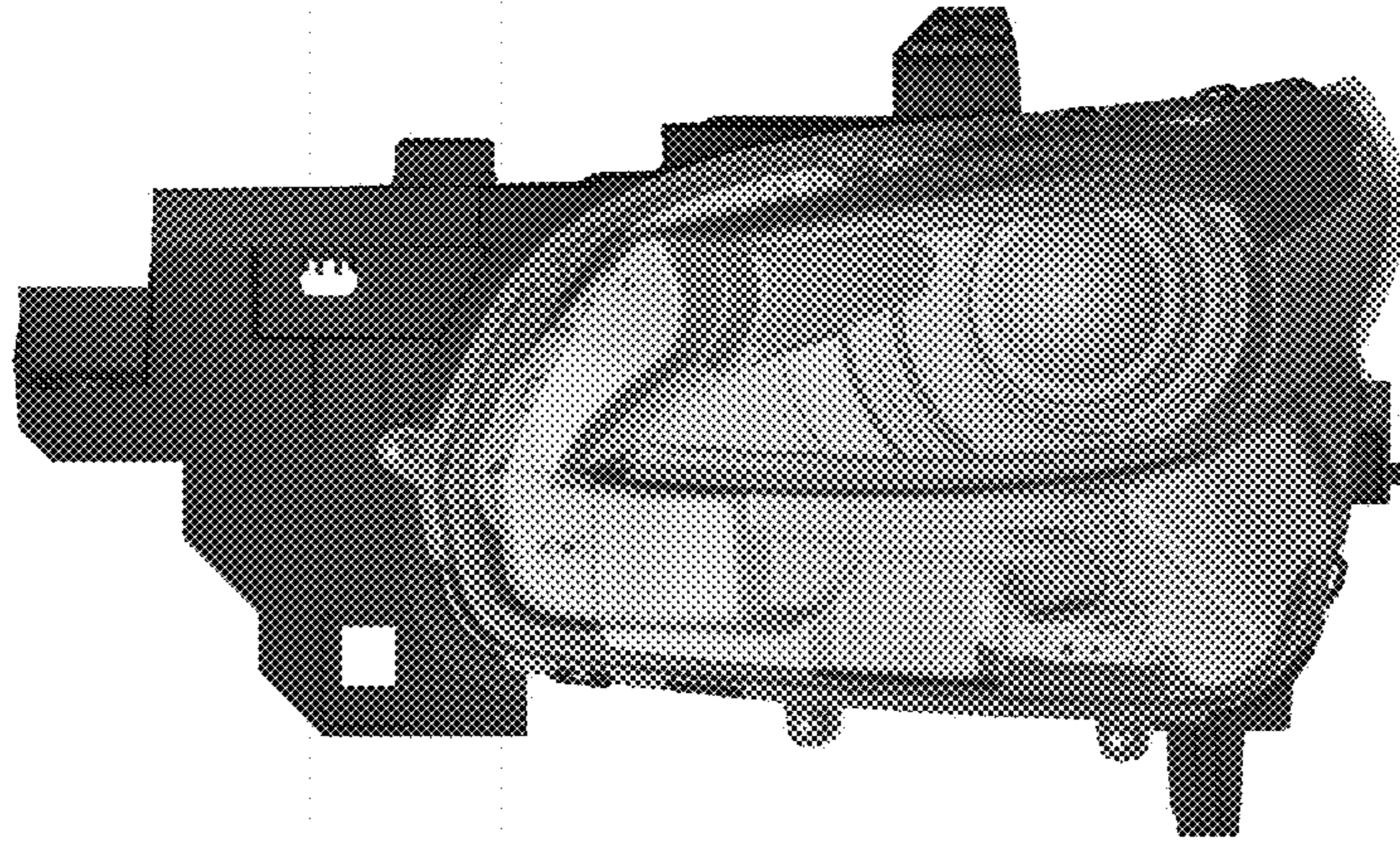


FIG.3

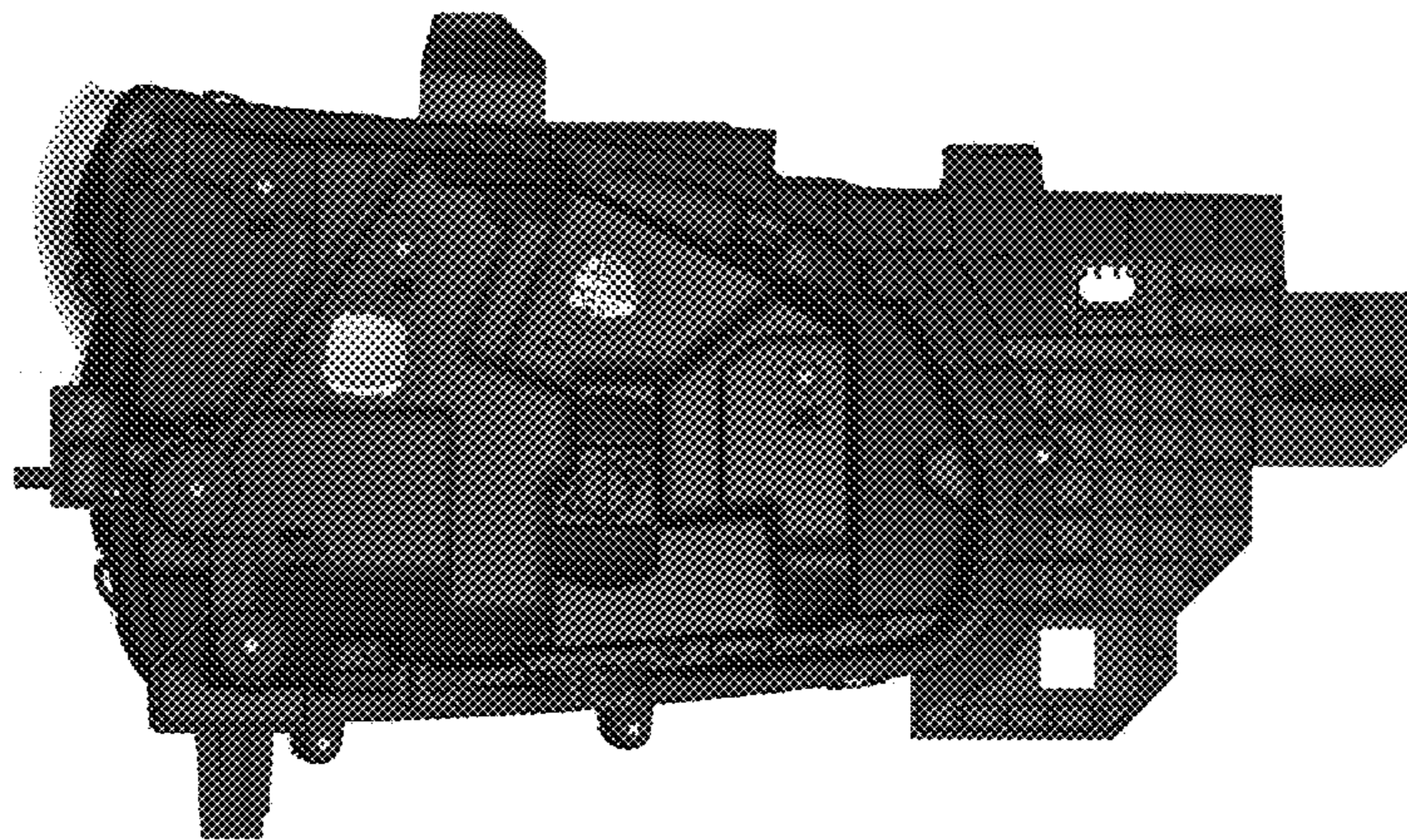


FIG.4

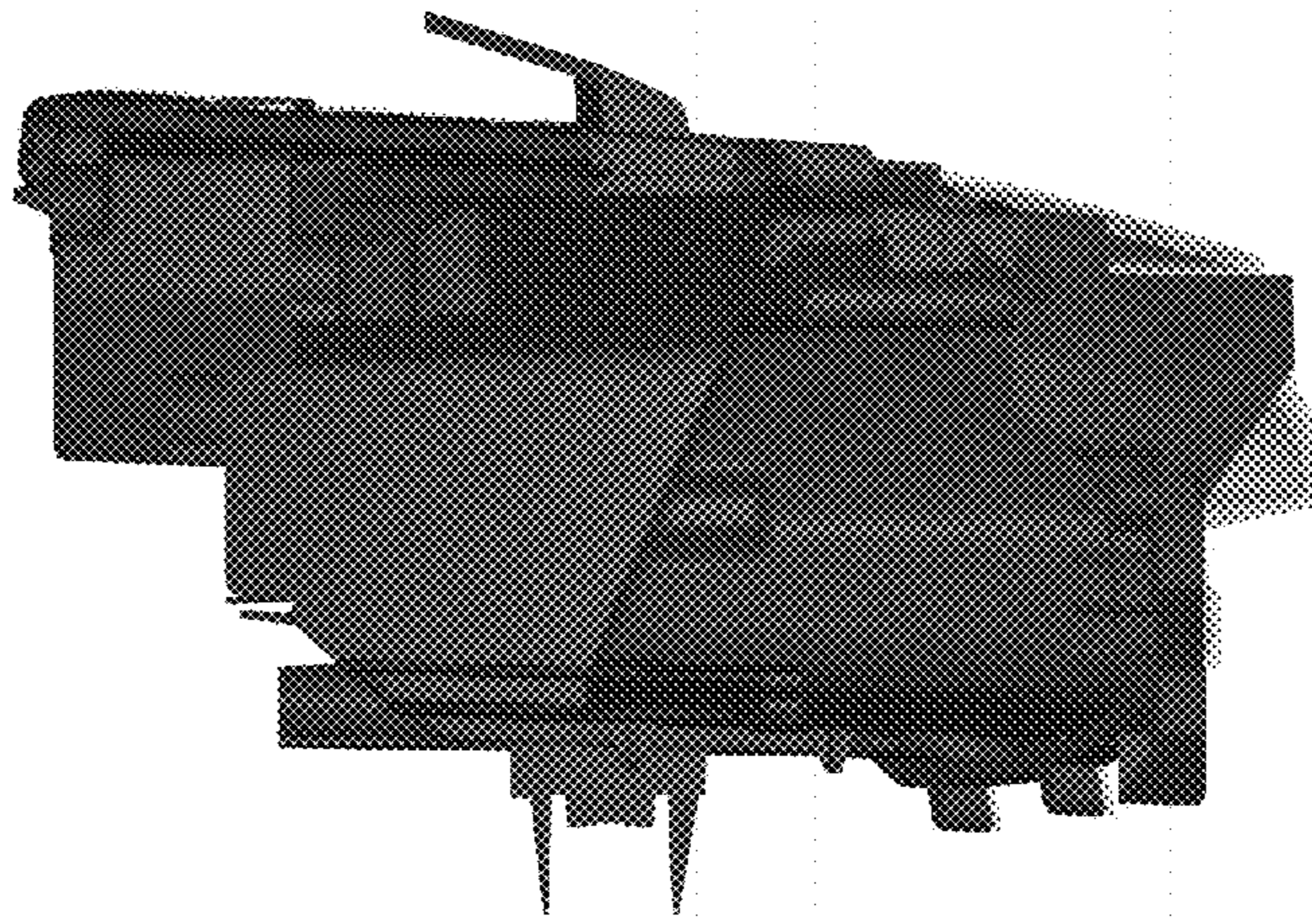


FIG. 5

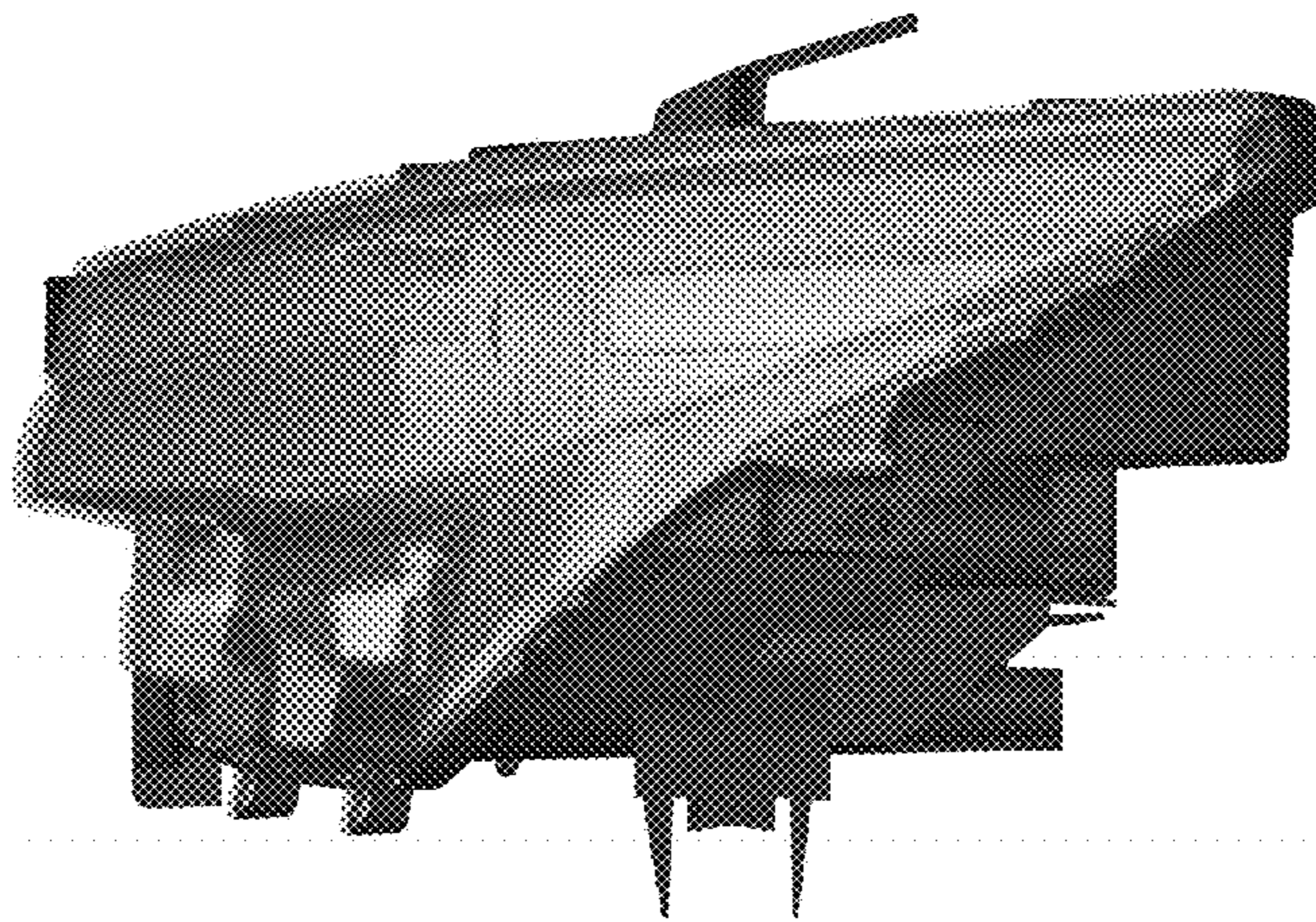


FIG. 6

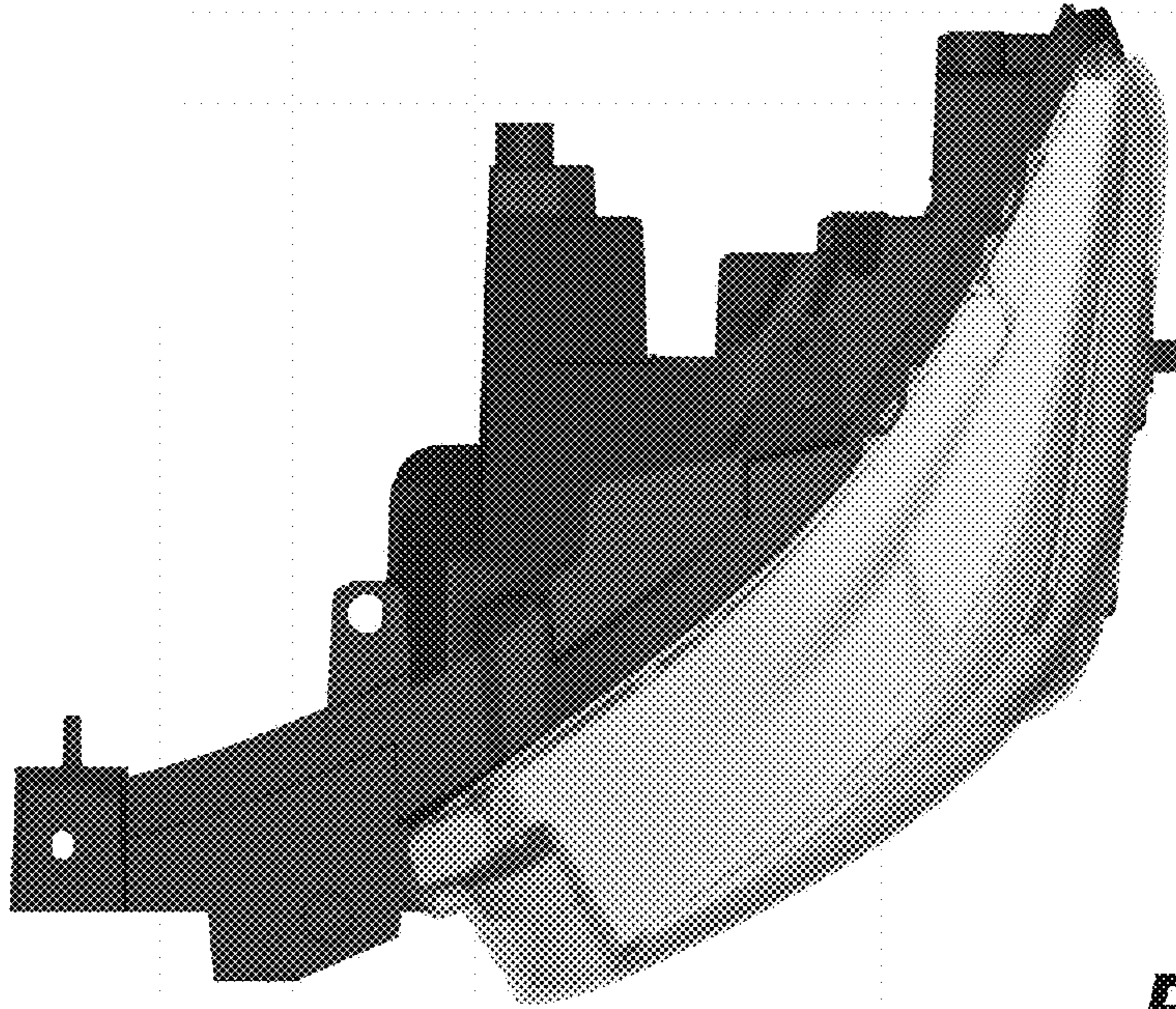


FIG. 7

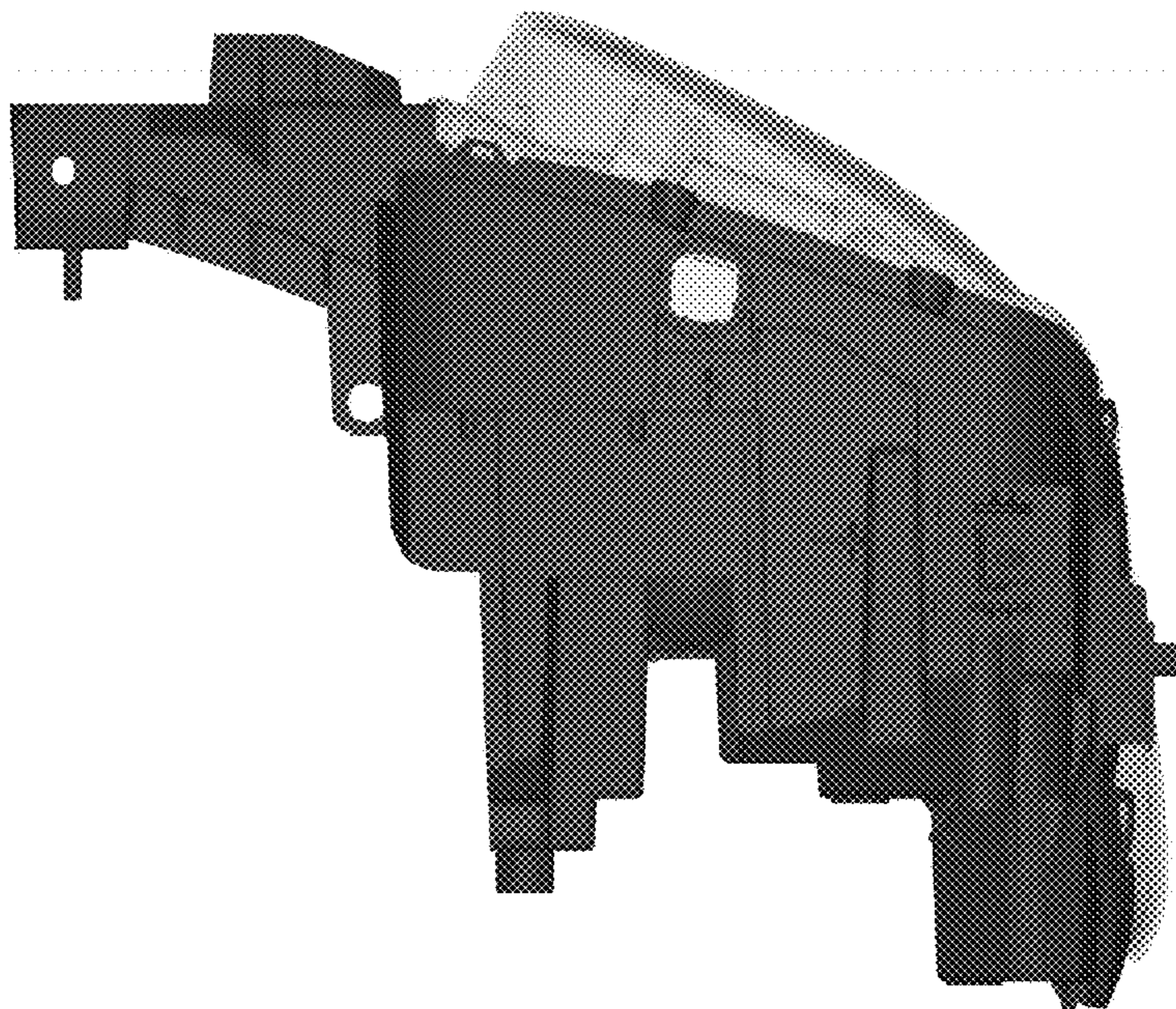


FIG. 8