



US00D761984S

(12) **United States Design Patent**
Kobayashi

(10) **Patent No.:** **US D761,984 S**
(45) **Date of Patent:** **** Jul. 19, 2016**

(54) **HEADLAMP FOR A MOTORCYCLE**

(56) **References Cited**

(71) Applicant: **Kawasaki Jukogyo Kabushiki Kaisha,**
Hyogo (JP)

U.S. PATENT DOCUMENTS

(72) Inventor: **Mitsuru Kobayashi,** Kobe (JP)

D666,753	S	*	9/2012	Huet	D26/28
D692,167	S	*	10/2013	Yamazaki	D26/28
D713,573	S	*	9/2014	Futamata	D26/28
D714,478	S	*	9/2014	Lai	D26/28

(73) Assignee: **Kawasaki Jukogyo Kabushiki Kaisha,**
Hyogo (JP)

FOREIGN PATENT DOCUMENTS

(**) Term: **14 Years**

CN	301976214	7/2012
JP	D1108785	5/2001
JP	D1190618	11/2003
JP	D1476839	8/2013

(21) Appl. No.: **29/521,237**

* cited by examiner

(22) Filed: **Mar. 20, 2015**

Primary Examiner — Marcus Jackson

(30) **Foreign Application Priority Data**

(57) **CLAIM**

Sep. 25, 2014 (JP) 2014-021174

The ornamental design for a headlamp for a motorcycle, as shown and described.

(51) **LOC (10) Cl.** **26-06**

DESCRIPTION

(52) **U.S. Cl.**
USPC **D26/28**

(58) **Field of Classification Search**
USPC D26/28-36; 362/61, 80-83, 267-269,
362/459-468, 475-478, 485-487
CPC B62J 6/02; B62J 6/04; B60Q 1/0047;
B60Q 1/18; B60Q 1/2696; B60Q 1/46;
F21S 48/00; F21S 48/10; F21S 48/1258;
F21S 48/1233; F21S 48/1266; F21S 48/1388;
F21S 48/2268; F21V 21/04

FIG. 1 is a front elevational view of a headlamp for a motorcycle showing my new design;
FIG. 2 is a rear elevational view thereof;
FIG. 3 is a left side elevational view thereof;
FIG. 4 is a right side elevational view thereof;
FIG. 5 is a top plan view thereof;
FIG. 6 is a bottom plan view thereof;
FIG. 7 is a front left perspective view thereof; and,
FIG. 8 is a rear right perspective view thereof.
The dark and light greyed surfaces do not represent a color nor a pattern but are intended to represent shading on the surface of the drawings.

See application file for complete search history.

1 Claim, 8 Drawing Sheets

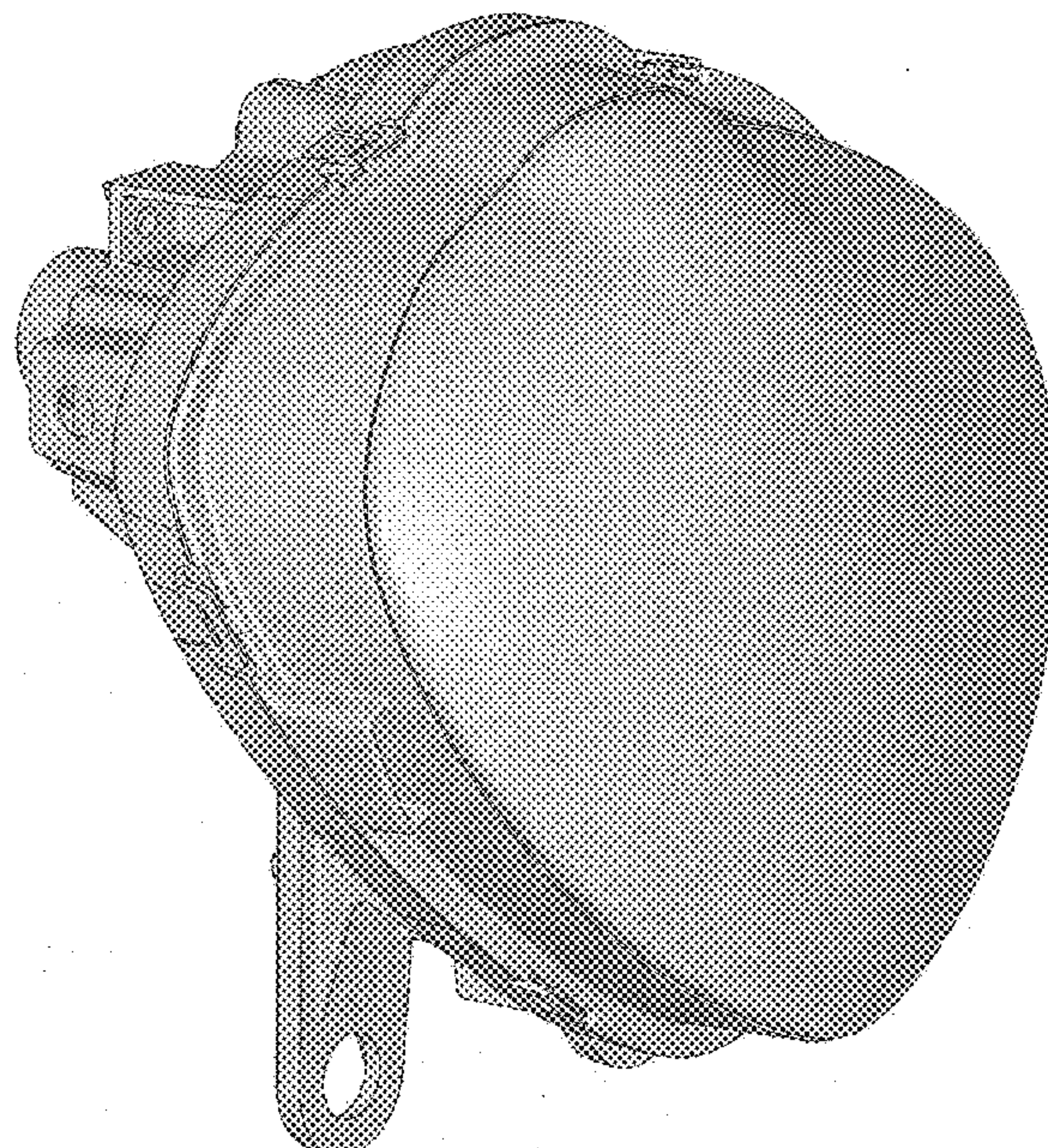


Fig. 1

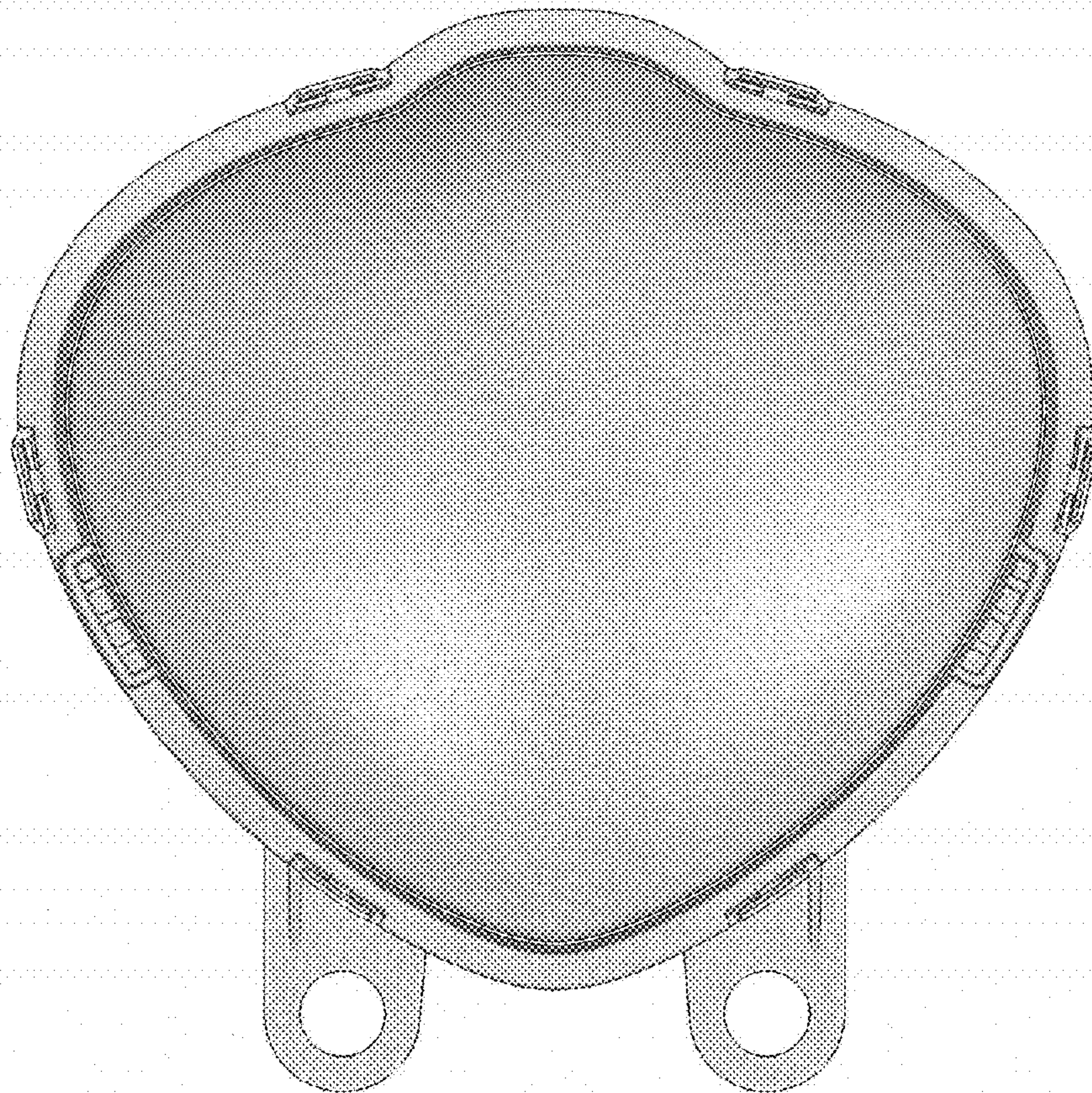


Fig. 2

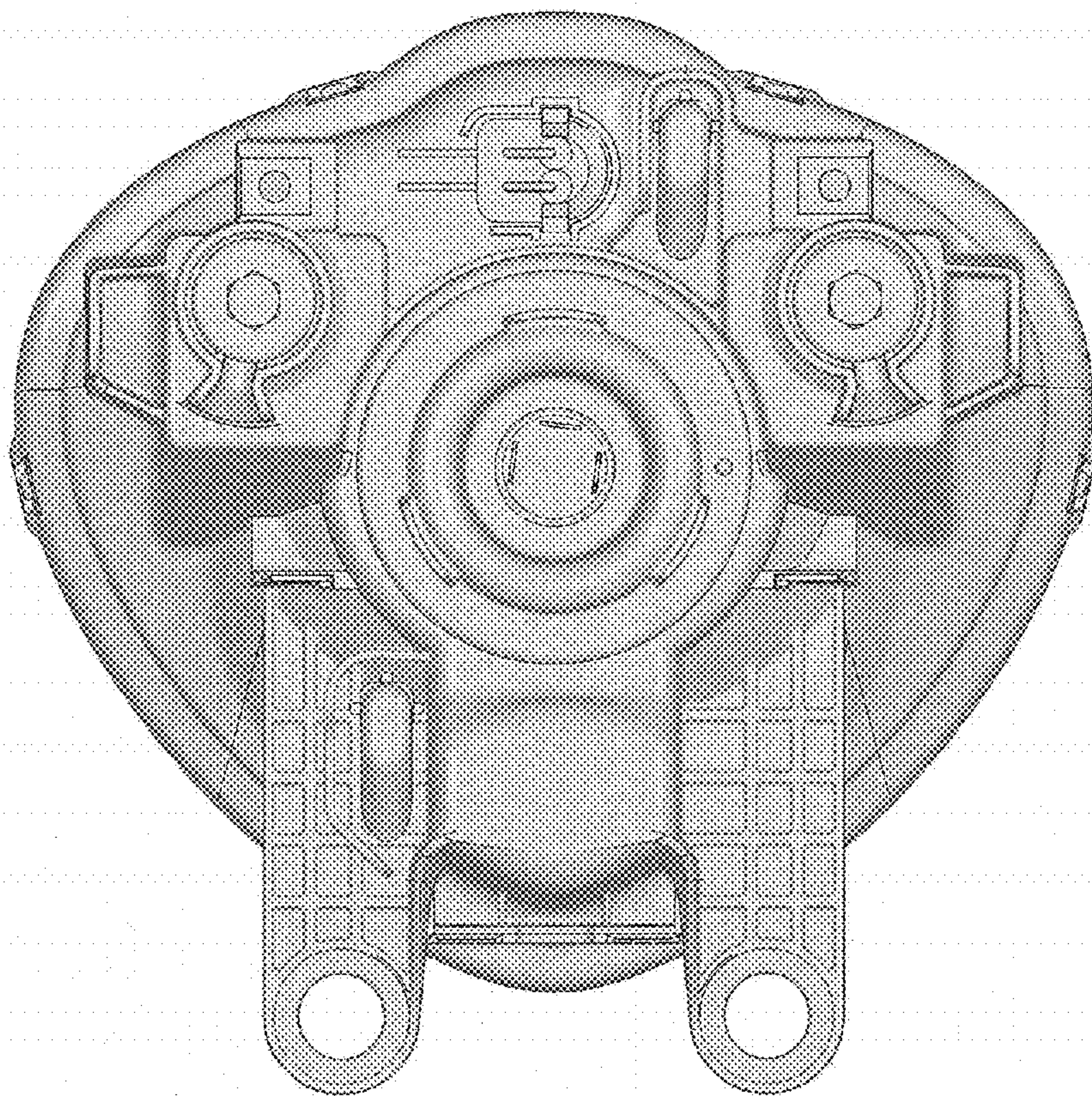


Fig. 3

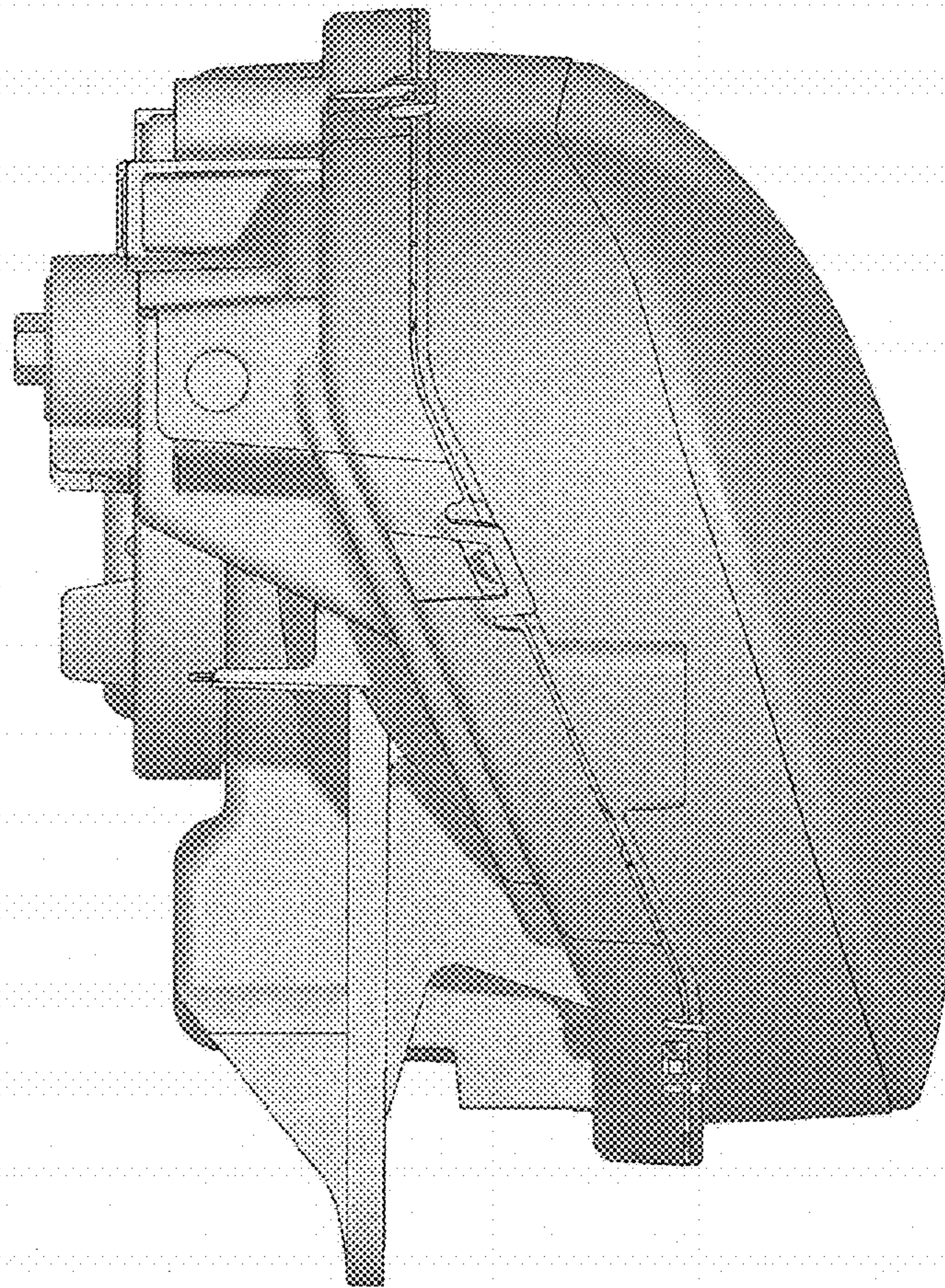


Fig. 4

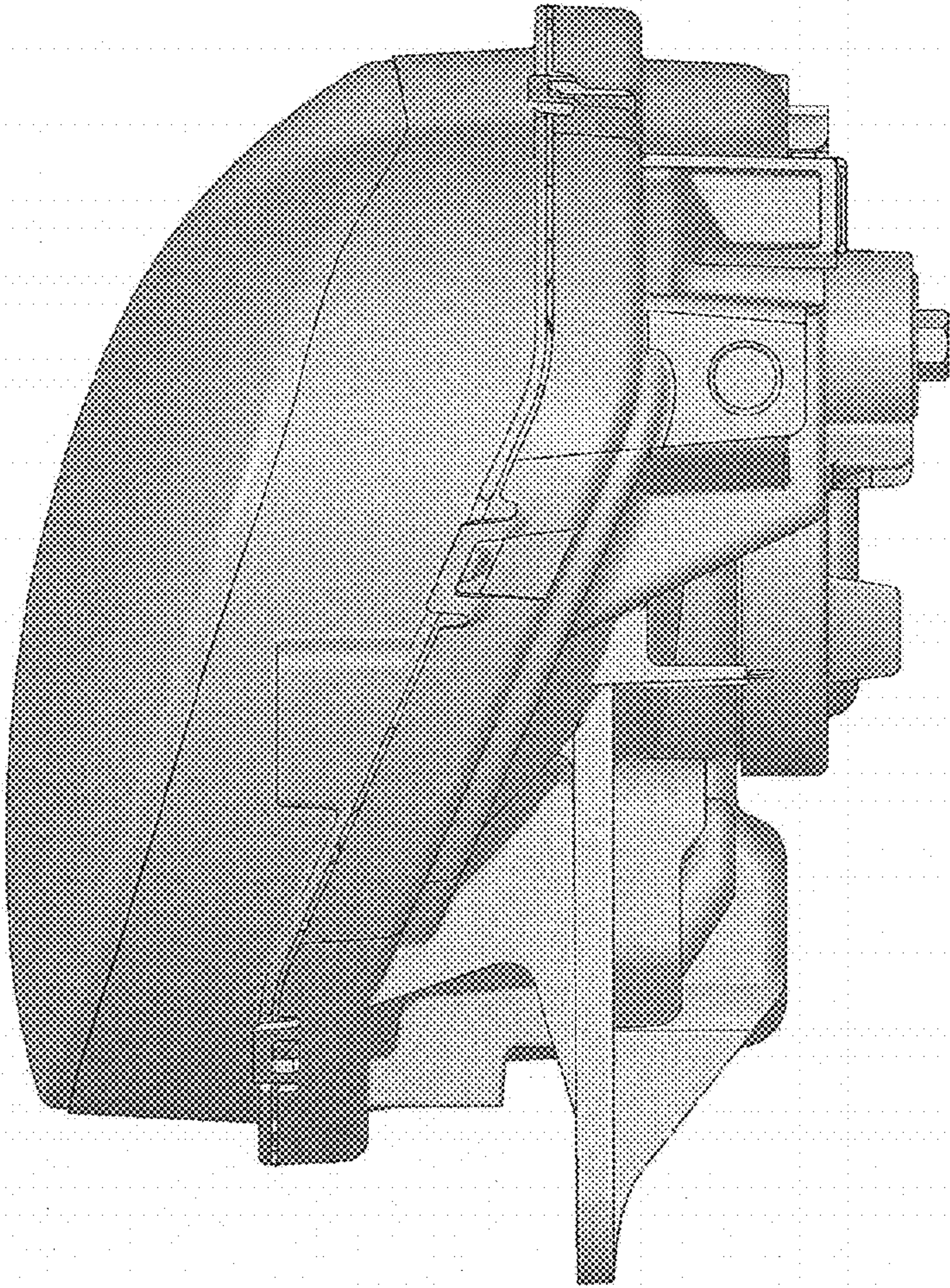


Fig. 5

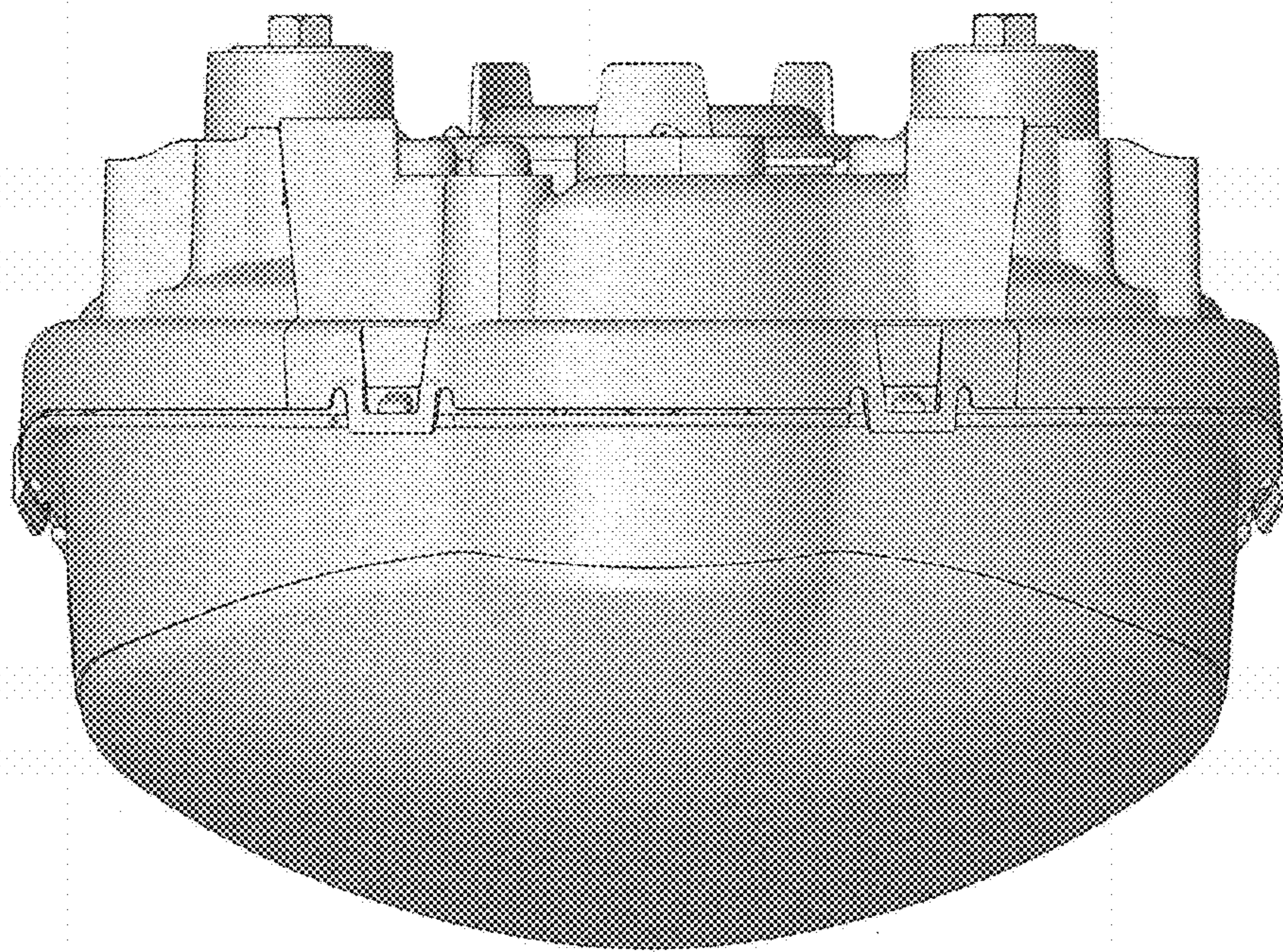


Fig. 6

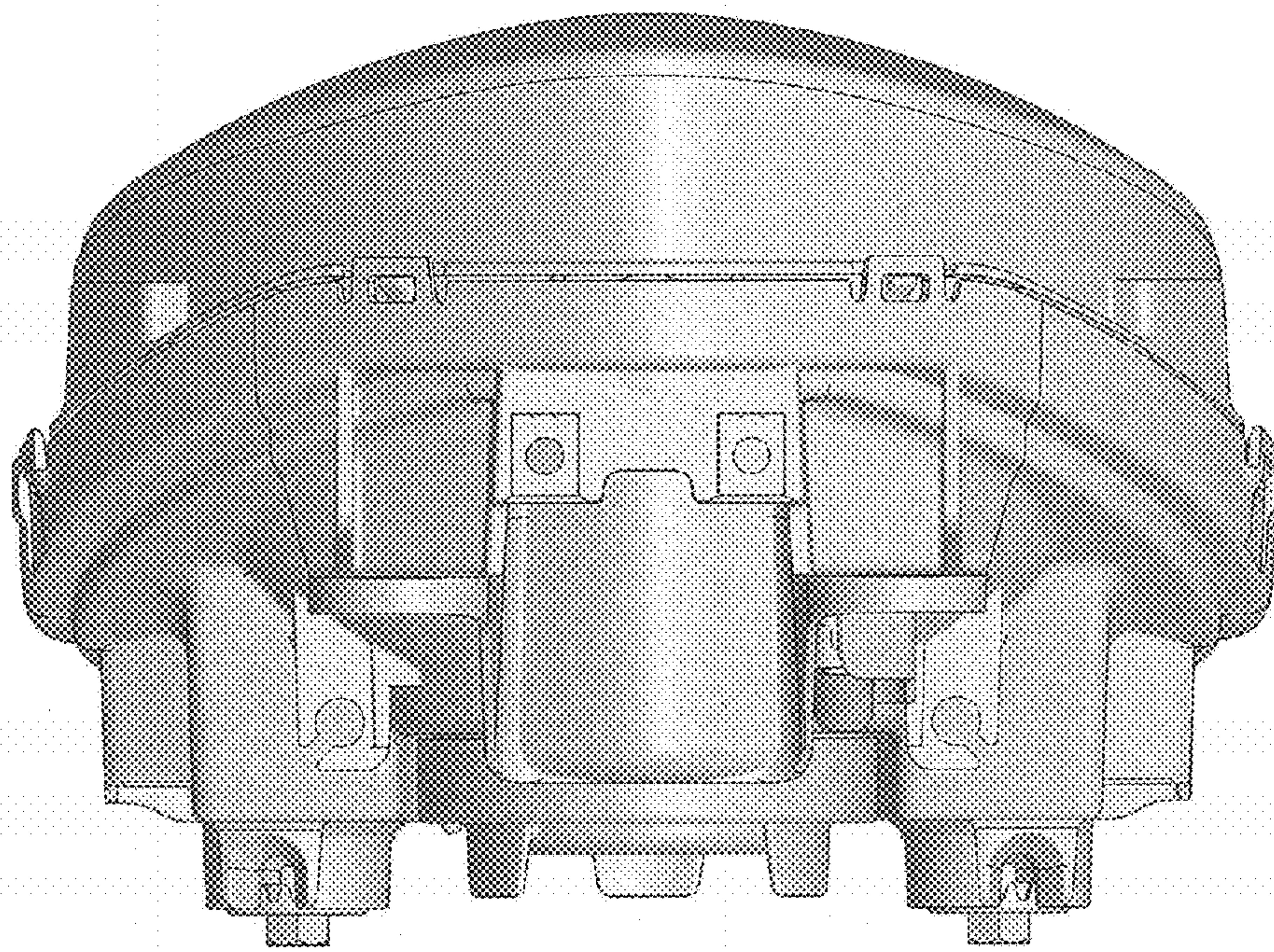


Fig. 7

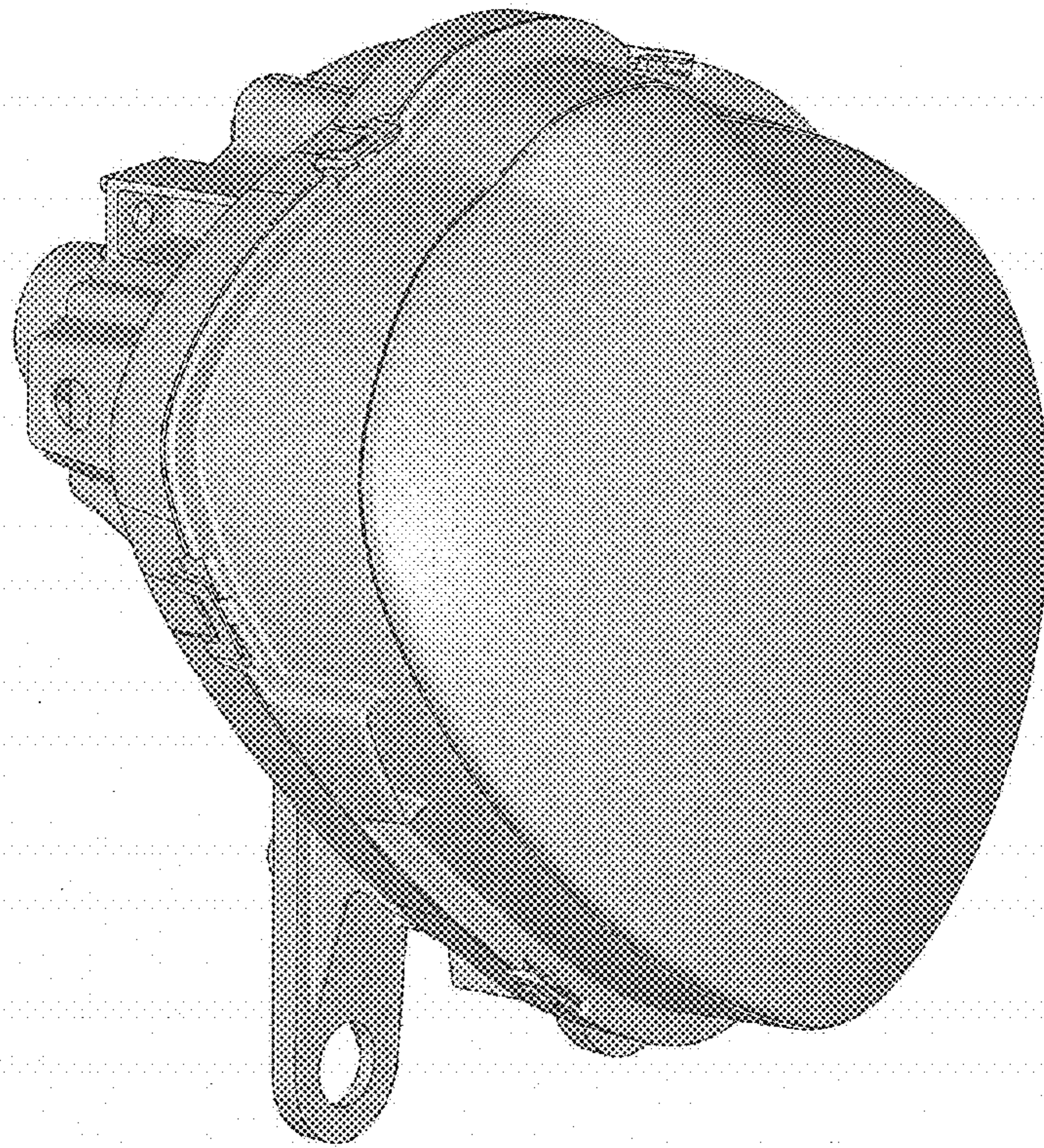


Fig. 8

