



US00D761979S

(12) **United States Design Patent**
Wu

(10) **Patent No.:** **US D761,979 S**
(45) **Date of Patent:** **** Jul. 19, 2016**

(54) **VEHICLE TAIL LIGHT**

(71) Applicant: **COPLUS INC.**, Tainan (TW)

(72) Inventor: **Po-Hua Wu**, Tainan (TW)

(73) Assignee: **Coplus Inc.**, Tainan (TW)

(**) Term: **14 Years**

(21) Appl. No.: **29/517,145**

(22) Filed: **Feb. 10, 2015**

(30) **Foreign Application Priority Data**

Dec. 5, 2014 (TW) 103307161

(51) **LOC (10) Cl.** **26-06**

(52) **U.S. Cl.**
USPC **D26/28**

(58) **Field of Classification Search**
USPC D26/28-36; 362/459-468, 475-478,
362/485-487
CPC F21S 48/00; F21S 48/10; F21S 48/115;
F21S 48/225; F21S 48/1233; F21S 48/1266;
F21S 48/1388; F21S 48/2268; F21V 21/04
See application file for complete search history.

(56) **References Cited**

U.S. PATENT DOCUMENTS

D549,363 S *	8/2007	Pfeiffer	D26/28
D592,327 S *	5/2009	Futschik	D26/28
D605,793 S *	12/2009	Weil	D26/28
D620,157 S *	7/2010	Frenzel	D26/28
D679,431 S *	4/2013	Frenzel	D26/28
D679,432 S *	4/2013	Frenzel	D26/28

* cited by examiner

Primary Examiner — Marcus Jackson

(74) *Attorney, Agent, or Firm* — Lewis Roca Rothgerber
Christie LLP

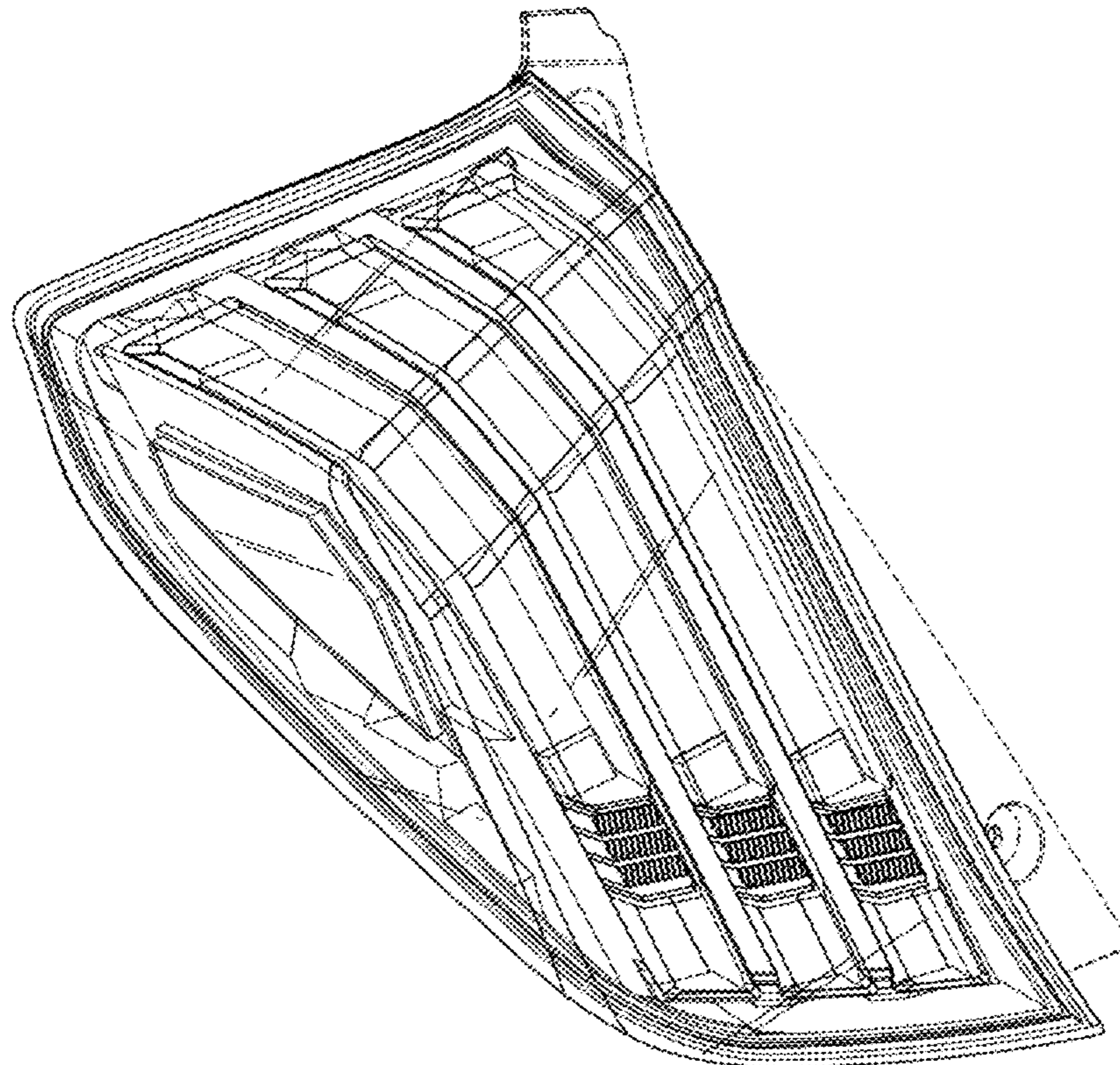
(57) **CLAIM**

The ornamental design for a vehicle tail light, as shown and described.

DESCRIPTION

FIG. 1 is a perspective view of the vehicle tail light;
FIG. 2 is a front elevation view thereof;
FIG. 3 is a rear elevation view thereof;
FIG. 4 is a left side elevation view thereof;
FIG. 5 is a right side elevation view thereof;
FIG. 6 is a top elevation view thereof; and,
FIG. 7 is a bottom elevation view thereof.
The broken lines in the drawings are for illustrative purpose
only and form no part of the claimed design.

1 Claim, 7 Drawing Sheets



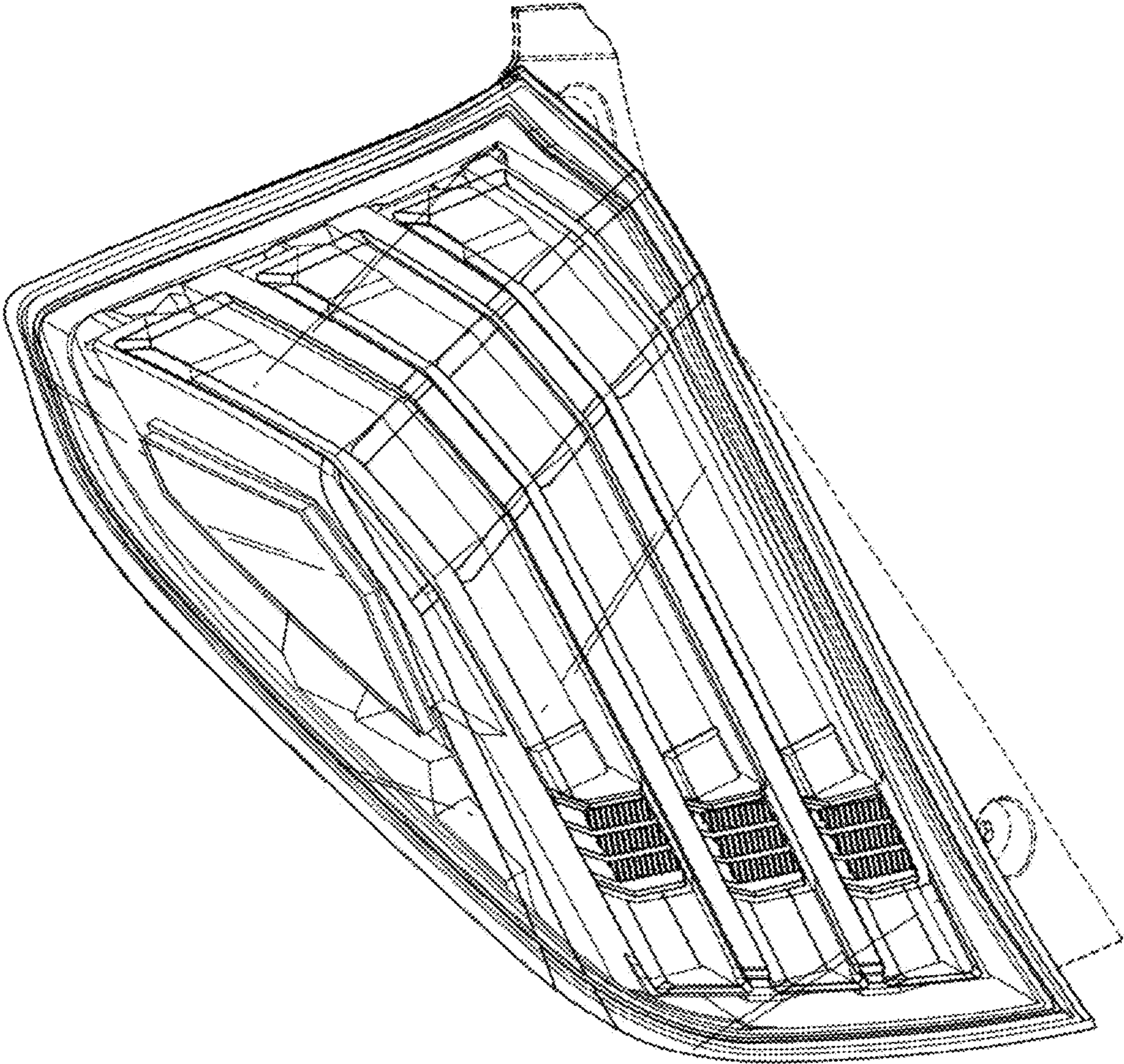


FIG. 1

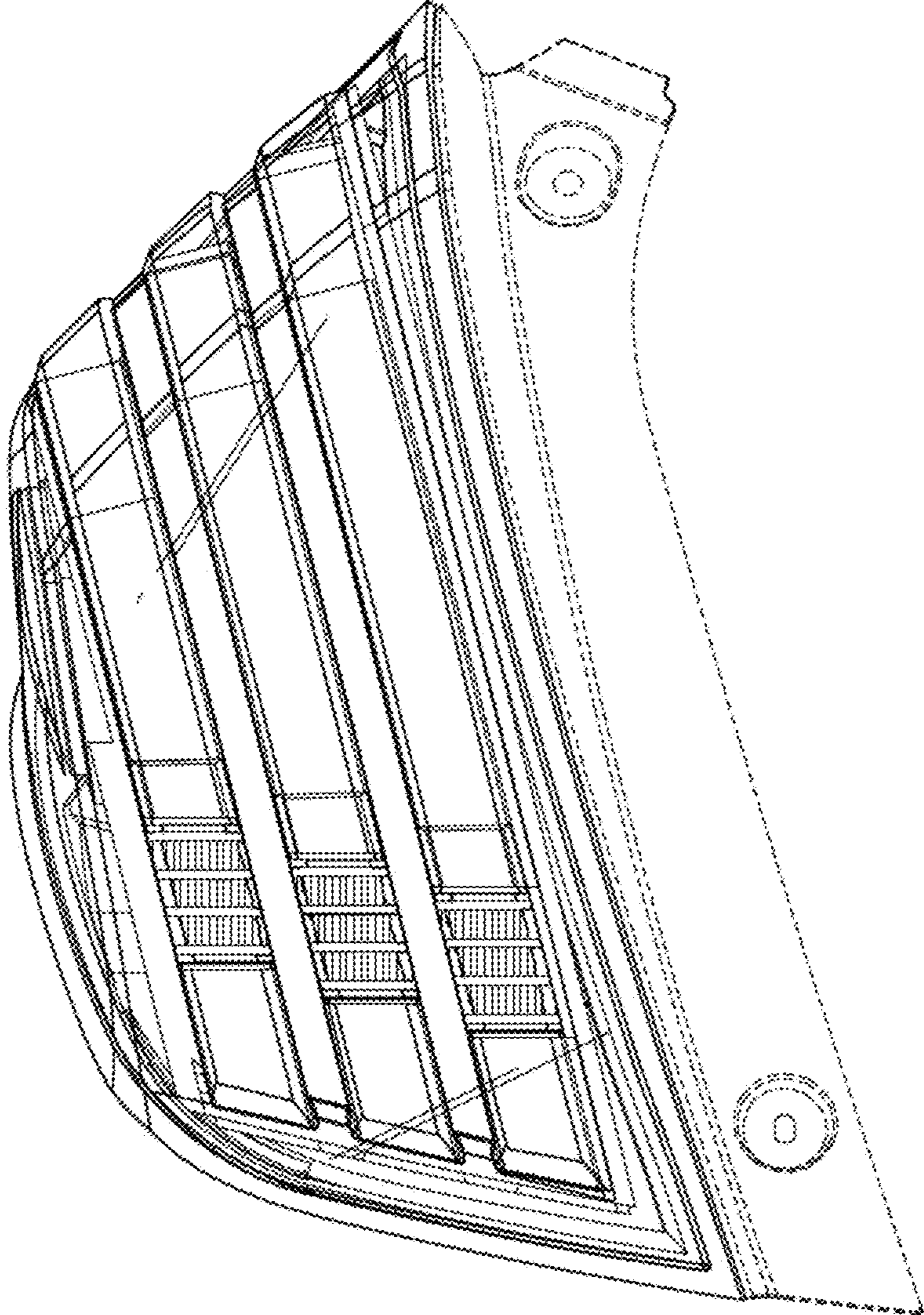


FIG. 2

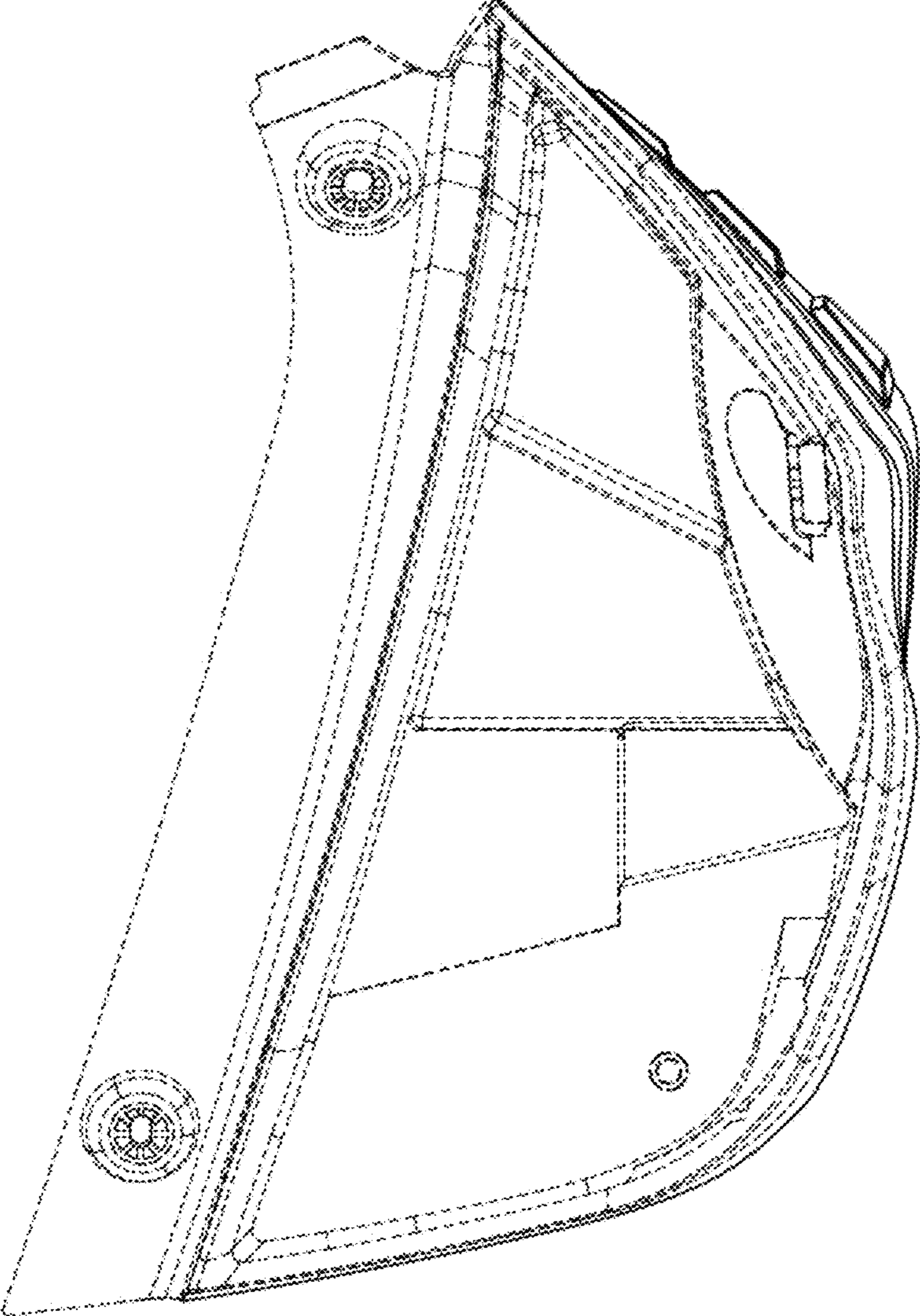


FIG. 3

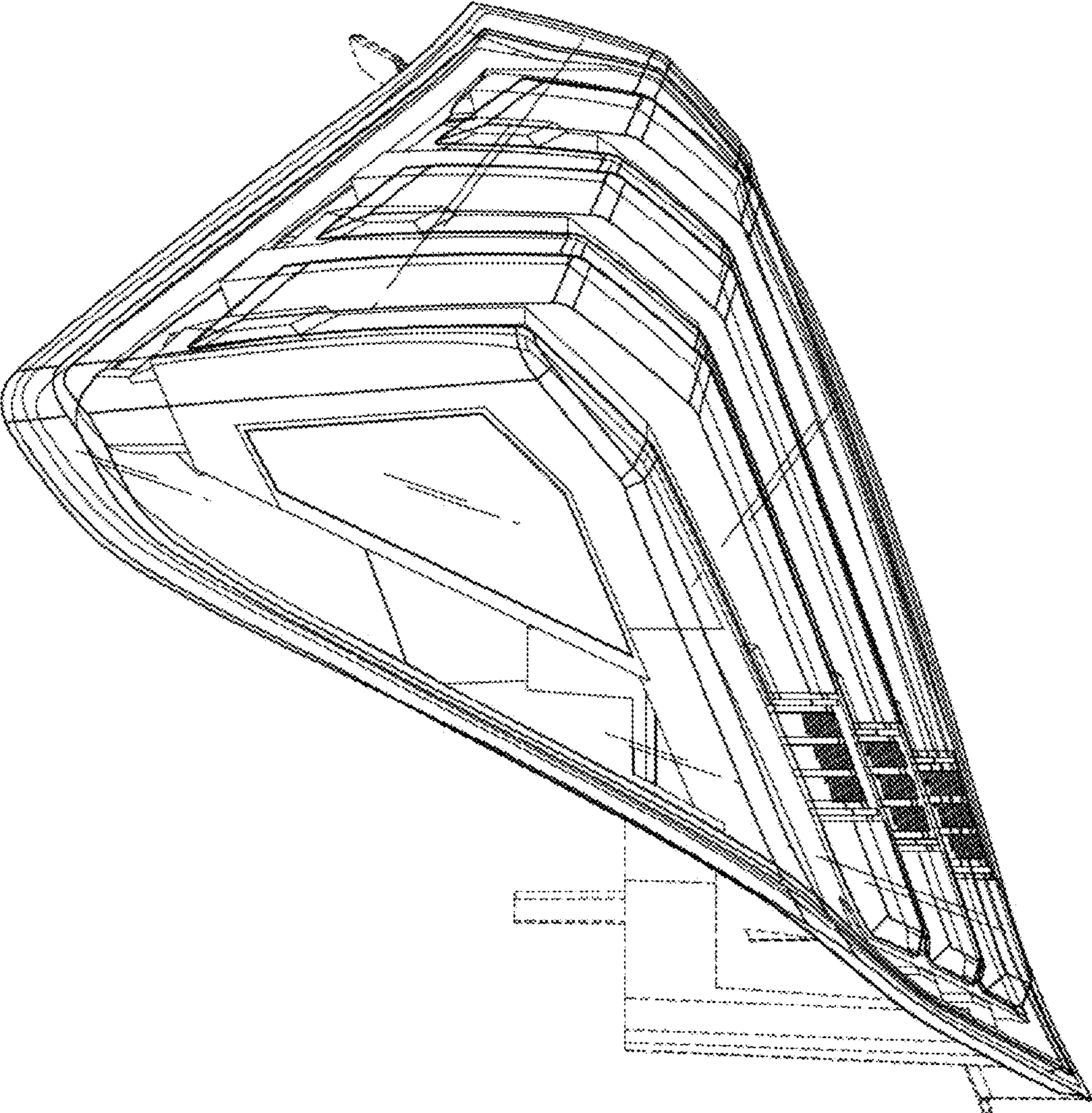


FIG. 4

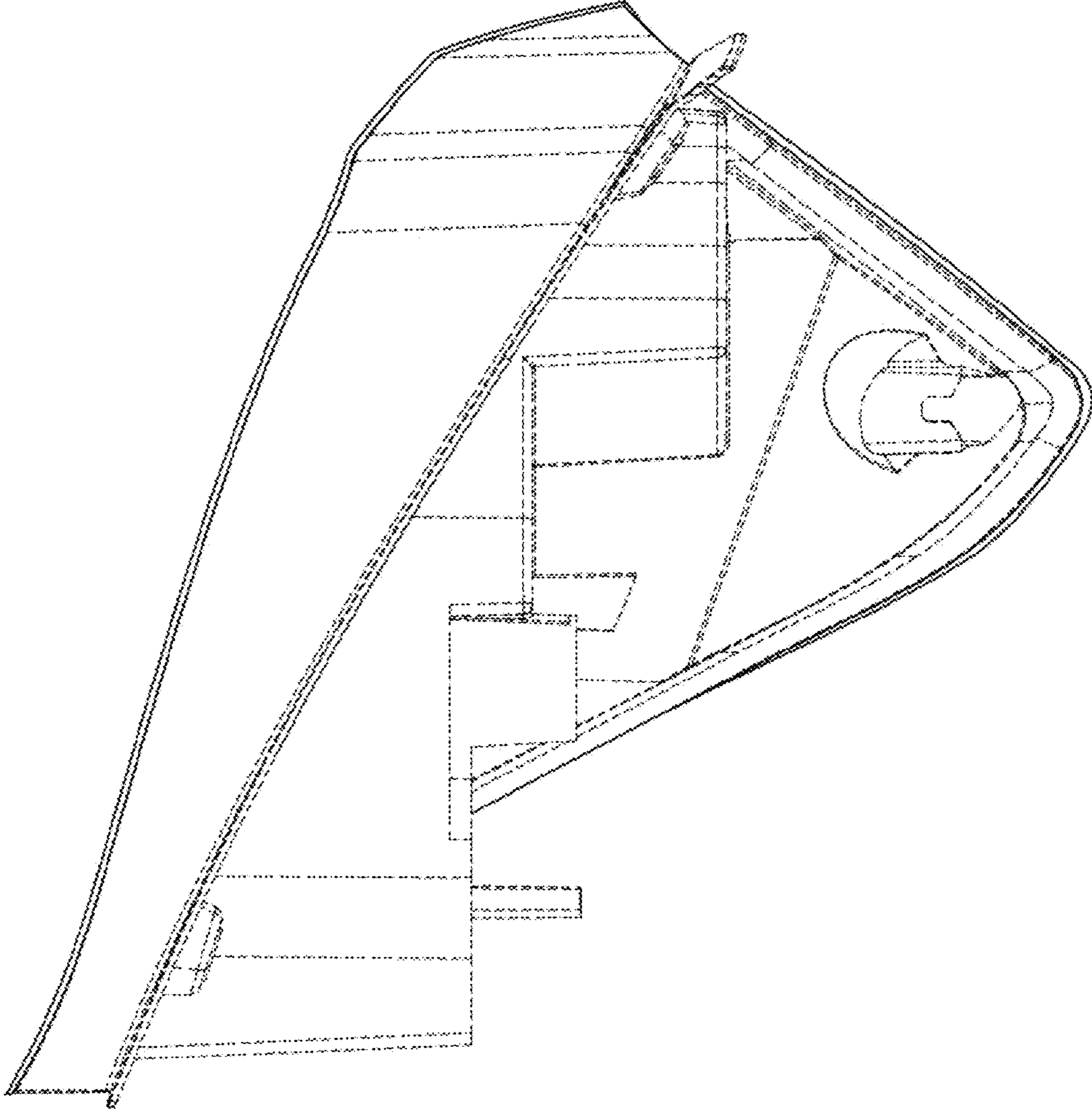


FIG. 5

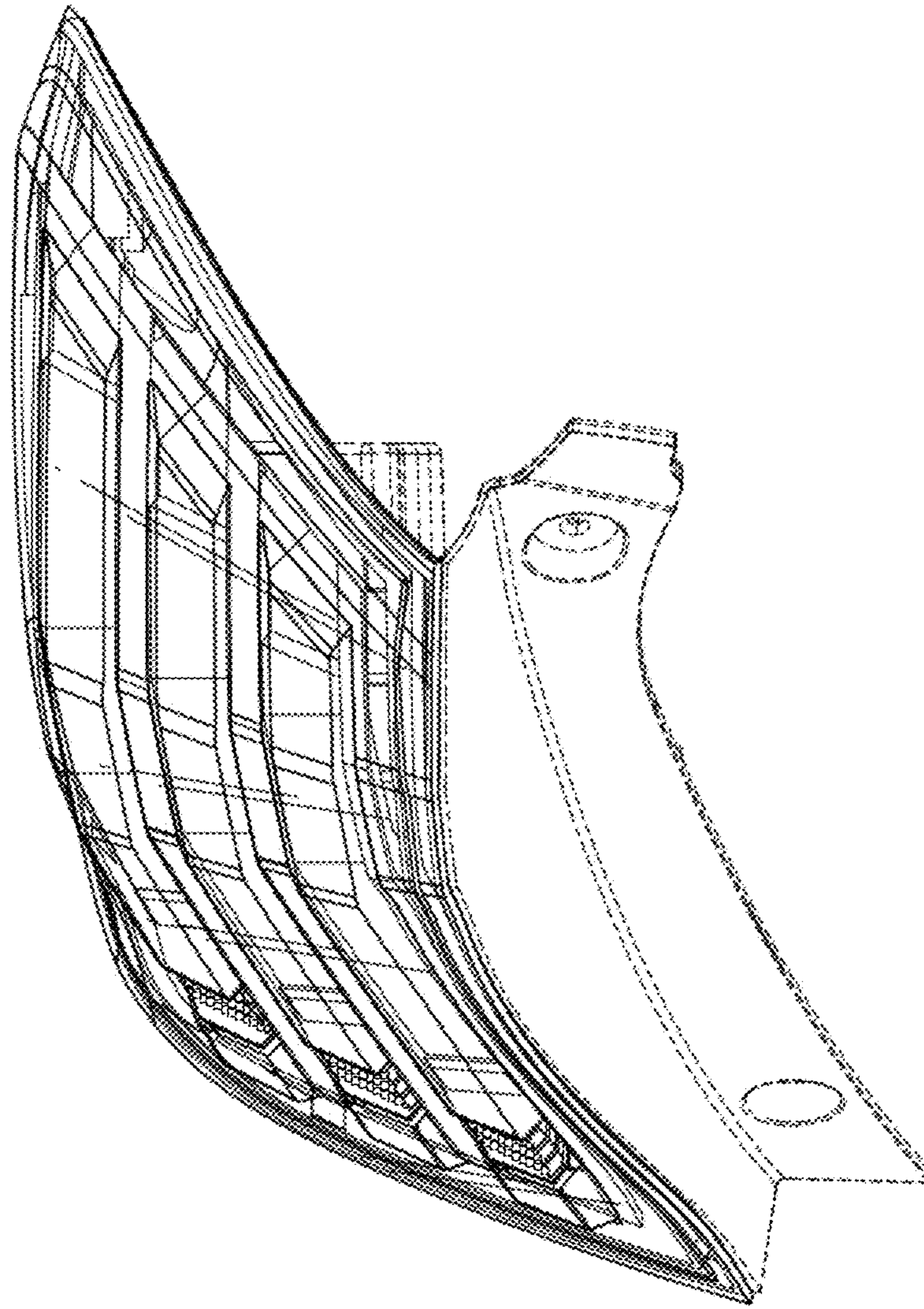


FIG. 6

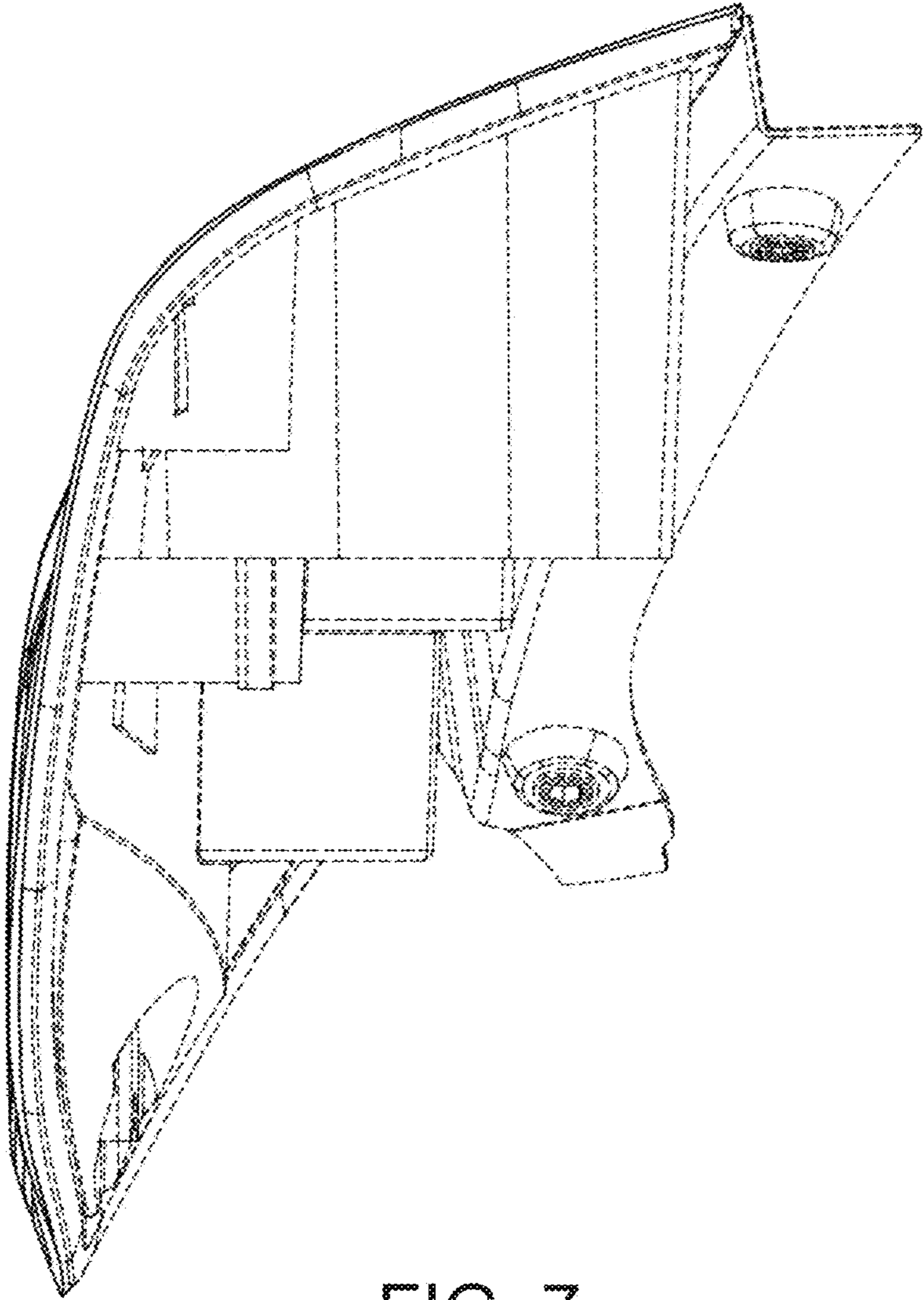


FIG. 7