

US00D761976S

(12) **United States Design Patent**
Chan

(10) **Patent No.:** **US D761,976 S**
(45) **Date of Patent:** **** Jul. 19, 2016**

(54) **PORTION OF A LED BULB**

(56) **References Cited**

(71) Applicants: **KINPO ELECTRONICS, INC.**, New Taipei (TW); **CAL-COMP ELECTRONICS & COMMUNICATIONS COMPANY LIMITED**, New Taipei (TW)

U.S. PATENT DOCUMENTS

D531,741 S	*	11/2006	Takahashi	D26/2
D549,360 S	*	8/2007	An	D26/2
D662,625 S	*	6/2012	Yamamoto	D26/2
D673,699 S	*	1/2013	Yao	D26/2

(72) Inventor: **Ta-Hsin Chan**, New Taipei (TW)

* cited by examiner

Primary Examiner — Marcus Jackson

(73) Assignees: **KINPO ELECTRONICS, INC.**, New Taipei (TW); **CAL-COMP ELECTRONICS & COMMUNICATIONS COMPANY LIMITED**, New Taipei (TW)

(74) *Attorney, Agent, or Firm* — Chun-Ming Shih; HDLS IPR Services

(57) **CLAIM**

The ornamental design for a portion of a LED bulb, as shown and described.

(**) Term: **15 Years**

DESCRIPTION

(21) Appl. No.: **29/527,888**

FIG. 1 is a perspective view of a portion of a LED bulb showing my new design;

(22) Filed: **May 22, 2015**

FIG. 2 is a front view thereof;

(51) **LOC (10) Cl.** **26-04**

FIG. 3 is a rear view thereof;

(52) **U.S. Cl.**

FIG. 4 is a left side view thereof;

USPC **D26/2**

FIG. 5 is a right side view thereof;

(58) **Field of Classification Search**

FIG. 6 is a top view thereof;

USPC D26/1-4; 313/313, 315, 316, 317, 318, 313/493; 315/52, 53, 56, 57, 58

FIG. 7 is a bottom view thereof; and,

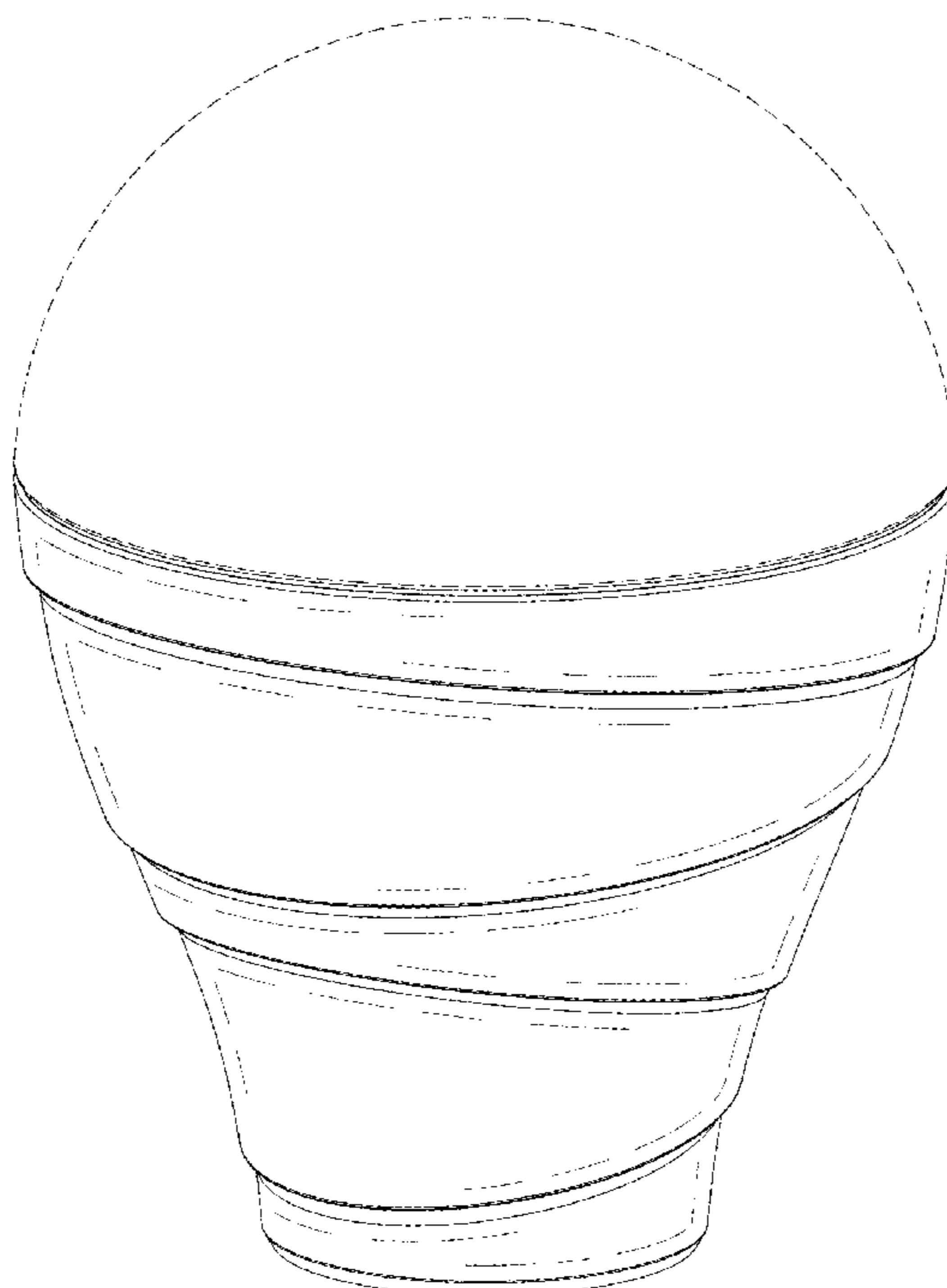
CPC H01J 5/48; H01J 5/50; H01J 19/54; F21V 5/00; F21K 9/135; F21K 9/13; F21K 9/1375

FIG. 8 is second perspective view showing the portion of a LED bulb.

The broken lines shown represent unclaimed subject matter and form no part of the claimed design.

See application file for complete search history.

1 Claim, 8 Drawing Sheets



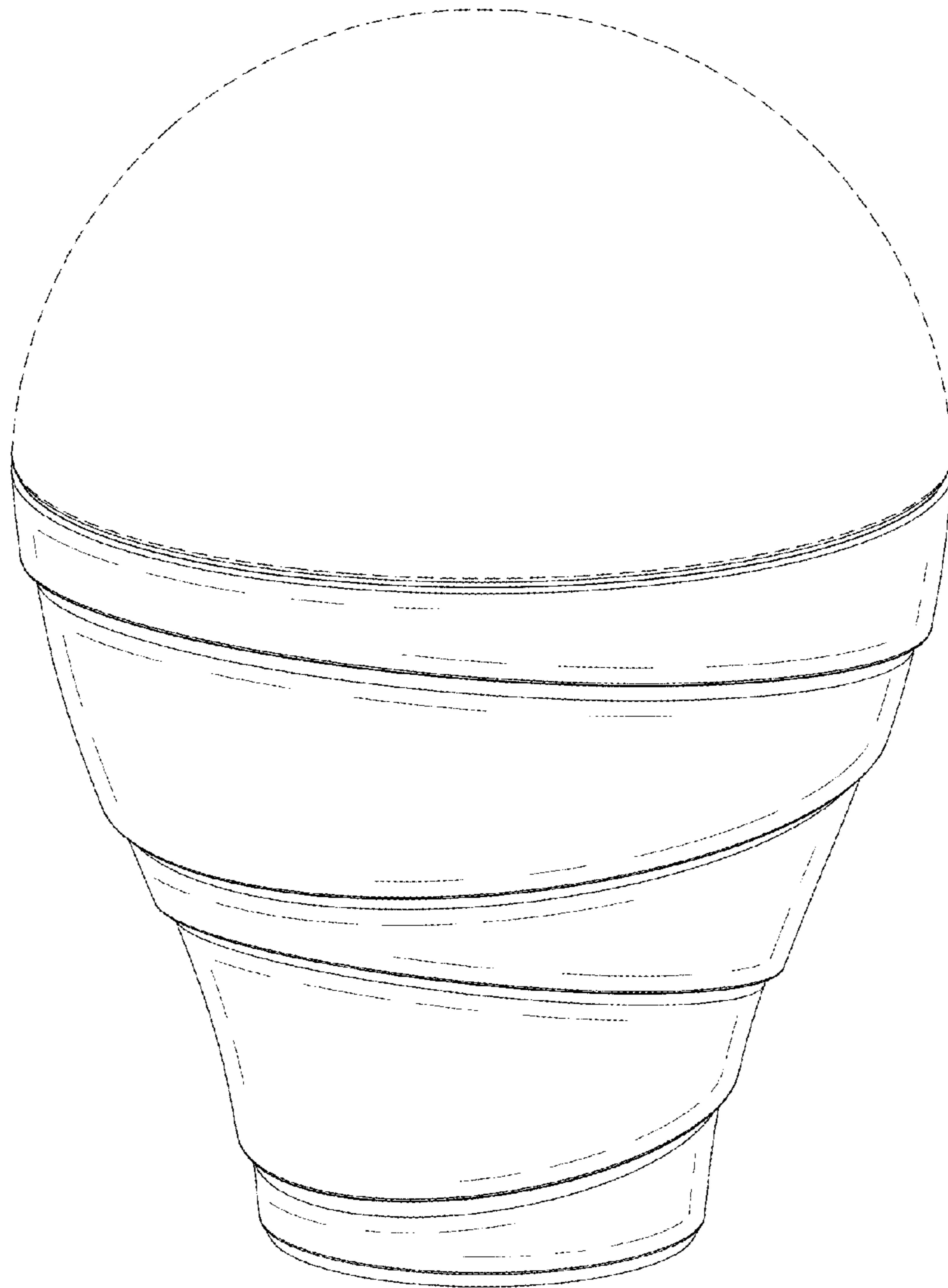


FIG. 1

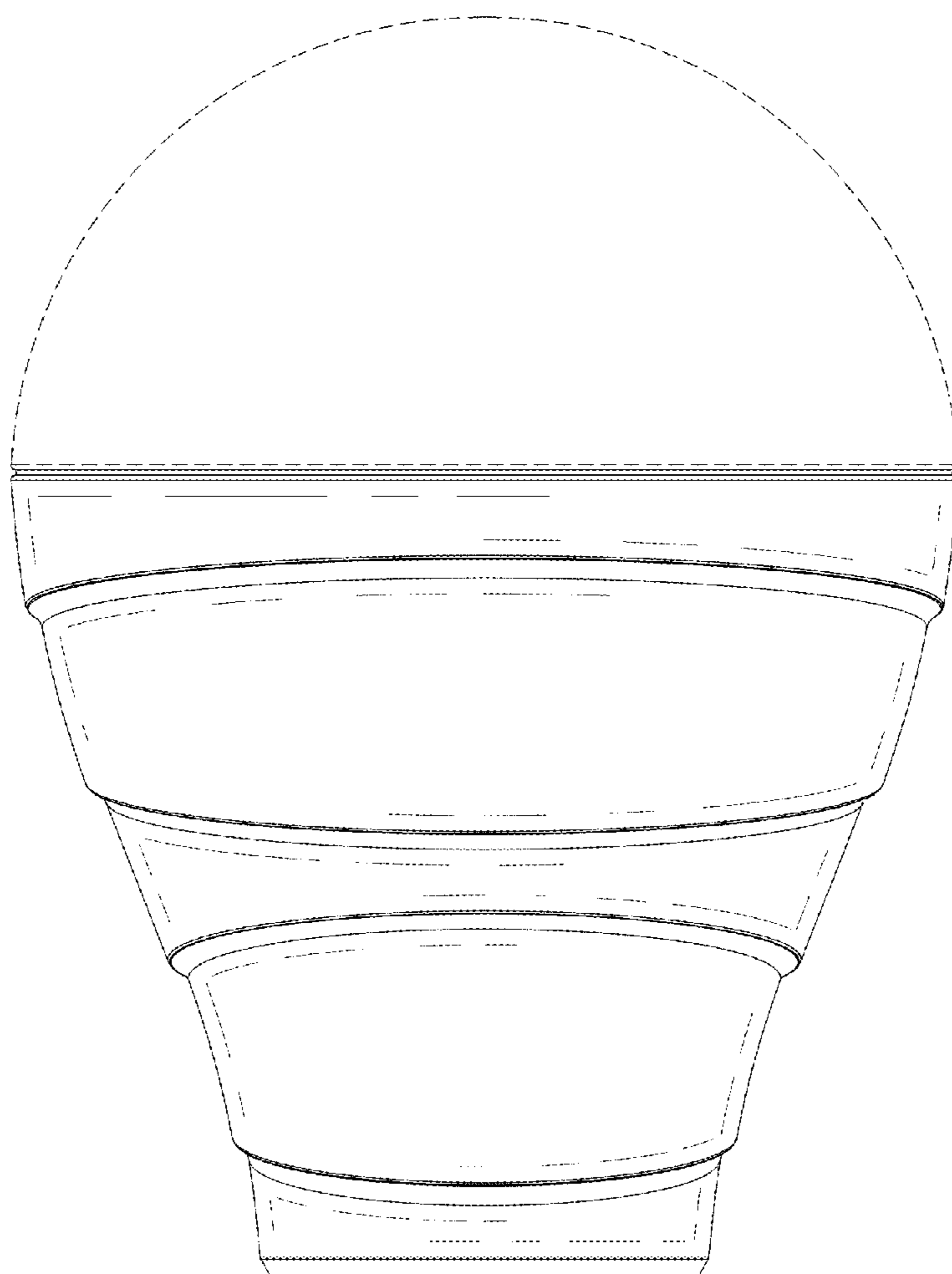


FIG. 2

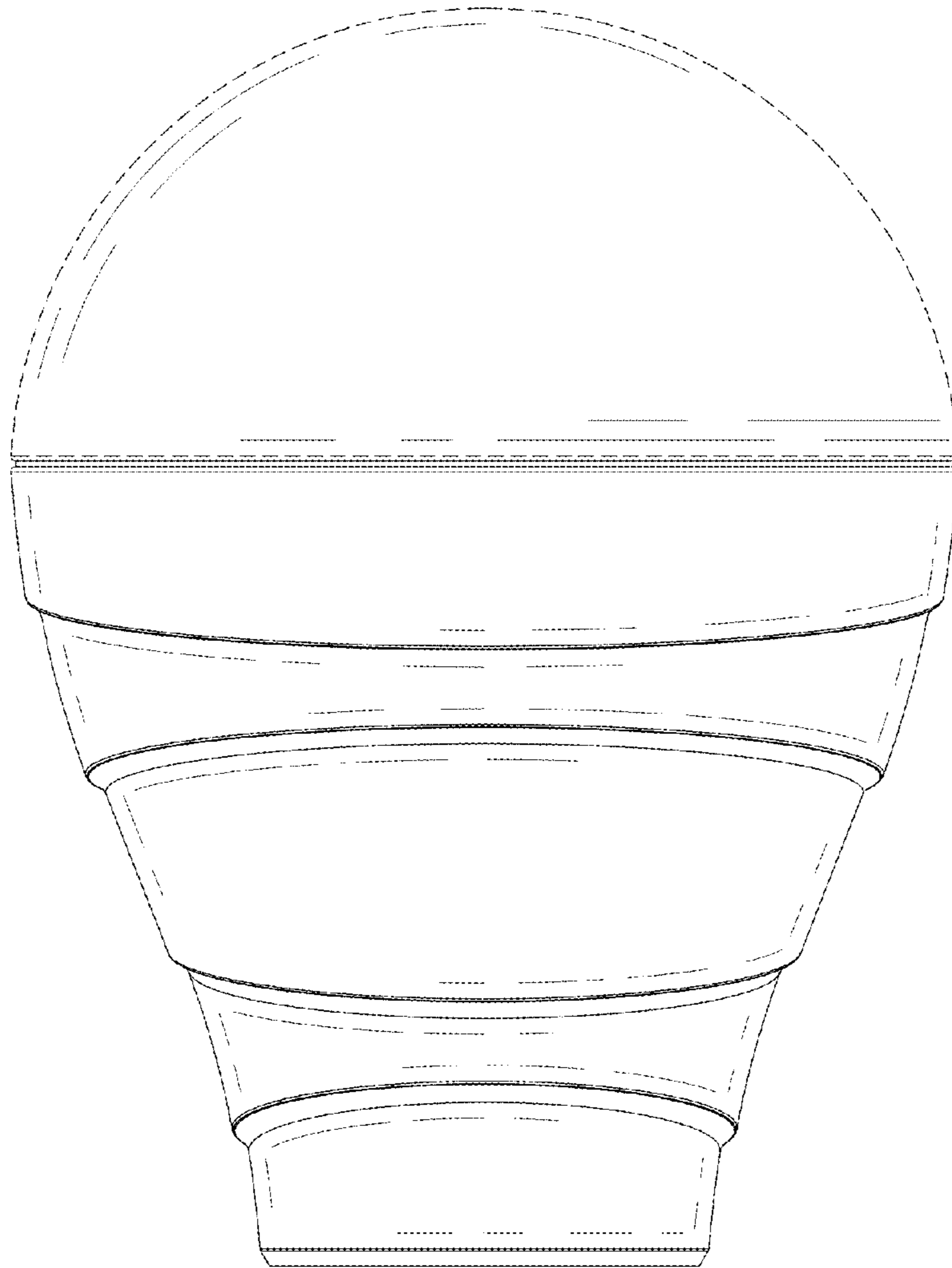


FIG.3

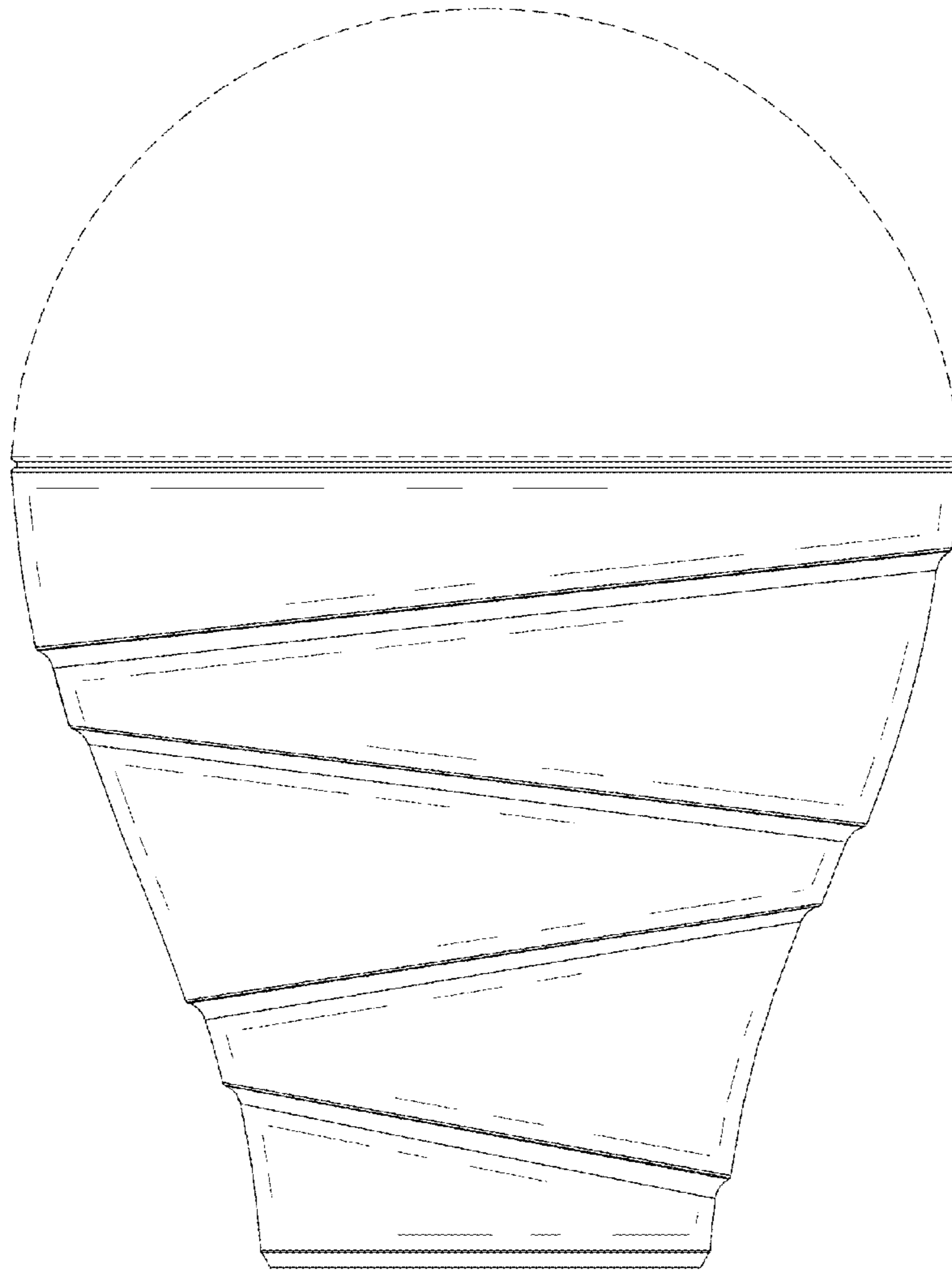


FIG. 4

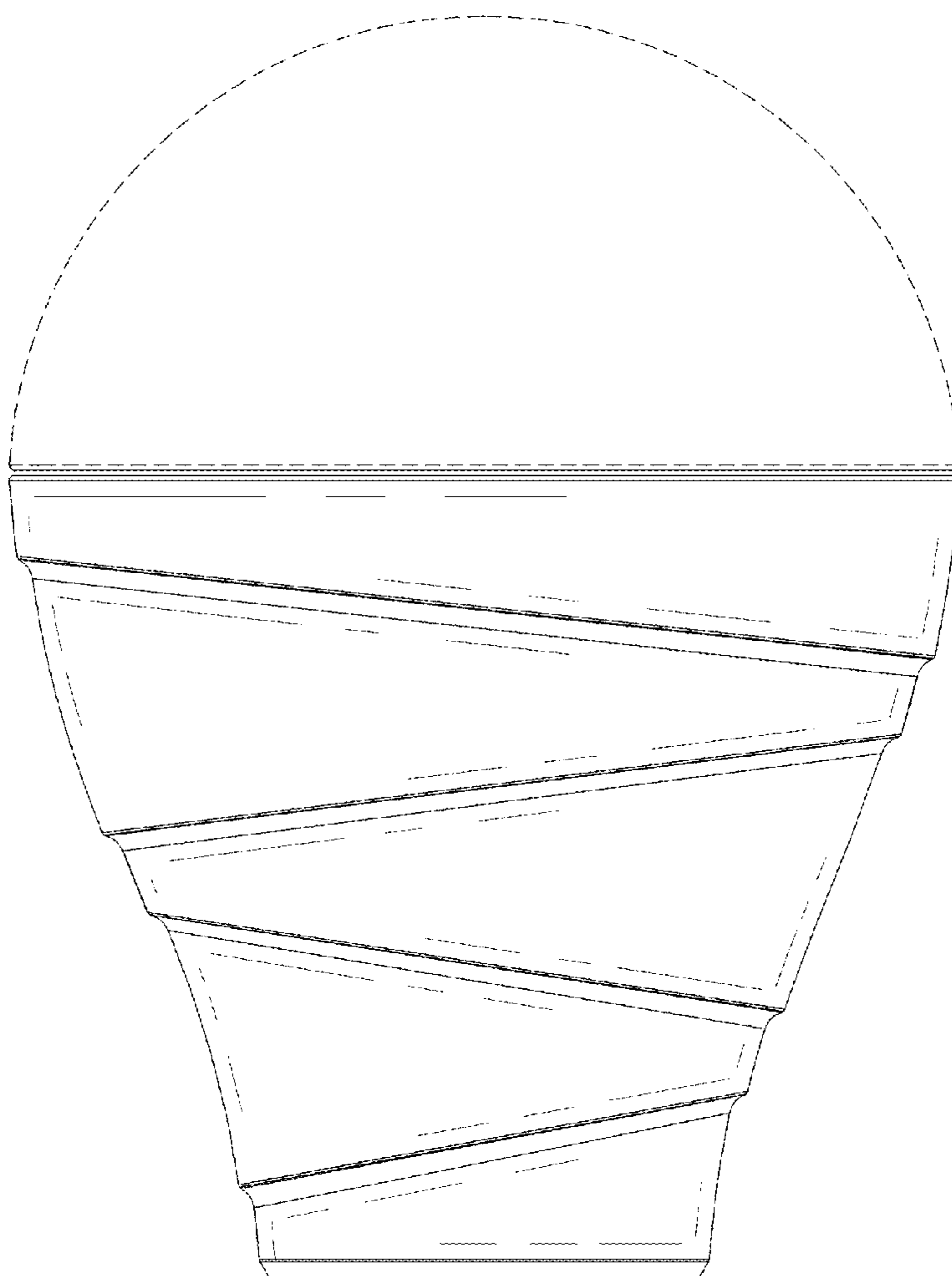


FIG.5

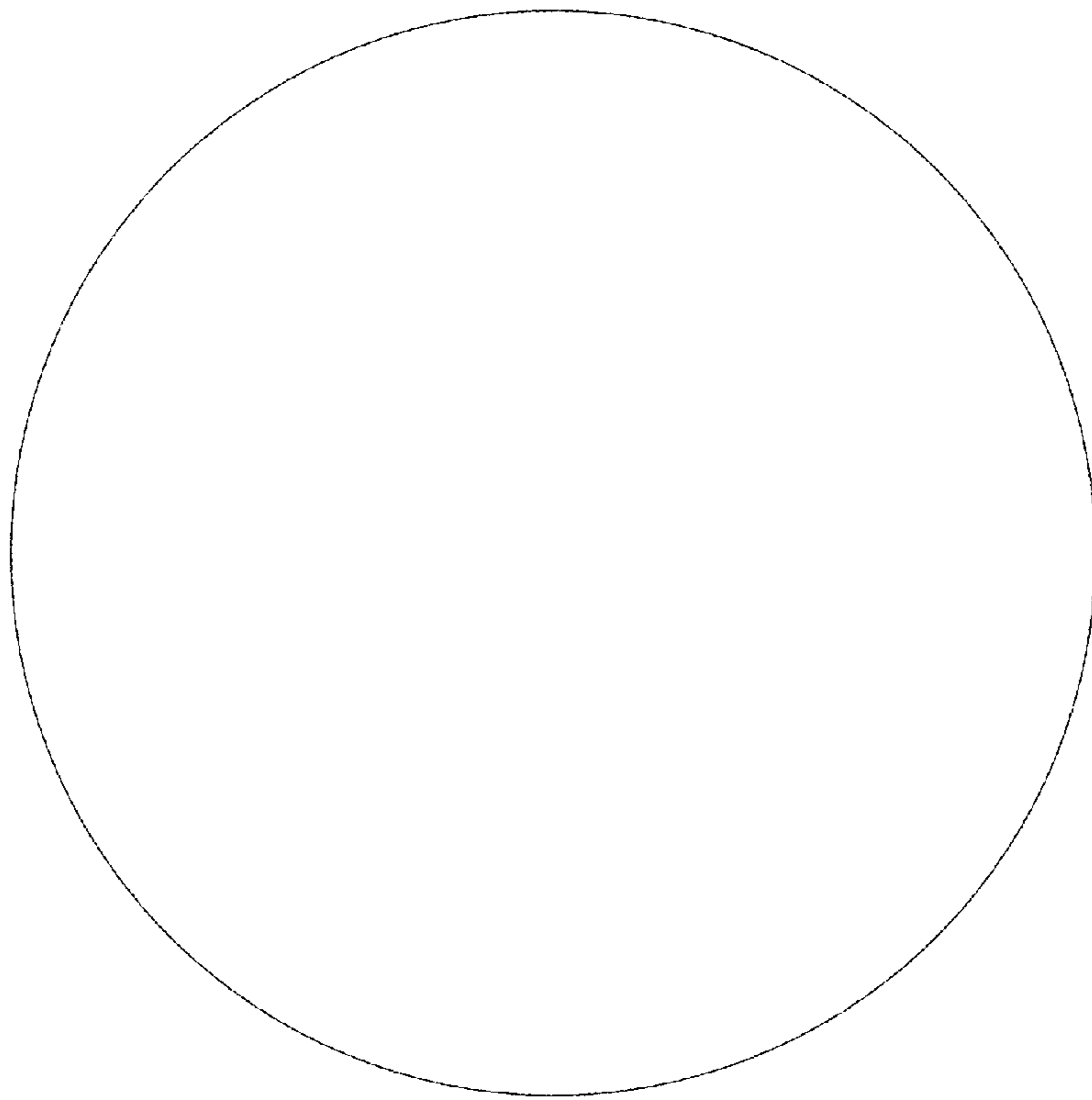


FIG.6

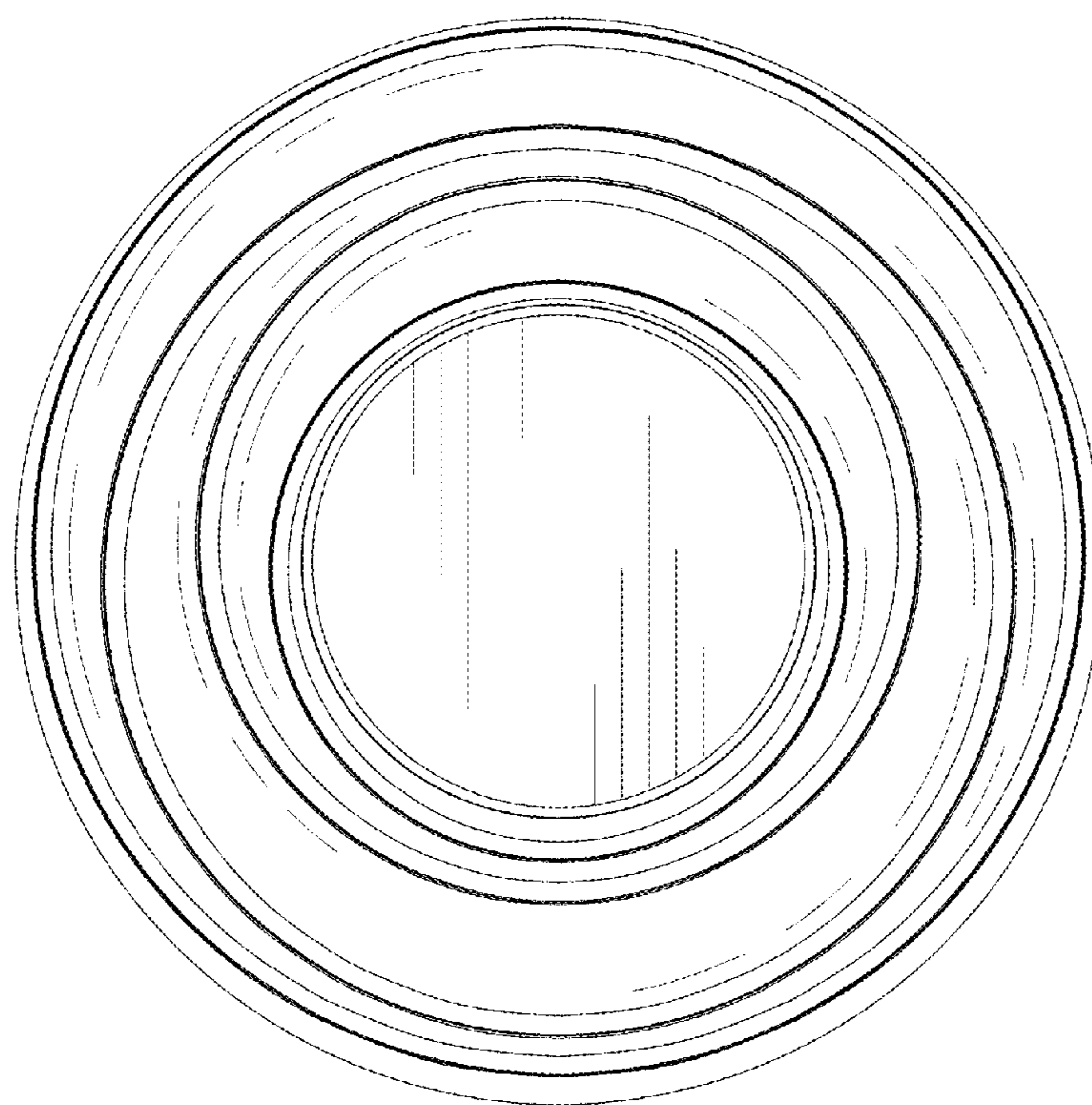


FIG.7

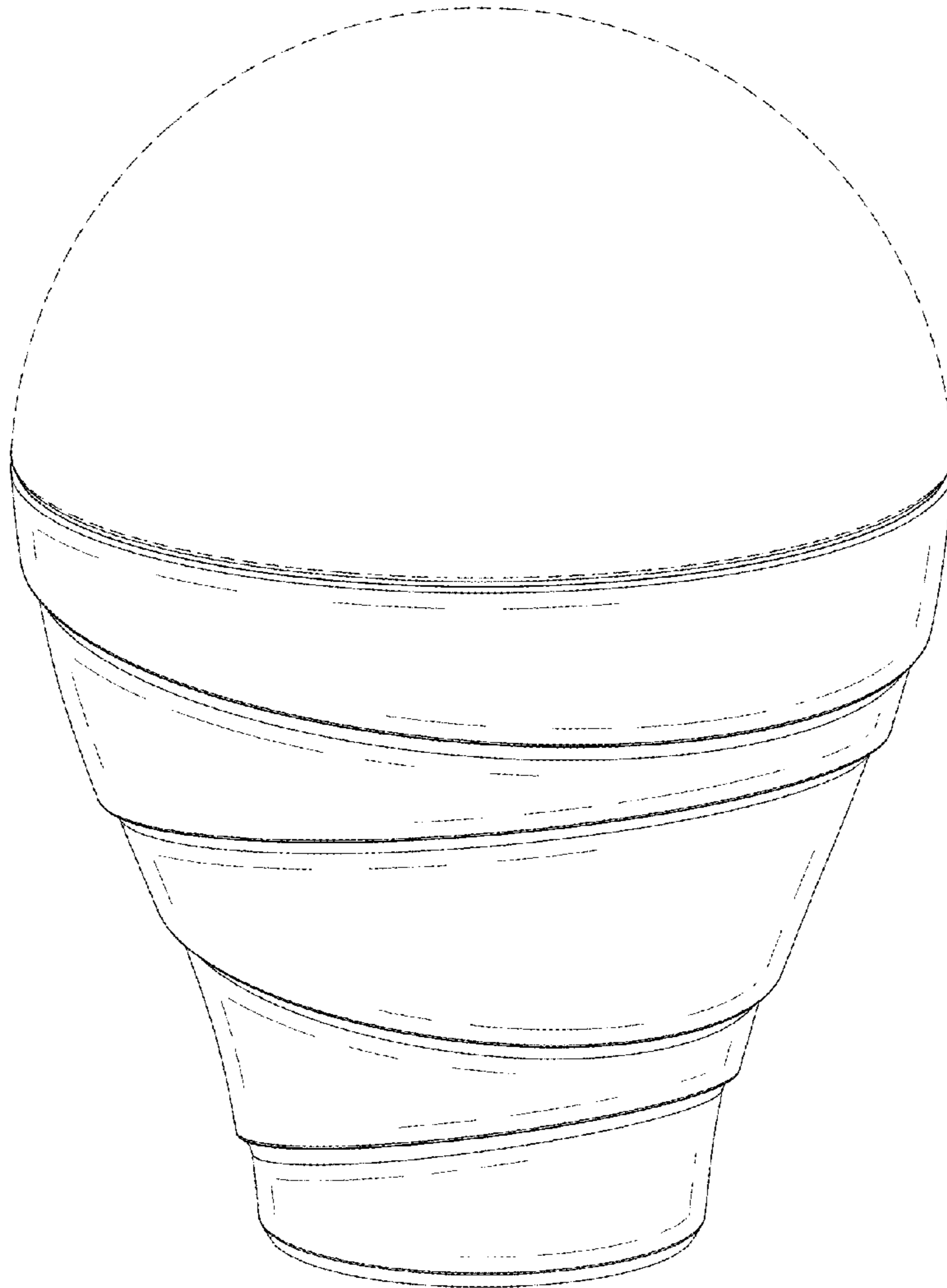


FIG. 8