

US00D761972S

(12) **United States Design Patent**
Kahlig

(10) **Patent No.:** **US D761,972 S**
(45) **Date of Patent:** **** Jul. 19, 2016**

- (54) **CONCRETE WALL PANEL WITH VENTILATION**
- (71) Applicant: **James R. Kahlig**, Coldwater, OH (US)
- (72) Inventor: **James R. Kahlig**, Coldwater, OH (US)
- (**) Term: **14 Years**
- (21) Appl. No.: **29/525,089**
- (22) Filed: **Apr. 27, 2015**
- (51) **LOC (10) Cl.** **25-01**
- (52) **U.S. Cl.**
USPC **D25/138**
- (58) **Field of Classification Search**
USPC D25/112, 113, 115, 117, 119, 126, 138,
D25/158, 58, 60, 136, 142-143, 153, 159,
D25/163; D9/636, 745; D23/261, 388, 260,
D23/393, 411; D7/402, 408
CPC E04B 1/00; E04B 2/00; E04B 2/72;
E04B 9/008; E04B 9/00; E04F 13/007;
F23G 2203/10; F23G 2203/204
See application file for complete search history.

(56) **References Cited**

U.S. PATENT DOCUMENTS

D446,850 S *	8/2001	Arlotta	D23/393
D449,680 S *	10/2001	Arlotta	D23/393
D453,375 S *	2/2002	Peng	D23/370
D470,233 S *	2/2003	Sarkinen	D23/388
D496,992 S *	10/2004	Lafond	D23/388
D567,352 S *	4/2008	Hollingsworth	D23/388
D567,354 S *	4/2008	Jacak	D23/388
D567,355 S *	4/2008	Zakula	D23/388
D567,931 S *	4/2008	Hollingsworth	D23/388
D567,932 S *	4/2008	Hollingsworth	D23/388

D567,933 S *	4/2008	Hollingsworth	D23/388
D568,460 S *	5/2008	Jacak	D23/388
D569,492 S *	5/2008	Zakula	D23/388
D575,386 S *	8/2008	Jacak	D23/371
D635,238 S *	3/2011	Zakula	D23/388
D687,524 S *	8/2013	Heiser	D23/261
D710,000 S *	7/2014	Moreno	D23/386
D717,595 S *	11/2014	Knoll	D7/402
D718,434 S *	11/2014	Diamond	D23/388
D719,253 S *	12/2014	Francescon	D23/388
D720,837 S *	1/2015	Bernoti	D23/260
D745,652 S *	12/2015	Berkman	D23/411
D746,725 S *	1/2016	Stopka	D12/163

* cited by examiner

Primary Examiner — Rosemary K Tarcza

Assistant Examiner — James Thorn, Sr.

(74) *Attorney, Agent, or Firm* — Jacox, Meckstroth & Jenkins

(57) **CLAIM**

The ornamental design for a concrete wall panel with ventilation, as shown and described.

DESCRIPTION

FIG. 1 is a perspective view of a concrete wall panel with ventilation showing my new design;

FIG. 2 is a rear view thereof;

FIG. 3 is a top view thereof, the bottom view being the same;

FIG. 4 is an end view thereof, the opposite end view being the same;

FIG. 5 is a front view thereof;

FIG. 6 is a horizontal cross-sectional view taken generally on the line 6-6 of FIG. 5; and,

FIG. 7 is a vertical cross-sectional view taken generally on the line 7-7 of FIG. 5.

1 Claim, 2 Drawing Sheets

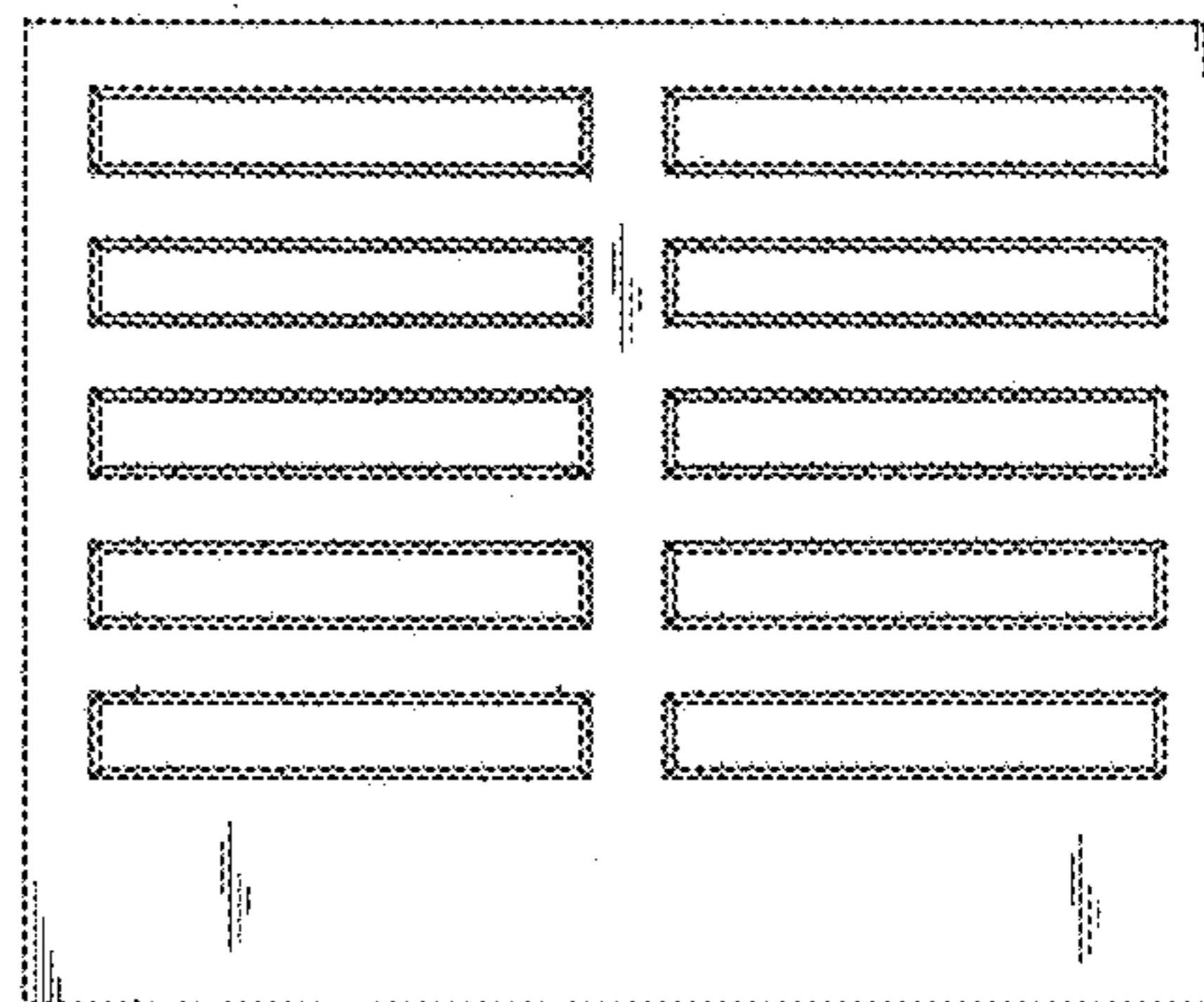
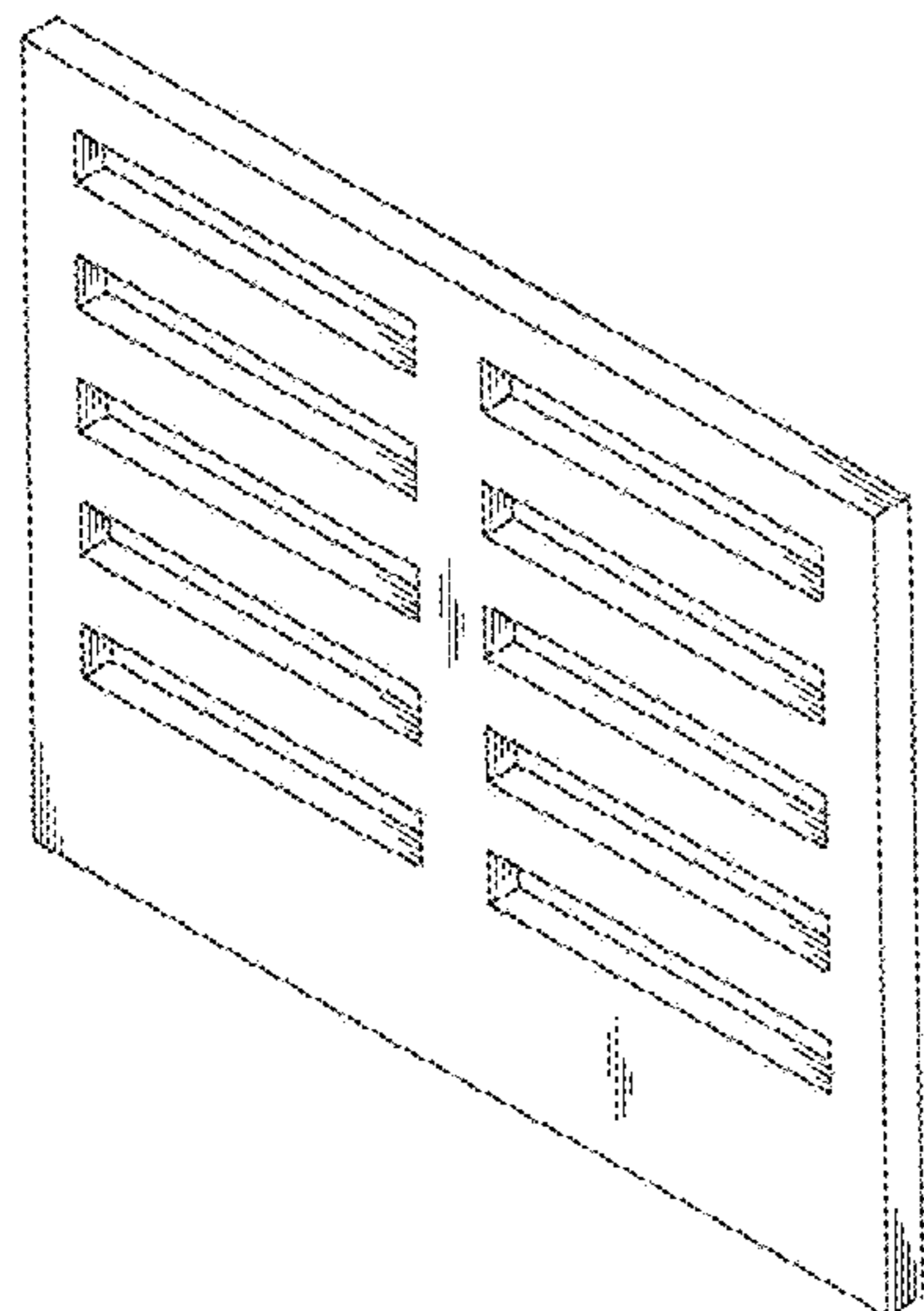


FIG. 1

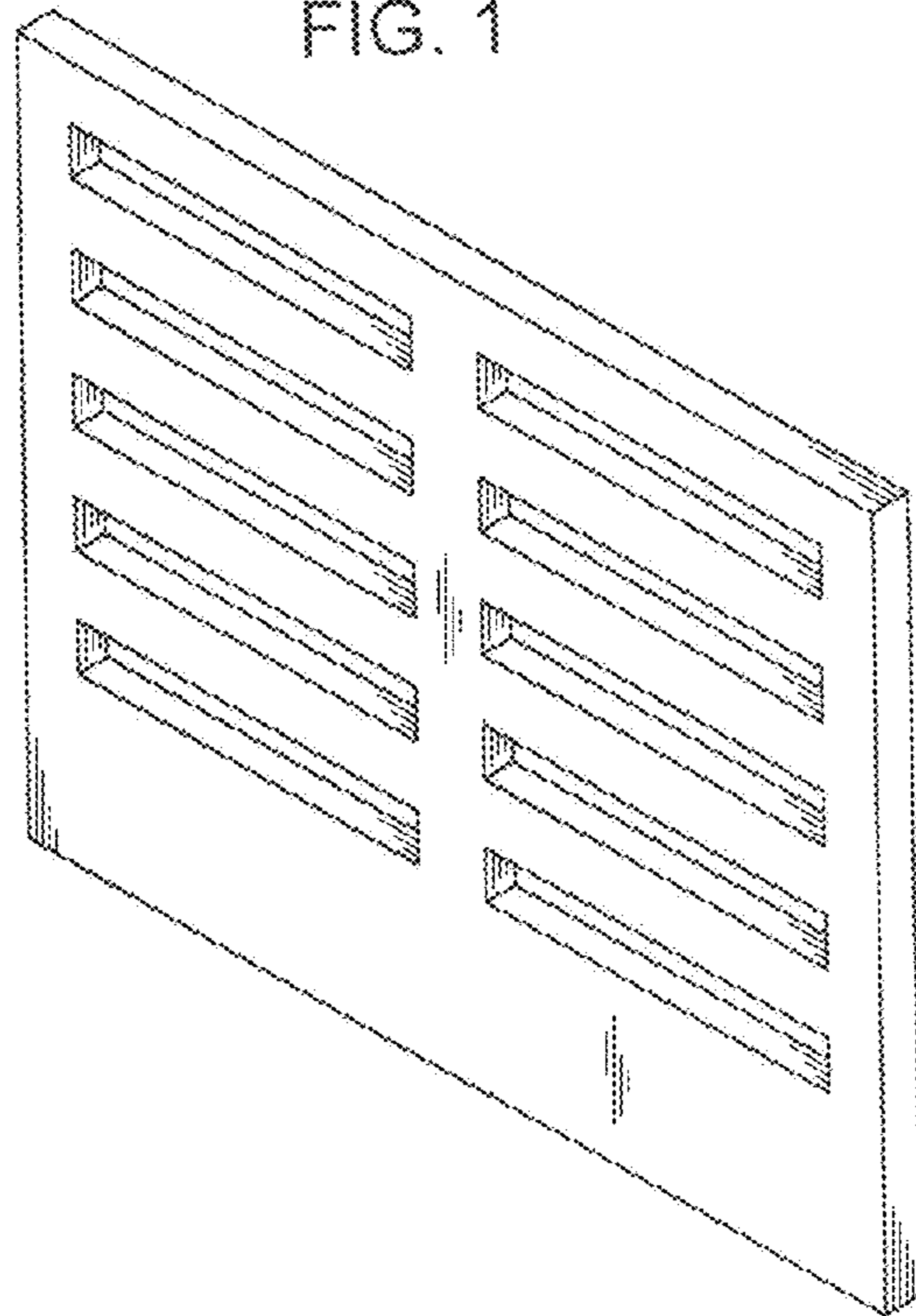


FIG. 2

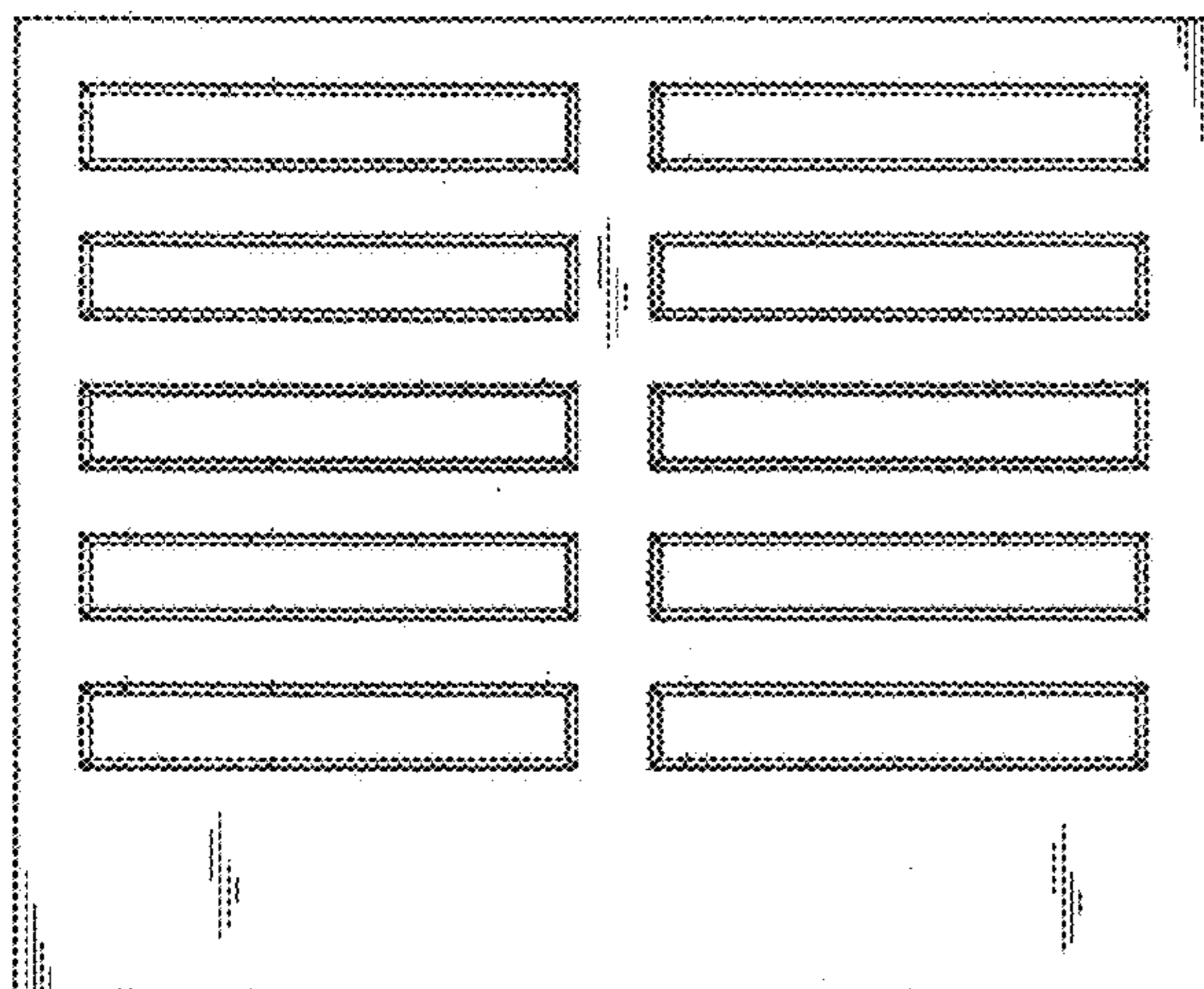


FIG. 3

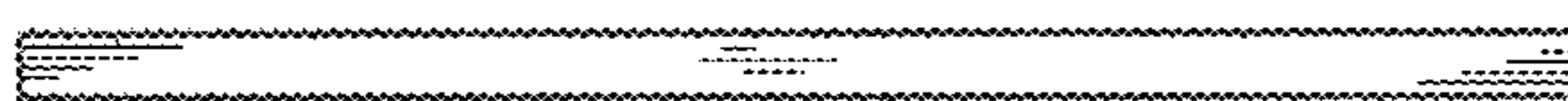


FIG. 4

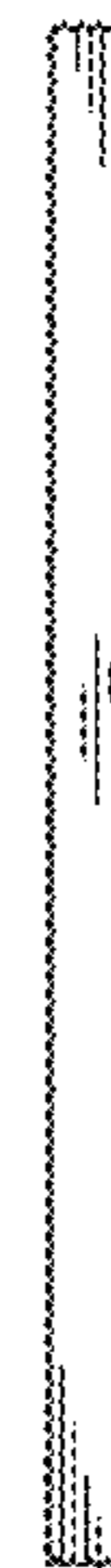


FIG. 5

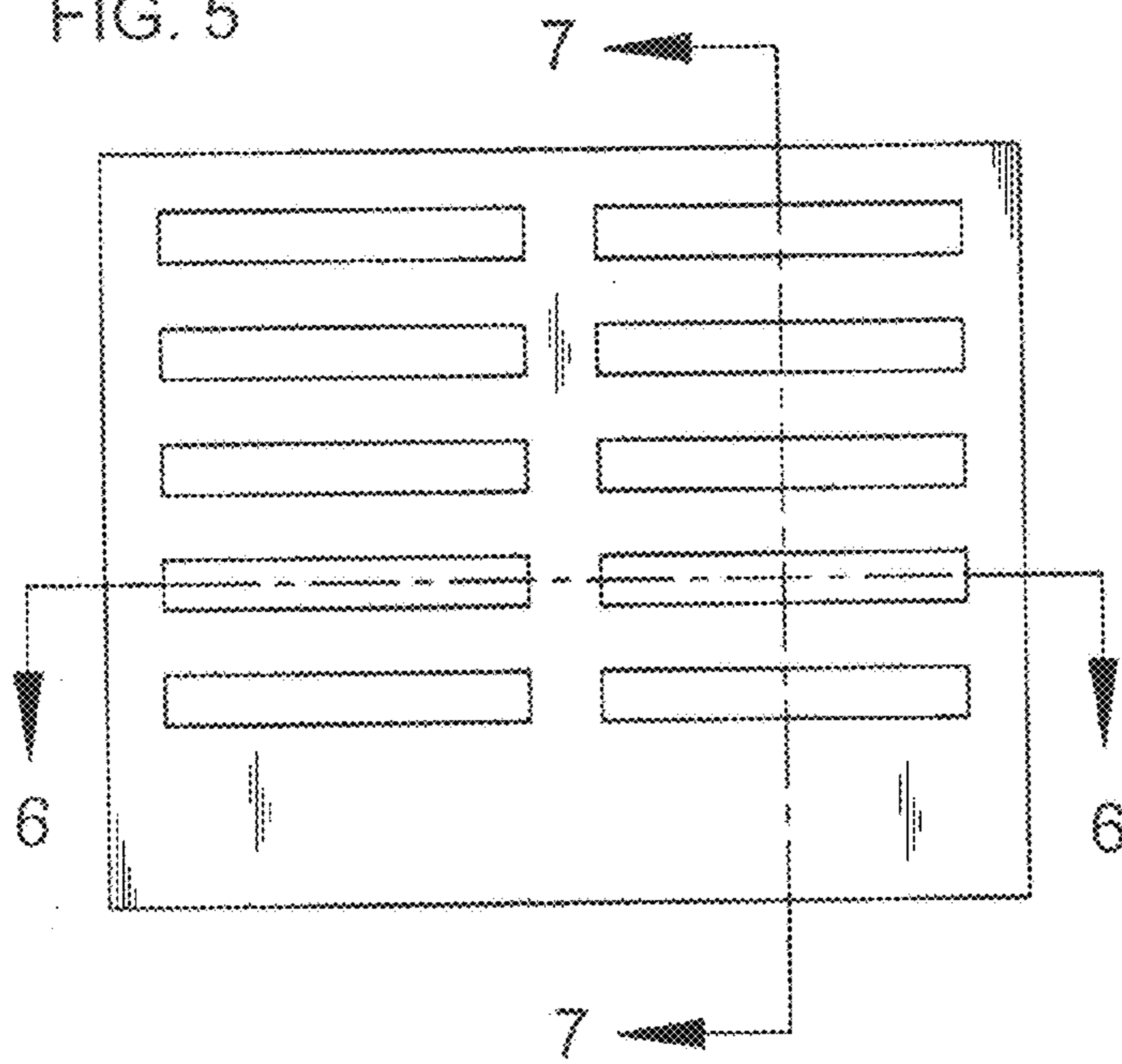


FIG. 7



FIG. 6

