



US00D761971S

(12) **United States Design Patent**
Apanovich et al.

(10) **Patent No.:** **US D761,971 S**
(45) **Date of Patent:** **** Jul. 19, 2016**

- (54) **CASING BEAD WITH BACKING STRIP**
- (71) Applicant: **Clarkwestern Dietrich Building Systems LLC**, West Chester, OH (US)
- (72) Inventors: **Nick Joseph Apanovich**, Miami, FL (US); **Erenio Reyes**, Miami, FL (US); **Jeremy Ryan Smith**, Carrollton, VA (US)
- (73) Assignee: **CLARKWESTERN DIETRICH BUILDING SYSTEMS LLC**, West Chester, OH (US)

- 5,946,870 A * 9/1999 Bifano E04B 1/765 52/254
- 5,970,671 A * 10/1999 Bifano E04B 1/765 52/254
- 6,070,374 A * 6/2000 Bifano E04C 3/005 52/255
- 6,298,609 B1 * 10/2001 Bifano E04B 1/765 52/254
- D471,991 S * 3/2003 Maylon D25/119
- 6,698,144 B1 * 3/2004 Larson E04B 1/765 52/254
- D518,186 S * 3/2006 Zarb D25/119
- 7,526,897 B2 5/2009 Collins
- D631,175 S * 1/2011 Munoz Escribano D25/119

(Continued)

- (**) Term: **15 Years**
- (21) Appl. No.: **29/527,926**
- (22) Filed: **May 22, 2015**
- (51) **LOC (10) Cl.** **25-01**
- (52) **U.S. Cl.**
USPC **D25/119**
- (58) **Field of Classification Search**
USPC D25/114, 119; 52/254-257, 293.1, 52/293.3, 264, 265, 267; D20/42, 43, 44; D34/35
CPC E04F 13/00; E04F 13/06; E04F 19/00; E04F 19/02; E04F 21/0038
See application file for complete search history.

(56) **References Cited**

U.S. PATENT DOCUMENTS

- D47,309 S * 5/1915 Terrell D25/119
- RE24,658 E 6/1959 Hollister
- 3,606,714 A 9/1971 Arnett
- 3,754,367 A * 8/1973 O’Konski E04F 13/06 52/364
- 3,782,680 A 1/1974 Hopkins
- 4,038,791 A 8/1977 Atkinson
- 5,073,430 A 12/1991 Aidan
- 5,305,566 A 4/1994 Larkowski
- 5,699,638 A * 12/1997 Maylon E04F 13/06 52/255
- 5,729,939 A * 3/1998 Di Benedetto E04B 1/41 52/293.3

OTHER PUBLICATIONS

U.S. Appl. No. 10/602,198, filed Jun. 24, 2003, by Collins et al.
(Continued)

Primary Examiner — Cynthia Ramirez
Assistant Examiner — Llorellys Martinez-Rivera
(74) *Attorney, Agent, or Firm* — Frost Brown Todd LLC

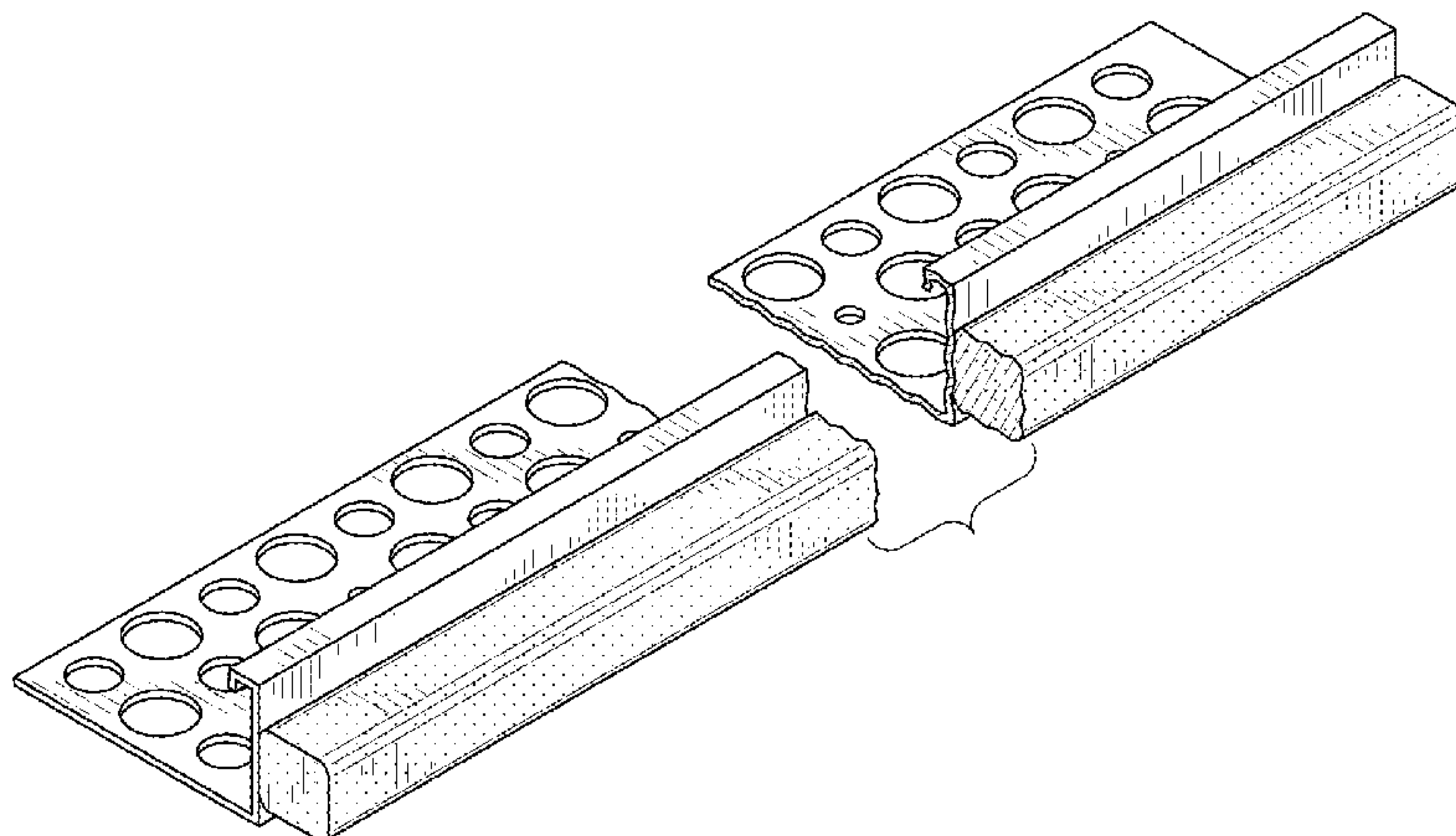
(57) **CLAIM**

The ornamental design for a casing bead with backing strip, as shown and described.

DESCRIPTION

FIG. 1 is a top perspective view of a casing bead with backing strip, showing our new design; FIG. 2 is a bottom perspective view thereof; FIG. 3 is a left elevational view thereof; FIG. 4 is a right elevational view thereof; FIG. 5 is a back elevational view thereof; FIG. 6 is a front elevational view thereof; FIG. 7 is a top elevational view thereof; and, FIG. 8 is a bottom elevational view thereof. The casing bead with backing strip is shown with a symbolic break in its length. The appearance of any portion of the casing bead with backing strip between the break lines forms no part of the claimed design. The stippling in FIGS. 1-2 and 4-8 indicates a different material for the backing strip than the casing bead.

1 Claim, 4 Drawing Sheets



(56)

References Cited

U.S. PATENT DOCUMENTS

7,874,123	B2	1/2011	Mariarz	
D693,483	S *	11/2013	Krieger	D25/119
8,615,944	B2	12/2013	Maziarz	
D750,806	S *	3/2016	Singh	D25/119
2003/0051422	A1	3/2003	Maziarz	
2006/0150553	A1 *	7/2006	Reyes	E04F 13/06 52/393
2008/0263971	A1	10/2008	Maziarz	
2014/0245676	A1	9/2014	Maziarz	
2014/0245677	A1	9/2014	Maziarz	

OTHER PUBLICATIONS

U.S. Appl. No. 11/259,499, filed Oct. 26, 2005, by Maziarz.

Design U.S. Appl. No. 29/527,927, filed May 22, 2015, by Apanovich et al.

"#66N Short Flange Casing Bead", ClarkDietrich, 2015, 1 pg., downloaded Nov. 16, 2015 from <http://www.clarkdietrich.com/products/metal-corner-casing-beads/66n-short-flange-casing-bead>.

"#66N Zinc Short Flange Casing Bead", ClarkDietrich, 2015, 1 pg., downloaded Nov. 16, 2015 from <http://www.clarkdietrich.com/products/zinc-corner-casing-beads/66n-zinc-short-flange-casing-bead>.

"#66X Expanded Flange Casing Bead", ClarkDietrich, 2015, 1 pg., downloaded Nov. 16, 2015 from <http://www.clarkdietrich.com/products/metal-corner-casing-beads/66x-expanded-flange-casing-bead>.

"#66X Zinc Expanded Flange Casing Bead", ClarkDietrich, 2015, 1 pg., downloaded Nov. 16, 2015 from <http://www.clarkdietrich.com/products/zinc-corner-casing-beads/66x-zinc-expanded-flange-casing-bead>.

"Angled Casing Beads", Vinyl Corp., 2015, 1 pg., downloaded Nov. 16, 2015 from <http://www.vinylcorp.com/products/stucco-plaster/casing-beads/angled-casing-beads>.

"Archmaker™ Casing Beads", Vinyl Corp., 2015, 1 pg., downloaded Nov. 16, 2015 from <http://www.vinylcorp.com/products/stucco-plaster/casing-beads/archmaker-casing-beads>.

"Archmaker™ Bandmaker™ Casing Beads", Vinyl Corp., 2015, 1 pg., downloaded Nov. 16, 2015 from <http://www.vinylcorp.com/products/stucco-plaster/casing-beads/archmaker-bandmaker-casing-beads>.

"Bandmaker Series Casing Beads", Vinyl Corp., 2015, 1 pg., downloaded Nov. 16, 2015 from <http://www.vinylcorp.com/products/stucco-plaster/casing-beads/bandmaker-series-casing-beads>.

"BM 66 Series 1-Piece Bandmaker", Vinyl Corp., 2015, 1 pg., downloaded Nov. 16, 2015 from <http://www.vinylcorp.com/products/stucco-plaster/casing-beads/bm-66-series-1-piece-bandmaker>.

"Bullnose Casing Beads", Vinyl Corp., 2015, 1 pg., downloaded Nov. 16, 2015 from <http://www.vinylcorp.com/products/stucco-plaster/casing-beads/bullnose-casing-beads>.

"Casing Beads (with Weep Holes for ½" Sheathing)", Vinyl Corp., 2015, 1 pg., downloaded Nov. 16, 2015 from <http://www.vinylcorp.com/products/stucco-plaster/casing-beads/casing-beads-weep-holes-12-sheathing>.

"Casing Beads / Plaster Stops", Vinyl Corp., 2015, 1 pg., downloaded Nov. 16, 2015 from <http://www.vinylcorp.com/products/stucco-plaster/casing-beads/casing-beads-plaster-stops>.

"Casing Beads with Reveal", Vinyl Corp., 2015, 1 pg., downloaded Nov. 16, 2015 from <http://www.vinylcorp.com/products/stucco-plaster/casing-beads/casing-beads-reveal>.

"Casing Beads with Weep Holes", Vinyl Corp., 2015, 1 pg., downloaded Nov. 16, 2015 from <http://www.vinylcorp.com/products/stucco-plaster/casing-beads/casing-beads-weep-holes>.

"D-66 Drop Plaster Stop", Vinyl Corp., 2015, 1 pg., downloaded Nov. 16, 2015 from <http://www.vinylcorp.com/products/stucco-plaster/casing-beads/d-66-drop-plaster-stop>.

"Double Ground (Bandmaker™ Series)", Vinyl Corp., 2015, 1 pg., downloaded Nov. 16, 2015 from <http://www.vinylcorp.com/products/stucco-plaster/casing-beads/double-ground-bandmaker-series>.

"Long Flange Casing Beads/Plaster Stops", Vinyl Corp., 2015, 1 pg., downloaded Nov. 16, 2015 from <http://www.vinylcorp.com/products/stucco-plaster/casing-beads/long-flange-casing-beads-plaster-stops>.

"Step Bead", Vinyl Corp., 2015, 2 pgs., downloaded Nov. 16, 2015 from <http://www.vinylcorp.com/products/stucco-plaster/casing-beads/step-bead>.

"Vinyl Casing Bead/Plaster Stop", ClarkDietrich, 2015, 1 pg., downloaded Nov. 16, 2015 from <http://www.clarkdietrich.com/products/vinyl-corner-casing-beads/vinyl-casing-beads-plaster-stop>.

"XL Long Flange Casing Beads/Plaster Stops", Vinyl Corp., 2015, 1 pg., downloaded Nov. 16, 2015 from <http://www.vinylcorp.com/products/stucco-plaster/casing-beads/xl-long-flange-casing-beads-plaster-stops>.

"F Beads", Vinyl Corp., 2015, 1 pg., downloaded Jan. 28, 2016 from <http://www.vinylcorp.com/products/drywall-veneer/beads-trims/f-beads>.

"J Beads", Vinyl Corp., 2015, 1 pg., downloaded Jan. 28, 2016 from <http://www.vinylcorp.com/products/drywall-veneer/beads-trims/j-beads>.

"L Beads (L-Bead Perforated)", Vinyl Corp., 2015, 1 pg., downloaded Jan. 28, 2016 from <http://www.vinylcorp.com/products/drywall-veneer/beads-trims/l-beads-l-bead-perforated>.

"#66X Expanded Flange Casing Bead", ClarkDietrich, 2015, 1 pg., downloaded Nov. 16, 2015 from <http://www.clarkdietrich.com/products/metal-corner-casing-beads/66x-expanded-flange-casing-bead>.

"#701A/#801A Zinc J-Trim", ClarkDietrich, 2015, 1 pg., downloaded Jan. 28, 2016 from <http://www.clarkdietrich.com/products/zinc-veneer-plaster-beads-trims/701a-801a-zinc-j-trim>.

"#701A/#801A J-Trim", ClarkDietrich, 2015, 1 pg., downloaded Feb. 16, 2016 from <http://www.clarkdietrich.com/products/metal-veneer-plaster-beads-trims/701a-801a-j-trim>.

"#701B/#801B L-Trim", ClarkDietrich, 2015, 1 pg., downloaded Feb. 16, 2016 from <http://www.clarkdietrich.com/products/metal-veneer-plaster-beads-trims/701b-801b-l-trim>.

"#701B/#801B Zinc L-Trim", ClarkDietrich, 2015, 1 pg., downloaded Jan. 28, 2016 from <http://www.clarkdietrich.com/products/zinc-veneer-plaster-beads-trims/701b-801b-zinc-l-trim>.

"2" J-Weep Low Back", ClarkDietrich, 2015, 1 pg., downloaded Jan. 28, 2016 from <http://www.clarkdietrich.com/products/metal-weep-sill-screeds/2-j-weep-low-back>.

"3-½" J-Weep High Back", ClarkDietrich, 2015, 1 pg., downloaded Jan. 28, 2016 from <http://www.clarkdietrich.com/products/metal-weep-sill-screeds/3-1-2-j-weep-high-back>.

"Adjustable Corner Trim", Vinyl Corp., 2015, 1 pg., downloaded Jan. 28, 2016 from <http://www.vinylcorp.com/products/drywall-veneer/beads-trims/adjustable-corner-trim>.

"Ceiling Trim Surface Mount (L-Bead Perforated)", Vinyl Corp., 2015, 1 pg., downloaded Jan. 28, 2016 from <http://www.vinylcorp.com/products/drywall-veneer/beads-trims/ceiling-trim-surface-mount-1-bead-perforated>.

"Ceiling Trims (L-Bead Perforated)", Vinyl Corp., 2015, 1 pg., downloaded Jan. 28, 2016 from <http://www.vinylcorp.com/products/drywall-veneer/beads-trims/ceiling-trims-1-bead-perforated>.

"DEFS 45 Degree L-Bead", Vinyl Corp., 2015, 1 pg., downloaded Jan. 28, 2016 from <http://www.vinylcorp.com/products/eifs-defs/defs-1-beads/defs-45-degree-1-bead>.

"DEFS Casing Beads (w-Drip)", Vinyl Corp., 2015, 1 pg., downloaded Jan. 28, 2016 from <http://www.vinylcorp.com/products/eifs-defs/defs-casing-beads/defs-casing-beads-w-drip>.

"DEFS Casing Beads (w-Weep)", Vinyl Corp., 2015, 1 pg., downloaded Jan. 28, 2016 from <http://www.vinylcorp.com/products/eifs-defs/defs-casing-beads/defs-casing-beads-w-weep>.

"DEFS Casing Beads", Vinyl Corp., 2015, 1 pg., downloaded Jan. 28, 2016 from <http://www.vinylcorp.com/products/eifs-defs/defs-casing-beads>.

"DEFS L Stop Casing Beads (w-Splice)", Vinyl Corp., 2015, 1 pg., downloaded Jan. 28, 2016 from <http://www.vinylcorp.com/products/eifs-defs/defs-1-beads/defs-1-stop-casing-beads-w-splice>.

"DEFS L Stop Casing Beads", Vinyl Corp., 2015, 1 pg., downloaded Jan. 28, 2016 from <http://www.vinylcorp.com/products/eifs-defs/defs-1-beads/defs-1-stop-casing-beads>.

"DEFS Weeped Starter Strip/Casing Beads(w-Drip)", Vinyl Corp., 2015, 1 pg., downloaded Feb. 16, 2016 from <http://www.vinylcorp.com/products/eifs-defs/defs-starter-strip/defs-weeped-starter-strip-casing-beads>.

(56)

References Cited

OTHER PUBLICATIONS

"Drip Casing Bead," Vinyl Corp., 2015, 1 pg. downloaded Jan. 28, 2016 from <http://www.vinylcorp.com/products/eifs-defs/eifs-casing-beads/drip-casing-bead>.

"Female Casing Expansion Joint," ClarkDietrich, 2015, 1 pg. downloaded Jan. 28, 2016 from <http://www.clarkdietrich.com/products/vinyl-expansion-control-joints/female-casing-expansion-joint>.

"Muddable "J" Beads (with removable leg)," Vinyl Corp., 2015, 1 pg. downloaded Jan. 28, 2016 from <http://www.vinylcorp.com/products-drywall-veneer/beads-trims/muddable-j-beads-removable-leg>.

"Muddable "J" Beads," Vinyl Corp., 2015, 1 pg. downloaded Jan. 28, 2016 from <http://www.vinylcorp.com/products-drywall-veneer/beads-trims/muddable-j-beads>.

"Muddable "J" Beads," Vinyl Corp., 2015, 1 pg. downloaded Jan. 28, 2016 from <http://www.vinylcorp.com/products/eifs-defs/defs-j-beads/muddable-j-beads>.

"PB Header Weeped Starter Strip," Vinyl Corp., 2015, 1 pg., downloaded Feb. 16, 2016 from <http://vinylcorp.com/products/eifs-defs/eifs-starter-strips/pb-header-weeped-starter-strip>.

"PB Standard Starter Strip/Casing Beads (3/32" Finish)," Vinyl Corp., 2015, 1 pg., downloaded Feb. 16, 2016 from <http://vinylcorp.com/products/eifs-defs/eifs-starter-strips/pb-standard-starter-strip-casing-beads-332-finish>.

"PB Starter Strip (Back Weep Holes 3/32" Finish)," Vinyl Corp., 2015, 1 pg., downloaded Feb. 16, 2016 from <http://vinylcorp.com/products/eifs-defs/eifs-starter-strips/pb-starter-strip-back-weep-332-finish>.

"PB Starter Strip (Front & Back Weep Holes 3/32" Finish)," Vinyl Corp., 2015, 1 pg., downloaded Feb. 16, 2016 from <http://vinylcorp.com/products/eifs-defs/eifs-starter-strips/pb-starter-strip-front-back-weep-332-finish>.

"PB Starter Strip (Front Weep Holes 3/32" Finish)," Vinyl Corp., 2015, 1 pg., downloaded Feb. 16, 2016 from <http://vinylcorp.com/products/eifs-defs/eifs-starter-strips/pb-starter-strip-front-weep-332-finish>.

"PB Starter Strip/Casing Beads (1/16" Finish)," Vinyl Corp., 2015, 1 pg., downloaded Feb. 16, 2016 from <http://vinylcorp.com/products/eifs-defs/eifs-starter-strips/pb-starter-strip-casing-beads-116-finish>.

"PB Starter Strip/Casing Beads (w-Drip & Weep 1/16" Finish)," Vinyl Corp., 2015, 1 pg., downloaded Feb. 16, 2016 from <http://vinylcorp.com/products/eifs-defs/eifs-starter-strips/pb-starter-strip-casing-beads-w-drip-weep-116-finish>.

"PB Starter Strip/Casing Beads (w-Drip 1/16" Finish)," Vinyl Corp., 2015, 1 pg., downloaded Feb. 16, 2016 from <http://vinylcorp.com/products/eifs-defs/eifs-starter-strips/pb-starter-strip-casing-beads-w-drip-116-finish>.

"PM Casing Bead," Vinyl Corp., 2015, 1 pg. downloaded Jan. 28, 2016 from <http://www.vinylcorp.com/products/eifs-defs/eifs-casing-beads/pm-casing-beads>.

"PM Starter Strip (Reinforced)," Vinyl Corp., 2015, 1 pg., downloaded Feb. 16, 2016 from <http://vinylcorp.com/products/eifs-defs/eifs-starter-strips/pm-starter-strip-reinforced>.

"PM Starter Strip/Casing Beads (w-Front Weep Holes)," Vinyl Corp., 2015, 1 pg., downloaded Feb. 16, 2016 from <http://www.vinylcorp.com/products/eifs-defs/eifs-starter-strips/pm-starter-strip-casing-bead-w-front-weep-holes>.

"PM Starter Strip/Casing Beads," Vinyl Corp., 2015, 1 pg., downloaded Feb. 16, 2016 from <http://vinylcorp.com/products/eifs-defs/eifs-starter-strips/pm-starter-strip-casing-bead>.

"Vinyl Casing Bead/Plaster Stop," ClarkDietrich, 2015, 1 pg., downloaded Nov. 16, 2015 from <http://www.clarkdietrich.com/products/vinyl-corner-casing-beads/vinyl-casing-bead-plaster-stop>.

Letter dated May 20, 2015 to Ryan Smith, Vinyl Corp., from John F.A. Earley III, Esq., Law Offices of Harding, Earley, Follmer & Frailey, P.C., re: Infringement of U.S. Pat. No. 8,615,944 and 7,874,123, 19 pgs.

Letter dated Jun. 9, 2015 to John F.A. Earley, III, Esq., Law Offices of Harding, Earley, Follmer & Frailey, P.C., from Ann Schoen, Esq., Frost Brown Todd LLC, re: U.S. Pat. No. 8,615,944 and 7,874,123, 5 pgs.

Letter dated Mar. 10, 2016 to Ann Schoen, Esq., Frost Brown Todd LLC, from M. Joseph Clement, Esq., Wisler Pearlstine, LLP, re: EZ Bead U.S. Pat. Nos. 8,615,944; 7,874,123; and 9,279,247 and U.S. Appl. No. 1/259,499, 16 pgs.

Letter dated Mar. 25, 2016 to M. Joseph Clement, Esq., Wisler Pearlstine, LLP, from Ann Schoen, Esq., Frost Brown Todd LLC, re: U.S. Pat. Nos. 9,279,247; 8,615,944; and 7,874,123, 2 pgs.

* cited by examiner

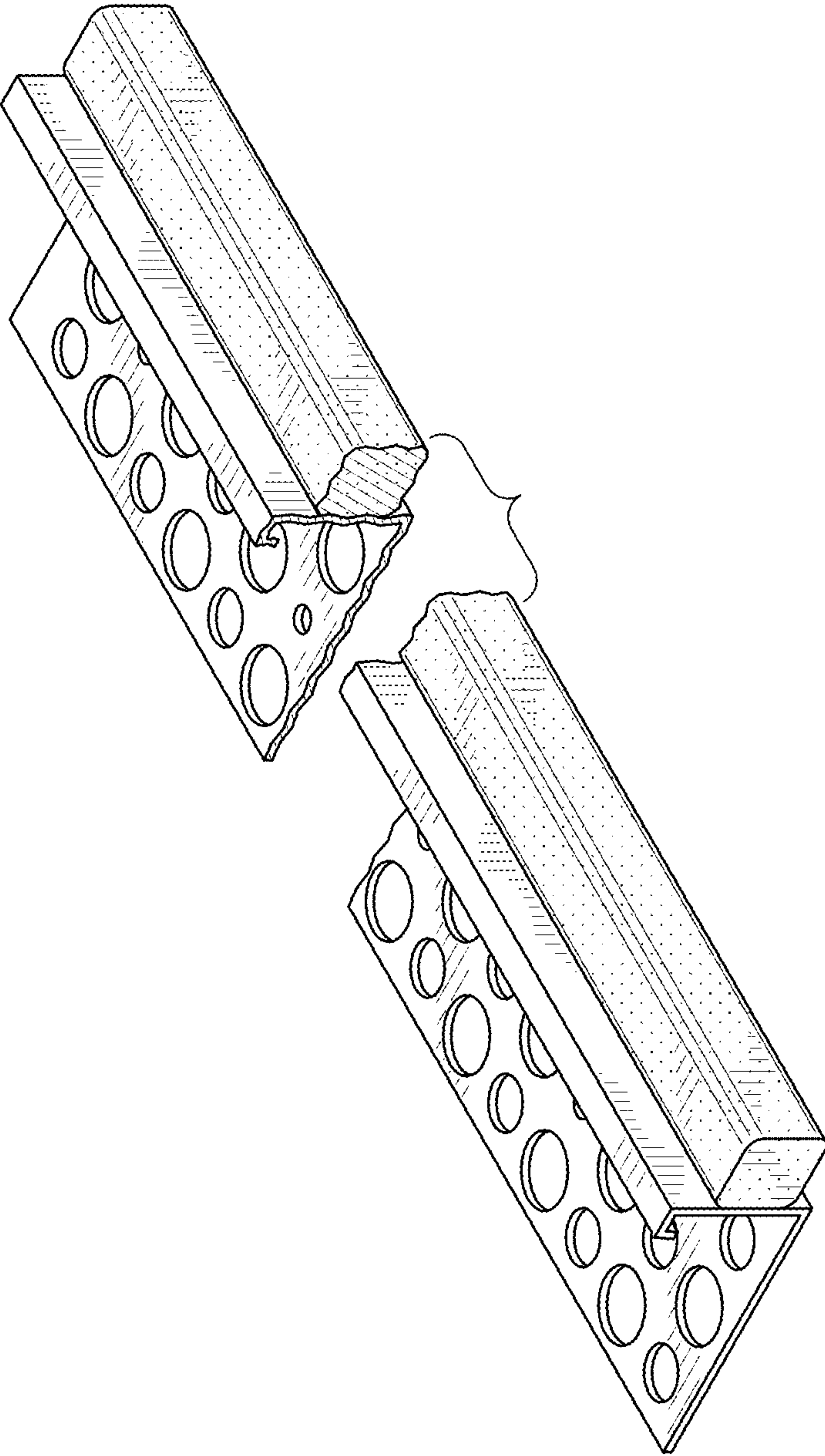


FIG. 1

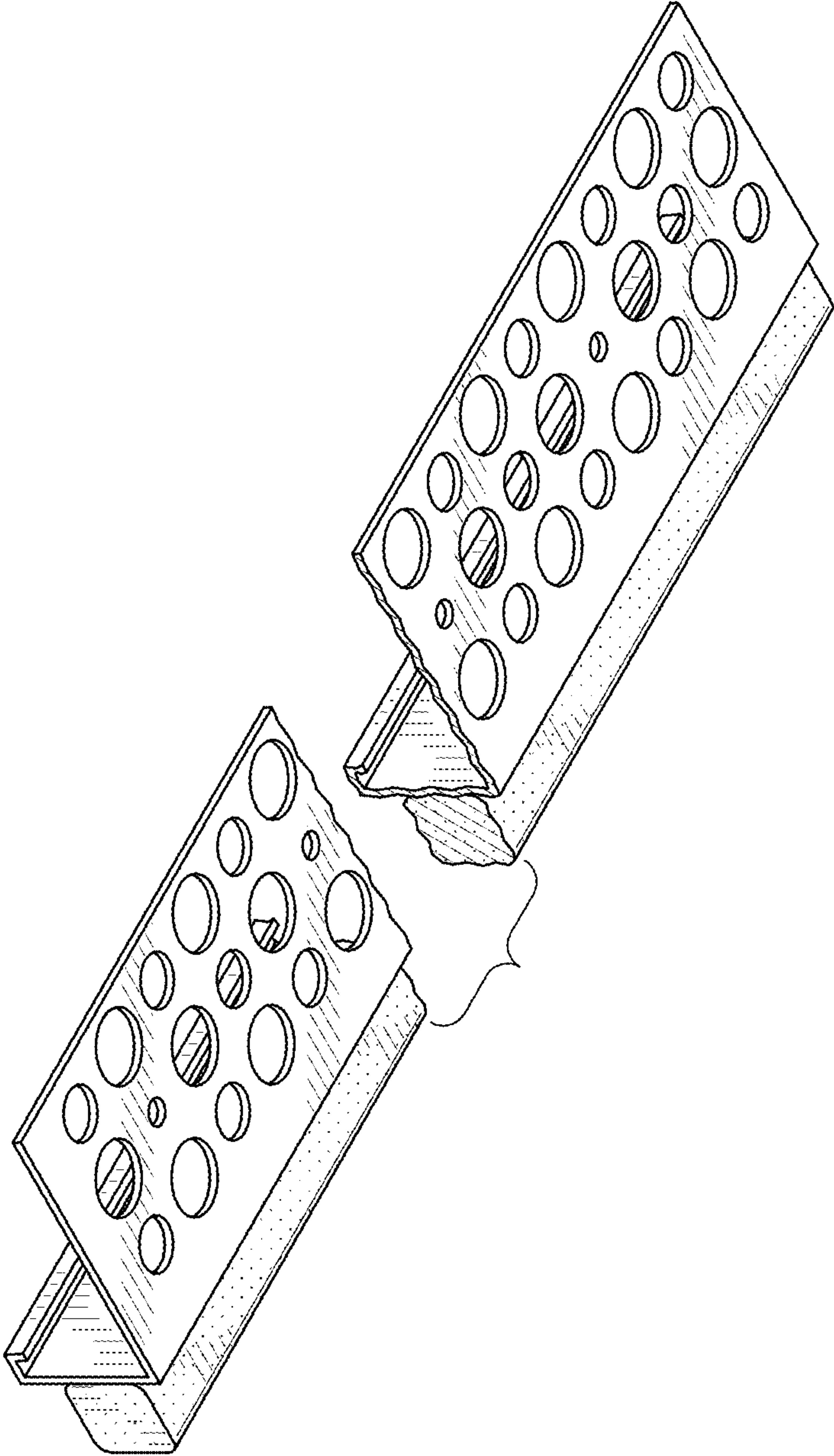


FIG. 2

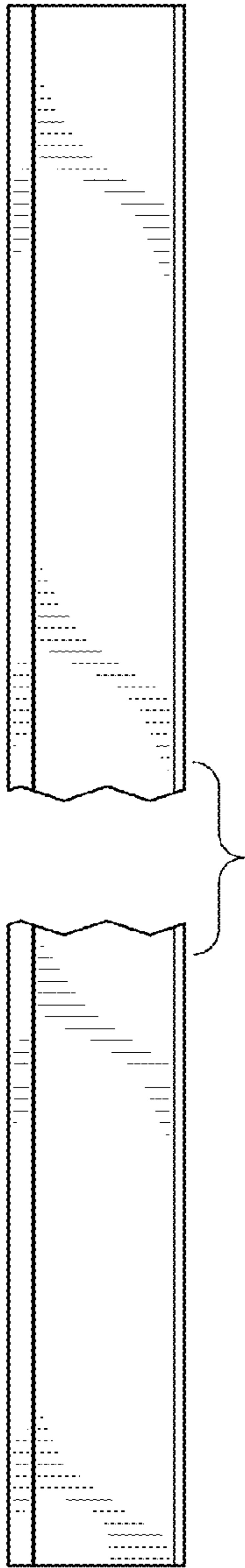


FIG. 3

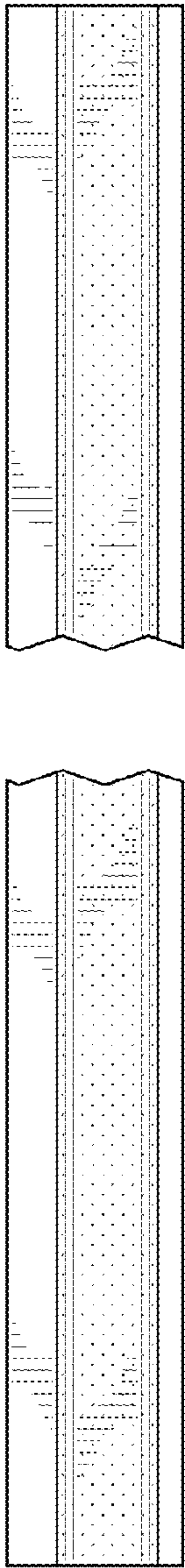


FIG. 4



FIG. 5

FIG. 6

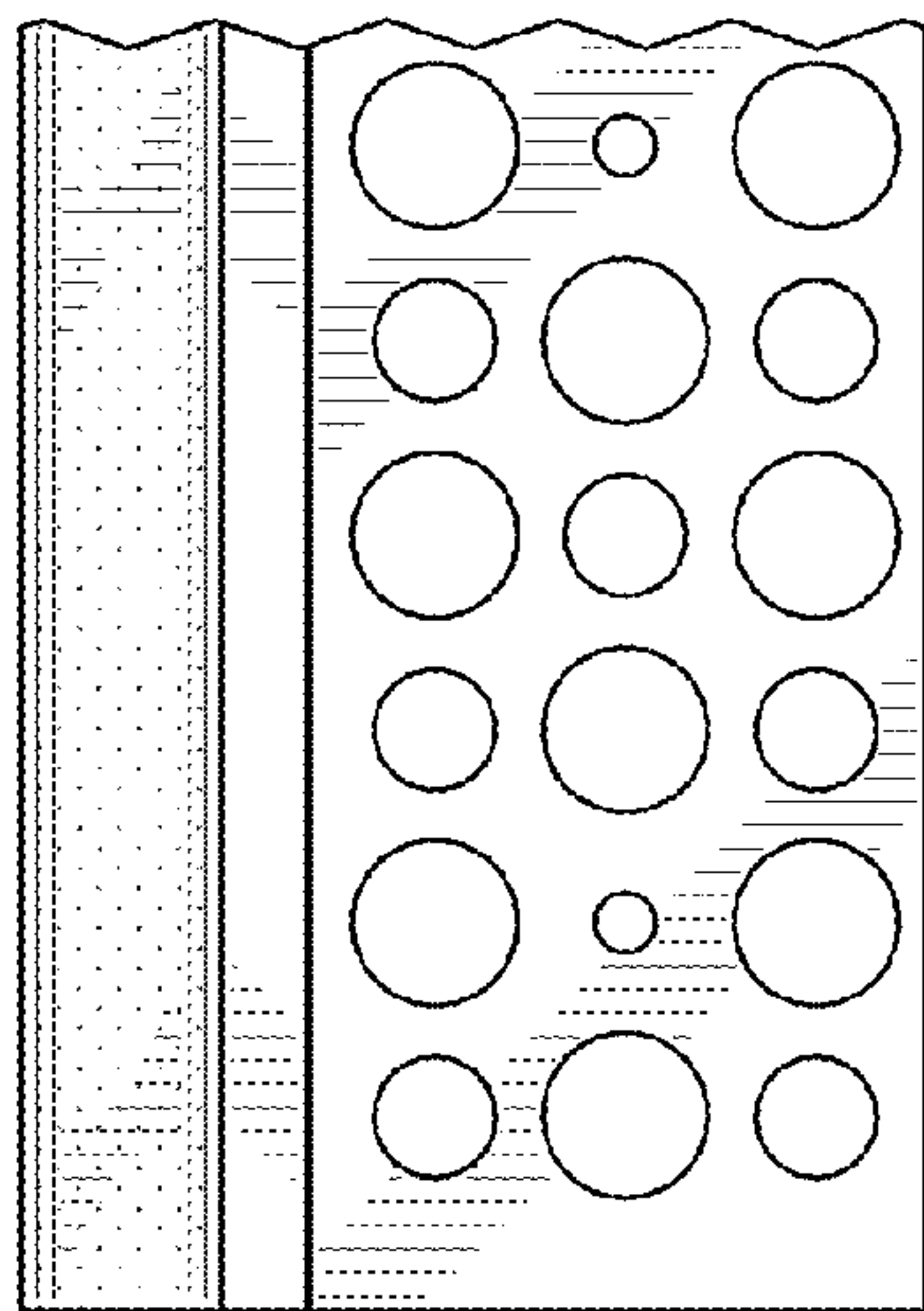
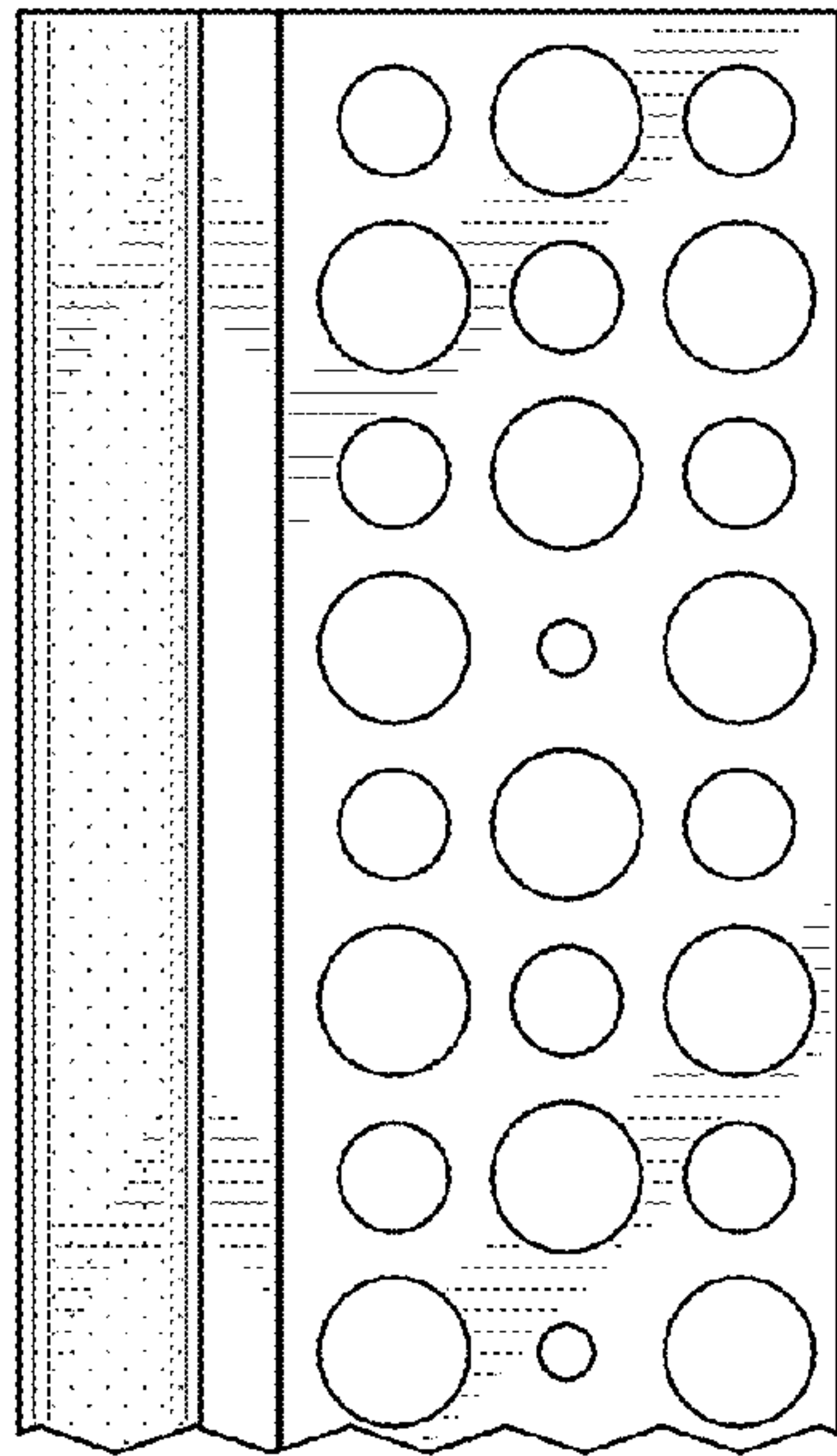


FIG. 7

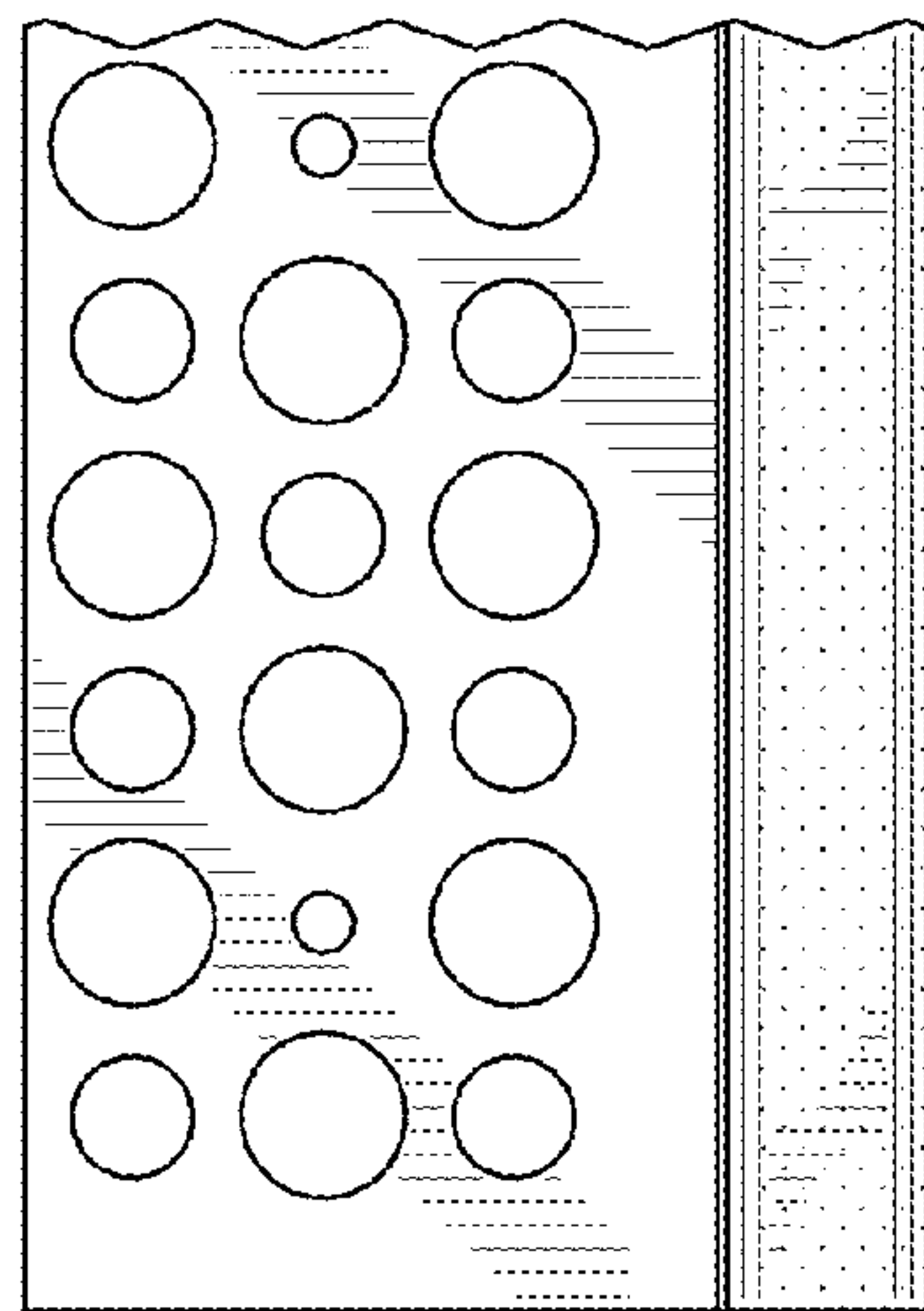
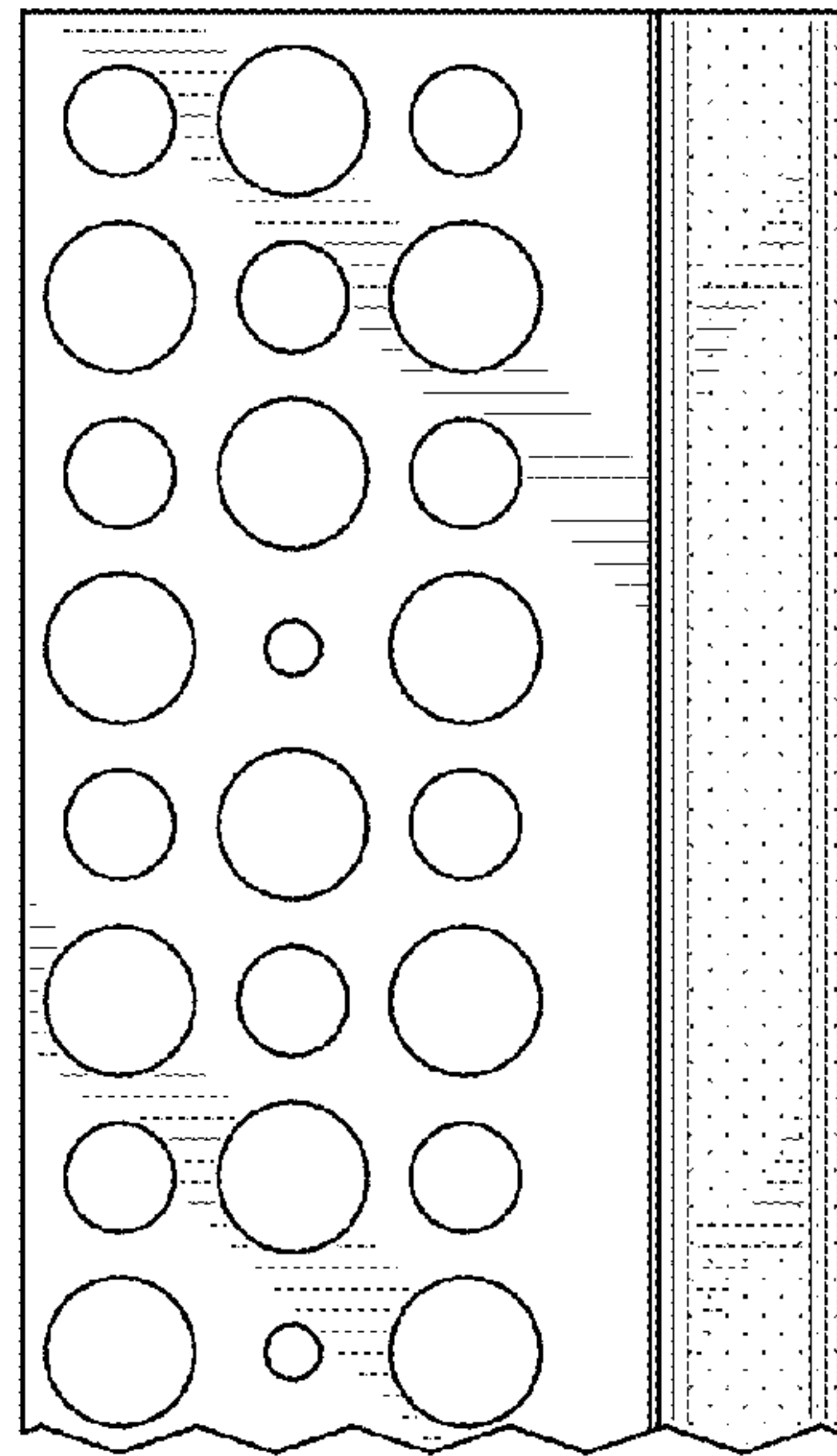


FIG. 8